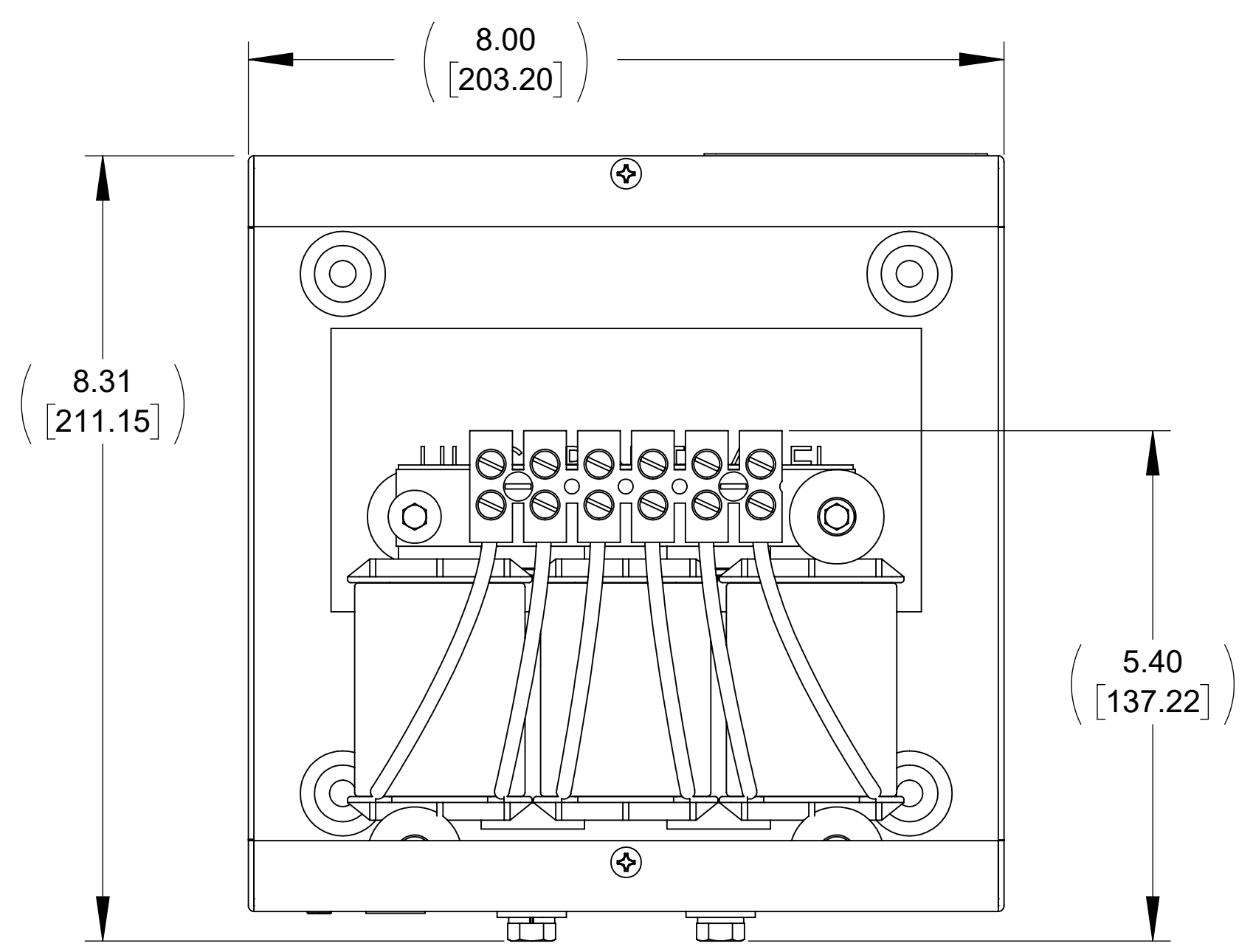


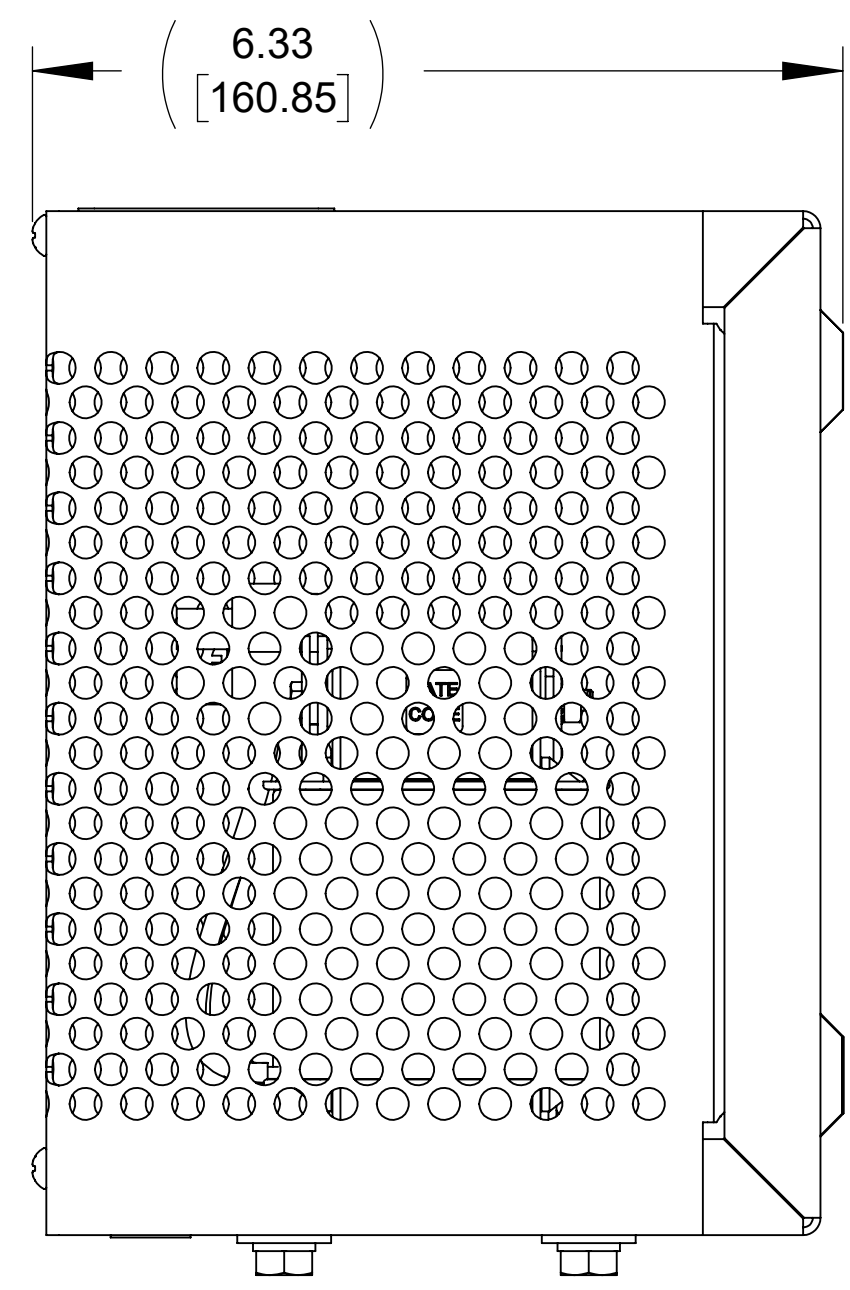
APPROX. WEIGHT (LBS)
18

ECO No	DESCRIPTION	REV BY	DATE

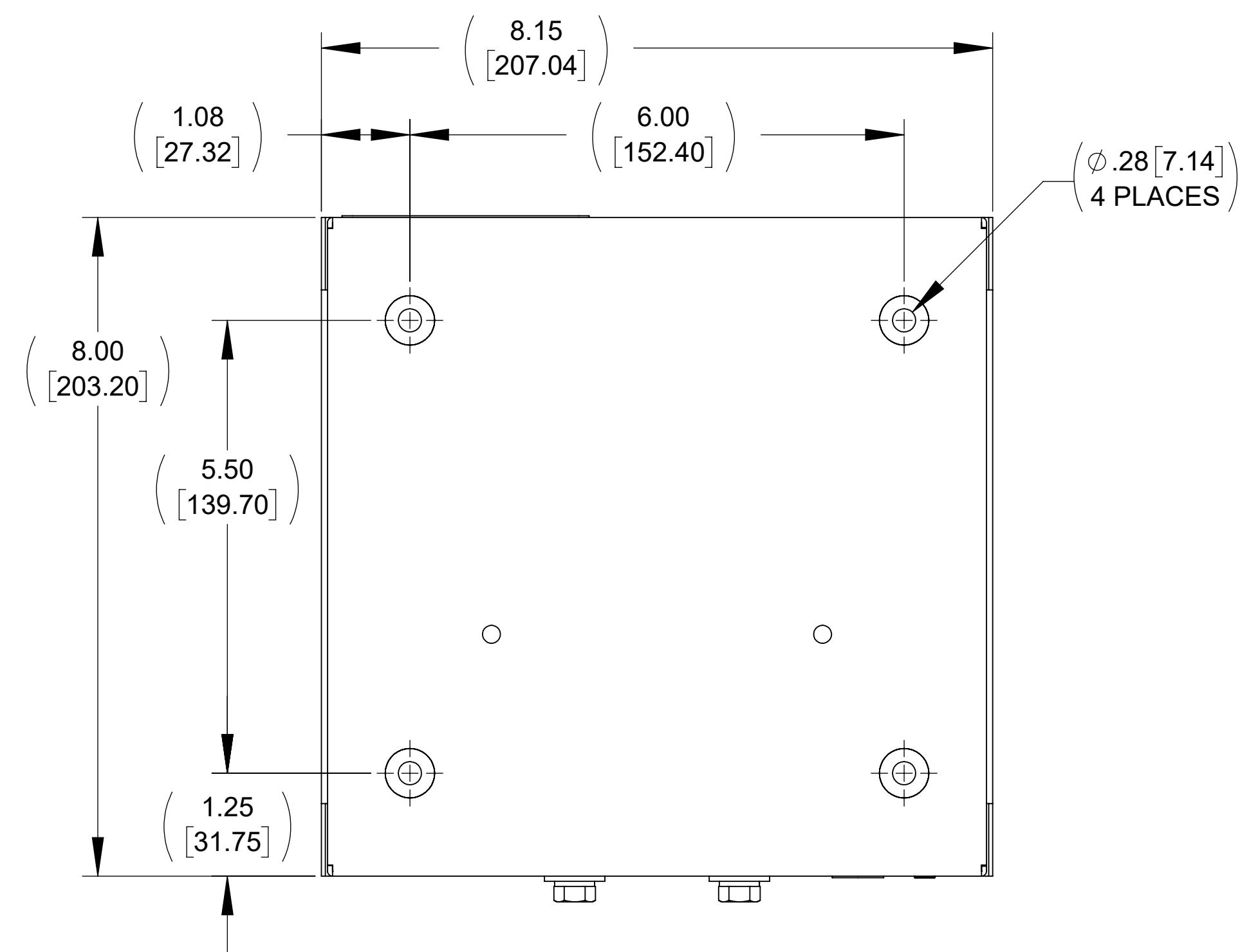
CRITICAL TO QUALITY CLASSIFICATION TABLE				
P-PROPERTY FIT/ASSEMBLY F-IDENTIFIABLE CLASSIFICATIONS S-ENGINEERING MANUFACTURING REQUIREMENTS R-REGULATORY REQUIREMENT/COMPLIANCE MANDATORY				
COMMENTS	DRAWING ZONE	Ⓟ	Ⓡ	Ⓢ
ROHS	G1-H1			X



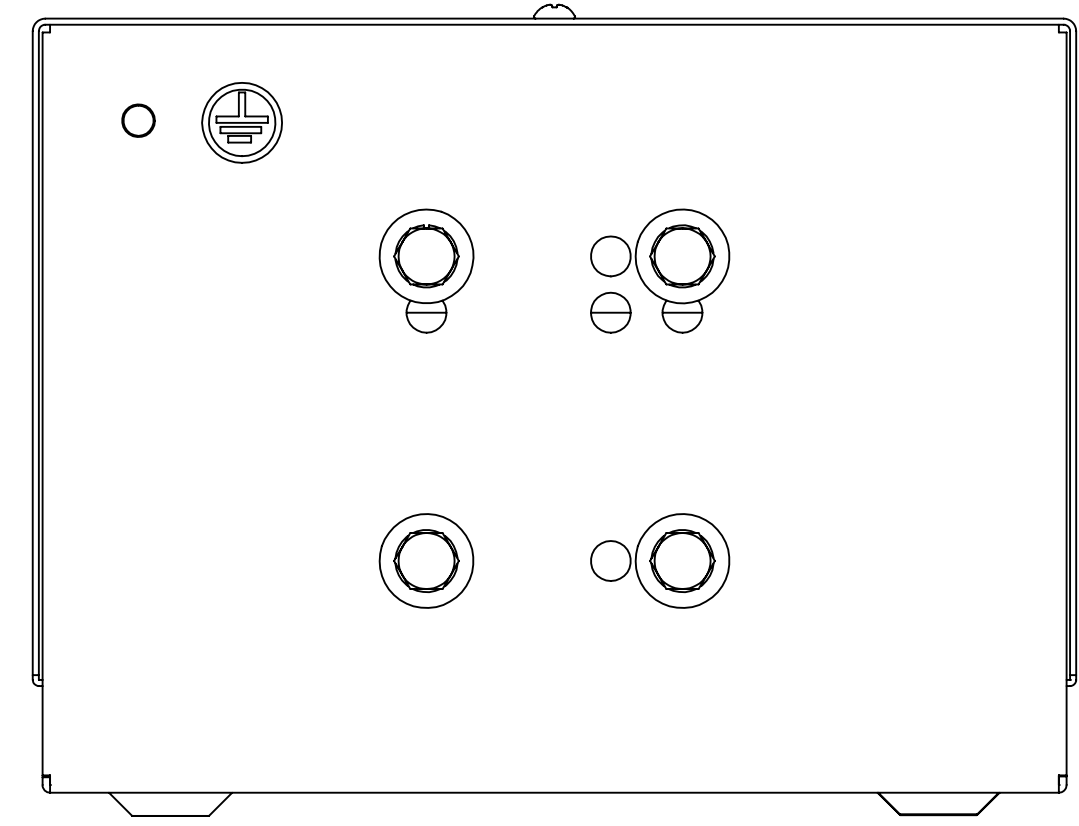
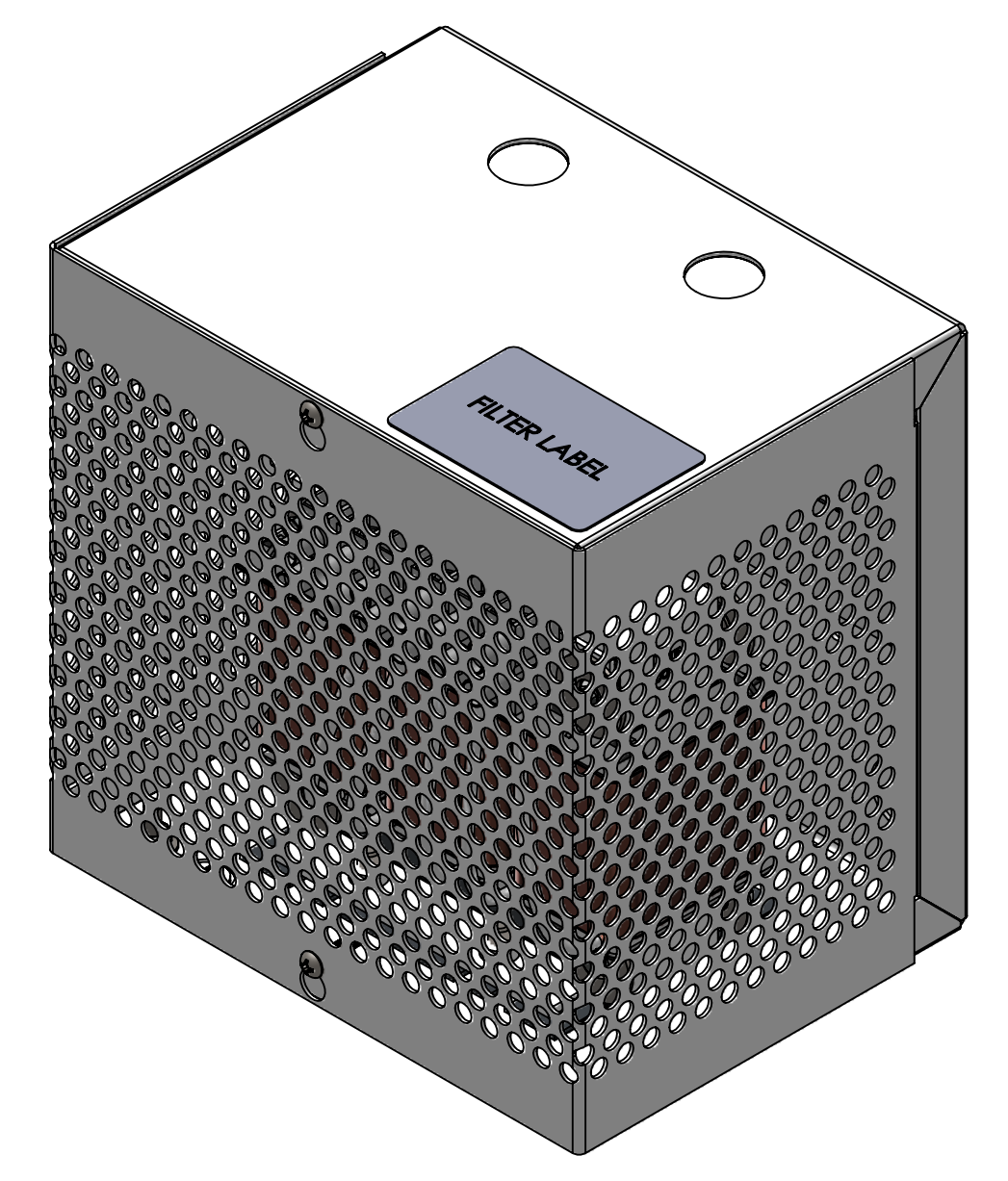
FRONT VIEW (PANELS REMOVED)



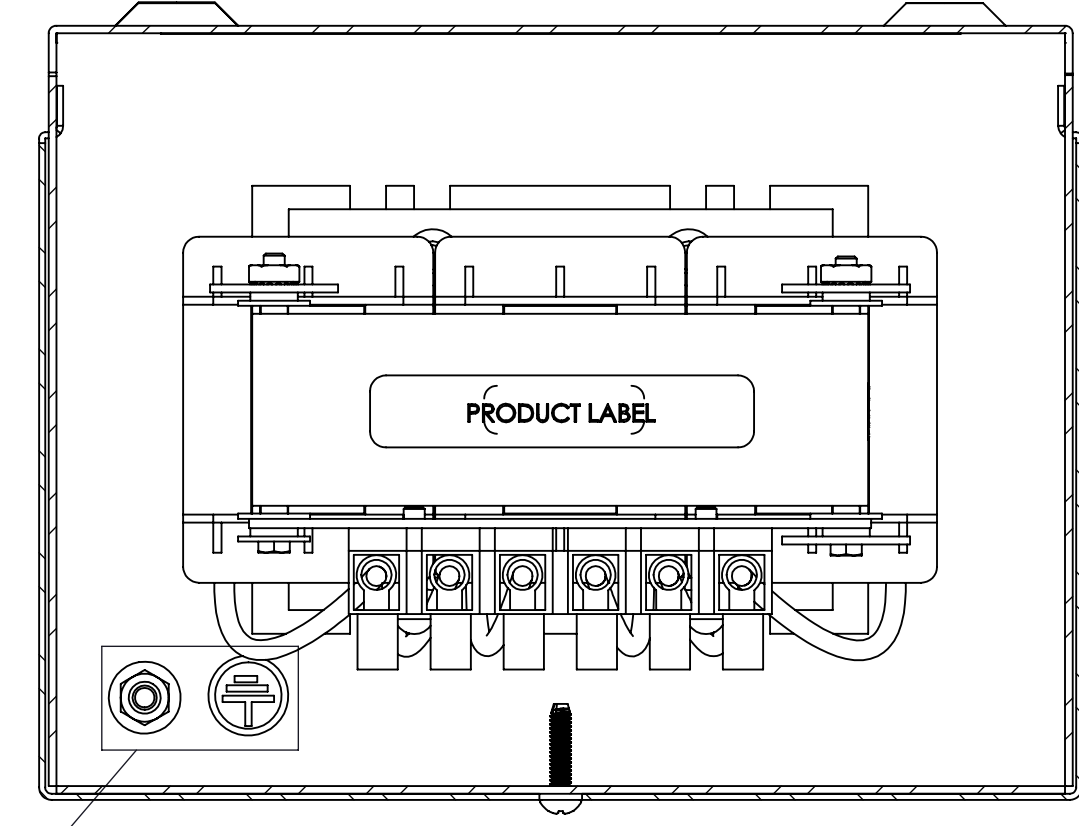
SIDE VIEW



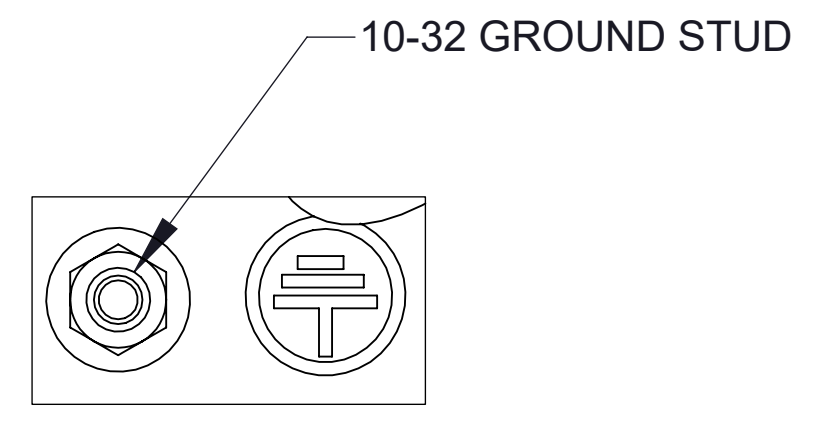
REAR VIEW



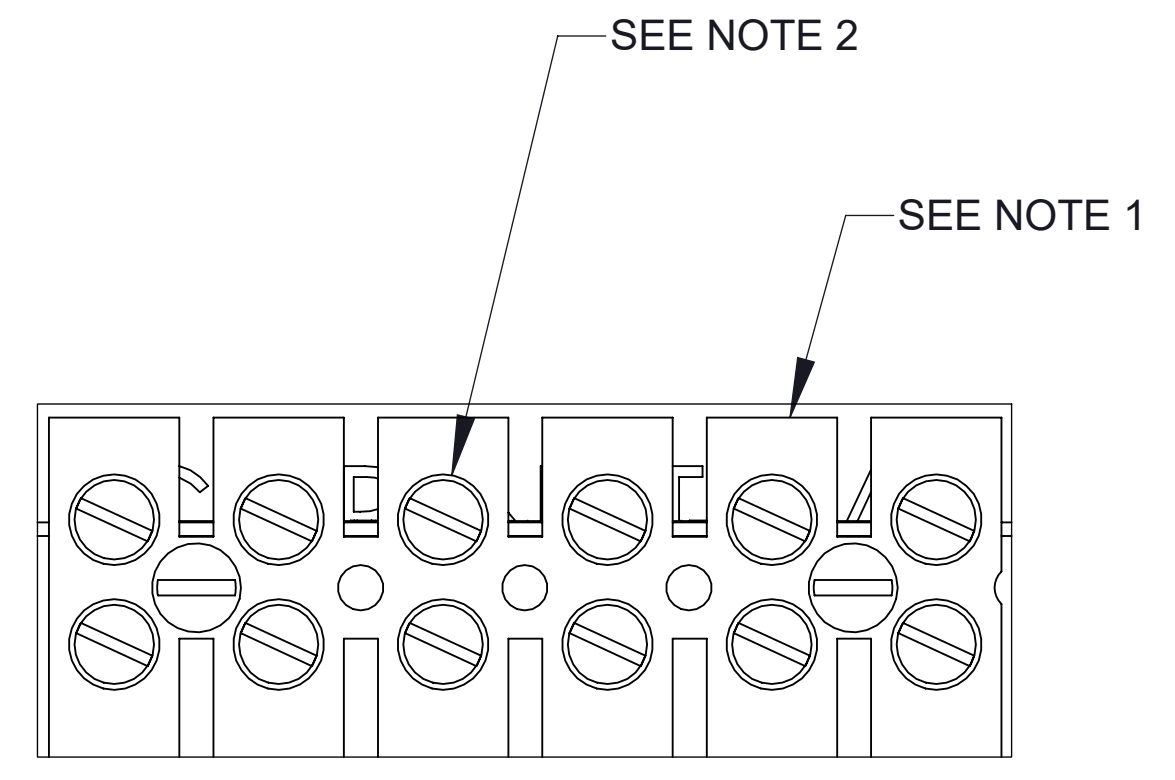
BOTTOM VIEW



TOP VIEW (PANELS REMOVED)



DETAIL A



CUSTOMER CONNECTION DETAIL VIEW

NOTES:

1. TERMINAL WIRE RANGE: 4-14 AWG.
2. TERMINAL SCREW TIGHTENING TORQUE: 16 IN/INLBS.
3. REFER TO USER MANUAL FOR COMPLETE INSTALLATION INSTRUCTIONS.

THE COMPONENT, PART OR ASSEMBLY DESCRIBED IN THIS DOCUMENT MUST COMPLY WITH THE EU (EUROPEAN UNION) DIRECTIVE RoHS2 CONTAINS <0.1% OF ANY SVHC BY WEIGHT PER REACH REGULATION		MATERIAL		CONFIDENTIAL AND PROPRIETARY INFORMATION THIS DOCUMENT CONTAINS CONFIDENTIAL AND PROPRIETARY INFORMATION OF MTE CORPORATION AND MAY NOT BE USED, COPIED OR DISCLOSED TO OTHERS EXCEPT WITH THE AUTHORIZED WRITTEN PERMISSION OF MTE CORPORATION		
UNLESS OTHERWISE SPECIFIED DIMENSIONS ARE IN INCHES [MM] TOLERANCES ARE: ANGLES: ± 1° 1 PLACE .X: ± .1 [2.5] 2 PLACE .XX: ± .03 [0.76] 3 PLACE .XXX: ± .010 [0.254]				DESCRIPTION LINE/LOAD REACTOR w/ENCLOSURE		
DRAWN WF CHECKED WF APPROVED PY	DATE 01/22/20 DATE 01/23/20 DATE 01/24/20			SIZE D SCALE 1:1.5	DWG No. CD 1321-3RA12-C REV 00	SHEET 1 OF 1