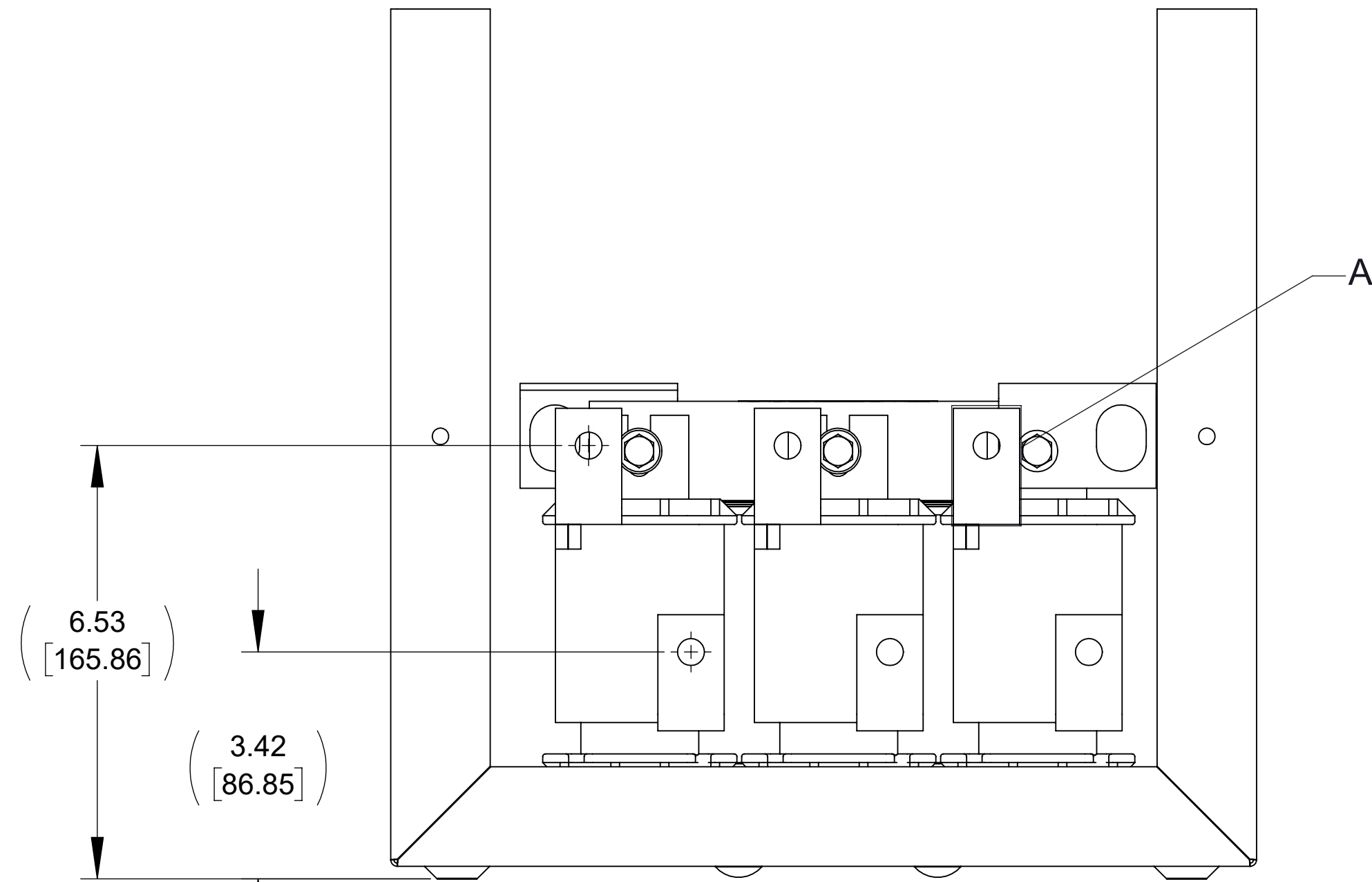


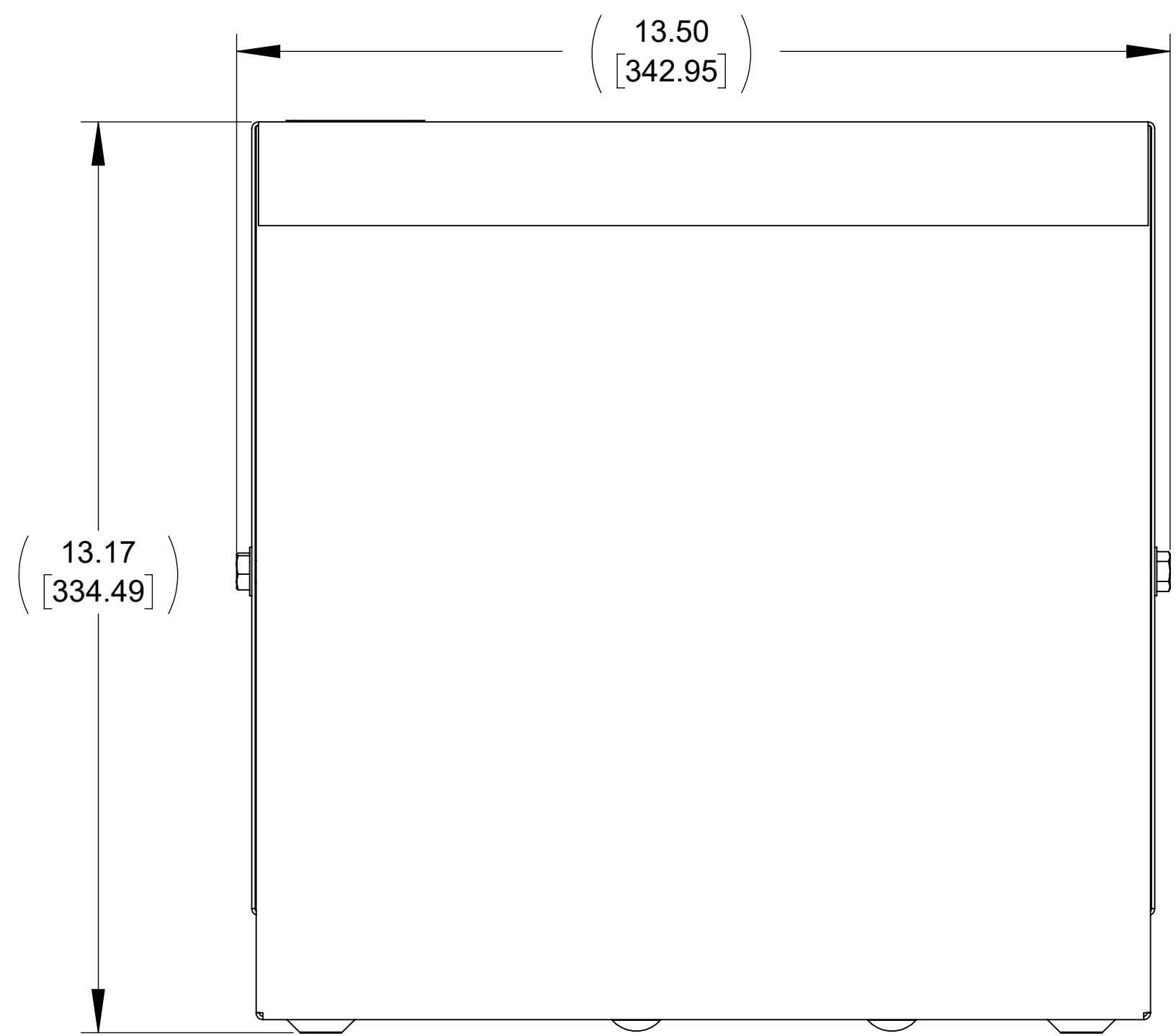
APPROX. WEIGHT (LBS)
58

ECO No	DESCRIPTION	REV BY	DATE

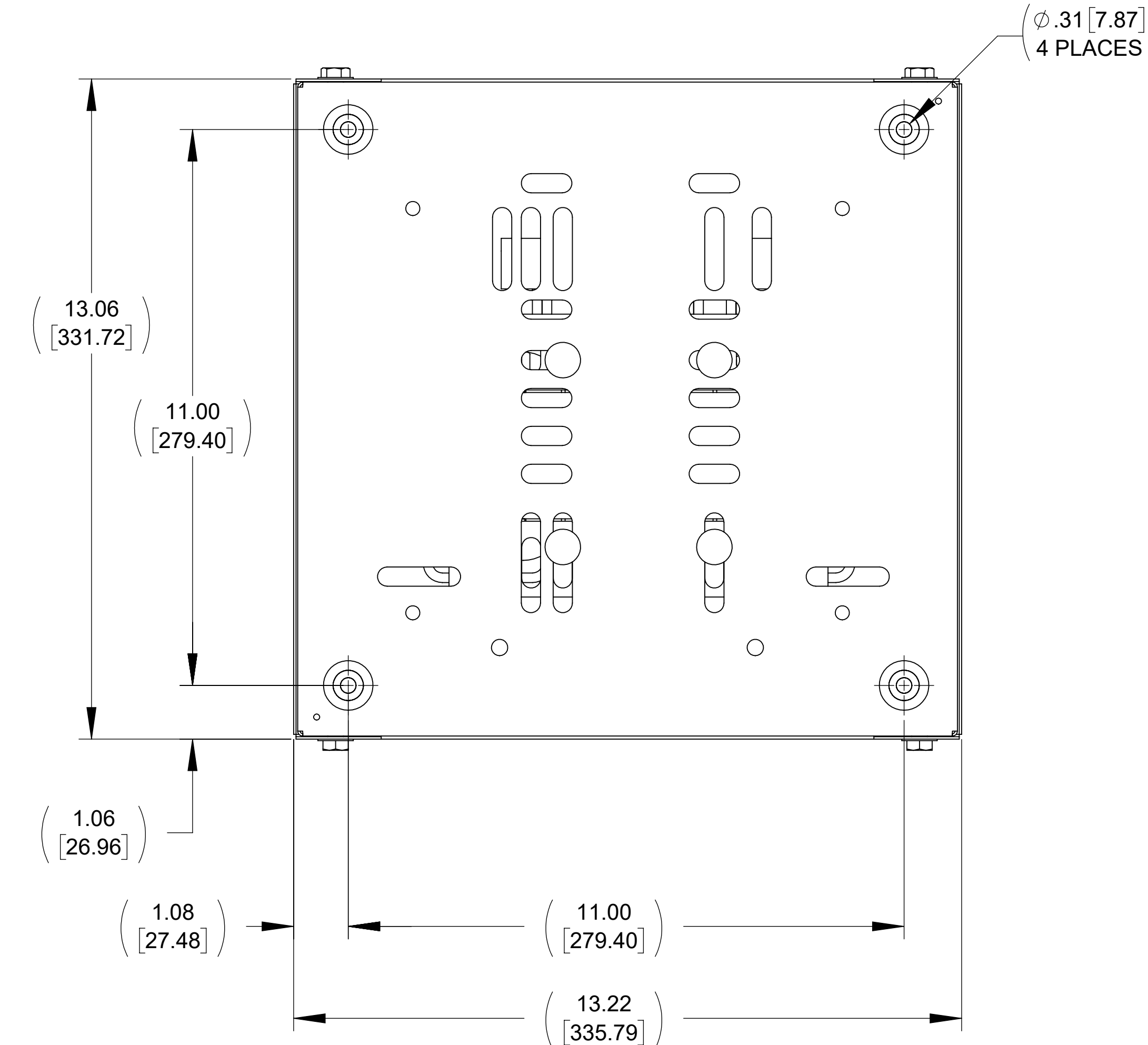
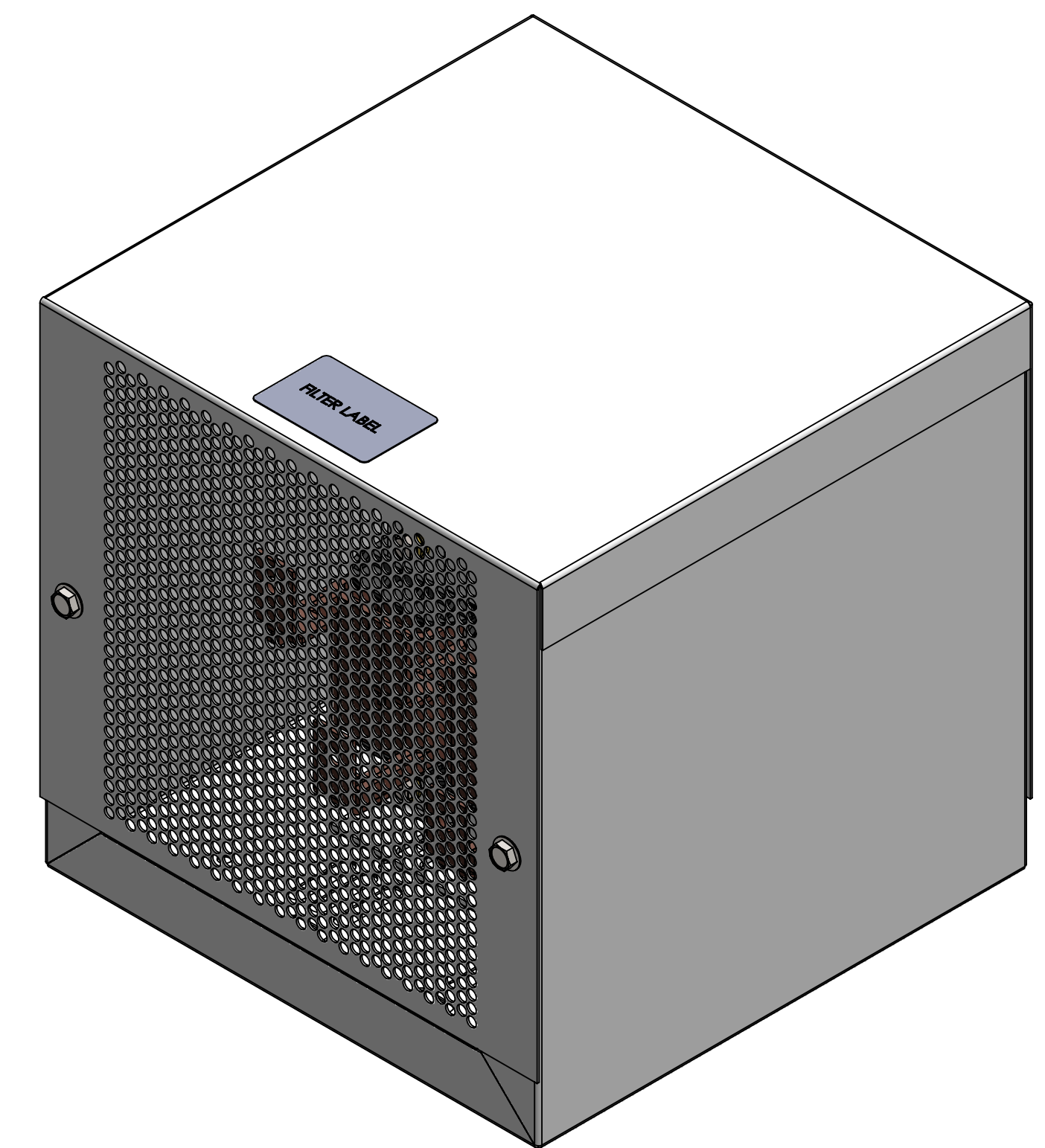
CRITICAL TO QUALITY CLASSIFICATION TABLE				
<small> P-PROFORMANCE FIT/ASSEMBLY E-ENGINEERING APPLICABLE CLASSIFICATIONS R-REGULATORY REQUIREMENT/COMPLIANCE MANDATORY </small>				
COMMENTS	DRAWING ZONE	P	E	R
ROHS	G1-H1			X



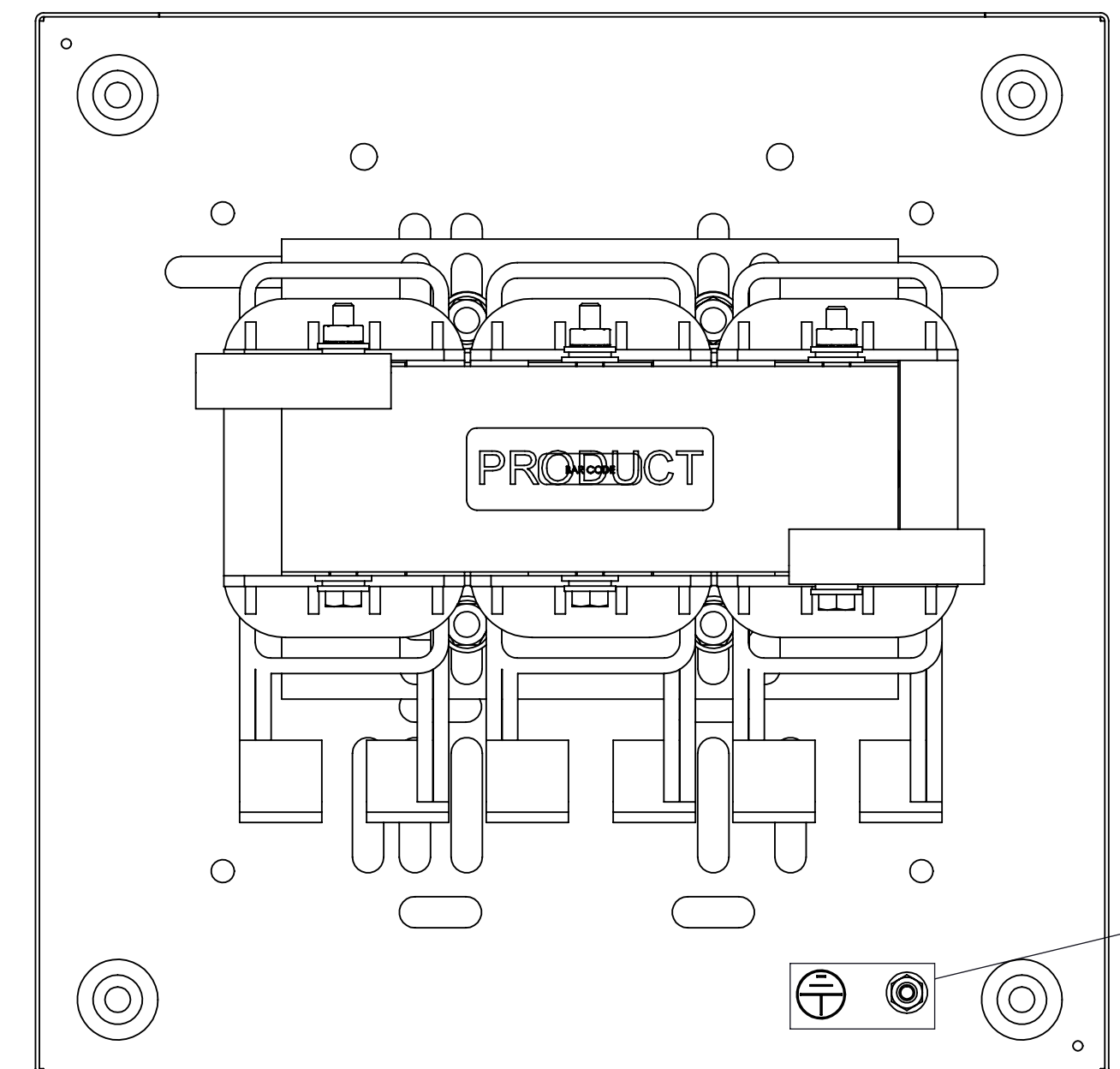
FRONT VIEW (PANEL REMOVED)



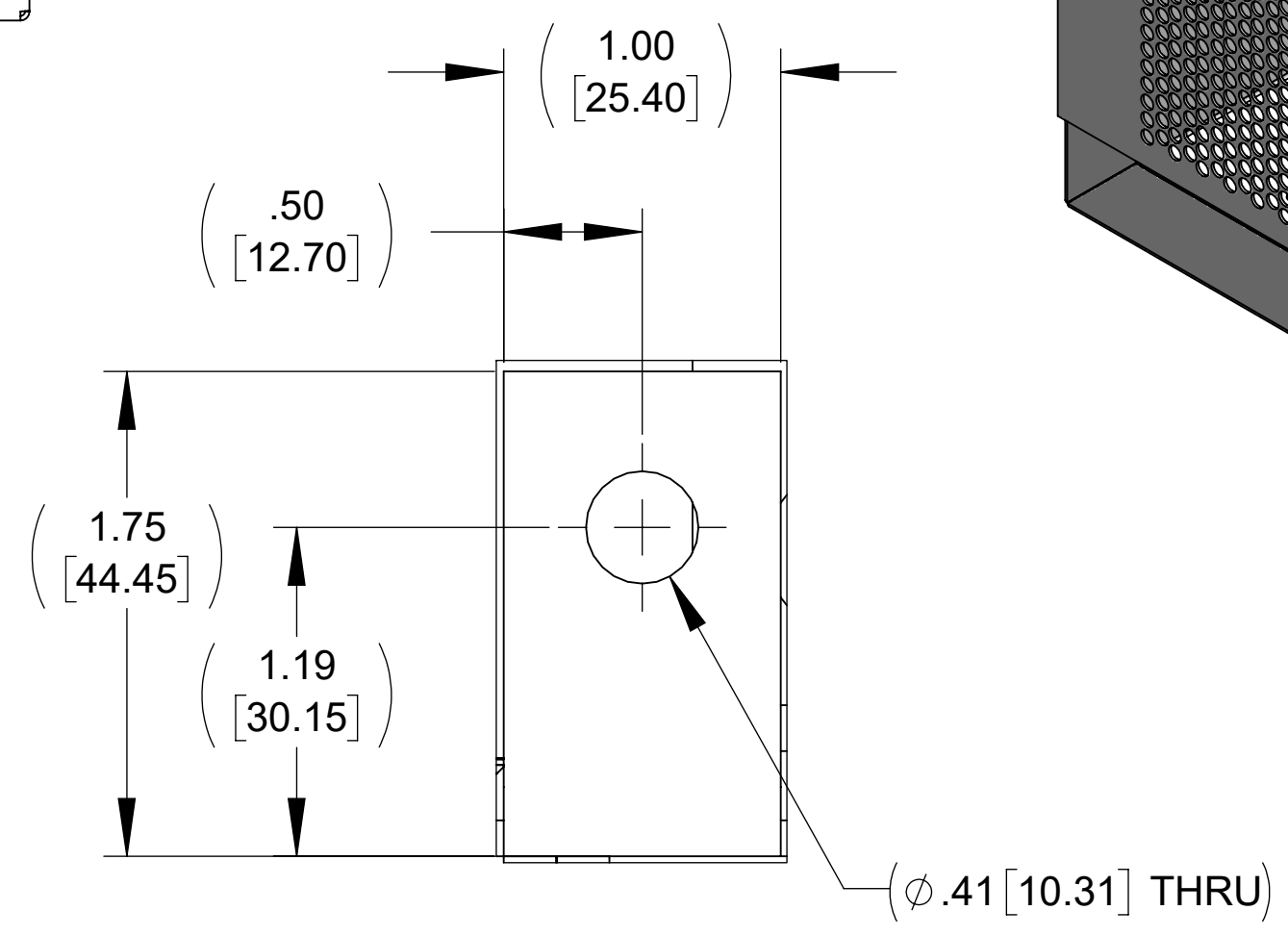
SIDE VIEW



BOTTOM VIEW

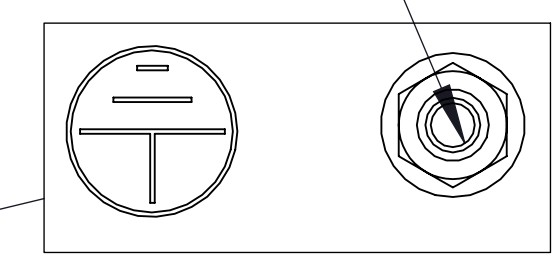


TOP VIEW (PANEL REMOVED)




DETAIL A (6 PLACES)

#10-32 GROUND STUD



NOTES:

1. REFER TO USER MANUAL FOR COMPLETE INSTALLATION INSTRUCTIONS.

THE COMPONENT, PART OR ASSEMBLY DESCRIBED IN THIS DOCUMENT MUST COMPLY WITH THE EU (EUROPEAN UNION) DIRECTIVE ROHS2 <small>CONTAINS <0.1% OF ANY SVHC BY WEIGHT PER REACH REGULATION</small>		MATERIAL UNLESS OTHERWISE SPECIFIED DIMENSIONS ARE IN INCHES [MM] TOLERANCES ARE: ANGLES: $\pm 1^\circ$ 1 PLACE .X: $\pm .1 [2.5]$ 2 PLACE .XX: $\pm .03 [0.76]$ 3 PLACE .XXX: $\pm .010 [0.254]$		CONFIDENTIAL AND PROPRIETARY INFORMATION <small>THIS DOCUMENT CONTAINS CONFIDENTIAL AND PROPRIETARY INFORMATION OF MTE CORPORATION AND MAY NOT BE USED, COPIED OR DISCLOSED TO OTHERS EXCEPT WITH THE AUTHORIZED WRITTEN PERMISSION OF MTE CORPORATION</small>													
		<table border="1"> <tr> <td>DRAWN</td> <td>WF</td> <td>DATE</td> <td>01/22/20</td> </tr> <tr> <td>CHECKED</td> <td>WF</td> <td>DATE</td> <td>01/23/20</td> </tr> <tr> <td>APPROVED</td> <td>PY</td> <td>DATE</td> <td>01/24/20</td> </tr> </table>		DRAWN	WF	DATE	01/22/20	CHECKED	WF	DATE	01/23/20	APPROVED	PY	DATE	01/24/20	DESCRIPTION LINE/LOAD REACTOR w/ENCL SURE	
DRAWN	WF	DATE	01/22/20														
CHECKED	WF	DATE	01/23/20														
APPROVED	PY	DATE	01/24/20														
SIZE D		DWG No. CD 1321-3RA200-A		REV 00													
SCALE 1:2		SHEET 1 OF 1															