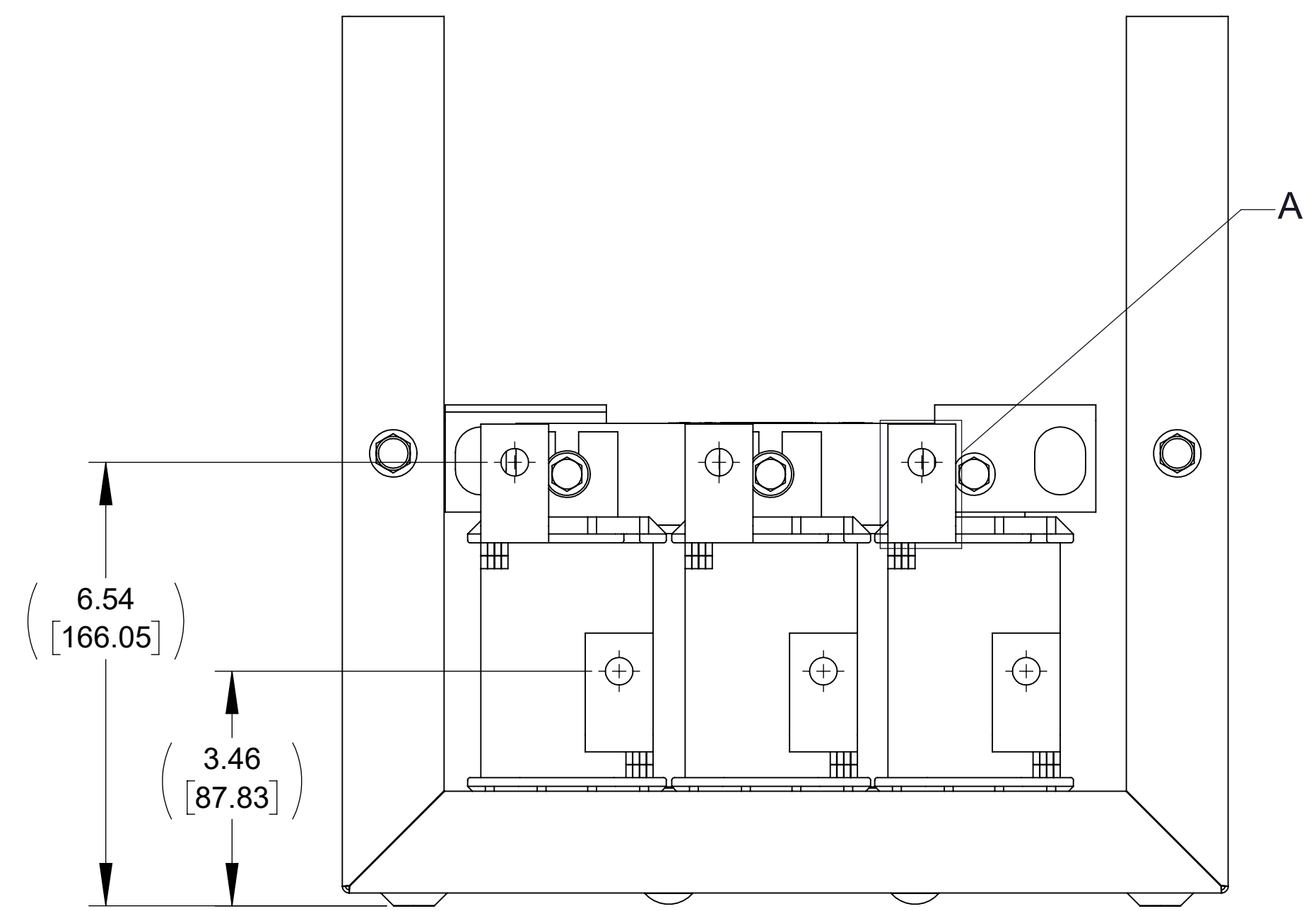
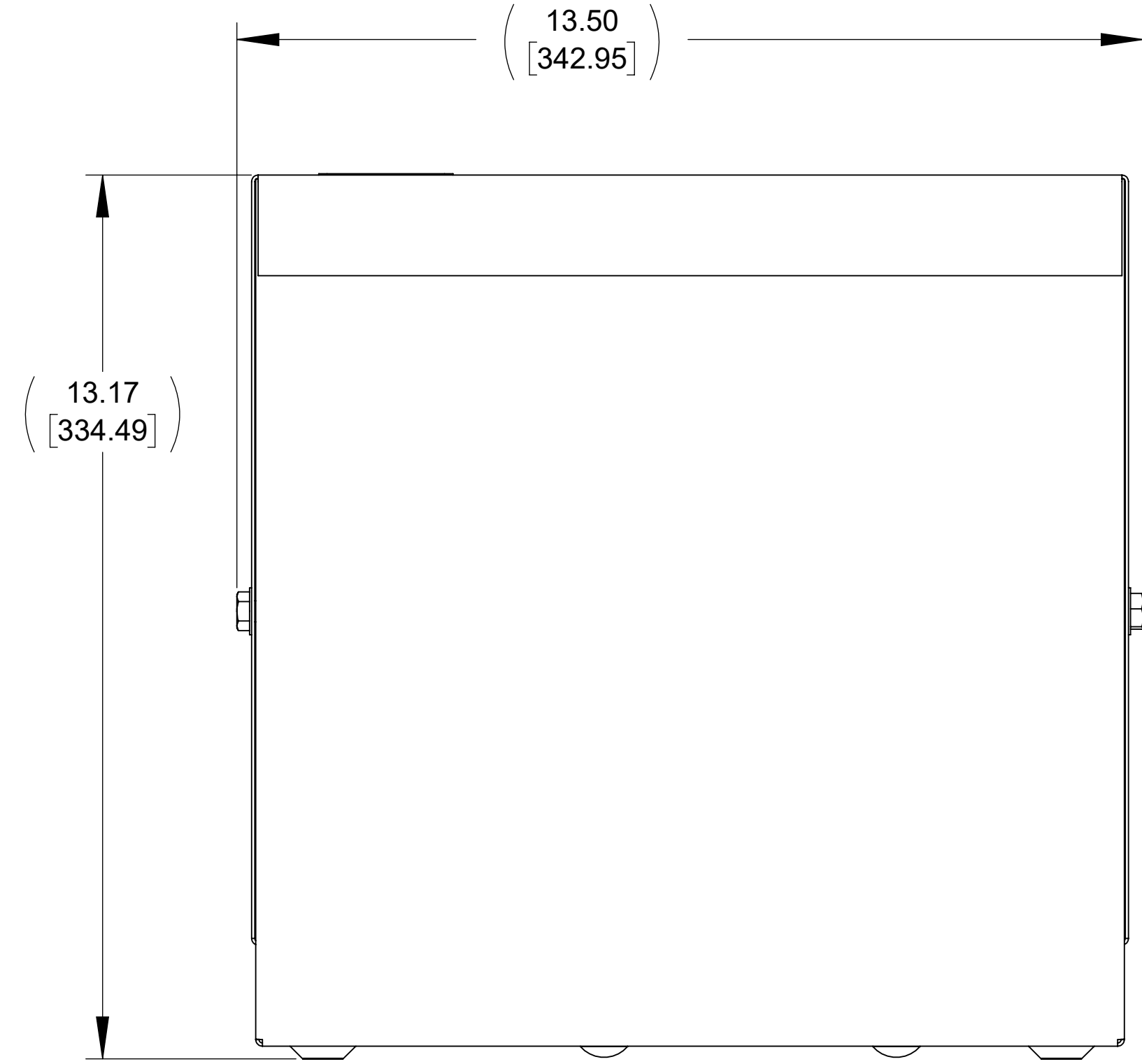


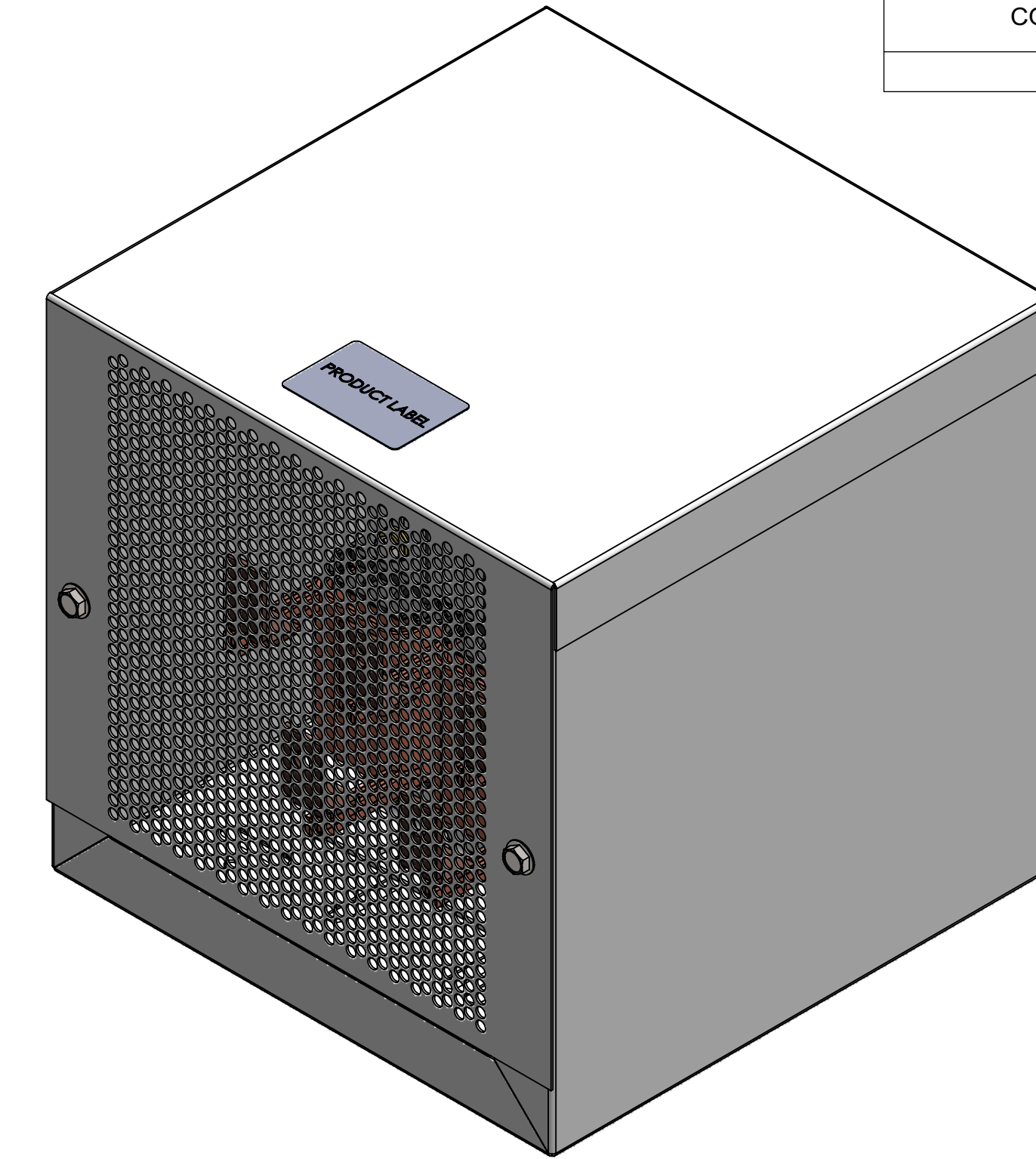
APPROX. WEIGHT (LBS)
67



FRONT VIEW
(PANEL REMOVED)

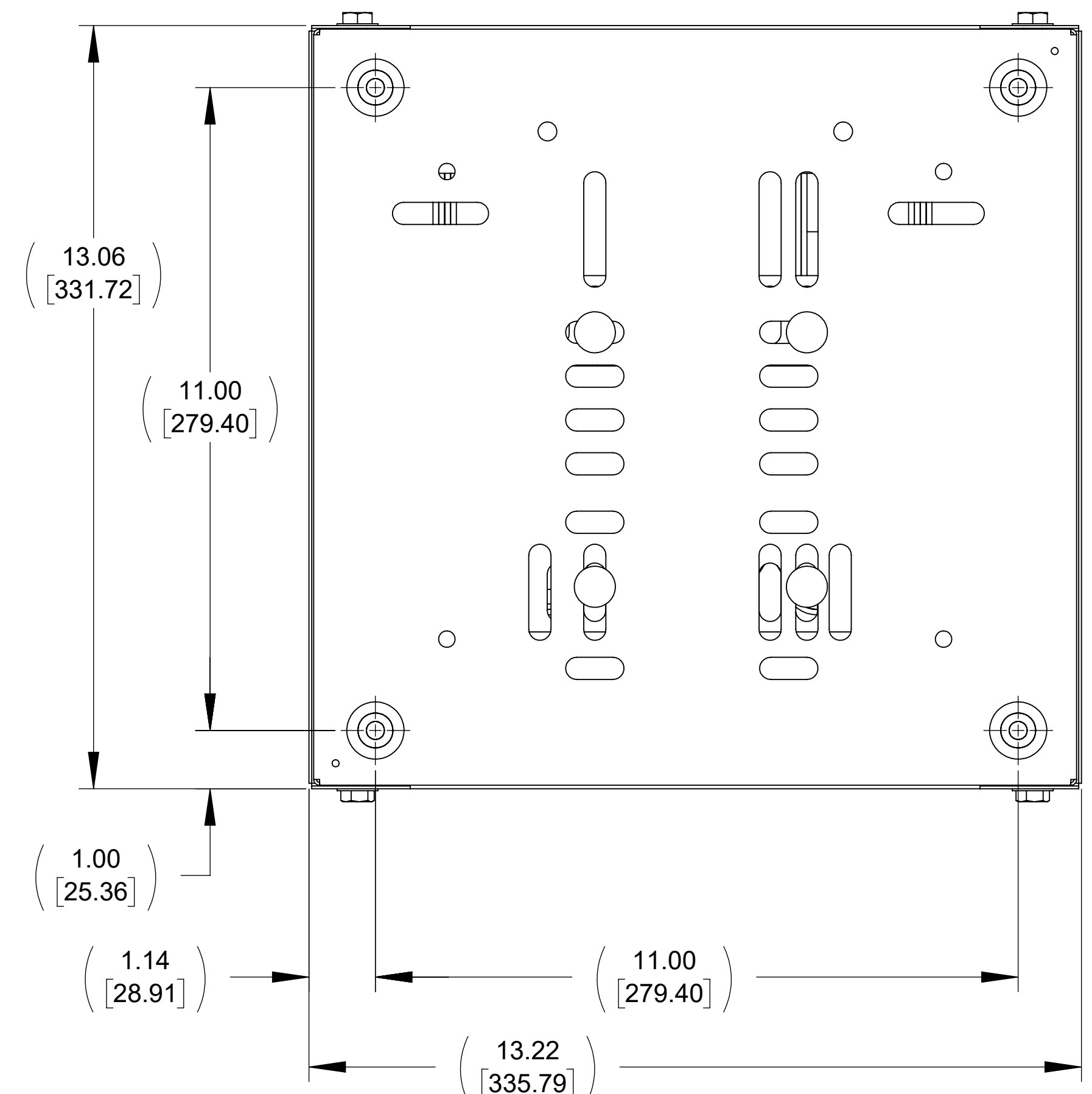


SIDE VIEW

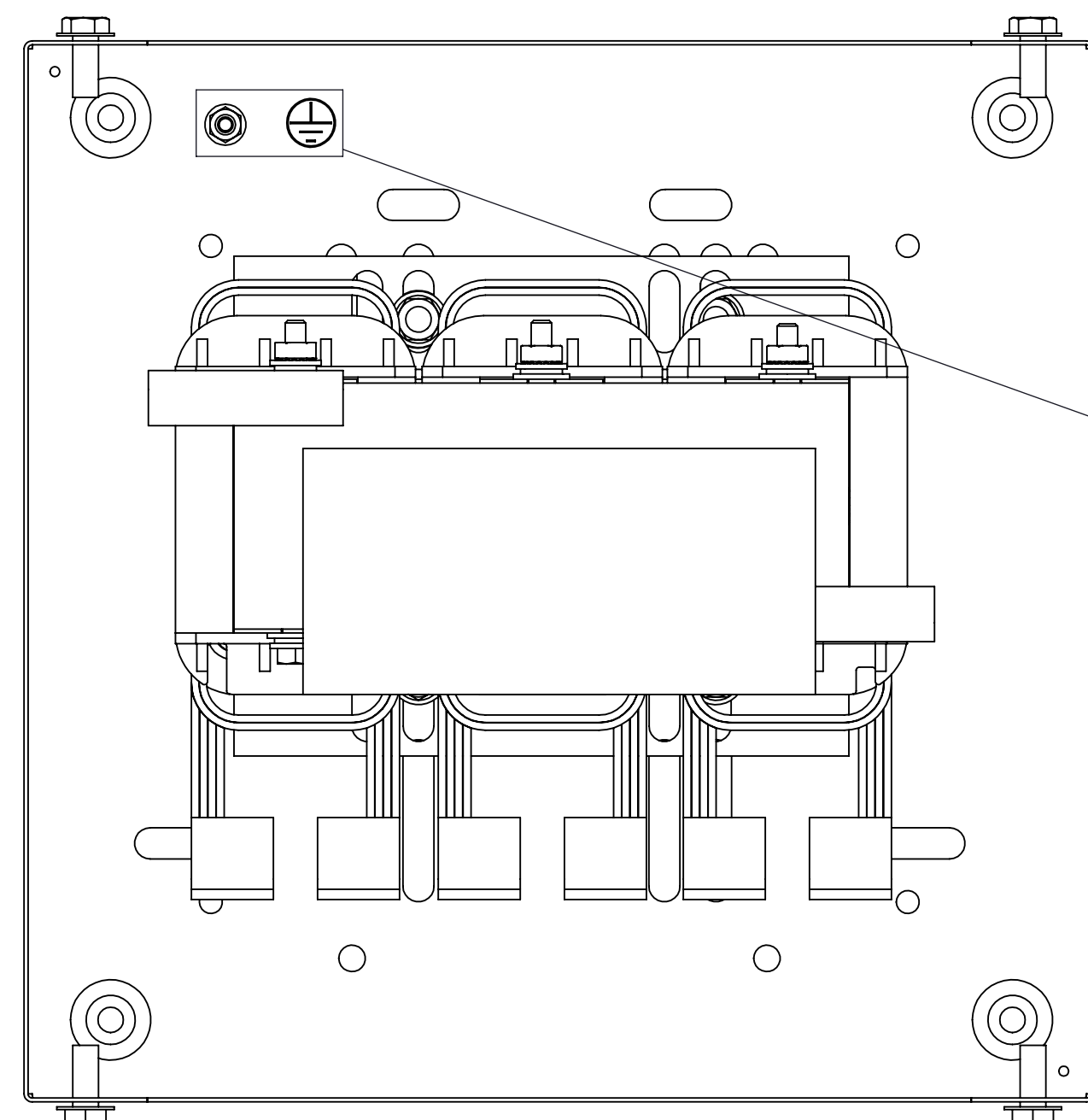


ECO No	DESCRIPTION	REV BY	DATE

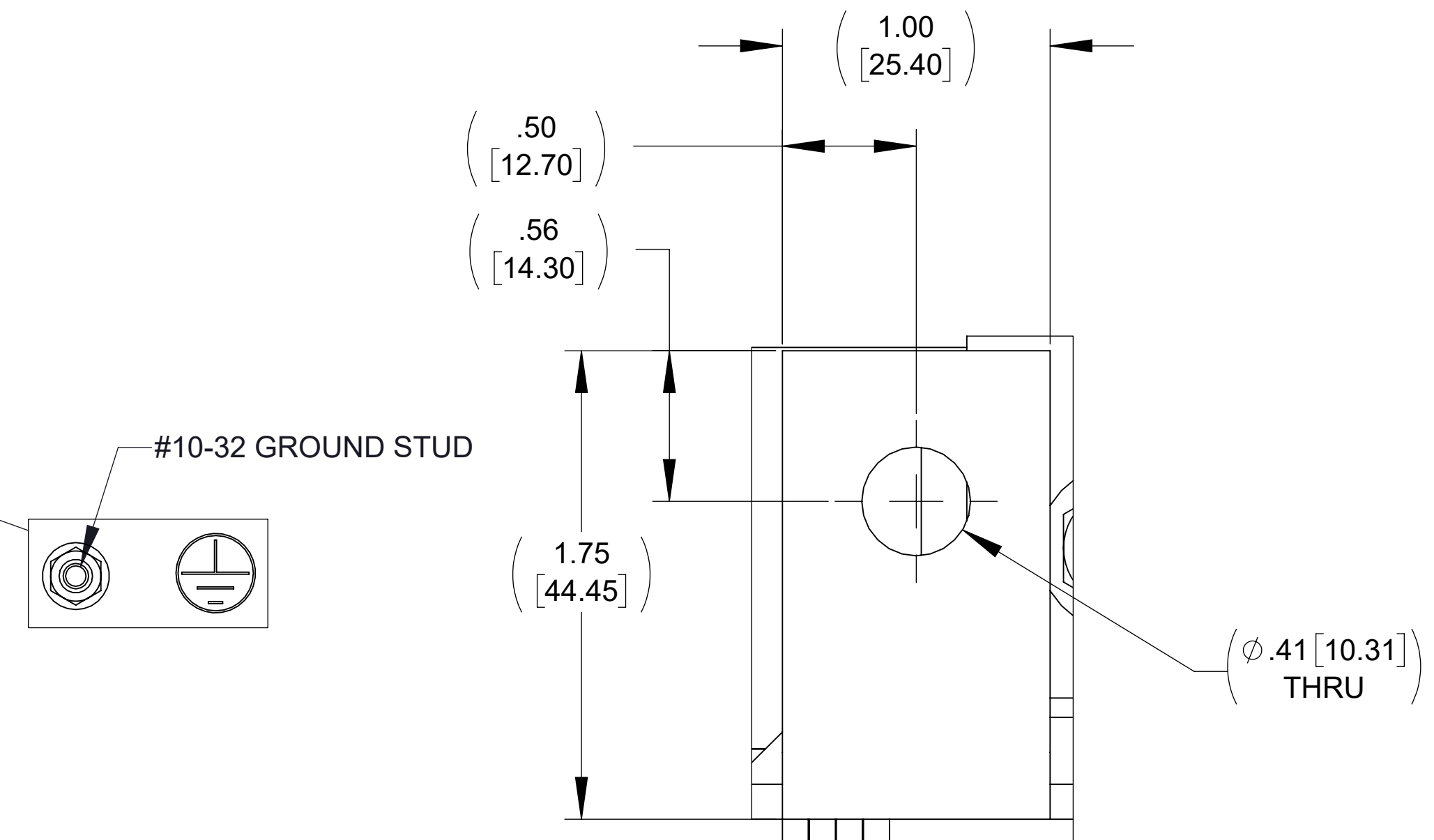
CRITICAL TO QUALITY CLASSIFICATION TABLE				
<small> P-PROFORMANCE FIT ASSEMBLY I-IDENTIFY APPLICABLE CLASSIFICATIONS E-ENGINEERING AND/OR MANUFACTURING REQUIREMENT R-REGULATORY REQUIREMENT/COMPLIANCE IS MANDATORY </small>				
COMMENTS	DRAWING ZONE	Ⓟ	Ⓡ	Ⓢ
ROHS	G1-H1			X



BOTTOM VIEW



TOP VIEW
(PANEL REMOVED)



DETAIL A
(6 PLACES)

- NOTES:**
1. REFER TO USER MANUAL FOR COMPLETE INSTALLATION INSTRUCTIONS.

THE COMPONENT, PART OR ASSEMBLY DESCRIBED IN THIS DOCUMENT MUST COMPLY WITH THE EU (EUROPEAN UNION) DIRECTIVE RoHS2 <small>CONTAINS <0.1% OF ANY SVHC BY WEIGHT PER REACH REGULATION</small>		MATERIAL UNLESS OTHERWISE SPECIFIED DIMENSIONS ARE IN INCHES [MM] TOLERANCES ARE: ANGLES: ± 1° 1 PLACE .X: ± .1 [2.5] 2 PLACE .XX: ± .03 [0.76] 3 PLACE .XXX: ± .010 [0.254]		CONFIDENTIAL AND PROPRIETARY INFORMATION <small>THIS DOCUMENT CONTAINS CONFIDENTIAL AND PROPRIETARY INFORMATION OF MTE CORPORATION AND MAY NOT BE USED, COPIED OR DISCLOSED TO OTHERS EXCEPT WITH THE AUTHORIZED WRITTEN PERMISSION OF MTE CORPORATION</small>													
		<table border="1"> <tr> <td>DRAWN</td> <td>DATE</td> </tr> <tr> <td>WF</td> <td>01/22/20</td> </tr> <tr> <td>CHECKED</td> <td>DATE</td> </tr> <tr> <td>WF</td> <td>01/23/20</td> </tr> <tr> <td>APPROVED</td> <td>DATE</td> </tr> <tr> <td>PY</td> <td>01/24/20</td> </tr> </table>		DRAWN	DATE	WF	01/22/20	CHECKED	DATE	WF	01/23/20	APPROVED	DATE	PY	01/24/20	DESCRIPTION LINE/LOAD REACTOR w/ENCL O SURE	
DRAWN	DATE																
WF	01/22/20																
CHECKED	DATE																
WF	01/23/20																
APPROVED	DATE																
PY	01/24/20																
SIZE D DWG No. CD 1321-3RA200-B REV 00		SCALE 1:2 SHEET 1 OF 1															