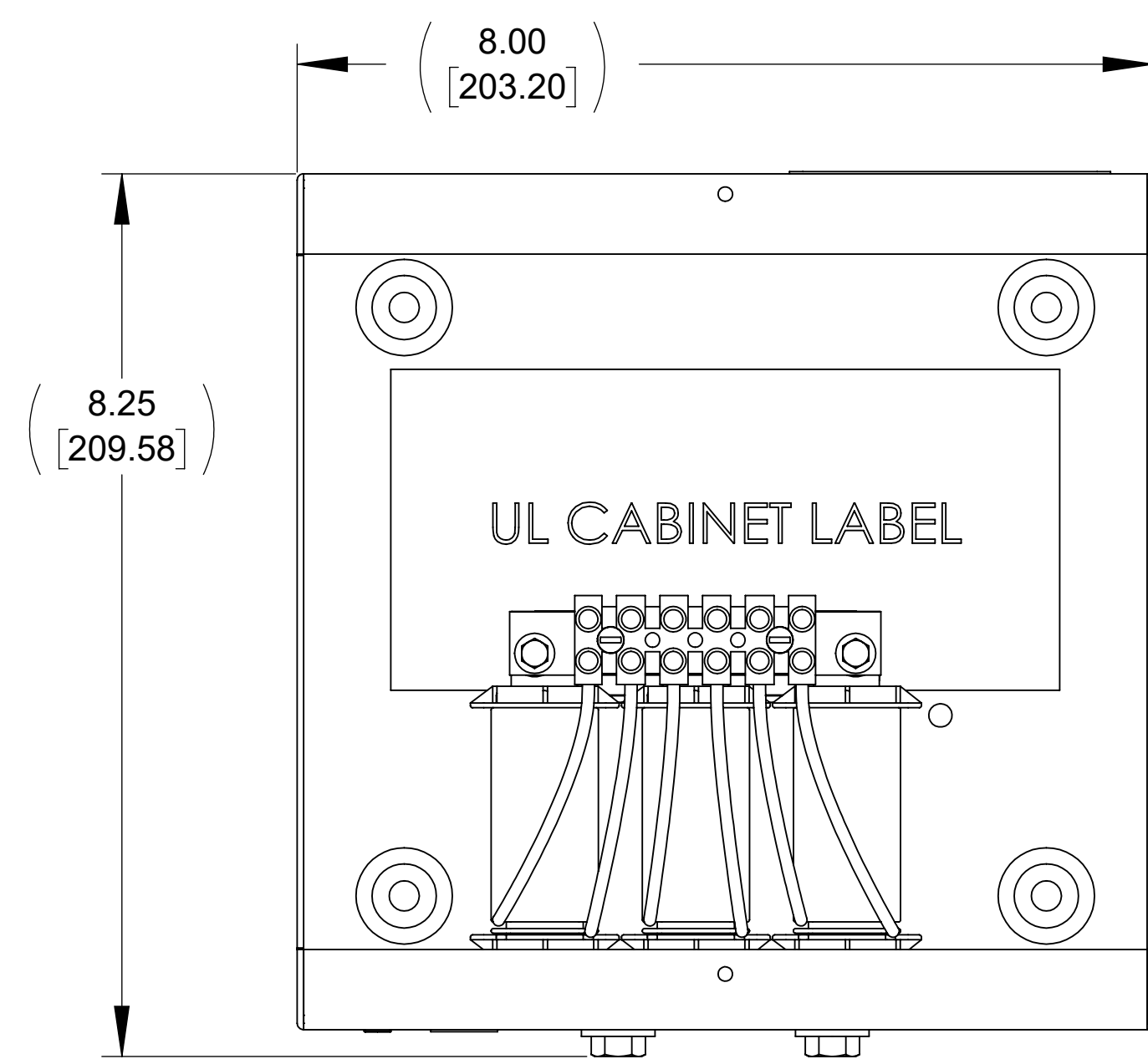


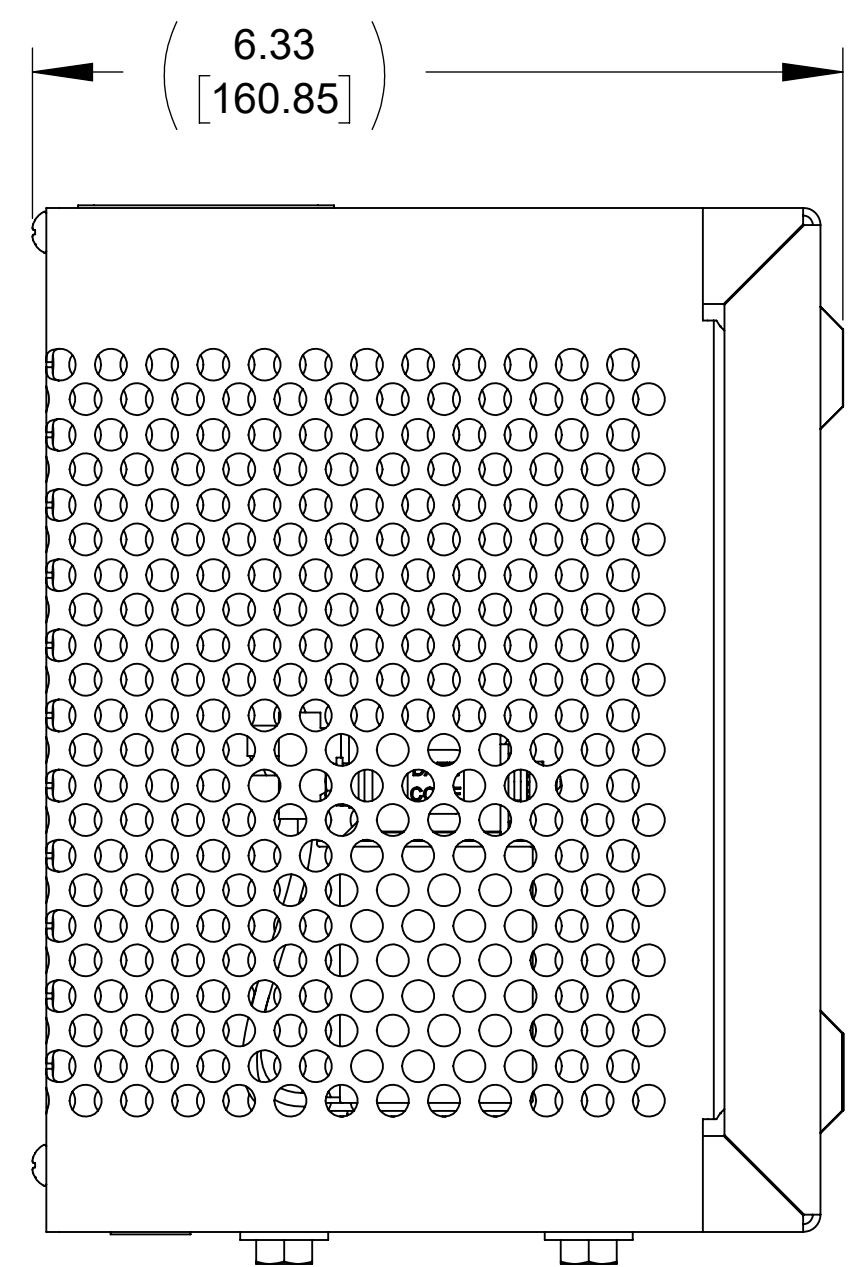
APPROX. WEIGHT (LBS)  
9

| ECO No | DESCRIPTION | REV BY | DATE |
|--------|-------------|--------|------|
|        |             |        |      |

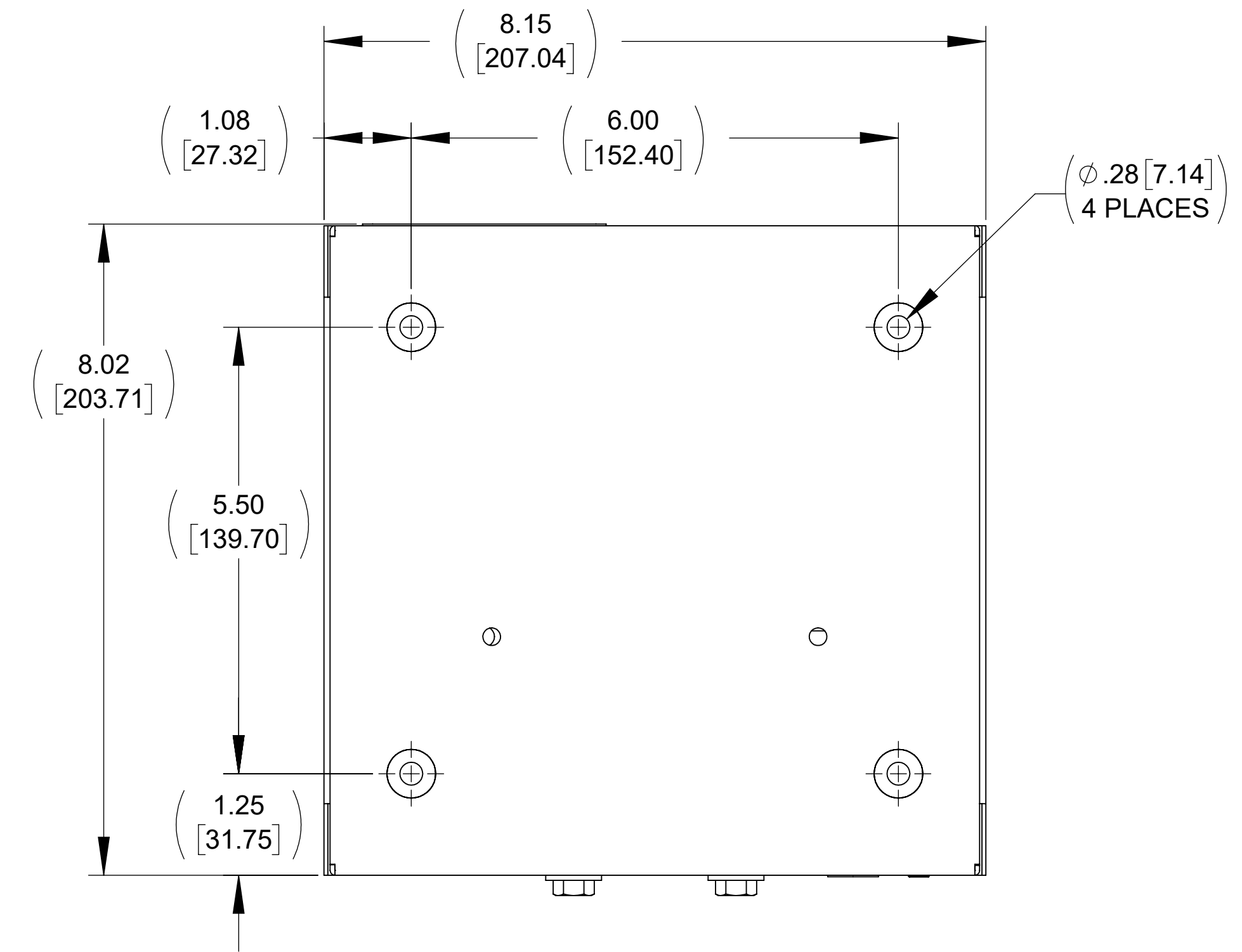
| CRITICAL TO QUALITY CLASSIFICATION TABLE  |              |   |   |   |
|---|--------------|---|---|---|
| <small>           P-PROFORMANCE FIT ASSEMBLY<br/>           F-IDENTIFIED APPLICABLE CLASSIFICATIONS<br/>           E-ENGINEERING AND/OR MANUFACTURING REQUIREMENTS<br/>           R-REGULATORY REQUIREMENT/COMPLIANCE IS MANDATORY         </small> |              |   |   |   |
| COMMENTS  | DRAWING ZONE | P | F | R |
| ROHS  | G1-H1        |   |   | X |



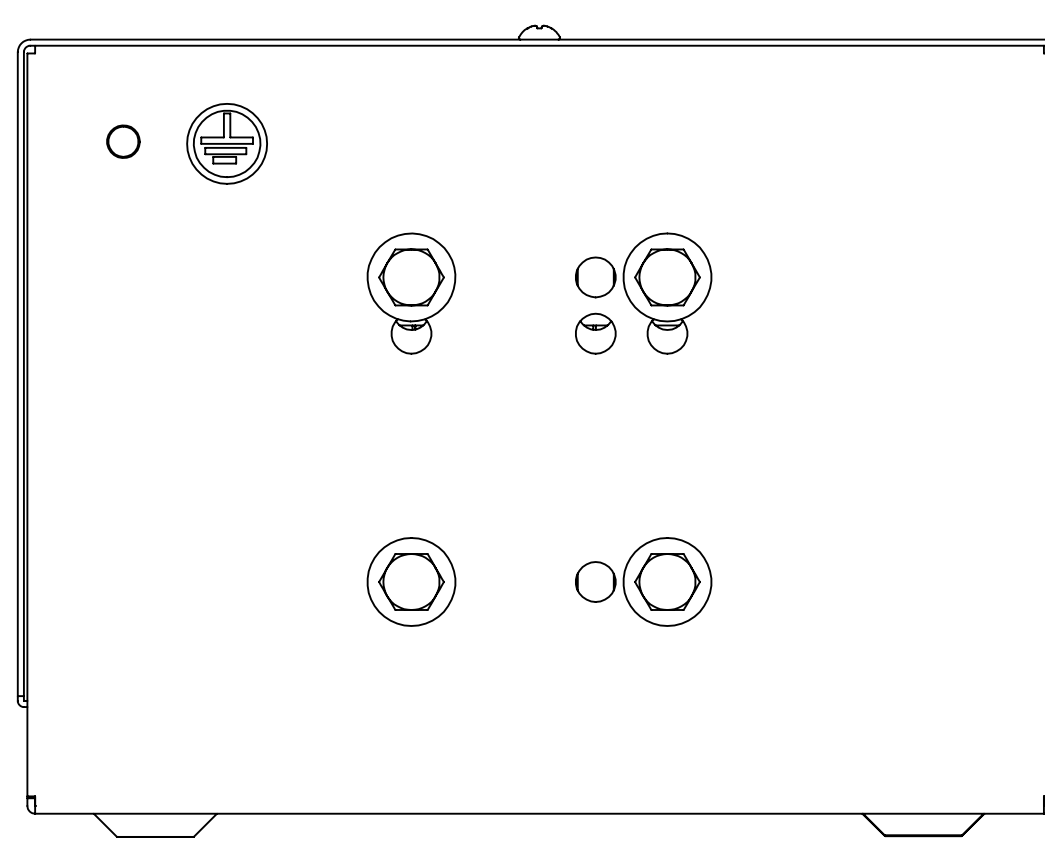
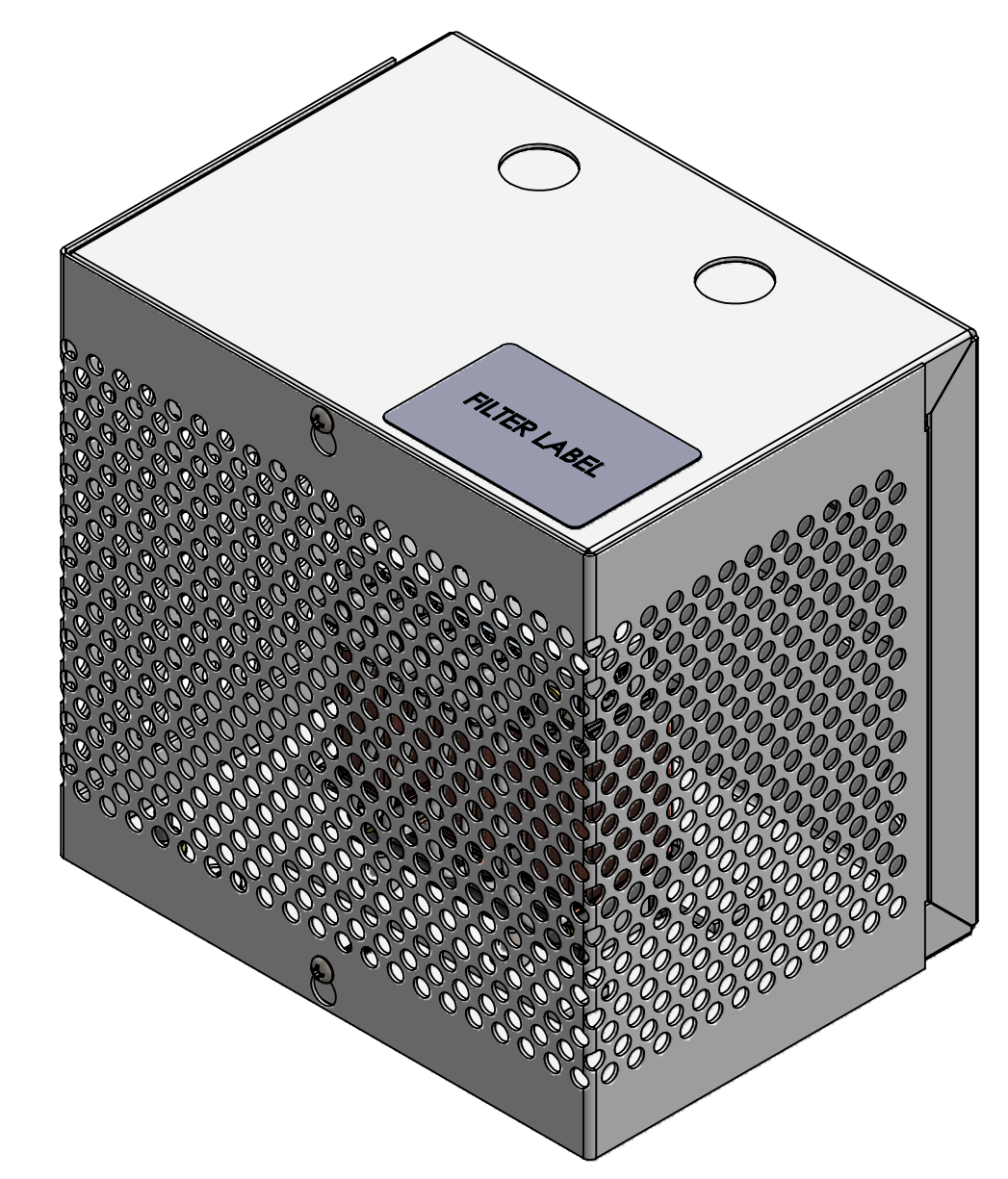
**FRONT VIEW  
(PANELS REMOVED)**



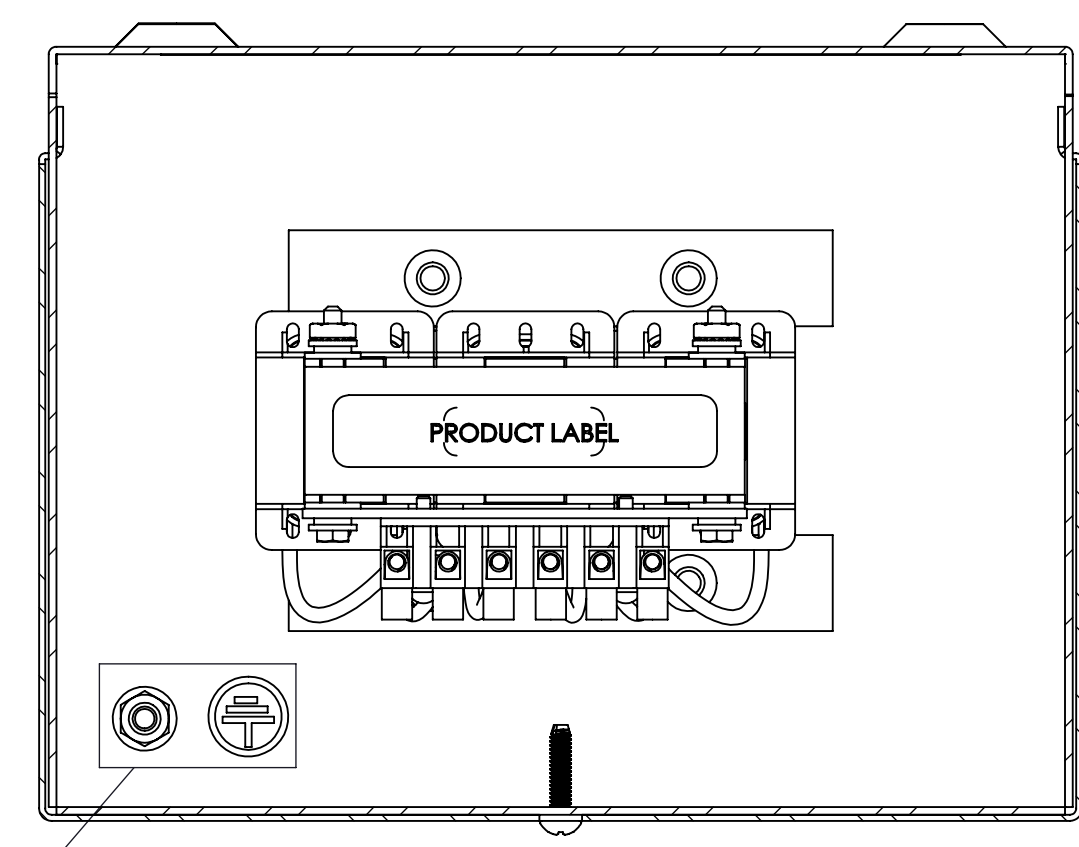
**SIDE VIEW**



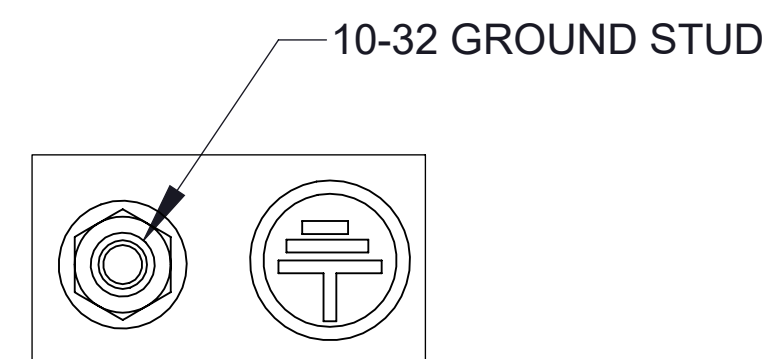
**REAR VIEW**



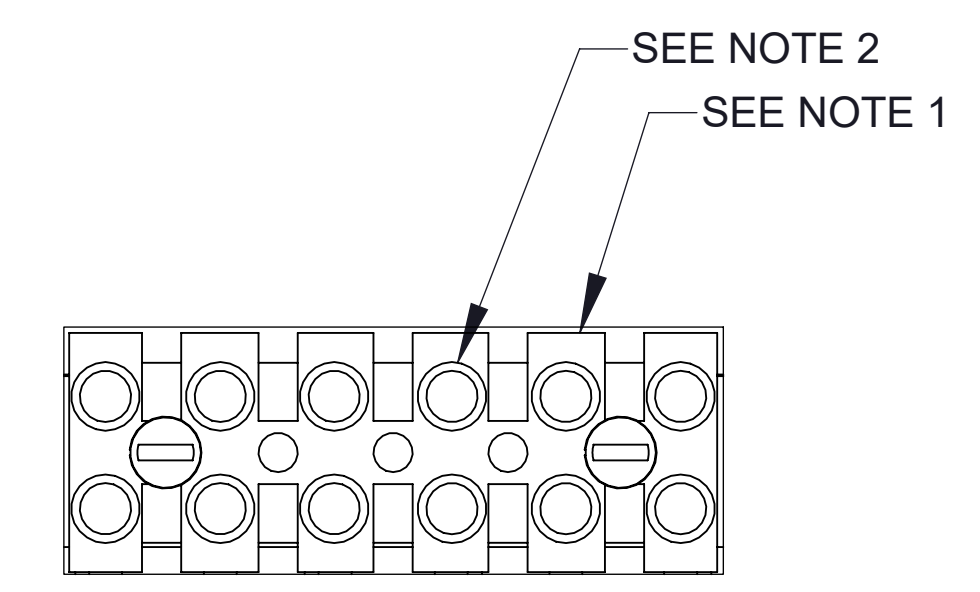
**BOTTOM VIEW**



**TOP VIEW  
(PANELS REMOVED)**



**DETAIL A**



**CUSTOMER CONNECTION  
DETAIL VIEW**

**NOTES:**

1. TERMINAL WIRE RANGE: 10-22 AWG.
2. TERMINAL SCREW TIGHTENING TORQUE: 4.0 IN/LBS.
3. REFER TO USER MANUAL FOR COMPLETE INSTALLATION INSTRUCTIONS.

|  |  |   |  |                                      |  |  |  |
|--|--|---|--|--------------------------------------|--|--|--|
| THE COMPONENT, PART OR ASSEMBLY DESCRIBED IN THIS DOCUMENT MUST COMPLY WITH THE EU (EUROPEAN UNION) DIRECTIVE RoHS2<br><small>CONTAINS &lt;0.1% OF ANY SVHC BY WEIGHT PER REACH REGULATION</small> |  | <b>MATERIAL</b><br>UNLESS OTHERWISE SPECIFIED DIMENSIONS ARE IN INCHES [MM] TOLERANCES ARE:<br>ANGLES: ± 1 °<br>1 PLACE .X: ± .1 [2.5]<br>2 PLACE .XX: ± .03 [0.76]<br>3 PLACE .XXX: ± .010 [0.254] |  | <b>Rockwell Automation</b>           |  | <b>CONFIDENTIAL AND PROPRIETARY INFORMATION</b><br><small>THIS DOCUMENT CONTAINS CONFIDENTIAL AND PROPRIETARY INFORMATION OF MTE CORPORATION AND MAY NOT BE USED, COPIED OR DISCLOSED TO OTHERS EXCEPT WITH THE AUTHORIZED WRITTEN PERMISSION OF MTE CORPORATION</small> |  |
| DRAWN WF DATE 01/22/20<br>CHECKED WF DATE 01/23/20<br>APPROVED PY DATE 01/24/20  |  | DESCRIPTION<br><b>LINE/LOAD REACTOR w/ENCLOSURE</b>   |  | SIZE D DWG No. CD 1321-3RA4-C REV 00 |  | SCALE 1:1.5 SHEET 1 OF 1   |  |