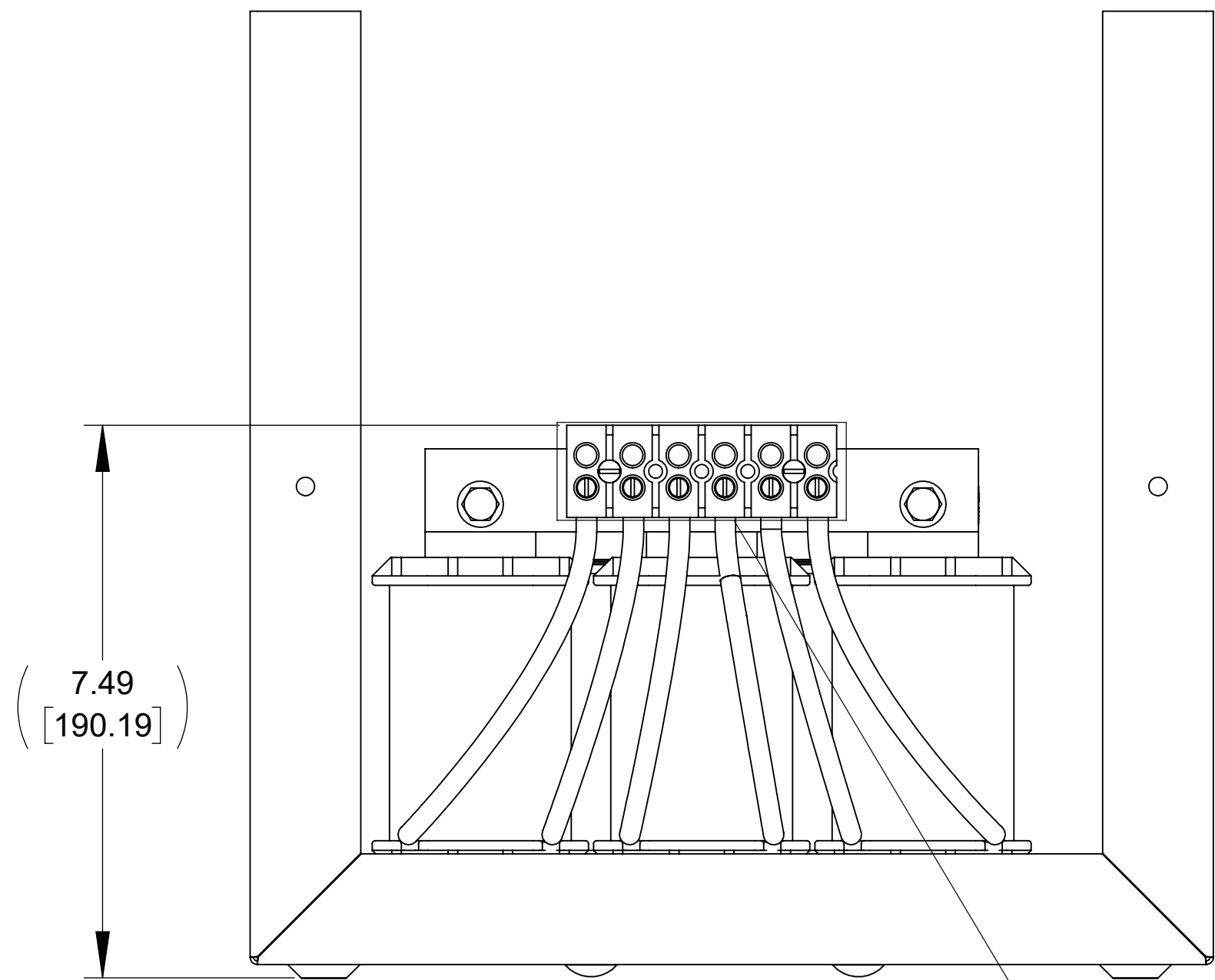
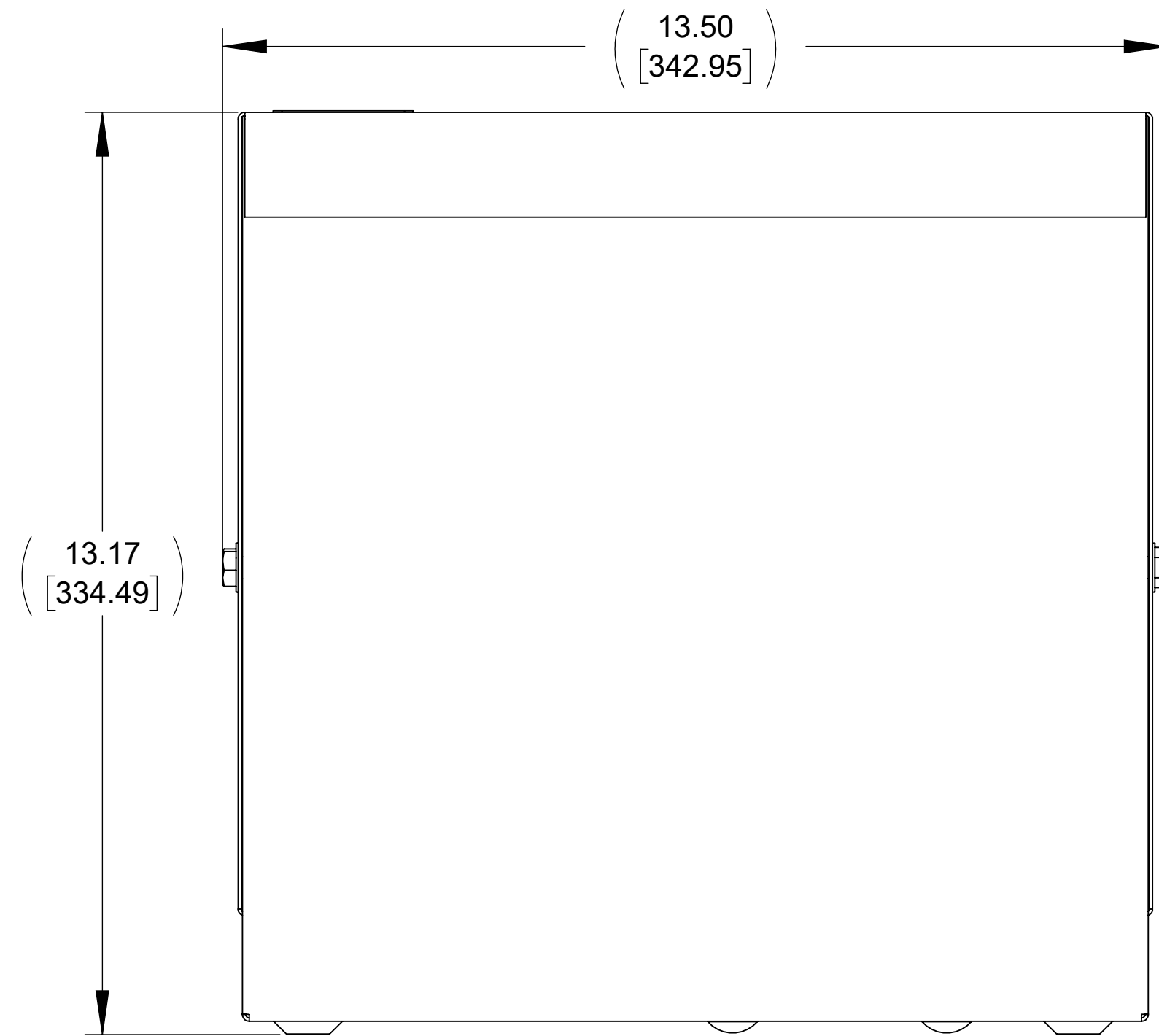


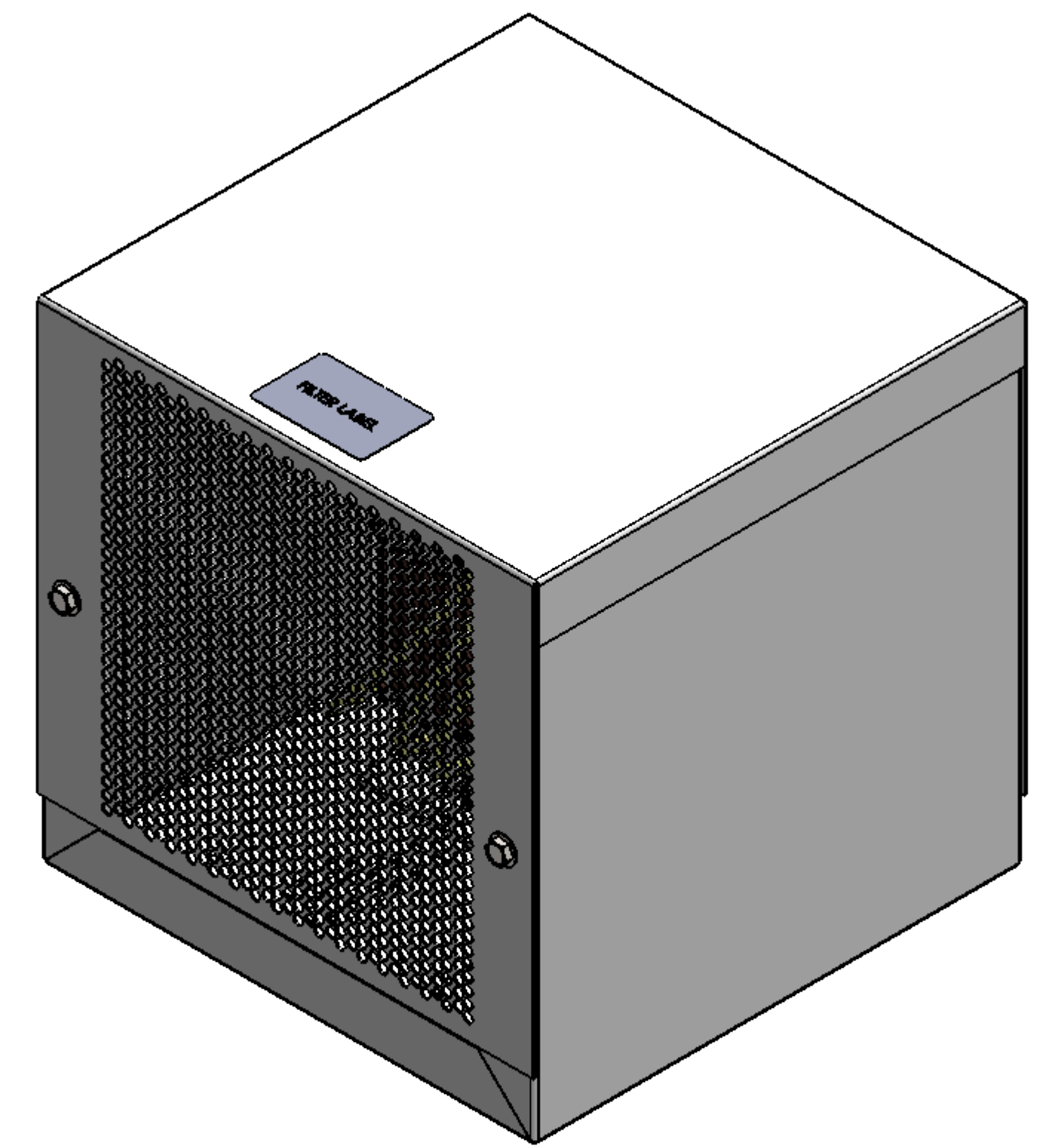
APPROX. WEIGHT (LBS)  
49



FRONT VIEW (PANEL REMOVED)

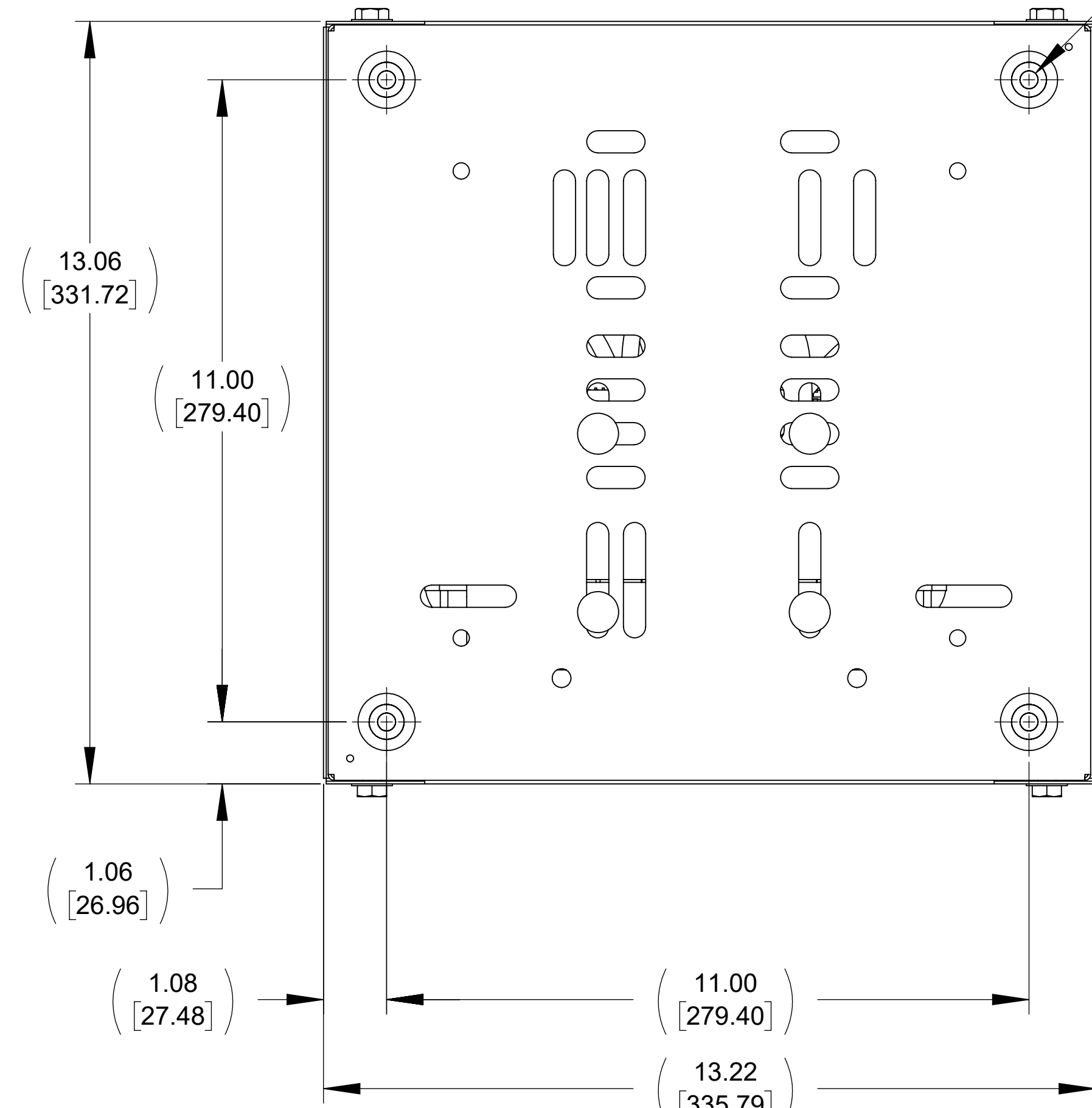


SIDE VIEW

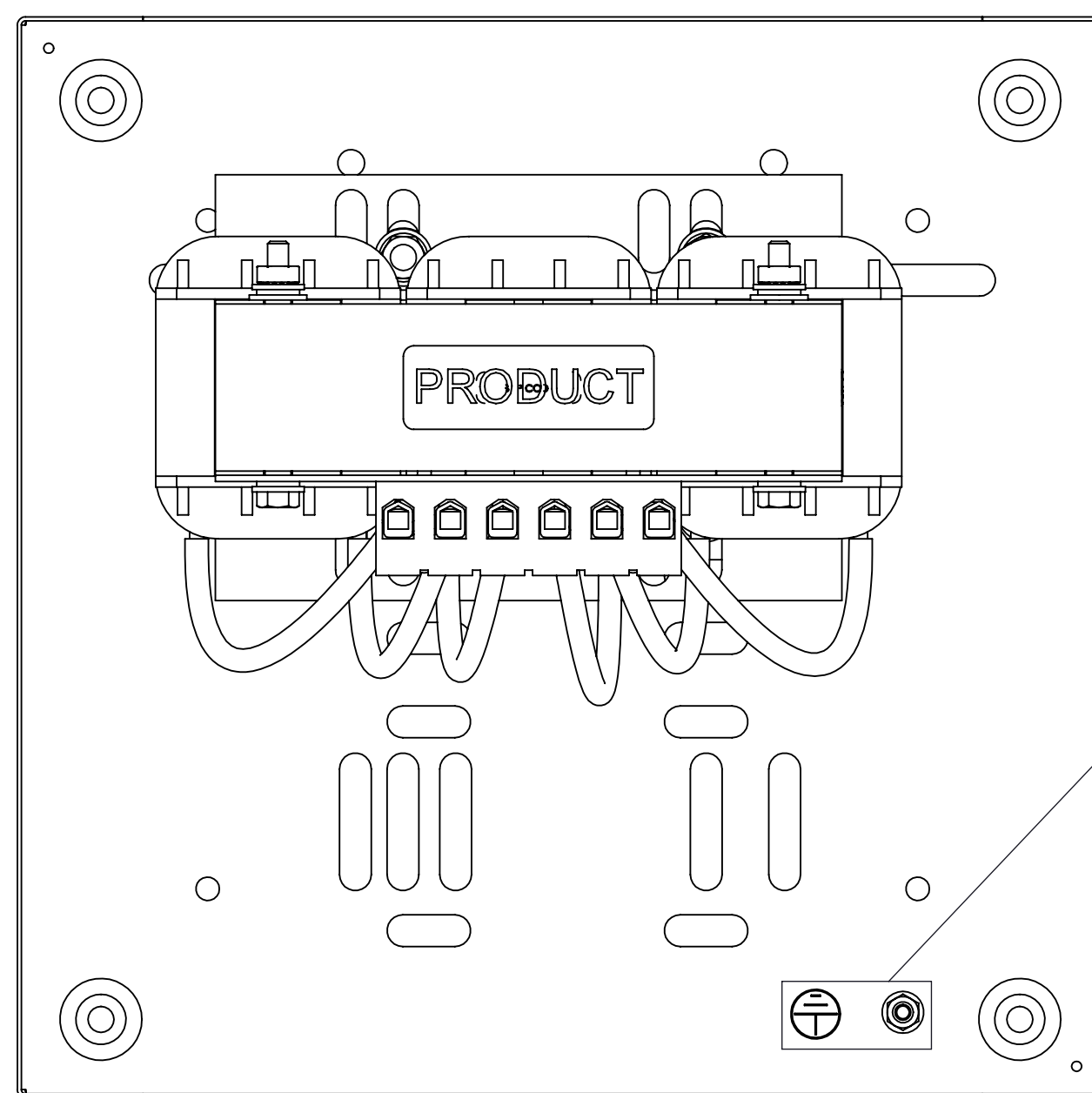


ECO No	DESCRIPTION	REV BY	DATE

CRITICAL TO QUALITY CLASSIFICATION TABLE				
<small>                     P-PROFORMANCE FIT (ASSEMBLY)                      F-IDENTIFIED APPLICABLE CLASSIFICATIONS                      E-ENGINEERING AND/OR MANUFACTURING REQUIREMENTS                      R-REGULATORY REQUIREMENT COMPLIANCE IS MANDATORY                 </small>				
COMMENTS	DRAWING ZONE	P	F	R
ROHS	G1-H1			X

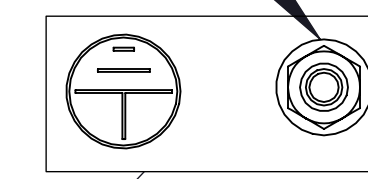


BOTTOM VIEW

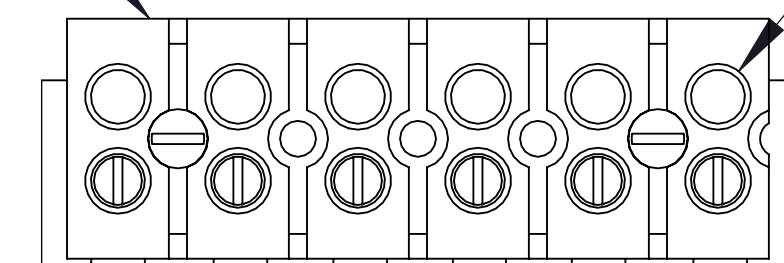


TOP VIEW (PANEL REMOVED)

#10-32 GROUND STUD



SEE NOTE 1



SEE NOTE 2

DETAIL A  
CUSTOMER CONNECTION  
DETAIL VIEW

**NOTES:**

1. TERMINAL WIRE RANGE: 4-18 AWG.
2. TERMINAL SCREW TIGHTENING TORQUE: 16 IN/LBS.
3. REFER TO USER MANUAL FOR COMPLETE INSTALLATION INSTRUCTIONS.

THE COMPONENT, PART OR ASSEMBLY DESCRIBED IN THIS DOCUMENT MUST COMPLY WITH THE EU (EUROPEAN UNION) DIRECTIVE RoHS2 CONTAINS <0.1% OF ANY SVHC BY WEIGHT PER REACH REGULATION		MATERIAL	
UNLESS OTHERWISE SPECIFIED DIMENSIONS ARE IN INCHES (MM) TOLERANCES ARE: ANGLES: ± 1° 1 PLACE .X: ± .1 [2.5] 2 PLACE .XX: ± .03 [0.76] 3 PLACE .XXX: ± .010 [0.254]		DRAWN: WF, DATE: 01/22/20 CHECKED: WF, DATE: 01/23/20 APPROVED: PY, DATE: 01/24/20	
		SIZE: D	DWG No.: CD 1321-3RA45-C
		SCALE: 1:2	REV: 00

CONFIDENTIAL AND PROPRIETARY INFORMATION THIS DOCUMENT CONTAINS CONFIDENTIAL AND PROPRIETARY INFORMATION OF MTE CORPORATION AND MAY NOT BE USED, COPIED OR DISCLOSED TO OTHERS EXCEPT WITH THE AUTHORIZED WRITTEN PERMISSION OF MTE CORPORATION		
DESCRIPTION LINE/LOAD REACTOR w/ENCLOSURE		
SIZE: D	DWG No.: CD 1321-3RA45-C	REV: 00
SCALE: 1:2	SHEET 1 OF 1	