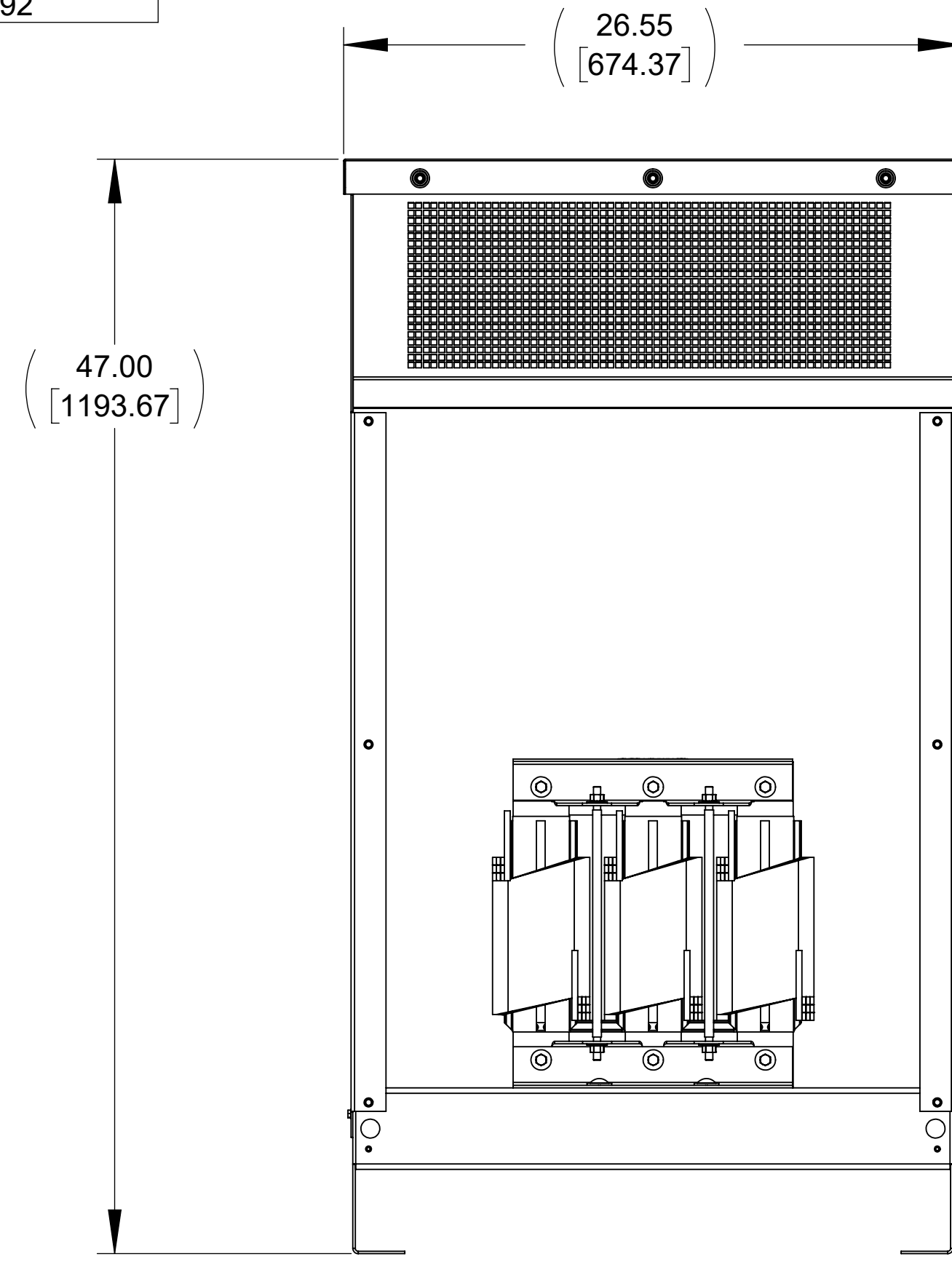
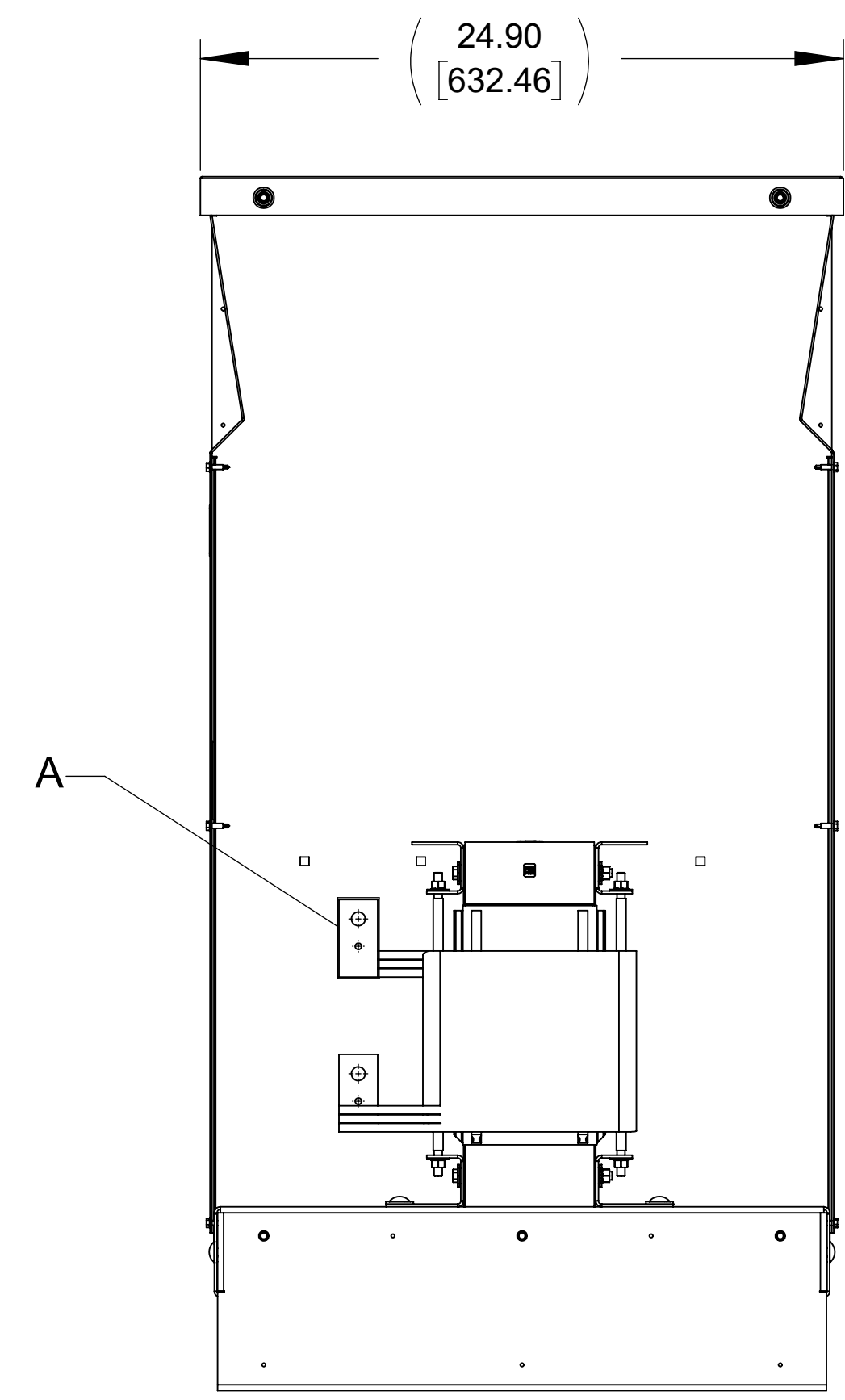


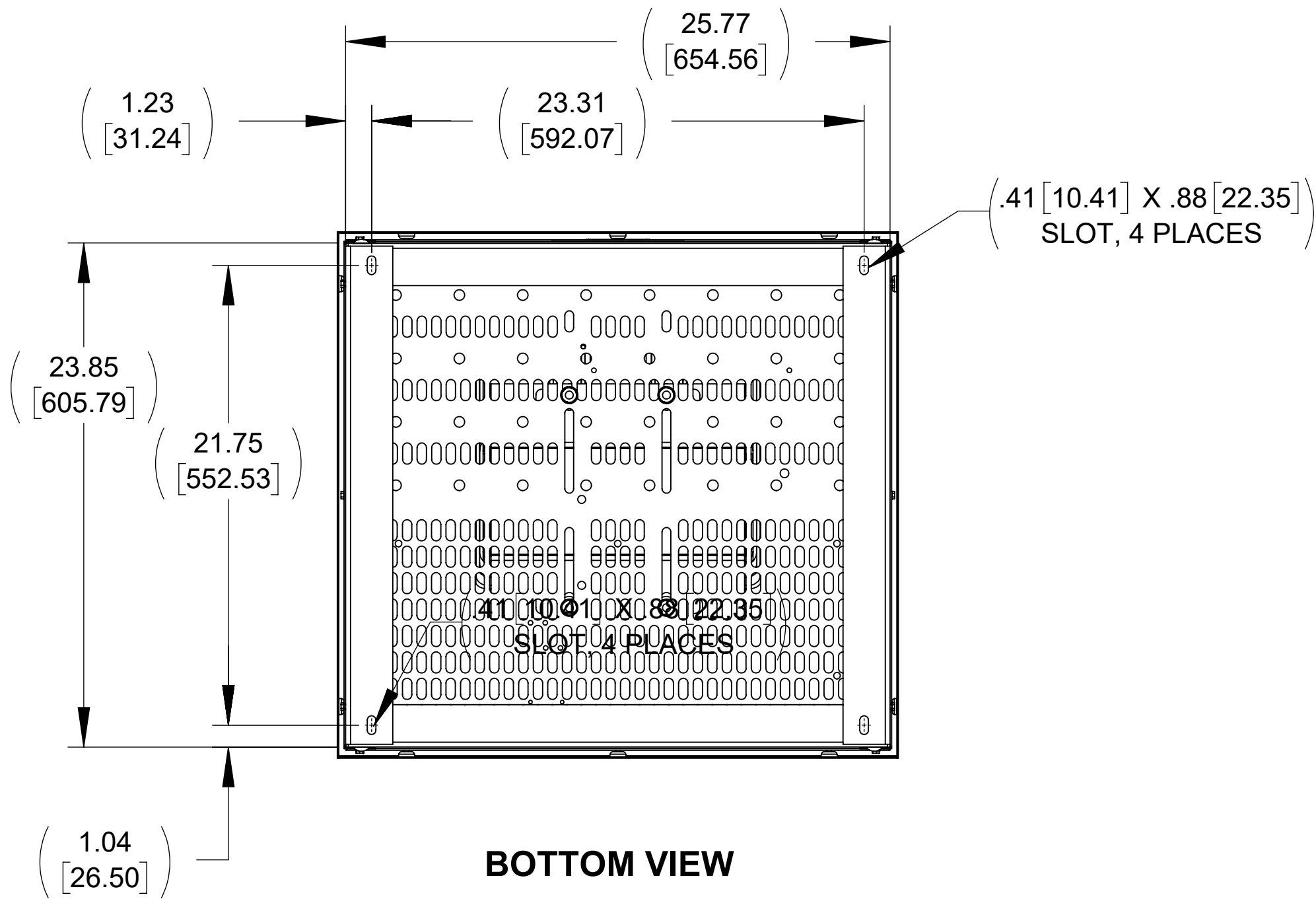
APPROX. WEIGHT (LBS)  
392



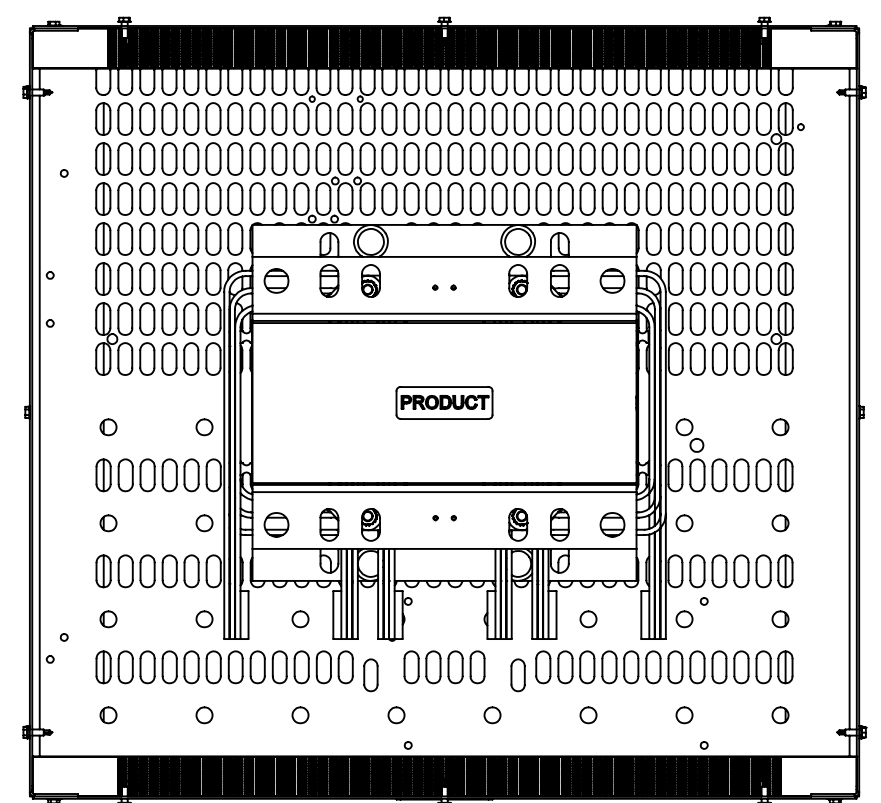
FRONT VIEW (PANEL REMOVED)



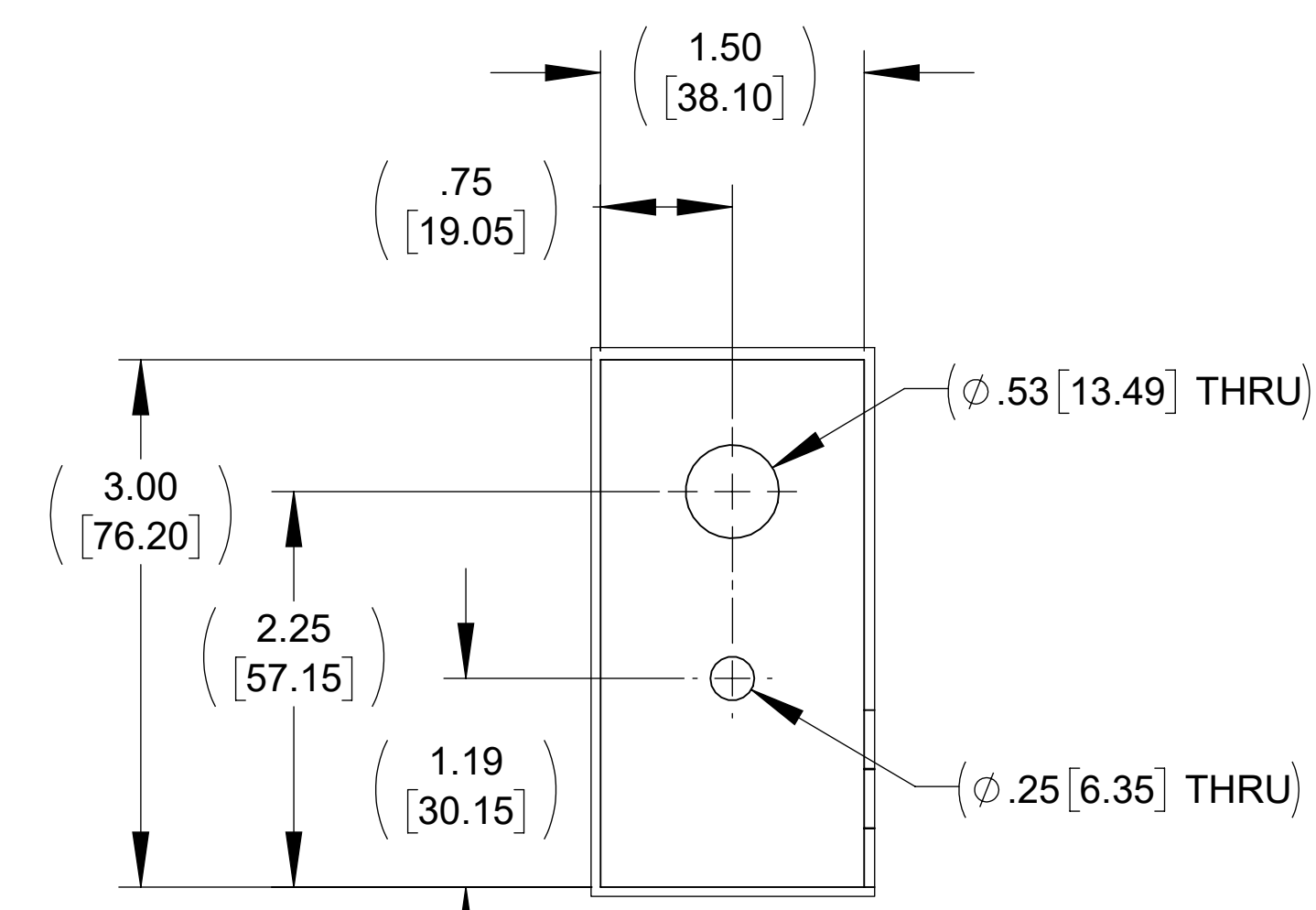
SIDE VIEW (PANEL REMOVED)



BOTTOM VIEW



TOP VIEW (PANEL REMOVED)



DETAIL A (6 PLACES)

**NOTES:**

1. REFER TO USER MANUAL FOR COMPLETE INSTALLATION INSTRUCTIONS.

<p>THE COMPONENT, PART OR ASSEMBLY DESCRIBED IN THIS DOCUMENT MUST COMPLY WITH THE EU (EUROPEAN UNION) DIRECTIVE RoHS2</p> <p>CONTAINS &lt;0.1% OF ANY SVHC BY WEIGHT PER REACH REGULATION</p>		<p>MATERIAL</p>		<p>CONFIDENTIAL AND PROPRIETARY INFORMATION THIS DOCUMENT CONTAINS CONFIDENTIAL AND PROPRIETARY INFORMATION OF MTE CORPORATION AND MAY NOT BE USED, COPIED OR DISCLOSED TO OTHERS EXCEPT WITH THE AUTHORIZED WRITTEN PERMISSION OF MTE CORPORATION</p>	
<p>UNLESS OTHERWISE SPECIFIED DIMENSIONS ARE IN INCHES (MM) TOLERANCES ARE:</p> <p>ANGLES: ± 1°</p> <p>1 PLACE .X: ± .1 [2.5]</p> <p>2 PLACE .XX: ± .03 [0.76]</p> <p>3 PLACE .XXX: ± .010 [0.254]</p>		<p>Rockwell Automation</p>		<p>DESCRIPTION</p> <p>LINE/LOAD REACTOR w/ENCLOSURE</p>	
<p>DRAWN WF</p> <p>CHECKED WF</p> <p>APPROVED PY</p>	<p>DATE 01/22/20</p> <p>DATE 01/23/20</p> <p>DATE 01/24/20</p>	<p>SIZE D</p> <p>SCALE 1:6</p>	<p>DWG No. CD 1321-3RA750-C</p>	<p>REV 00</p>	<p>SHEET 1 OF 1</p>

ECO No	DESCRIPTION	REV BY	DATE

CRITICAL TO QUALITY CLASSIFICATION TABLE				
<p>P-PROFORMANCE FIT/ASSEMBLY                      F-IDENTIFIABLE CLASSIFICATIONS                      E-ENGINEERING AND/OR MANUFACTURING REQUIREMENT                      R-REGULATORY REQUIREMENT/COMPLIANCE IS MANDATORY</p>				
COMMENTS	DRAWING ZONE	P	F	R
ROHS	G1-H1			X

