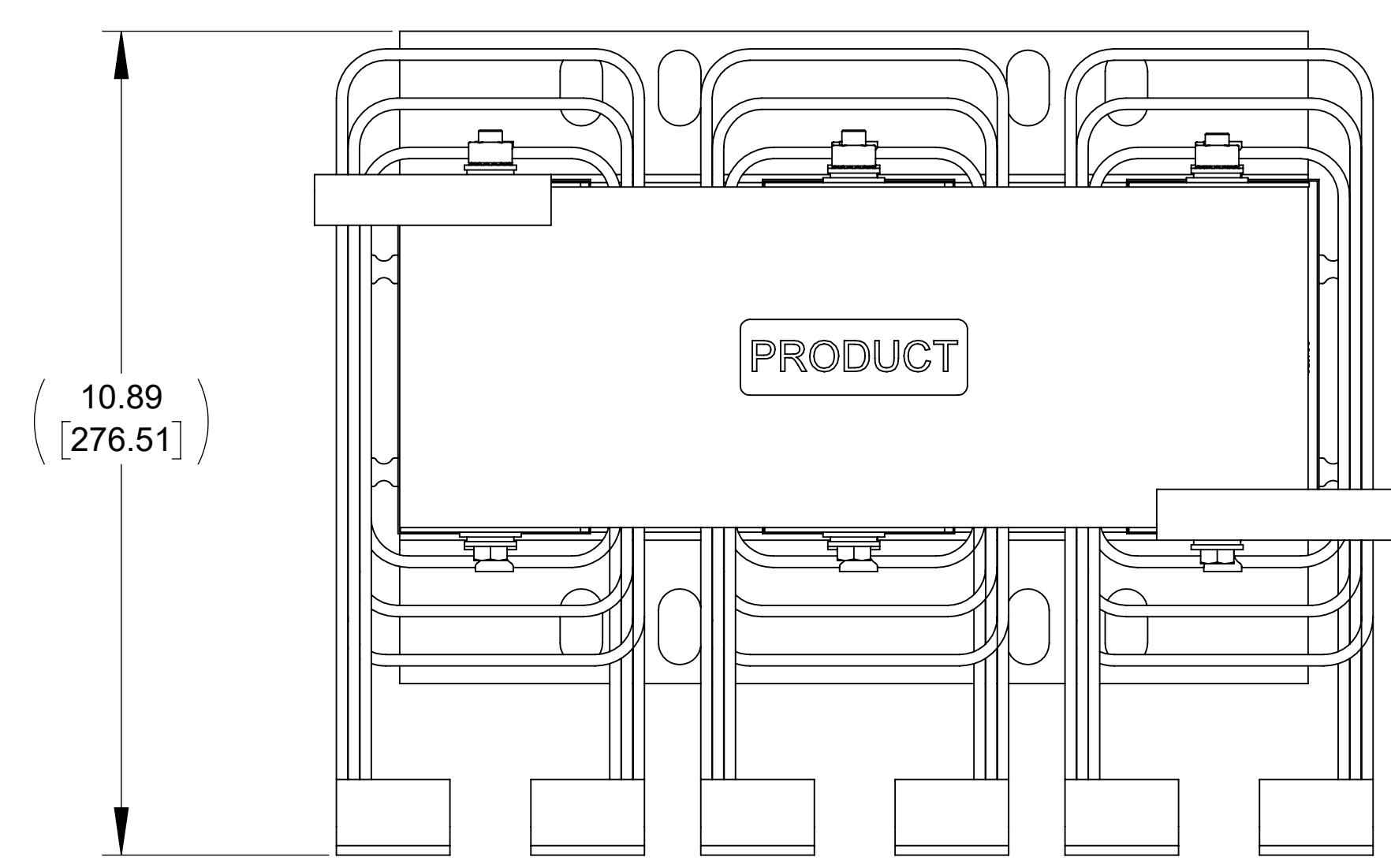


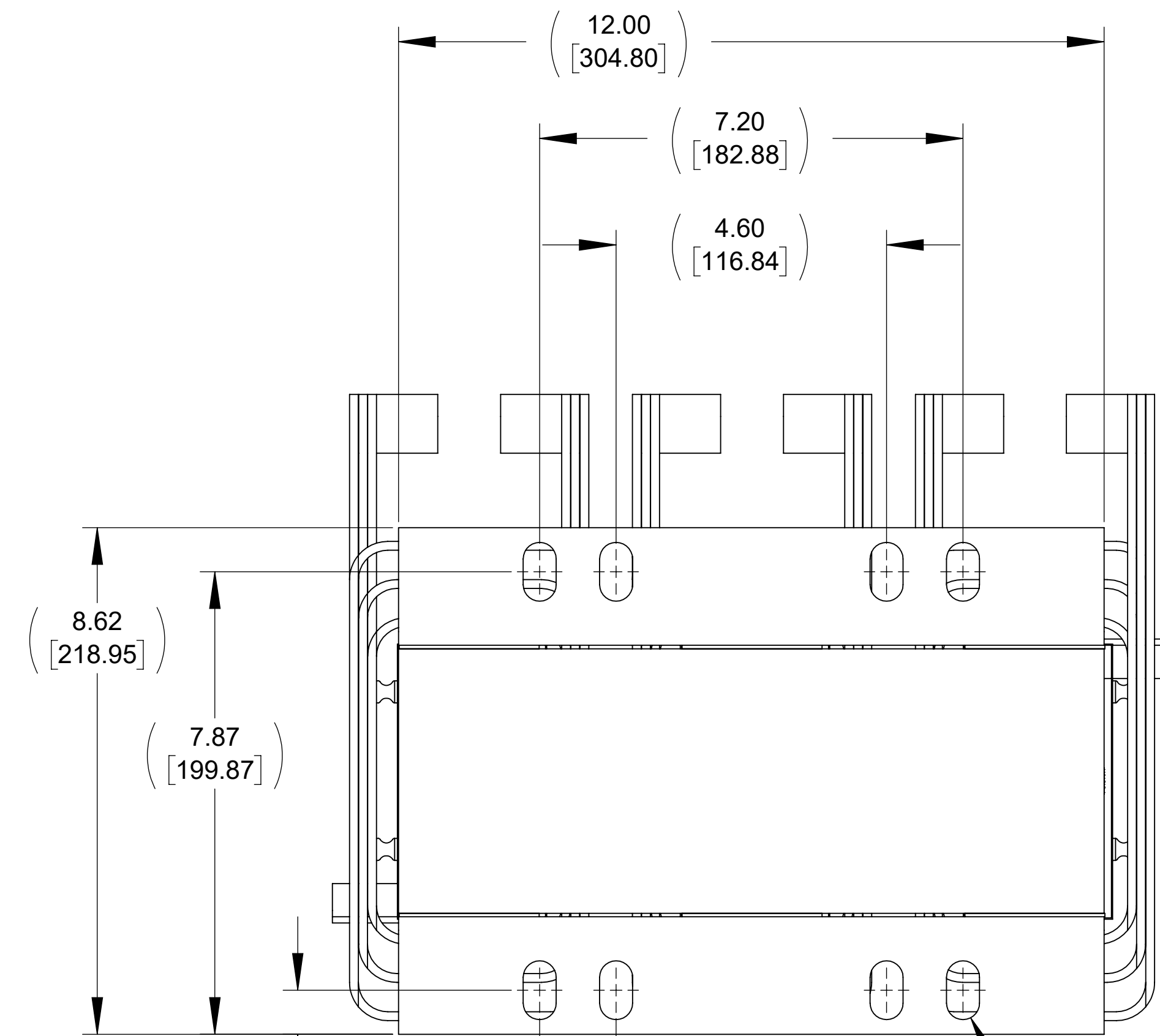
APPROX. WEIGHT (LBS)  
176

ECO No	DESCRIPTION	REV BY	DATE

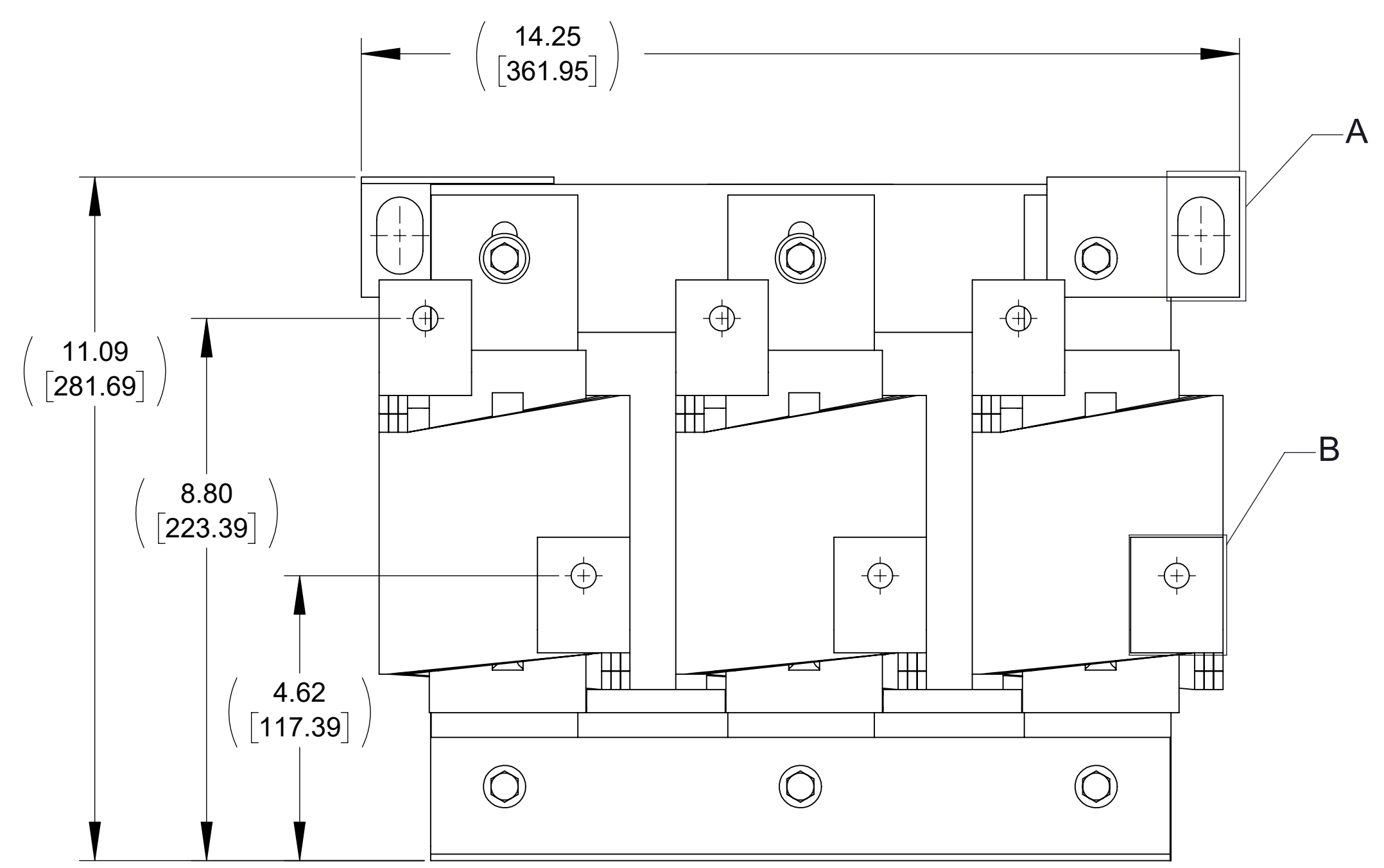
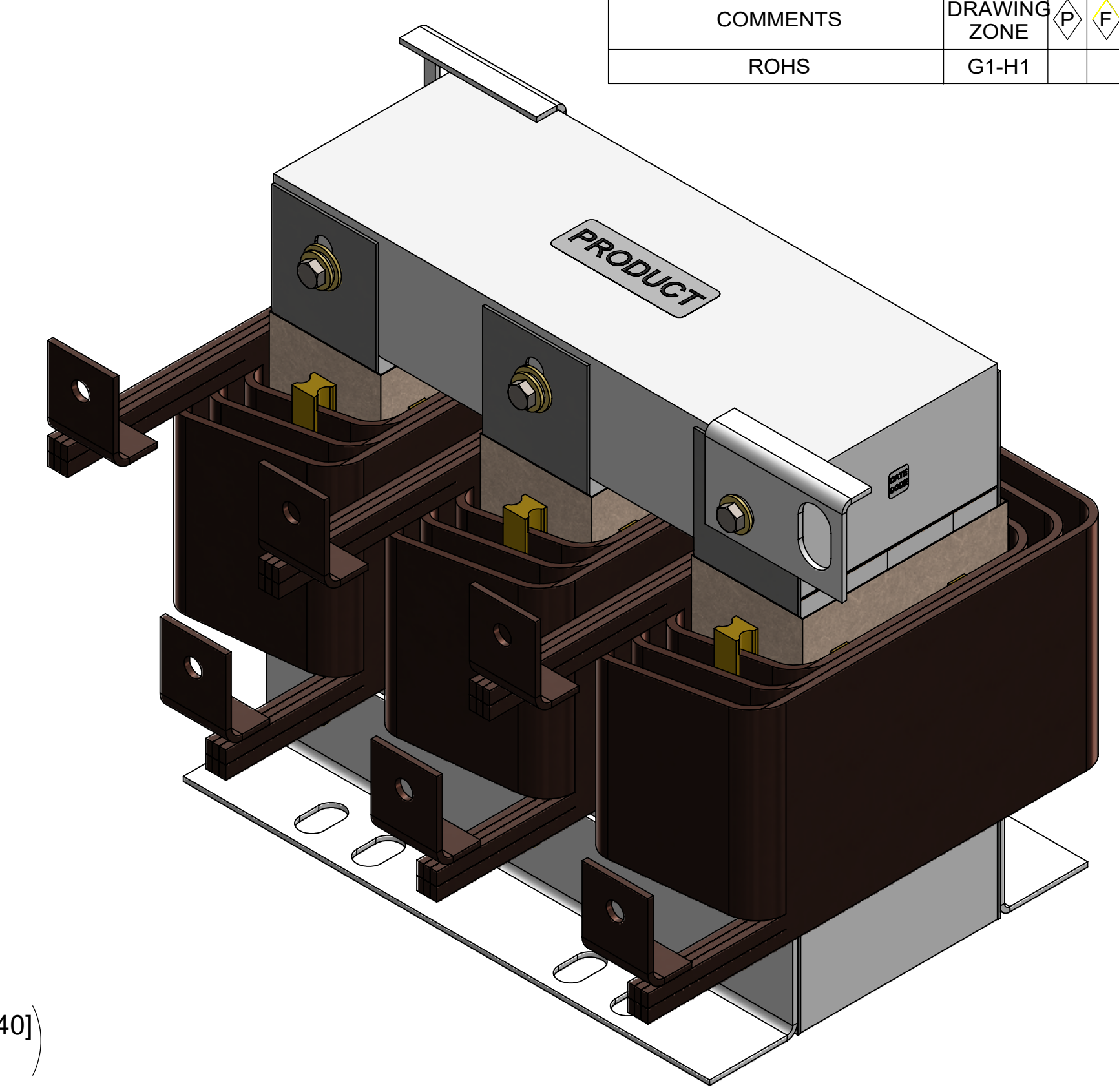
CRITICAL TO QUALITY CLASSIFICATION TABLE				
PERFORMANCE FIT ASSEMBLY IDENTIFIED APPLICABLE CLASSIFICATIONS ENGINEERING AND/OR MANUFACTURING REQUIREMENT REGULATORY REQUIREMENT/COMPLIANCE MANDATORY				
COMMENTS	DRAWING ZONE	F	A	R
ROHS	G1-H1			X



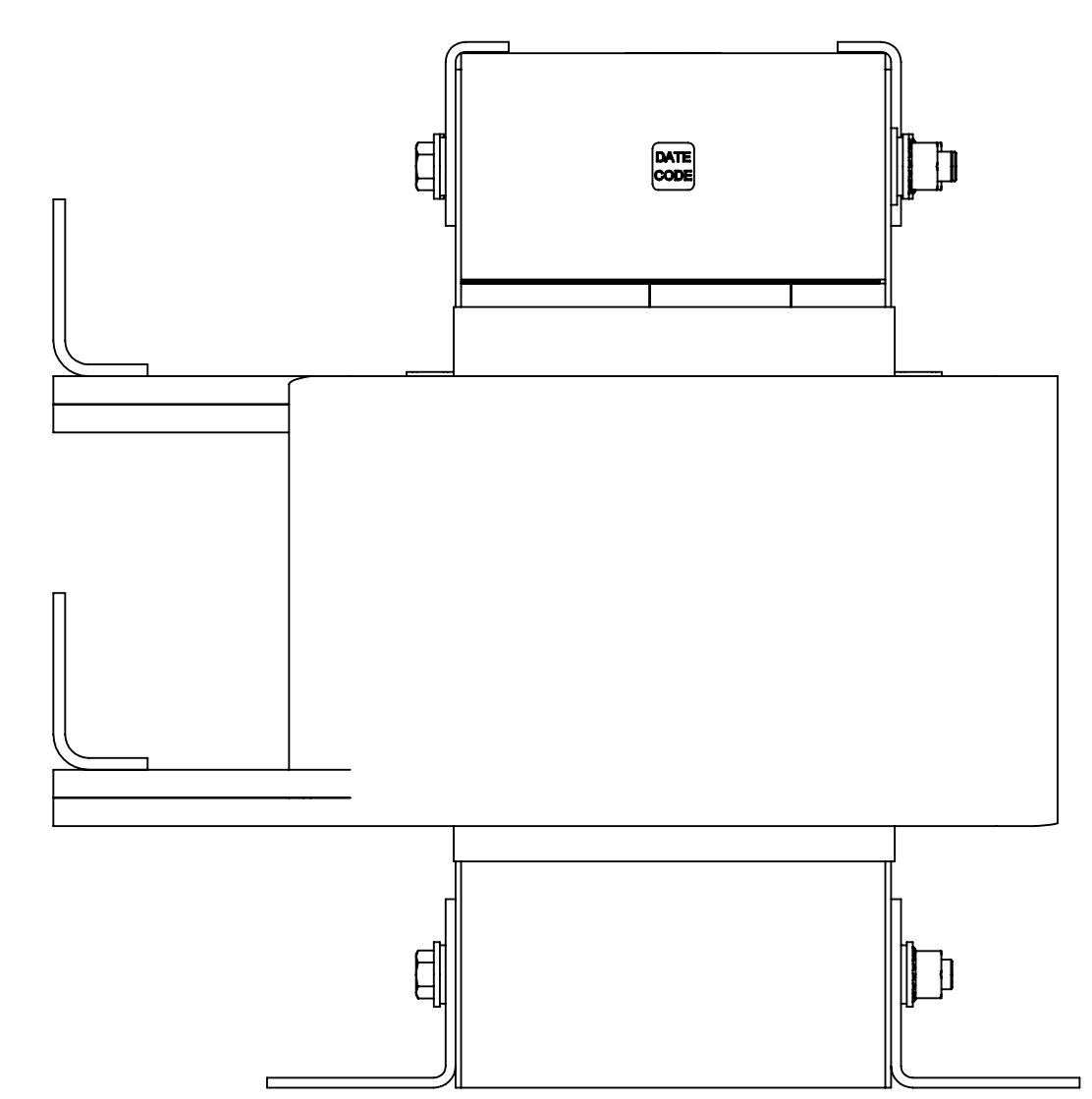
TOP VIEW



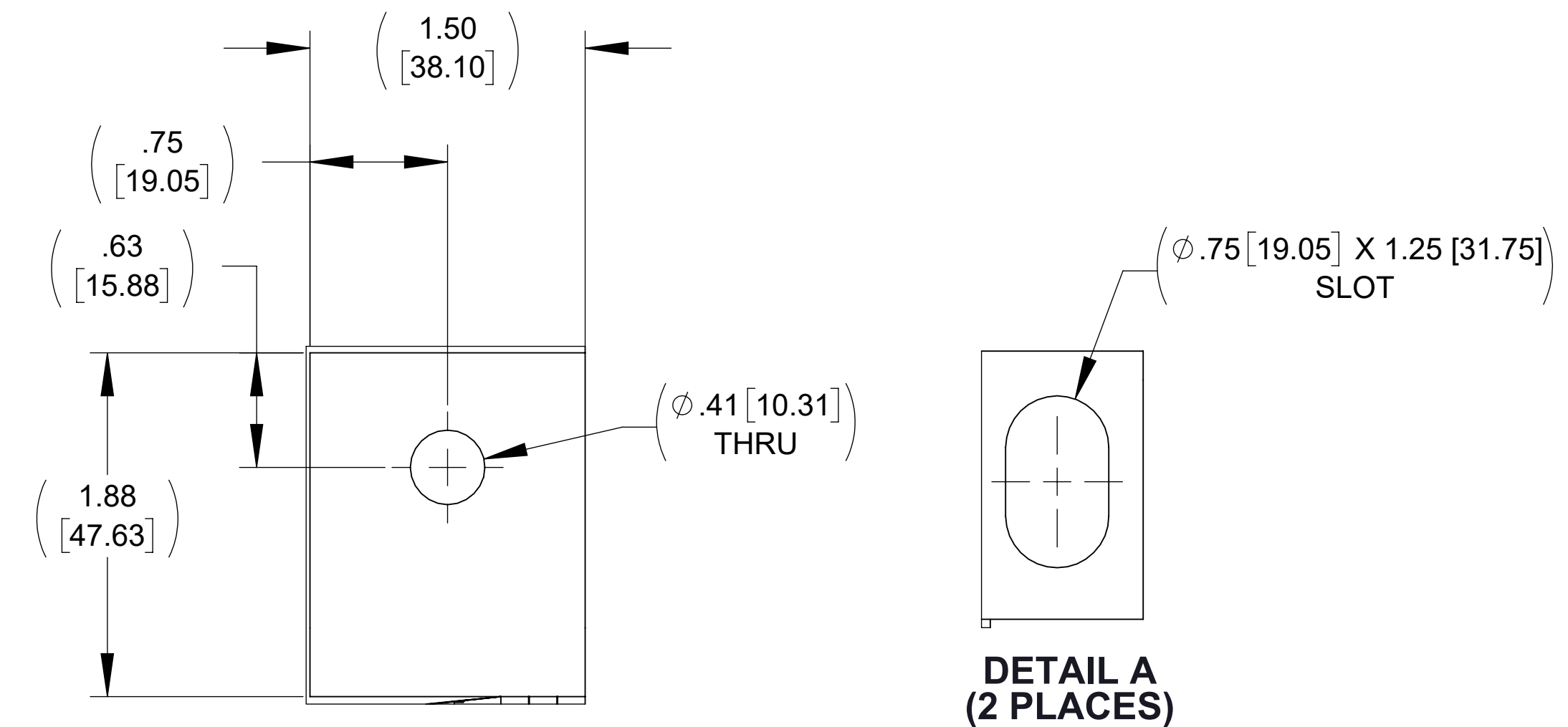
BOTTOM VIEW



FRONT VIEW



SIDE VIEW



**NOTES:**

- REFER TO USER MANUAL FOR COMPLETE INSTALLATION INSTRUCTIONS.

THE COMPONENT, PART OR ASSEMBLY DESCRIBED IN THIS DOCUMENT MUST COMPLY WITH THE EU (EUROPEAN UNION) DIRECTIVE RoHS2 CONTAINS <math>< .01\%</math> OF ANY SVHC BY WEIGHT PER REACH REGULATION		MATERIAL		CONFIDENTIAL AND PROPRIETARY INFORMATION THIS DOCUMENT CONTAINS CONFIDENTIAL AND PROPRIETARY INFORMATION OF MTE CORPORATION AND MAY NOT BE USED, COPIED OR DISCLOSED TO OTHERS EXCEPT WITH THE AUTHORIZED WRITTEN PERMISSION OF MTE CORPORATION		
UNLESS OTHERWISE SPECIFIED DIMENSIONS ARE IN INCHES [MM] TOLERANCES ARE: ANGLES: $\pm 1^\circ$ 1 PLACE .X: $\pm .1 [2.5]$ 2 PLACE .XX: $\pm .03 [0.76]$ 3 PLACE .XXX: $\pm .010 [0.254]$				DESCRIPTION LINE/LOAD REACTOR		
DRAWN WF	DATE 01/22/20			SIZE D	DWG No. CD 1321-3RB400-C	REV 00
CHECKED WF	DATE 01/23/20			SCALE 1:2	SHEET 1 OF 1	
APPROVED PY	DATE 01/24/20					