

1

2

3

4

5

6

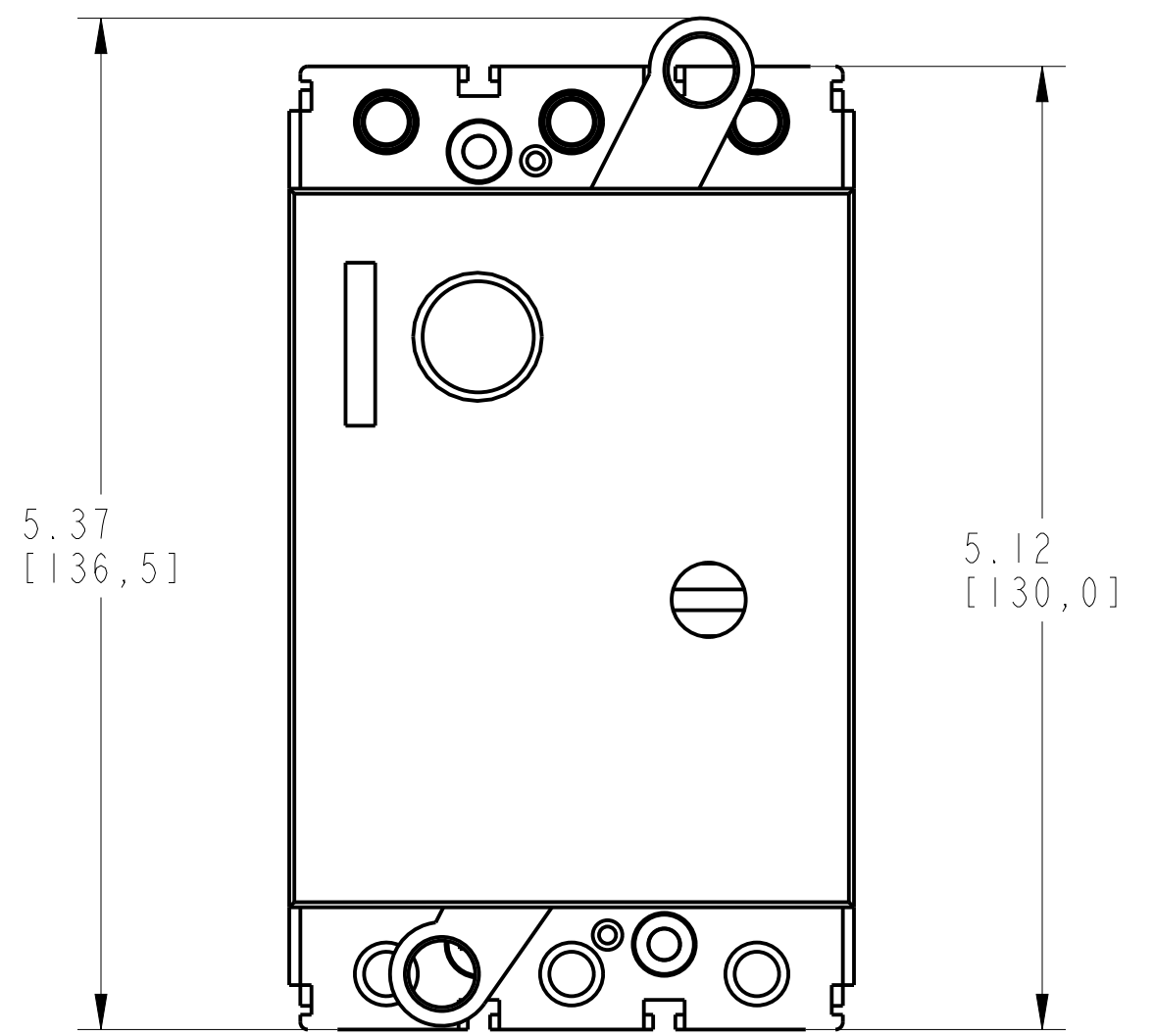
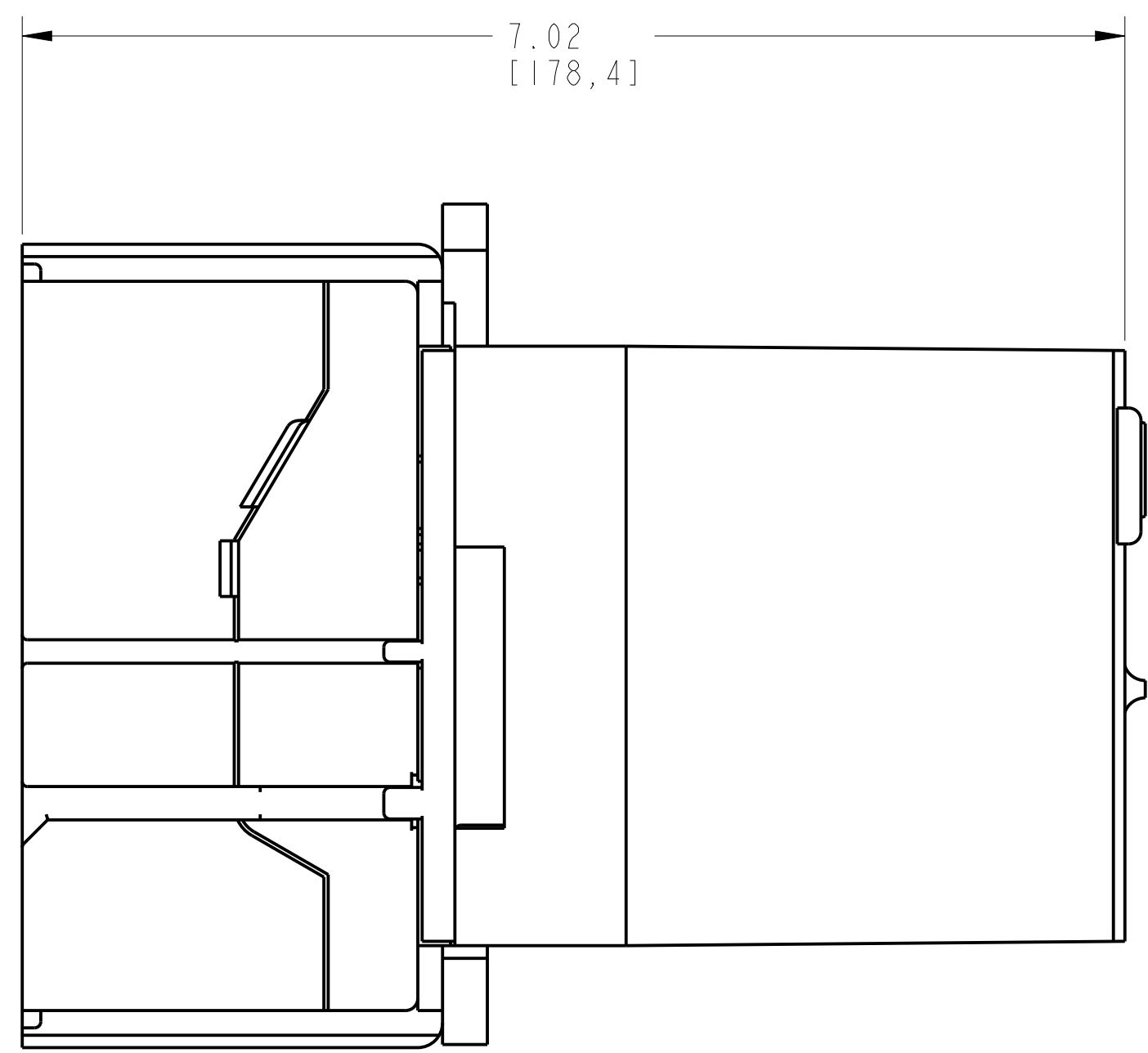
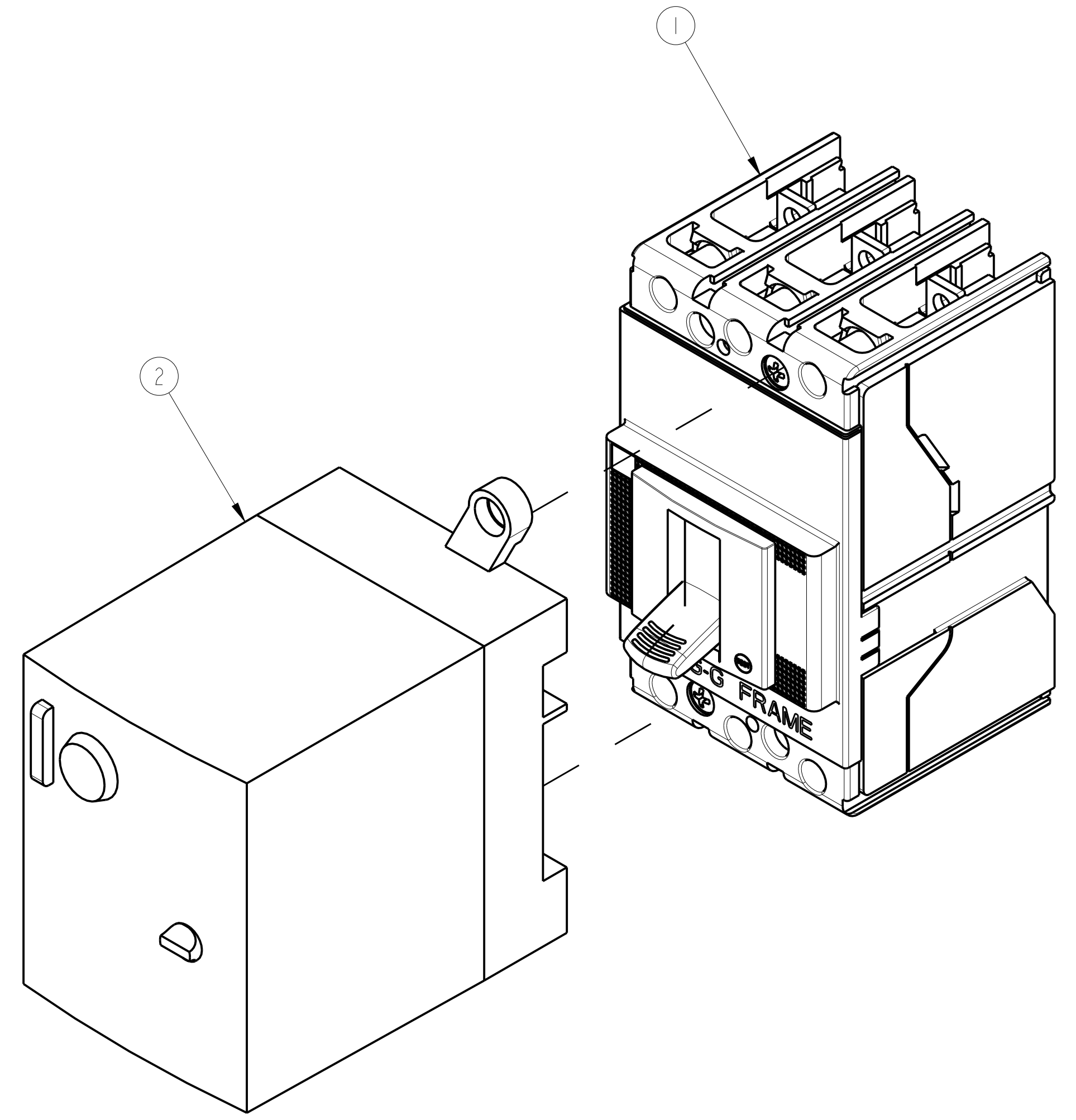
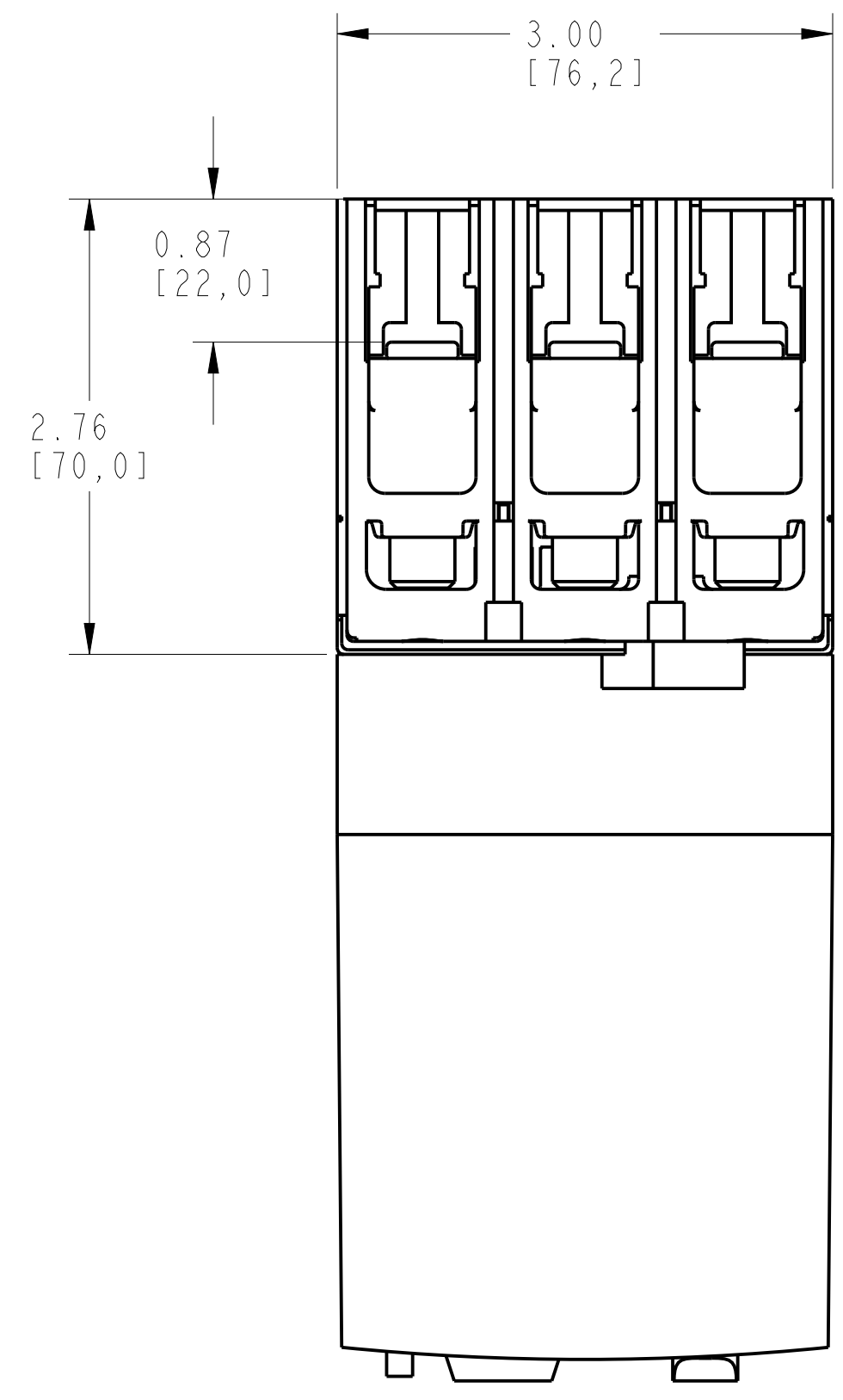
7

8

MOTOR OPERATOR EOP ASSEMBLY

ITEM	DESCRIPTION	QTY	AB CAT NUMBER
1	MOLDED CASE CIRCUIT BREAKER 3POLE	1	140G-G-3P CB
2	MOTOR OPERATOR EOP	1	140G-G-EOP

A
B
C
D
E
F
G
H



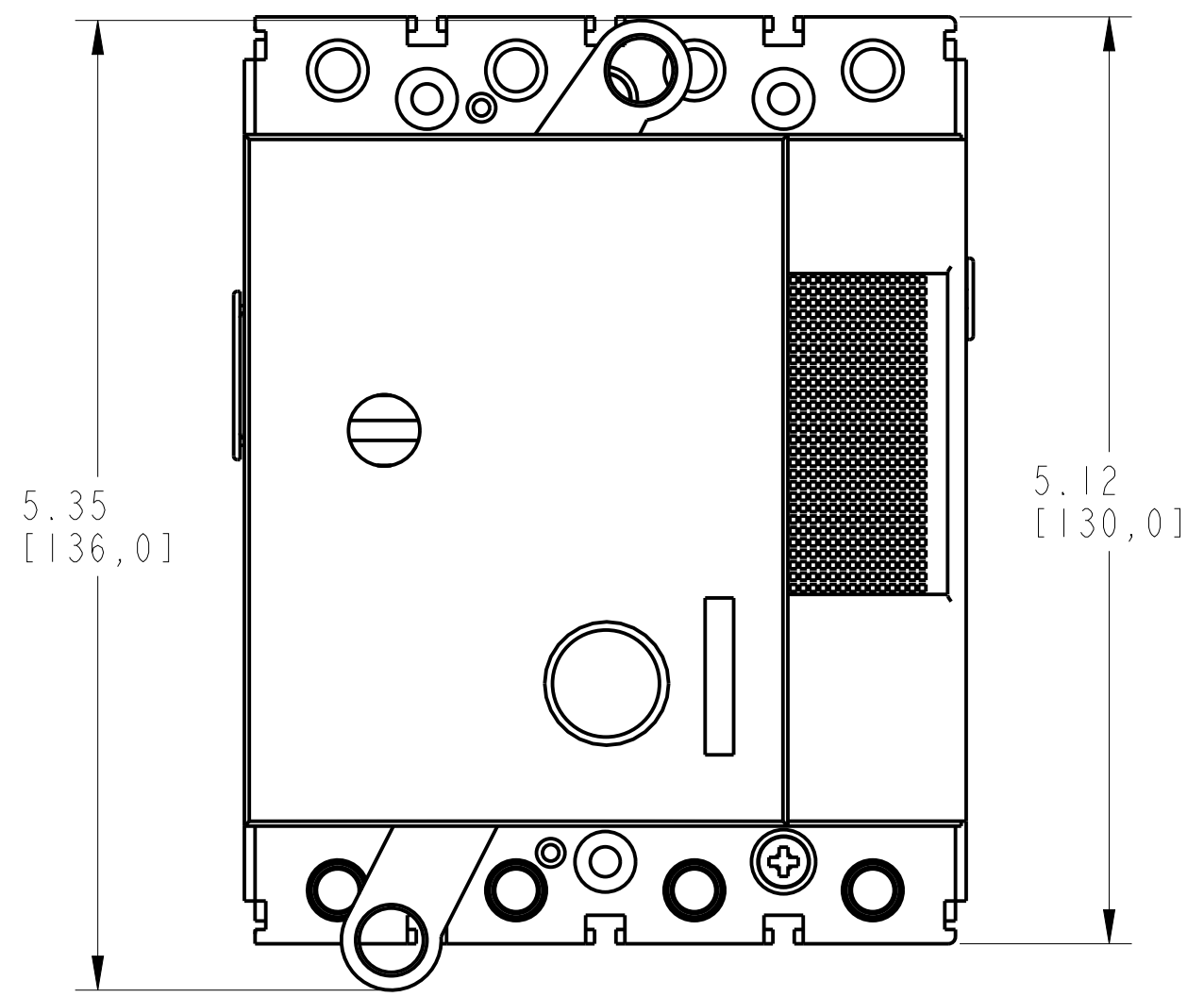
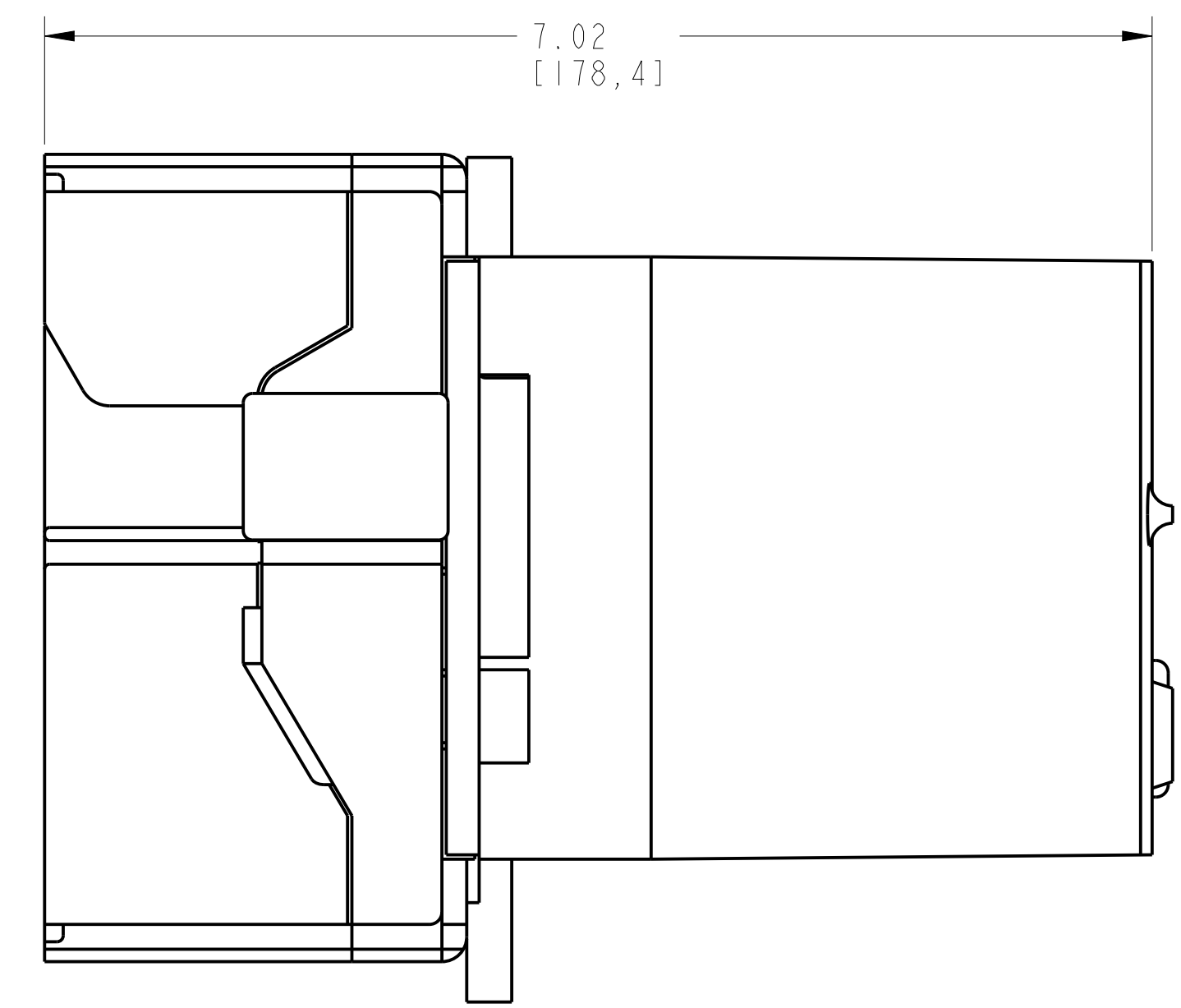
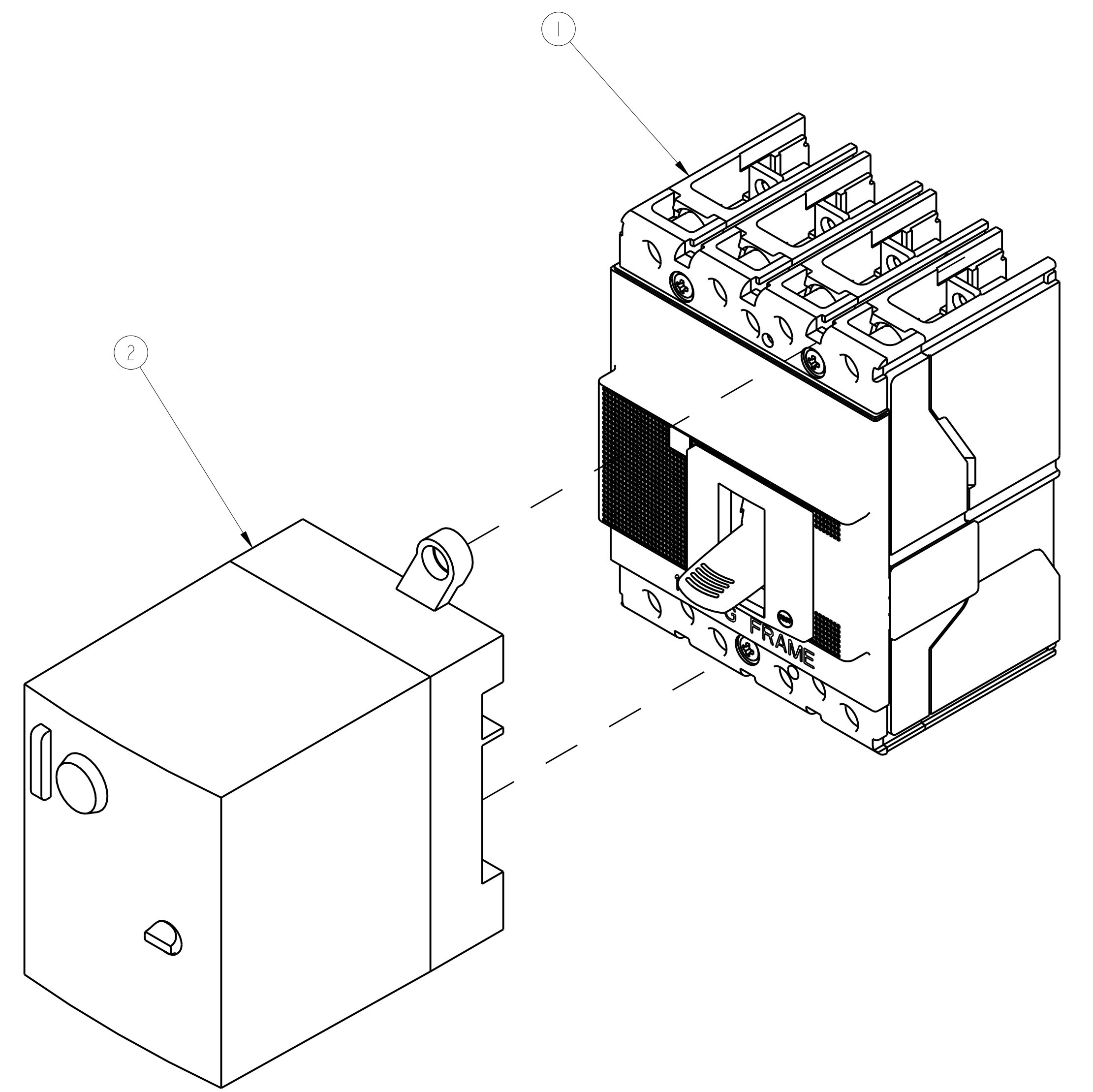
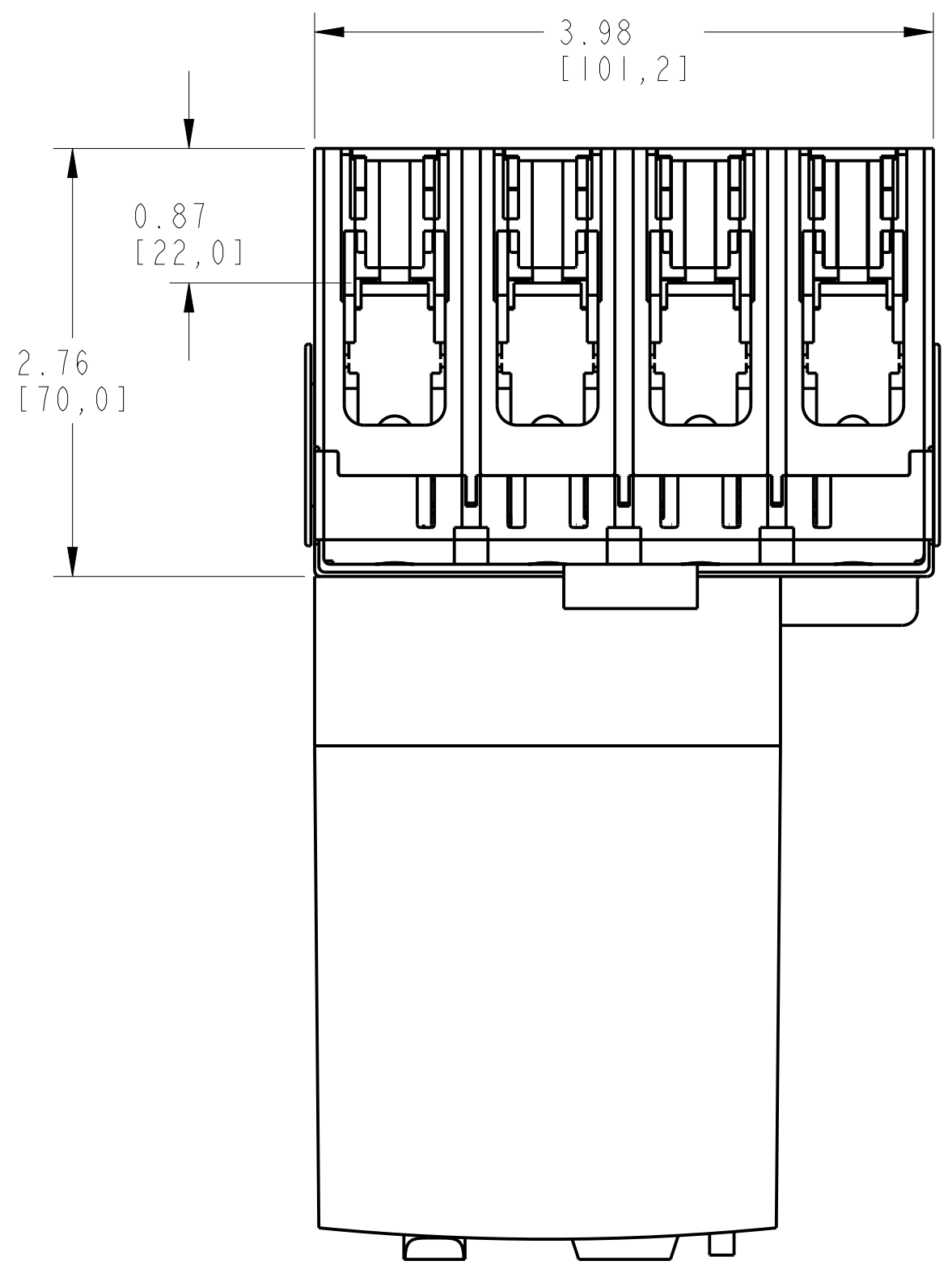
MOTOR OPERATOR EOP ASSEMBLED TO 140G-G-3-POLE
SCALE 1:1

		<small>CONFIDENTIAL AND PROPRIETARY INFORMATION. THIS DOCUMENT CONTAINS CONFIDENTIAL AND PROPRIETARY INFORMATION OF ROCKWELL AUTOMATION, INC. AND MAY NOT BE USED, COPIED OR DISCLOSED TO OTHERS, EXCEPT WITH THE AUTHORIZED WRITTEN PERMISSION OF ROCKWELL AUTOMATION, INC.</small>	
		Sheet 1 Of 3	
EOP ASSEMBLED TO 140G-G-3P & 4P CB		Size D	Ver 00
Drawn by: UMUNUSW	Date: 22-Nov-13	10000854927	

1 2 3 4 5 6 7 8

MOTOR OPERATOR EOP ASSEMBLY

ITEM	DESCRIPTION	QTY	AB CAT NUMBER
1	MOLDED CASE CIRCUIT BREAKER 4POLE	1	140G-G-4P CB
2	MOTOR OPERATOR EOP	1	140G-G-EOP



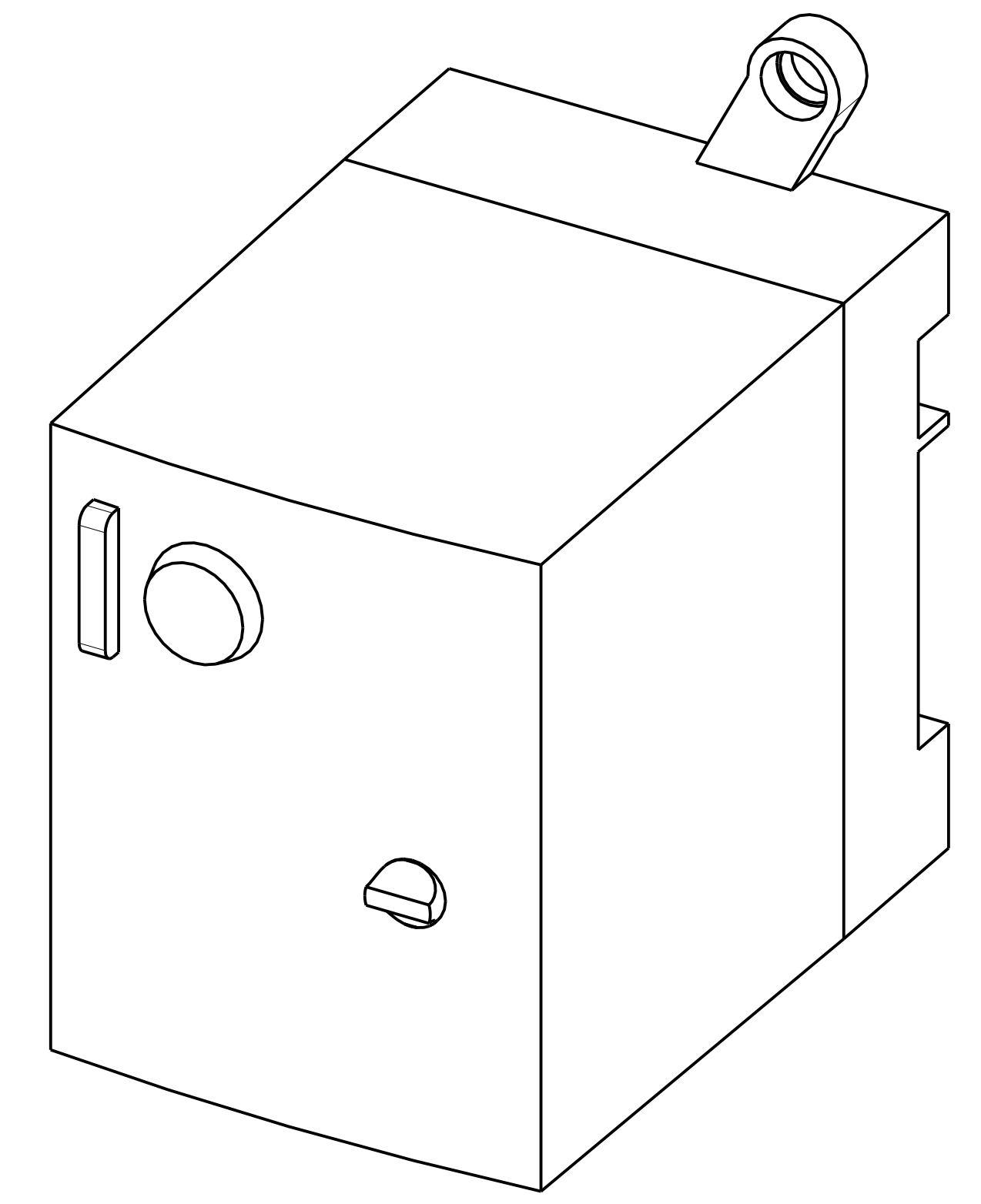
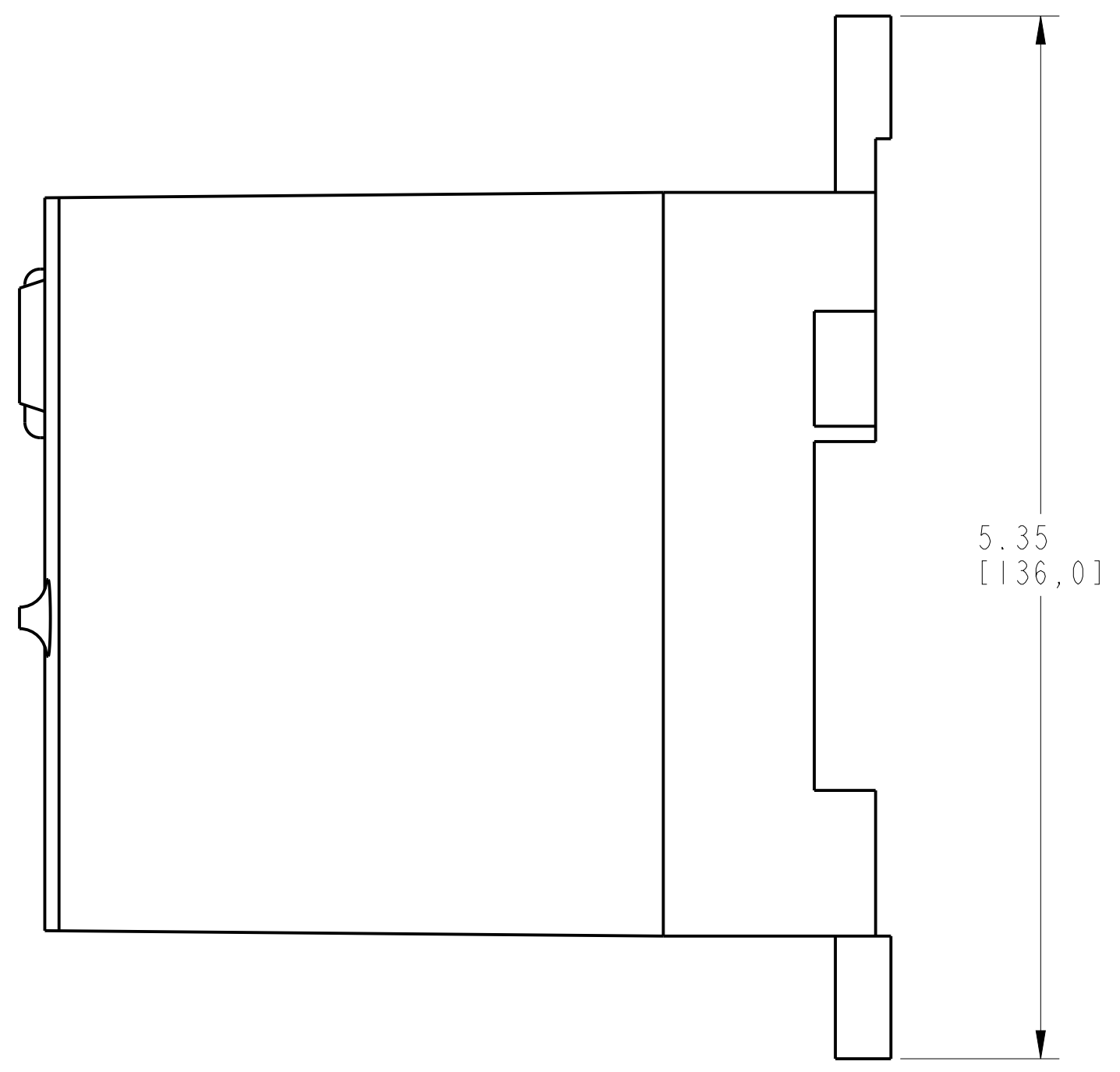
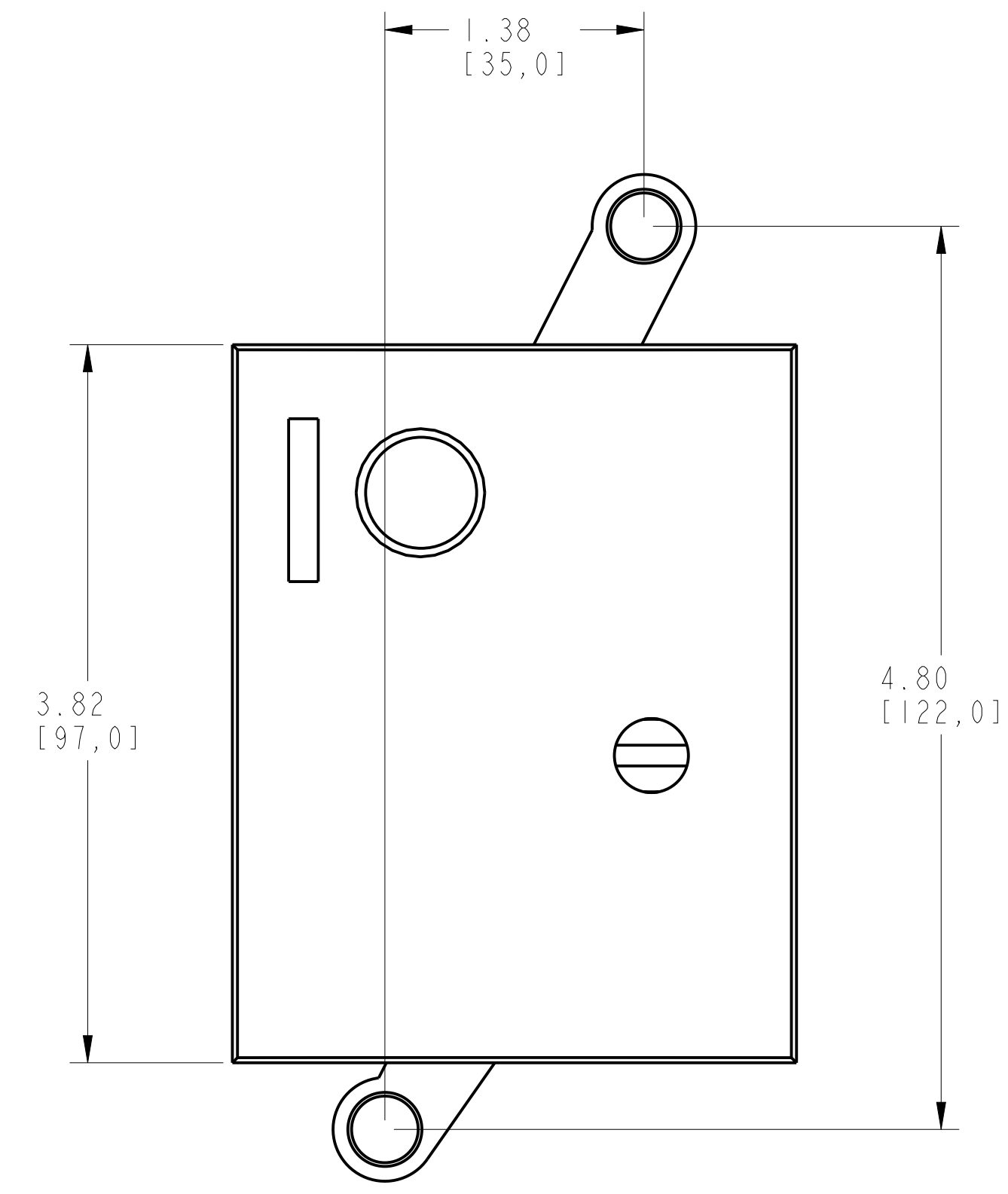
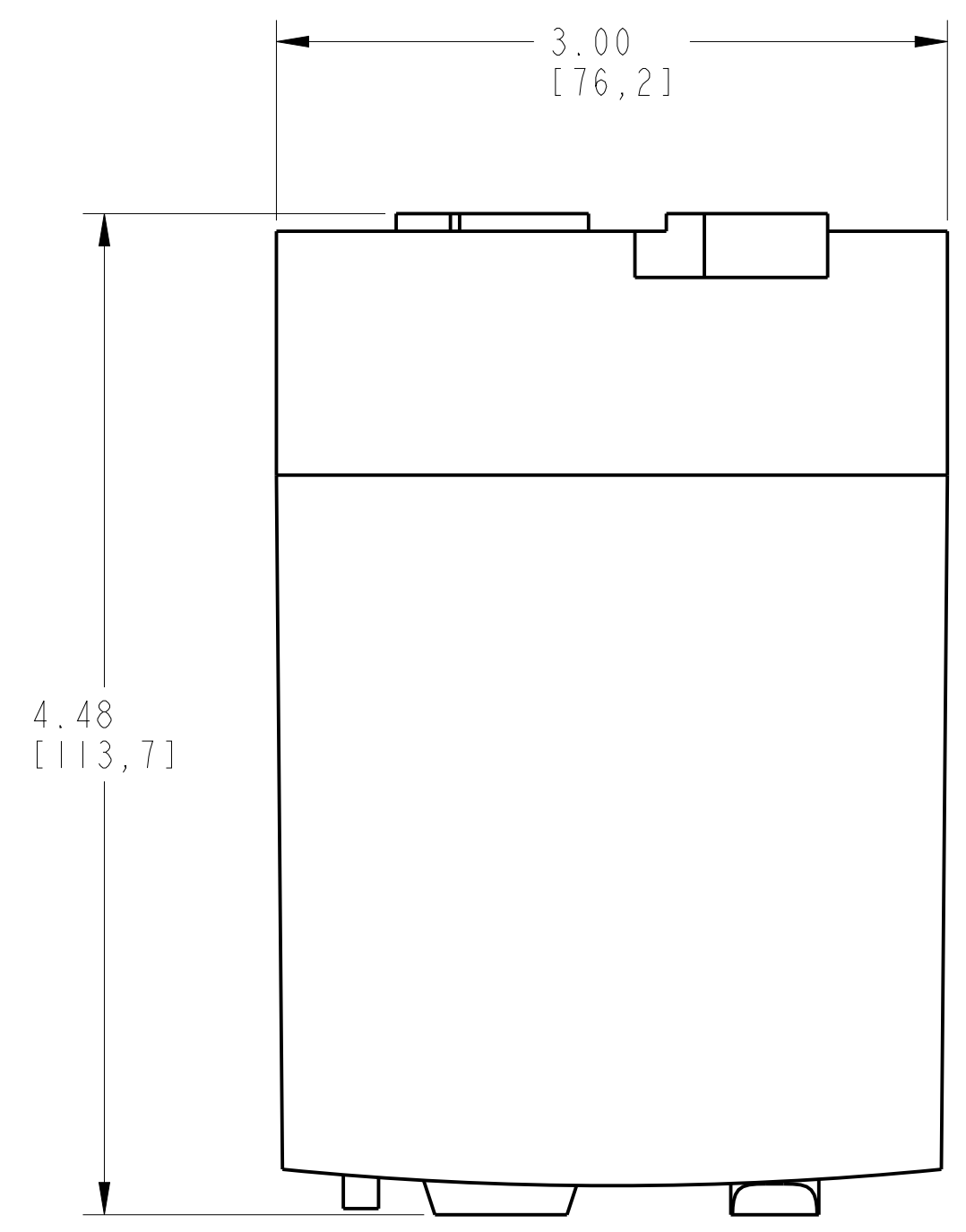
MOTOR OPERATOR EOP ASSEMBLED TO 140G-G-4-POLE

SCALE 1:1

		<small>CONFIDENTIAL AND PROPRIETARY INFORMATION. THIS DOCUMENT CONTAINS CONFIDENTIAL AND PROPRIETARY INFORMATION OF ROCKWELL AUTOMATION, INC. AND MAY NOT BE USED, COPIED OR DISCLOSED TO OTHERS, EXCEPT WITH THE AUTHORIZED WRITTEN PERMISSION OF ROCKWELL AUTOMATION, INC.</small>	
		Sheet 2 Of 3	
EOP ASSEMBLED TO 140G-G-3P & 4P CB		Size D	Ver 00
Drawn by: UMUNUSW	Date: 22-Nov-13	10000854927	

1 2 3 4 5 6 7 8

A
B
C
D
E
F
G
H



ISOMETRIC VIEW

ITEM 2 : MOTOR OPERATOR EOP
SCALE 1.3:1

		<small>CONFIDENTIAL AND PROPRIETARY INFORMATION THIS DOCUMENT CONTAINS CONFIDENTIAL AND PROPRIETARY INFORMATION OF ROCKWELL AUTOMATION, INC. AND MAY NOT BE USED, COPIED OR DISCLOSED TO OTHERS, EXCEPT WITH THE AUTHORIZED WRITTEN PERMISSION OF ROCKWELL AUTOMATION, INC.</small>	
		Sheet 3 Of 3	
EOP ASSEMBLED TO 140G-G-3P & 4P CB		Size D	Ver 00
Drawn by: UMUNUSW	Date: 22-Nov-13	10000854927	