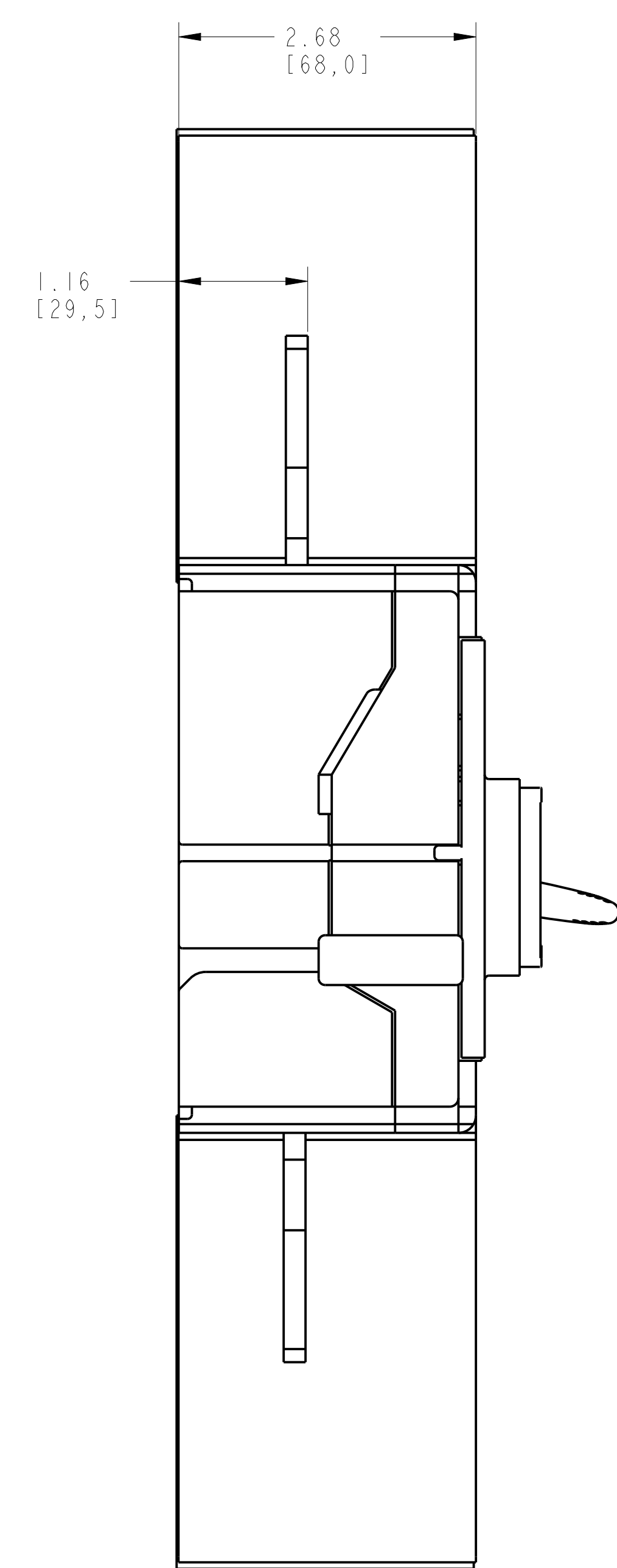
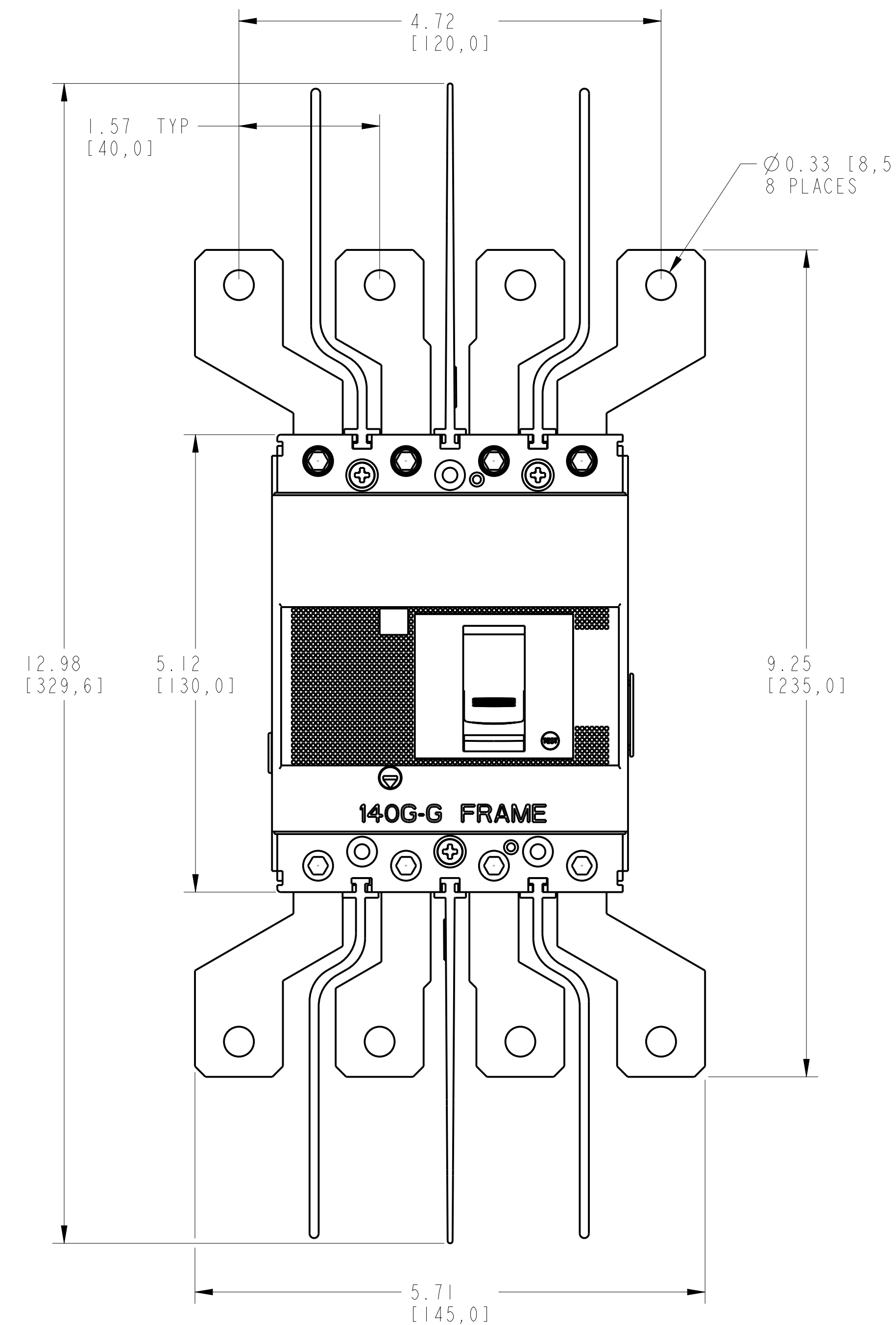
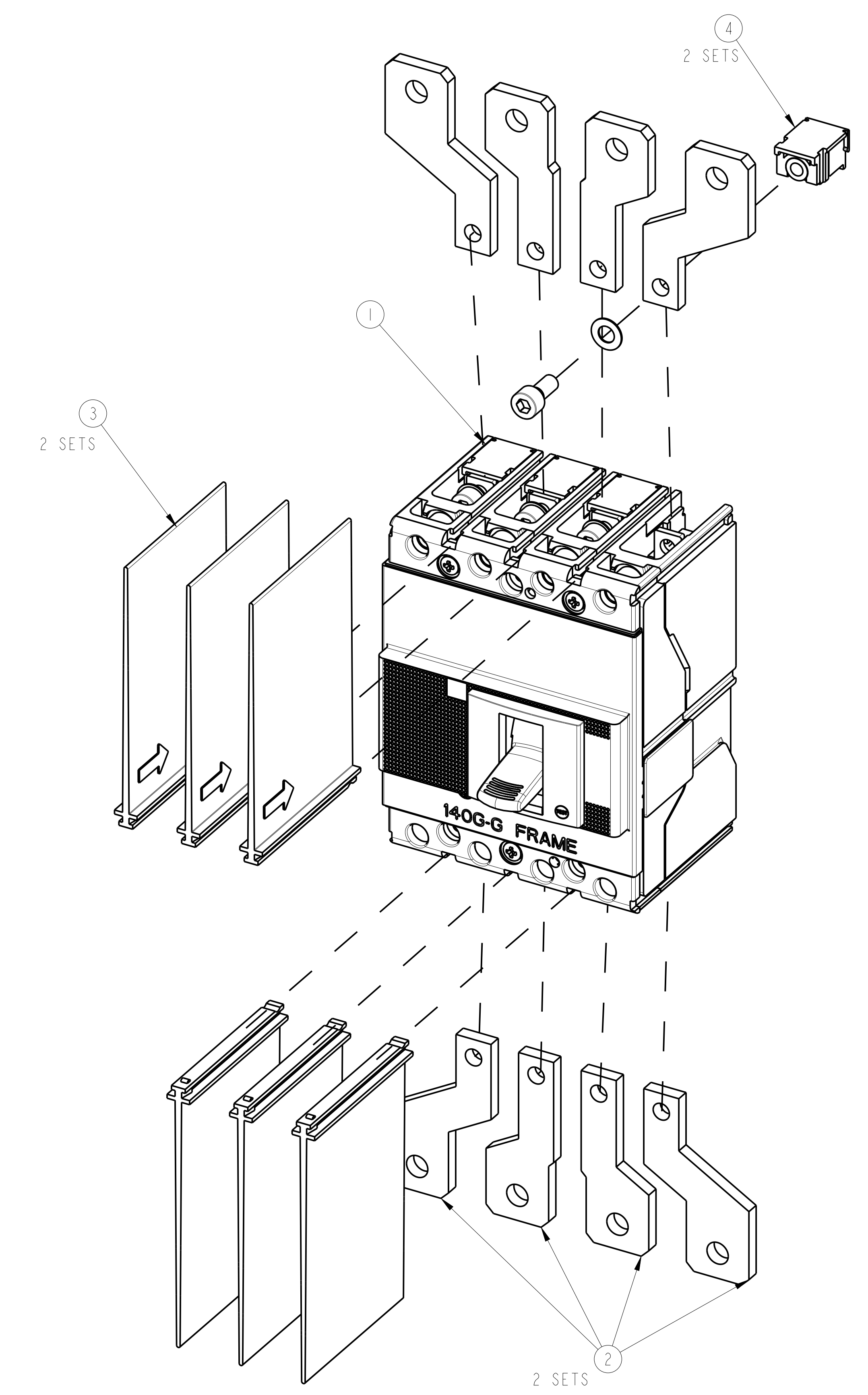
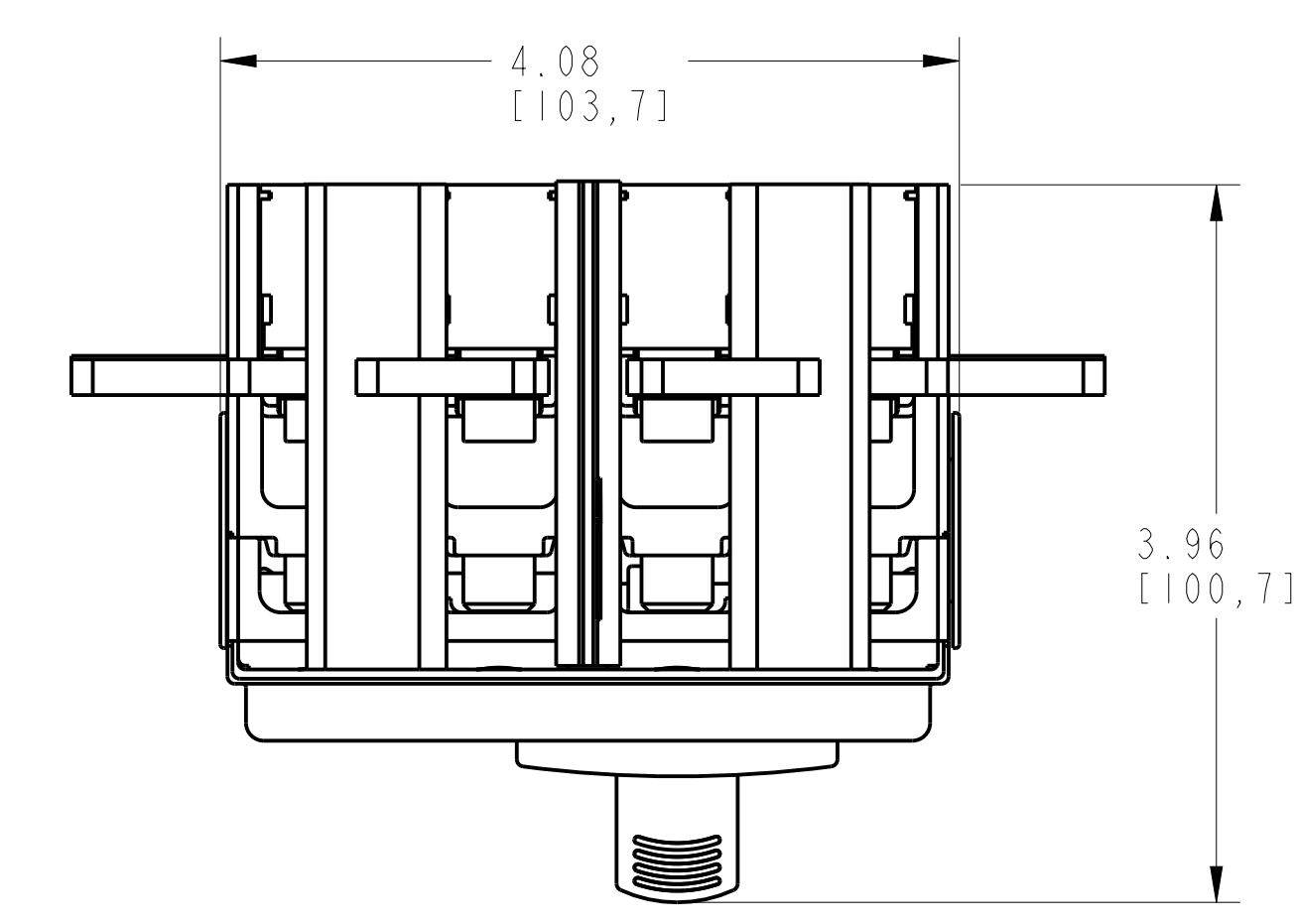
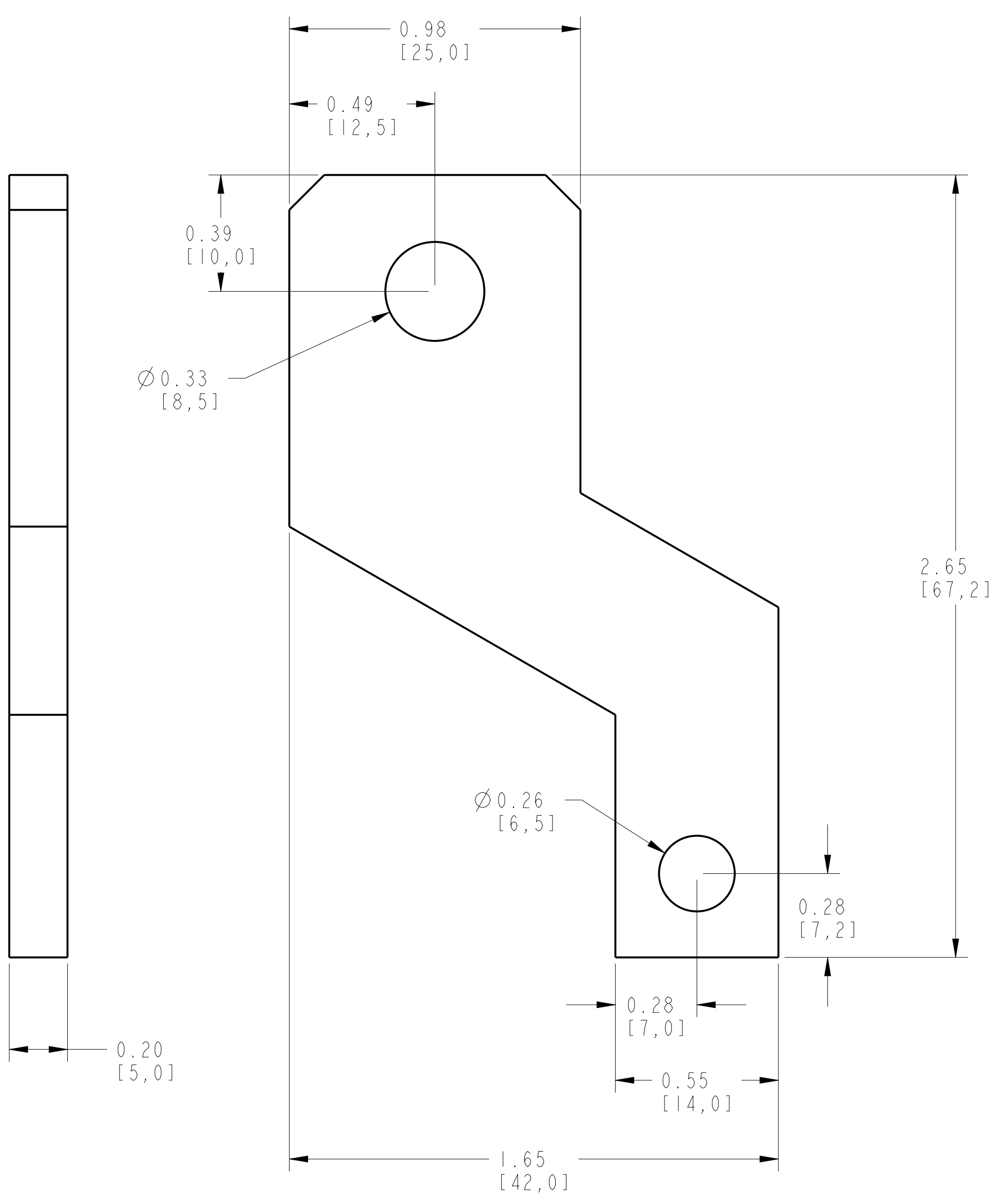


FRONT SPREADER TERMINAL ASSEMBLY			
ITEM	DESCRIPTION	QTY	AB CAT NUMBER
1	MOLDED CASE CIRCUIT BREAKER	1	140G-G-4P CB
2	FRONT SPREADER TERMINAL	2 SETS	140G-G-EXS4
3	PHASE BARRIERS LOW 4 POLE (3 PCS)	2 SETS	140G-G-PB4L
4	ENDCAP ASSEMBLY (4 PCS)	2 SETS	-

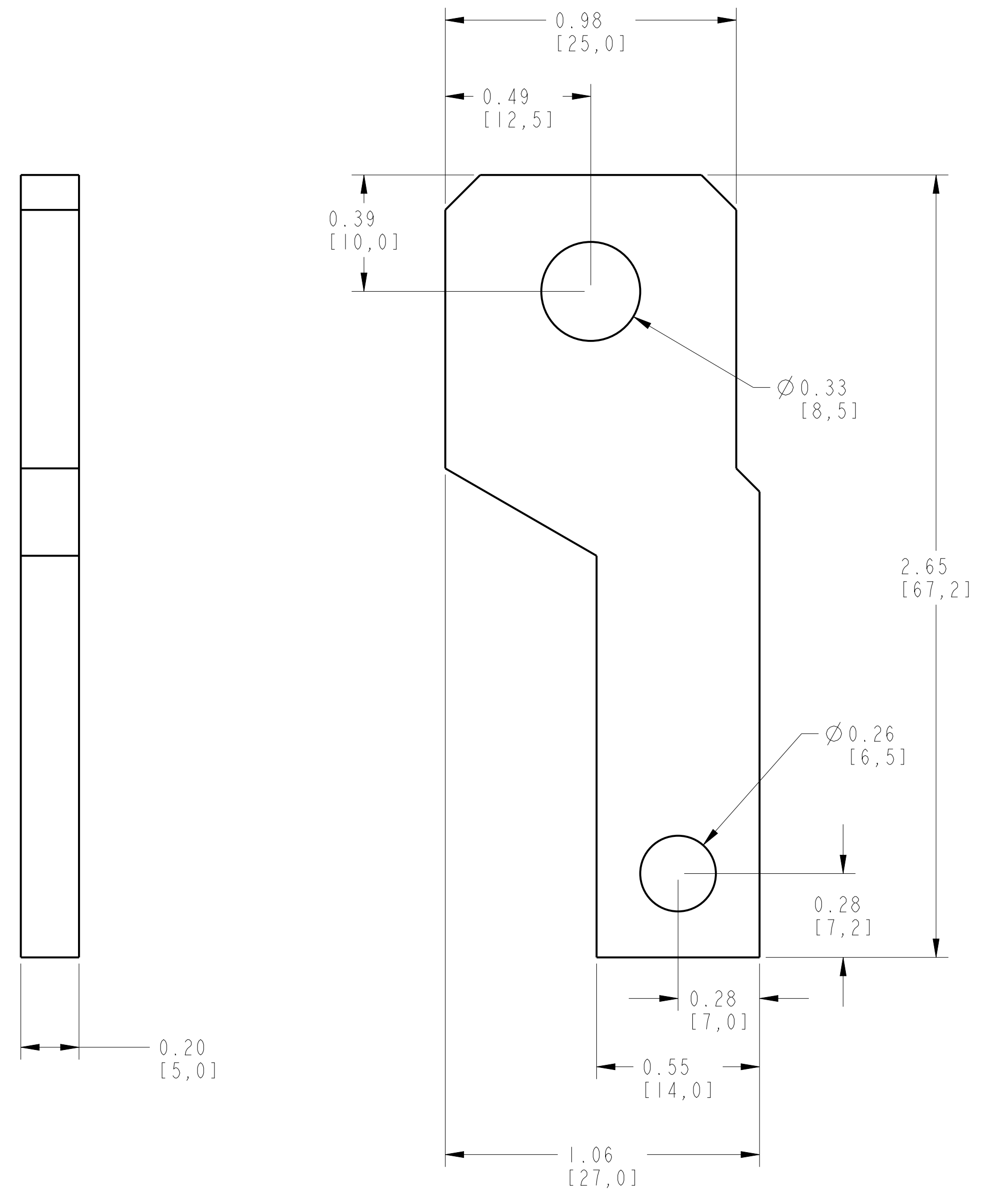


FRONT SPREADER TERMINAL ASSEMBLED TO 140G-G-4-POLE  
SCALE 9.5:1



ITEM 2 : FRONT SPREADER TERMINAL LH/RH END

SCALE 3:1



ITEM 2 : FRONT SPREADER TERMINAL MIDDLE

SCALE 3:1

<b>Rockwell Automation</b>		CONFIDENTIAL AND PROPRIETARY INFORMATION. THIS DOCUMENT CONTAINS CONFIDENTIAL AND PROPRIETARY INFORMATION OF ROCKWELL AUTOMATION, INC. AND MAY NOT BE USED, COPIED OR DISCLOSED TO OTHERS, EXCEPT WITH THE AUTHORIZED WRITTEN PERMISSION OF ROCKWELL AUTOMATION, INC.	
FRT SPREADER TERMINAL ASSEMBLED TO 140G-G-4P CB		Sheet 2 Of 2	Ver
Drawn by: UMUNUSW	Date: 10-10-13	<b>D</b>	<b>10000841555</b>
			<b>00</b>