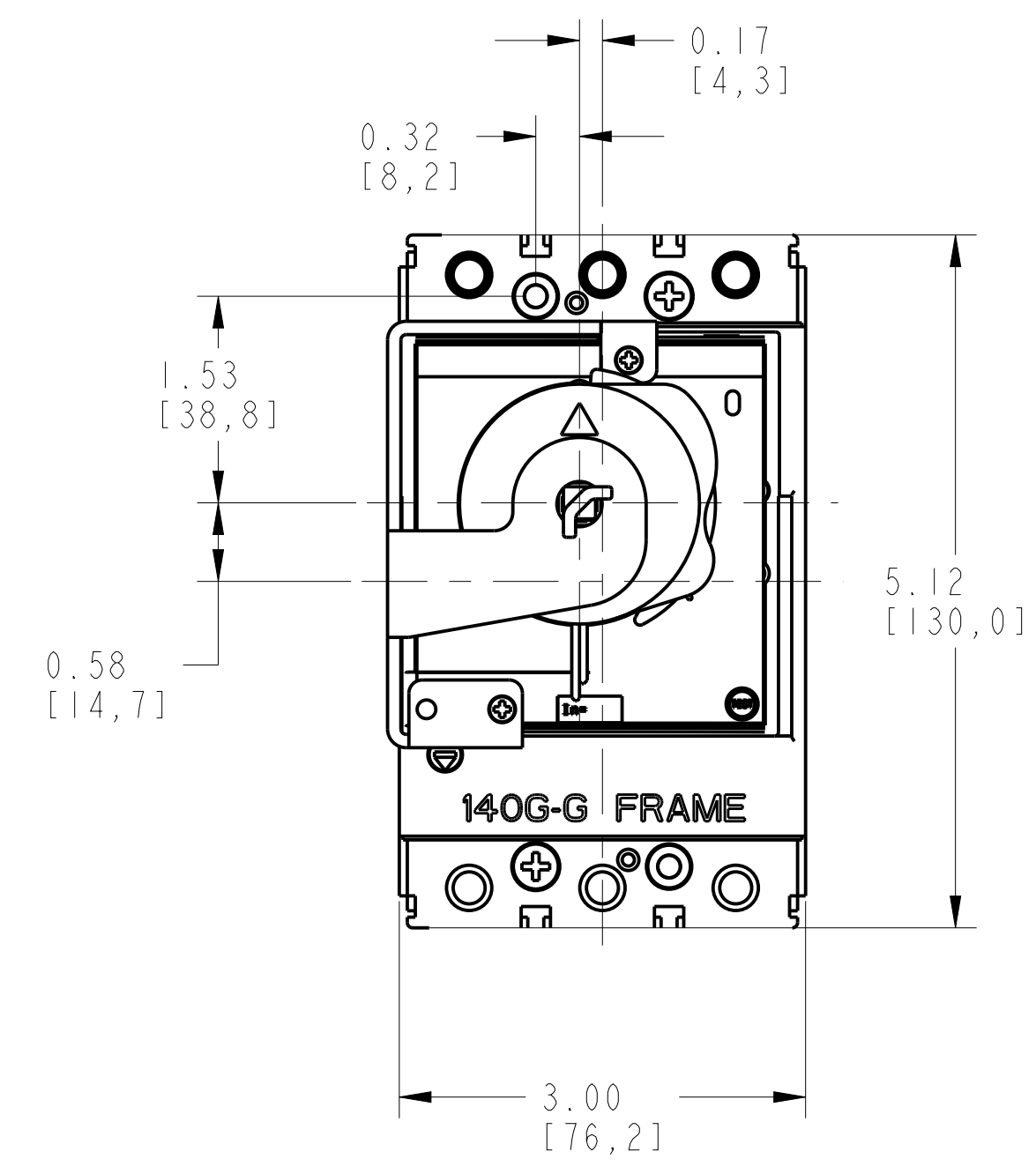
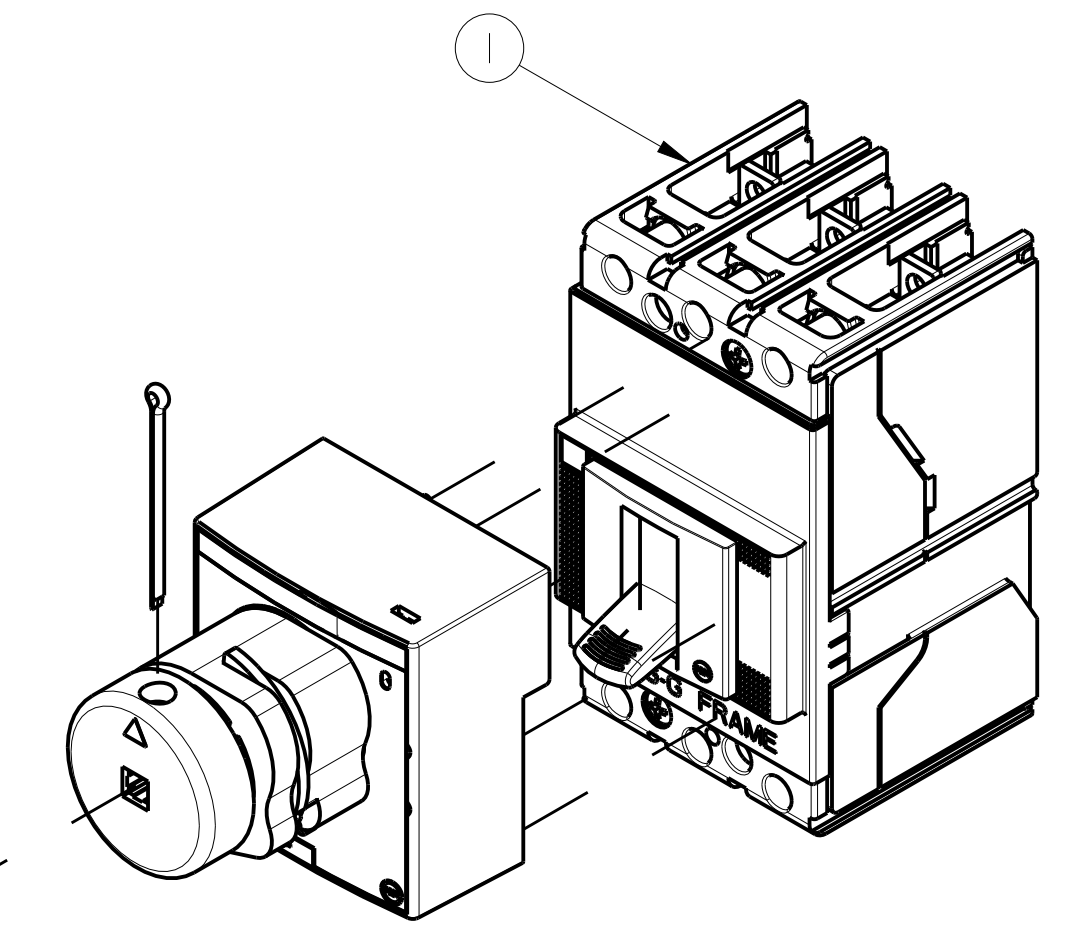
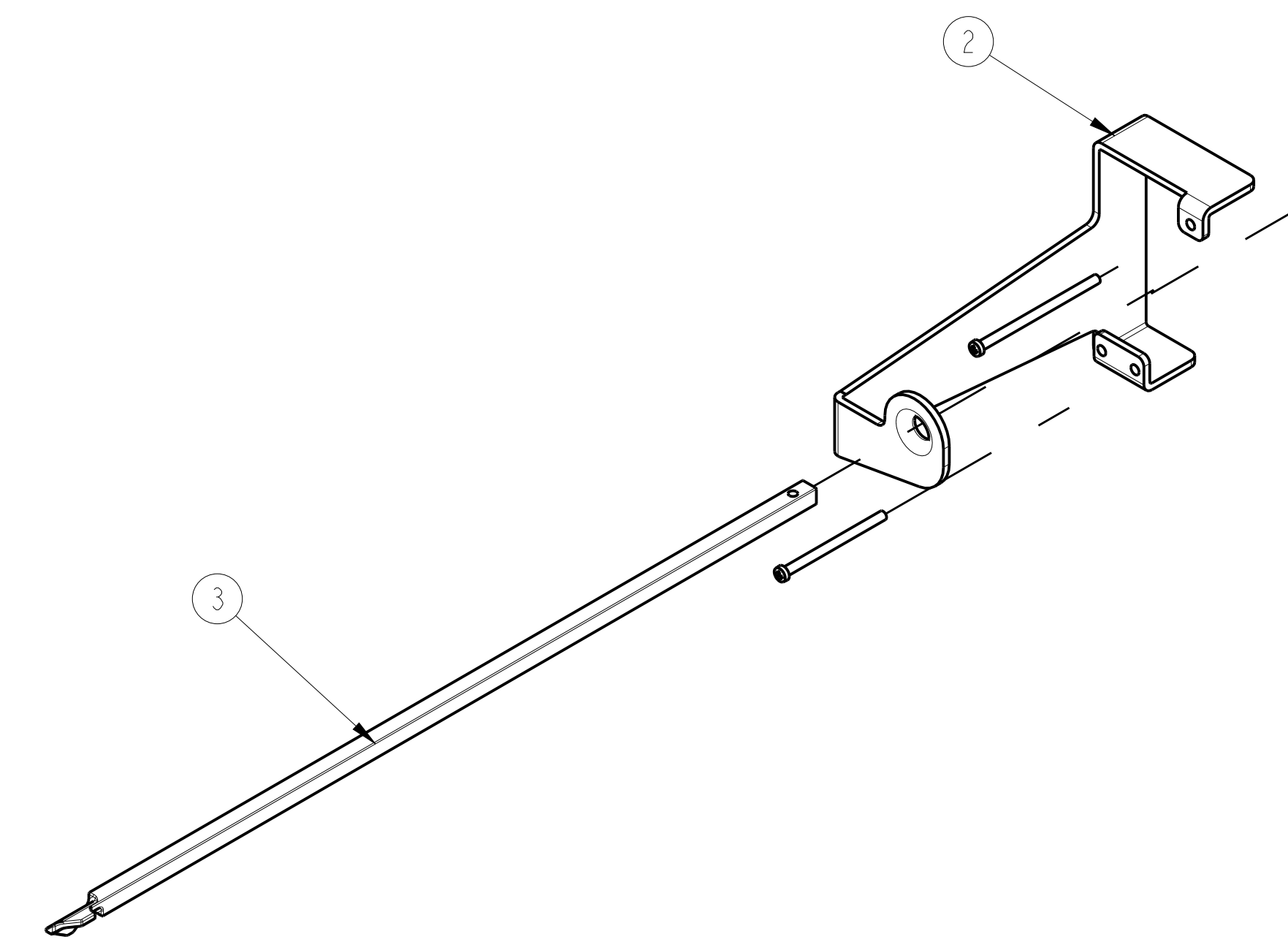
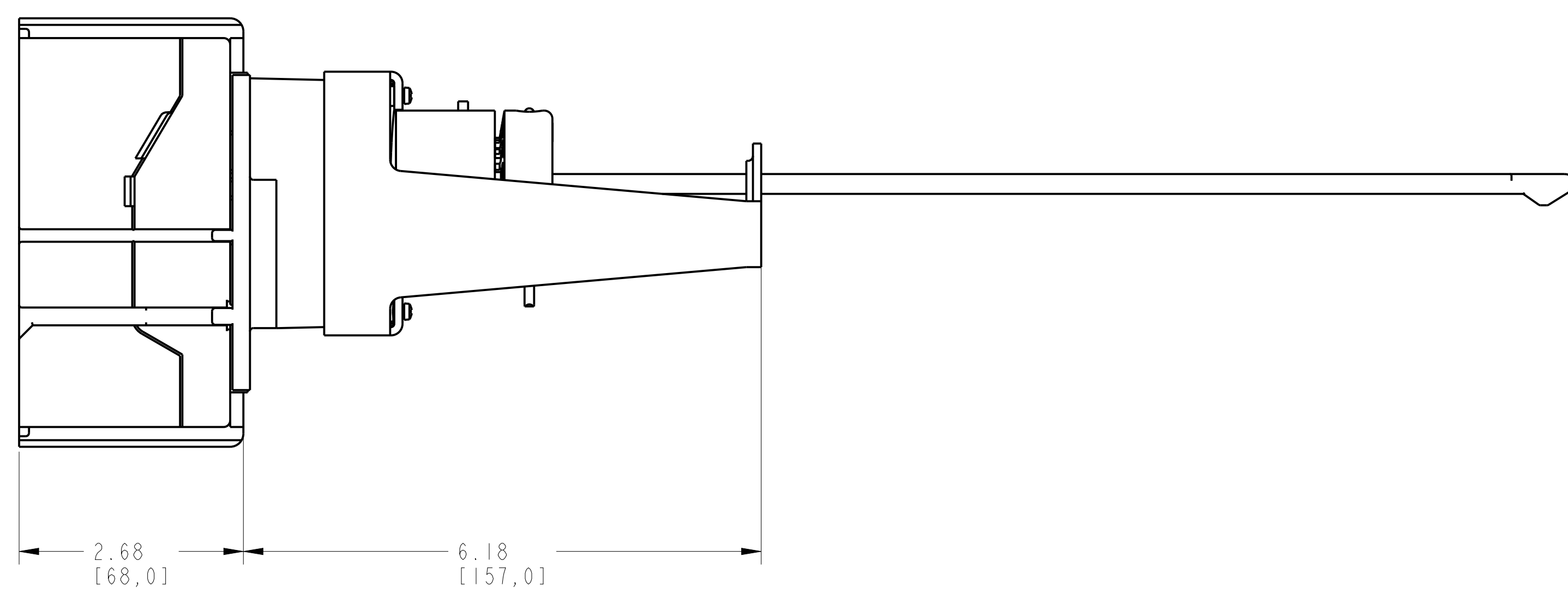
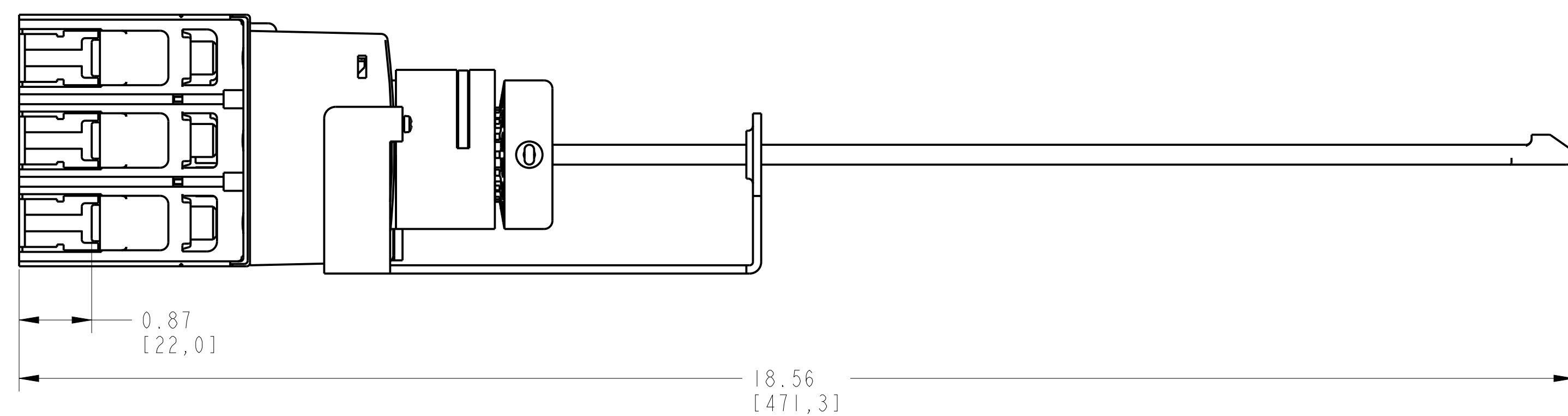


RHE SUPPORT ASSEMBLY			
ITEM	DESCRIPTION	QTY	AB CAT NUMBER
1	MOLDED CASE CIRCUIT BREAKER	1	140G-G-3P CB
2	RHE SUPPORT	1	140G-G-OSB
3	OPERATING SHAFT	1	-

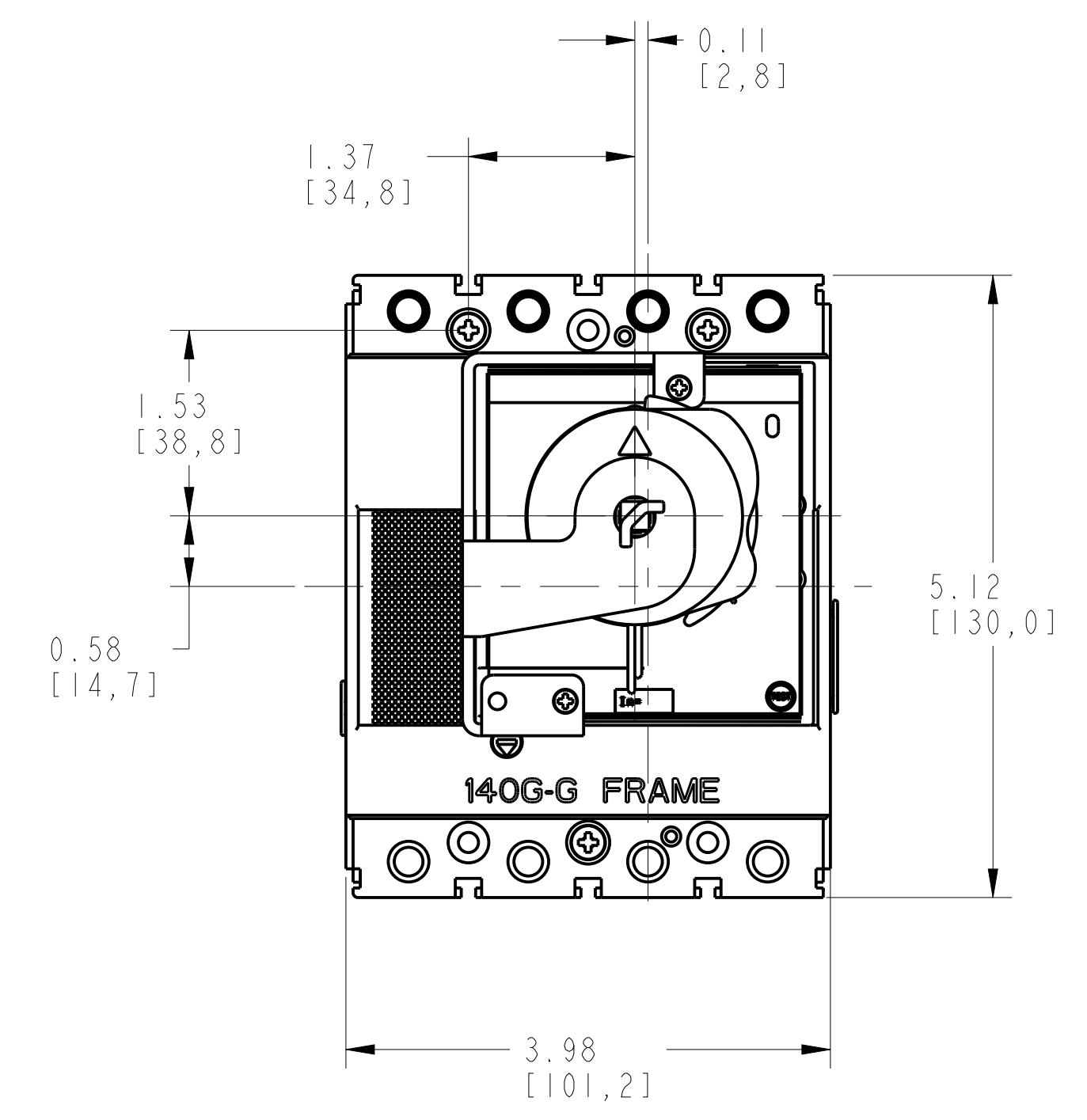
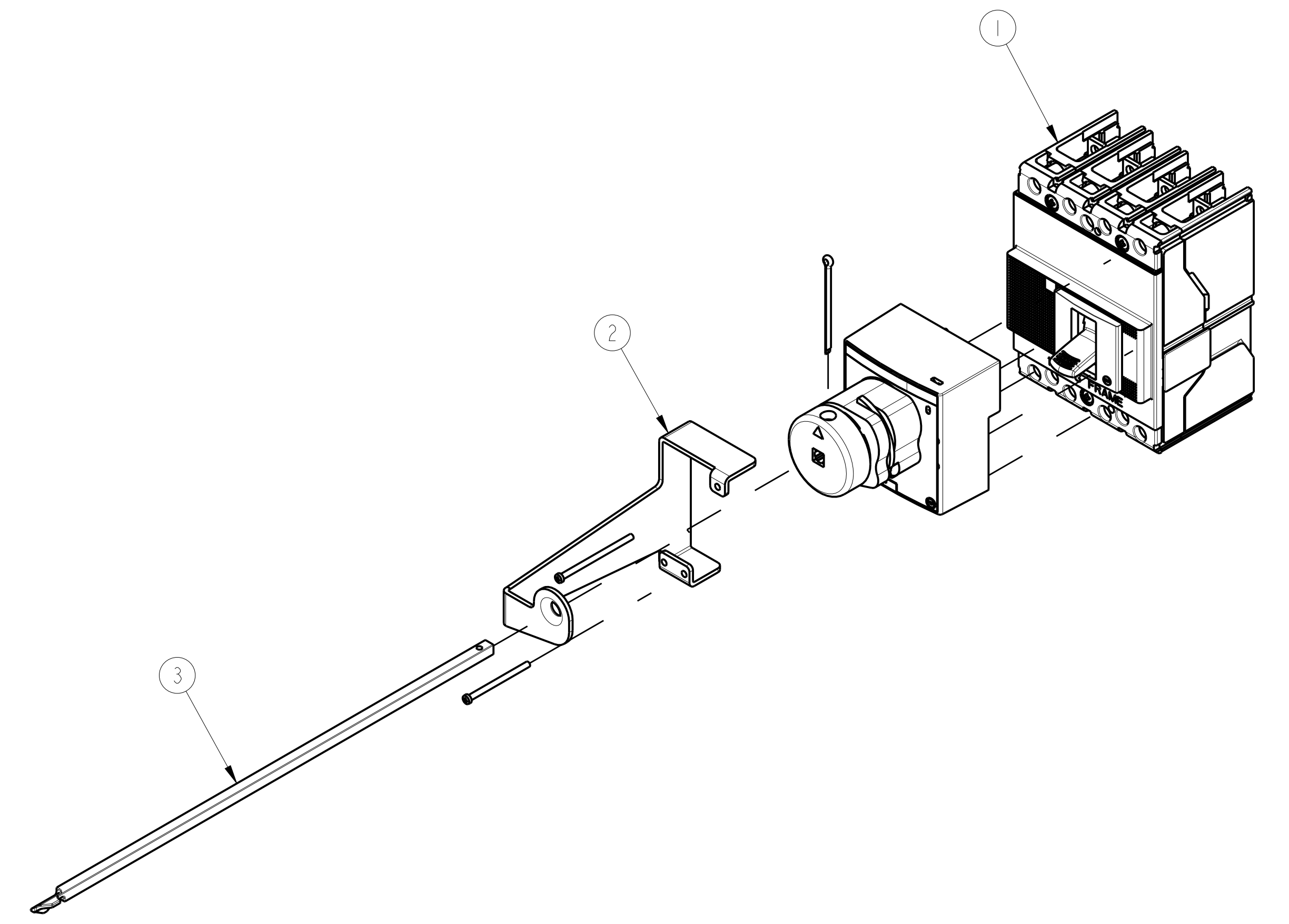
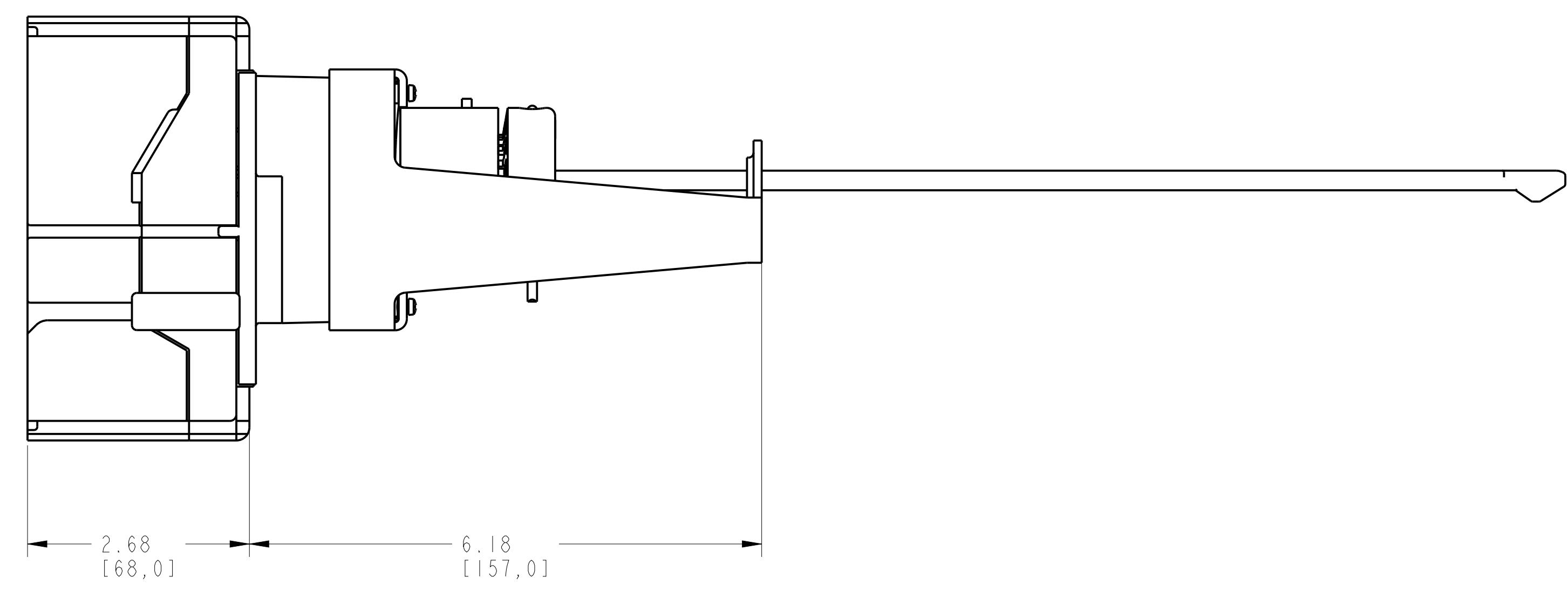
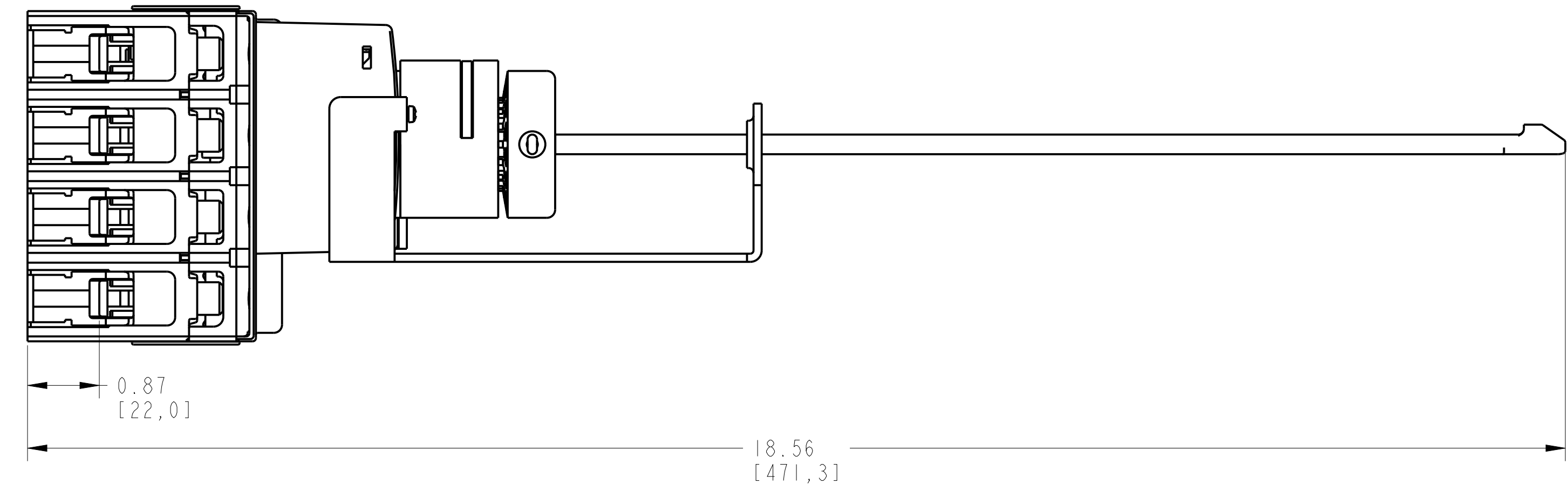


RHE SUPPORT ASSEMBLED TO 140G-G-3-POLE  
SCALE 0.8 : 1

		<small>CONFIDENTIAL AND PROPRIETARY INFORMATION. THIS DOCUMENT CONTAINS CONFIDENTIAL AND PROPRIETARY INFORMATION OF ROCKWELL AUTOMATION, INC. AND MAY NOT BE USED, COPIED OR DISCLOSED TO OTHERS, EXCEPT WITH THE AUTHORIZED WRITTEN PERMISSION OF ROCKWELL AUTOMATION, INC.</small>	
		Sheet 1 Of 3	
RHE SPRT ASSEMBLED TO 140G-G-3P & 140G-G-4P CB		Size <b>D</b>	Ver <b>00</b>
Drawn by: UMUNUSW	Date: 11-05-13	<b>10000871697</b>	

RHE SUPPORT ASSEMBLY			
ITEM	DESCRIPTION	QTY	AB CAT NUMBER
1	MOLDED CASE CIRCUIT BREAKER	1	140G-G-4P CB
2	RHE SUPPORT	1	140G-G-OSB
3	OPERATING SHAFT	1	-

A  
B  
C  
D  
E  
F  
G  
H

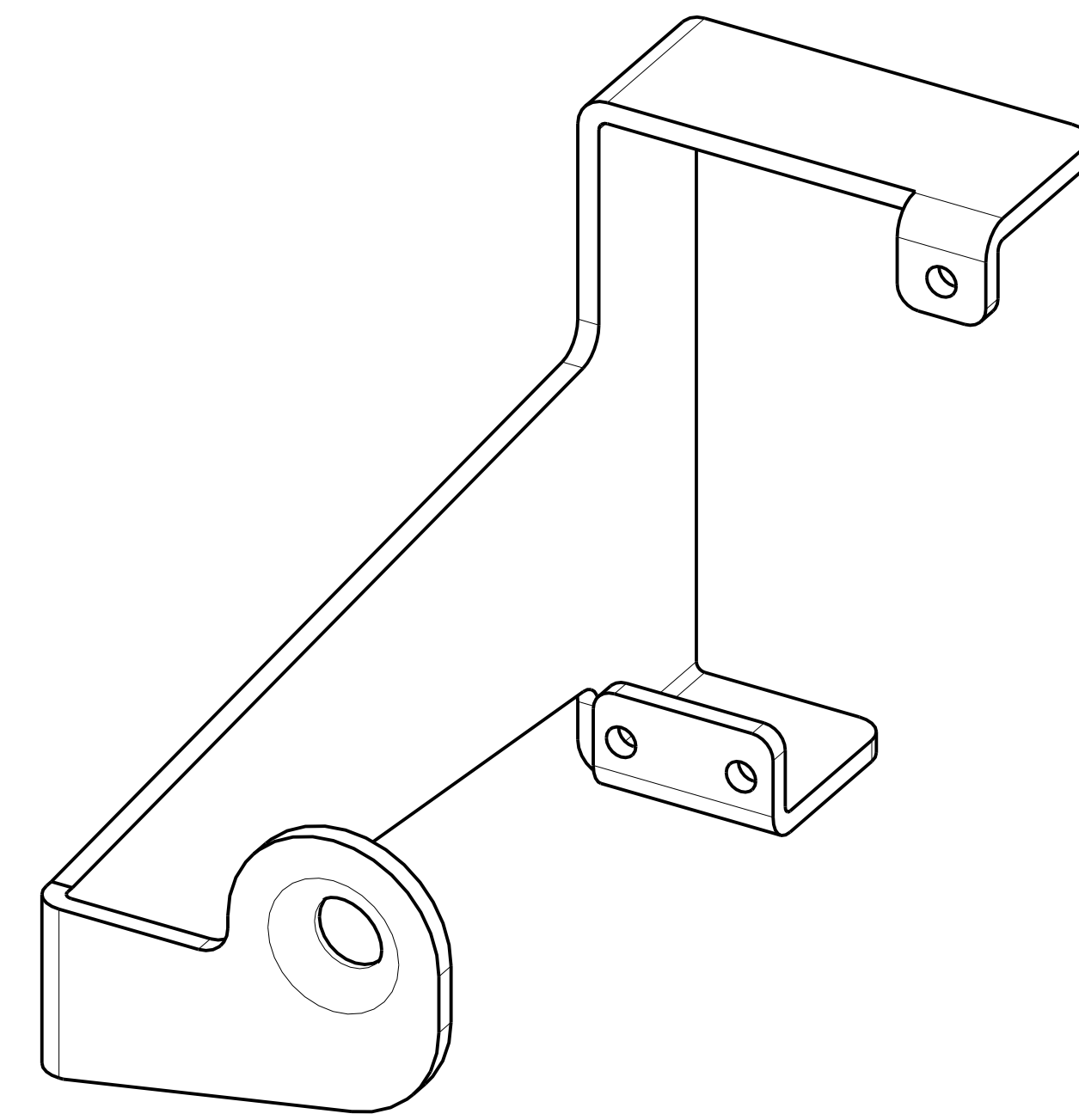
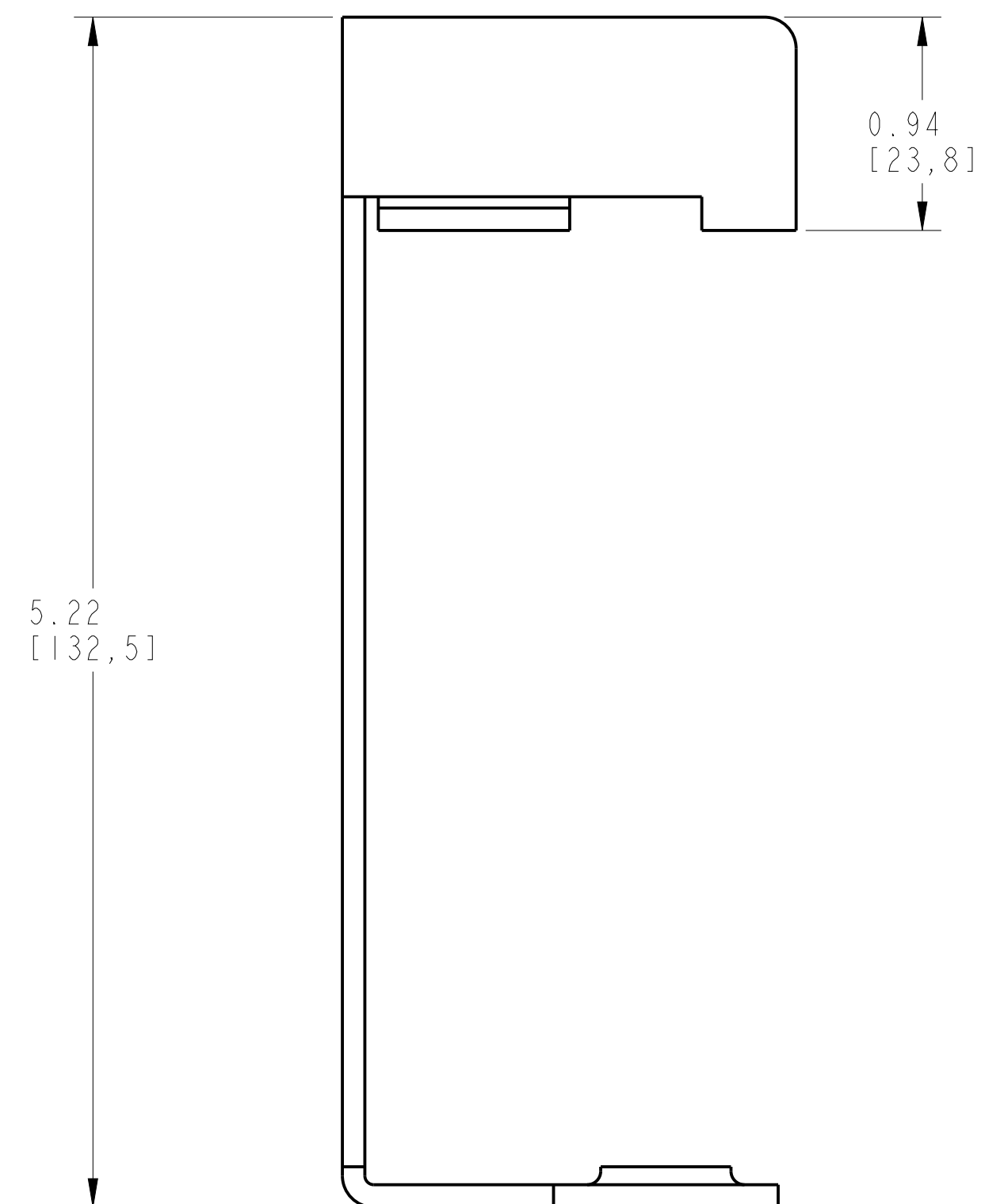


RHE SUPPORT ASSEMBLED TO 140G-G-4-POLE  
SCALE 0.8 : 1

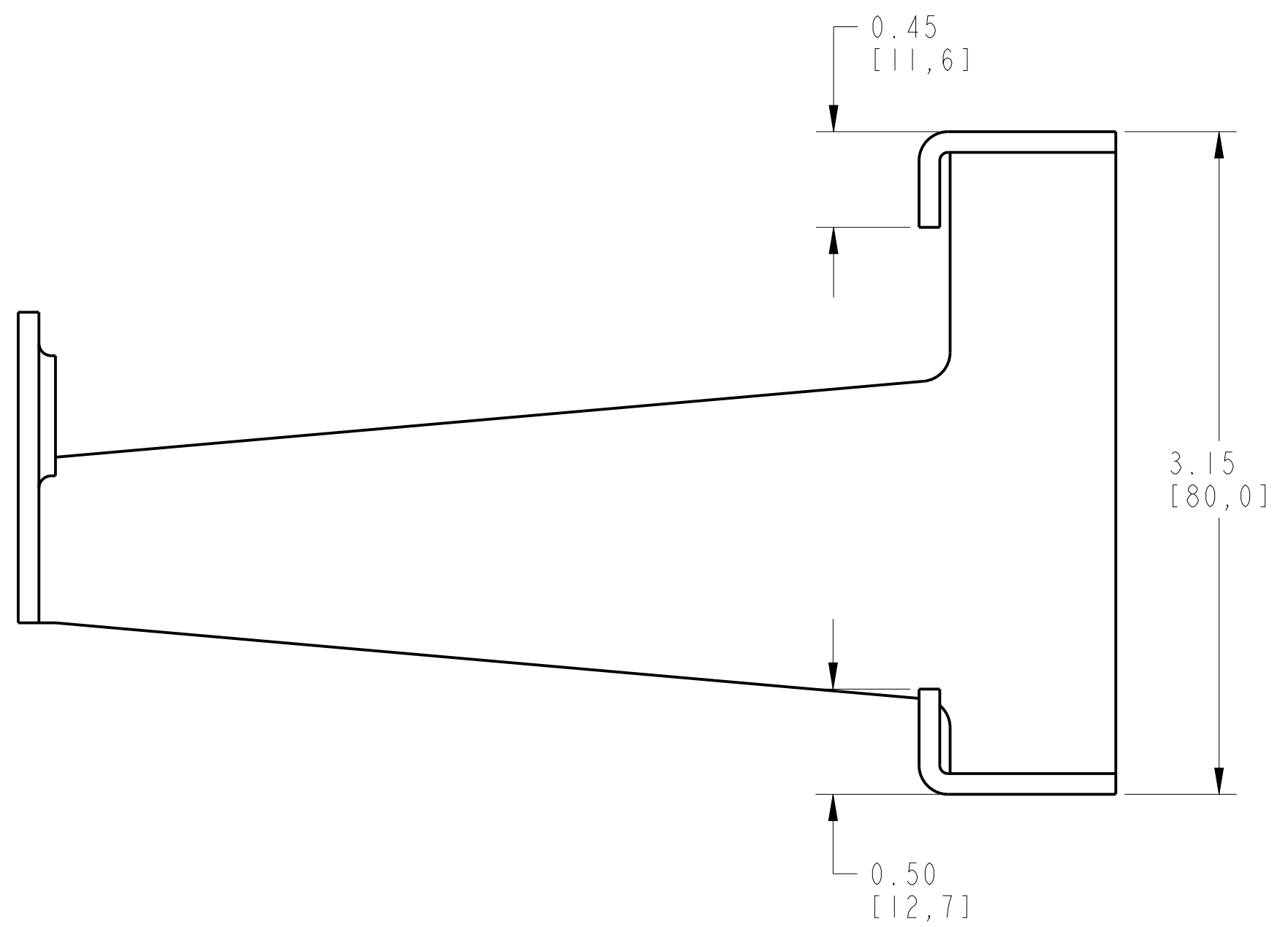
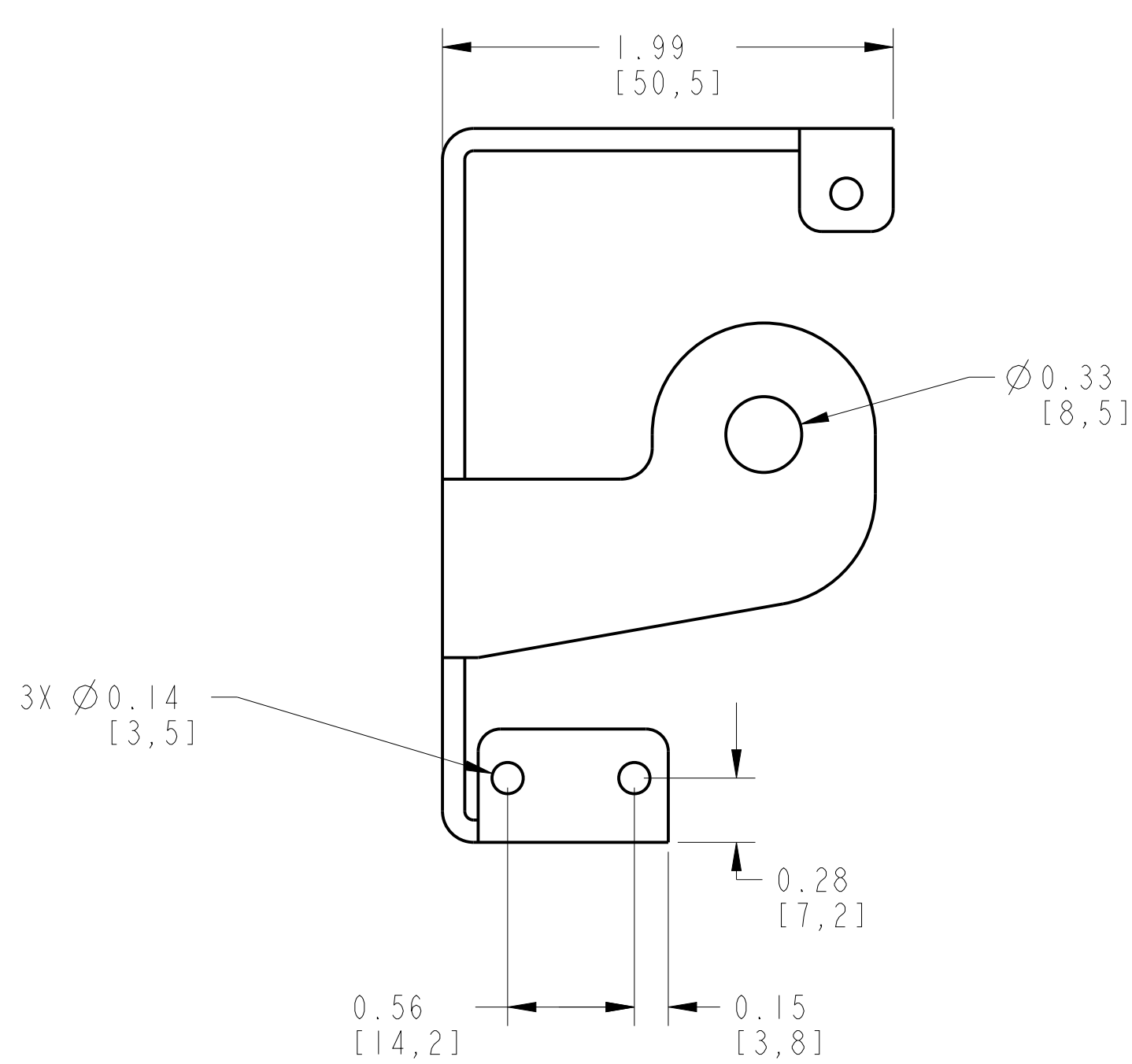
		<small>CONFIDENTIAL AND PROPRIETARY INFORMATION. THIS DOCUMENT CONTAINS CONFIDENTIAL AND PROPRIETARY INFORMATION OF ROCKWELL AUTOMATION, INC. AND MAY NOT BE USED, COPIED OR DISCLOSED TO OTHERS, EXCEPT WITH THE AUTHORIZED WRITTEN PERMISSION OF ROCKWELL AUTOMATION, INC.</small>	
		Sheet 2 Of 3	
RHE SPRT ASSEMBLED TO 140G-G-3P & 140G-G-4P CB		Size <b>D</b>	Ver <b>00</b>
Drawn by: UMUNUSW	Date: 11-05-13	10000871697	

1 2 3 4 5 6 7 8

A  
B  
C  
D  
E  
F  
G  
H



ISOMETRIC VIEW



ITEM 2 : RHE SUPPORT  
SCALE 1.5 : 1

		<small>CONFIDENTIAL AND PROPRIETARY INFORMATION. THIS DOCUMENT CONTAINS CONFIDENTIAL AND PROPRIETARY INFORMATION OF ROCKWELL AUTOMATION, INC. AND MAY NOT BE USED, COPIED OR DISCLOSED TO OTHERS, EXCEPT WITH THE AUTHORIZED WRITTEN PERMISSION OF ROCKWELL AUTOMATION, INC.</small>	
		Sheet 3 Of 3	
RHE SPRT ASSEMBLED TO 140G-G-3P & 140G-G-4P CB		Size <b>D</b>	Ver <b>00</b>
Drawn by: UMUNUSW	Date: 11-05-13	<b>10000871697</b>	