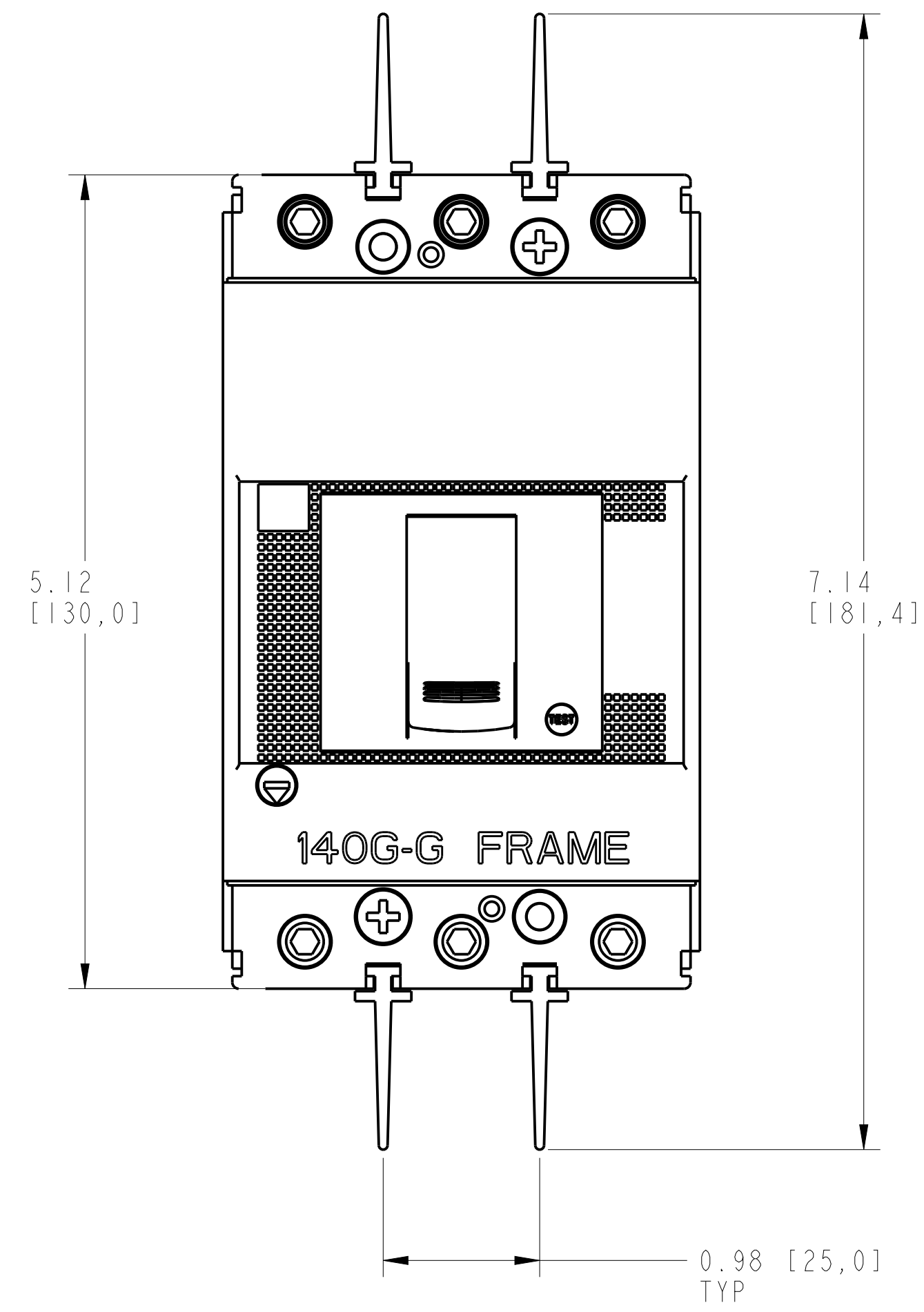
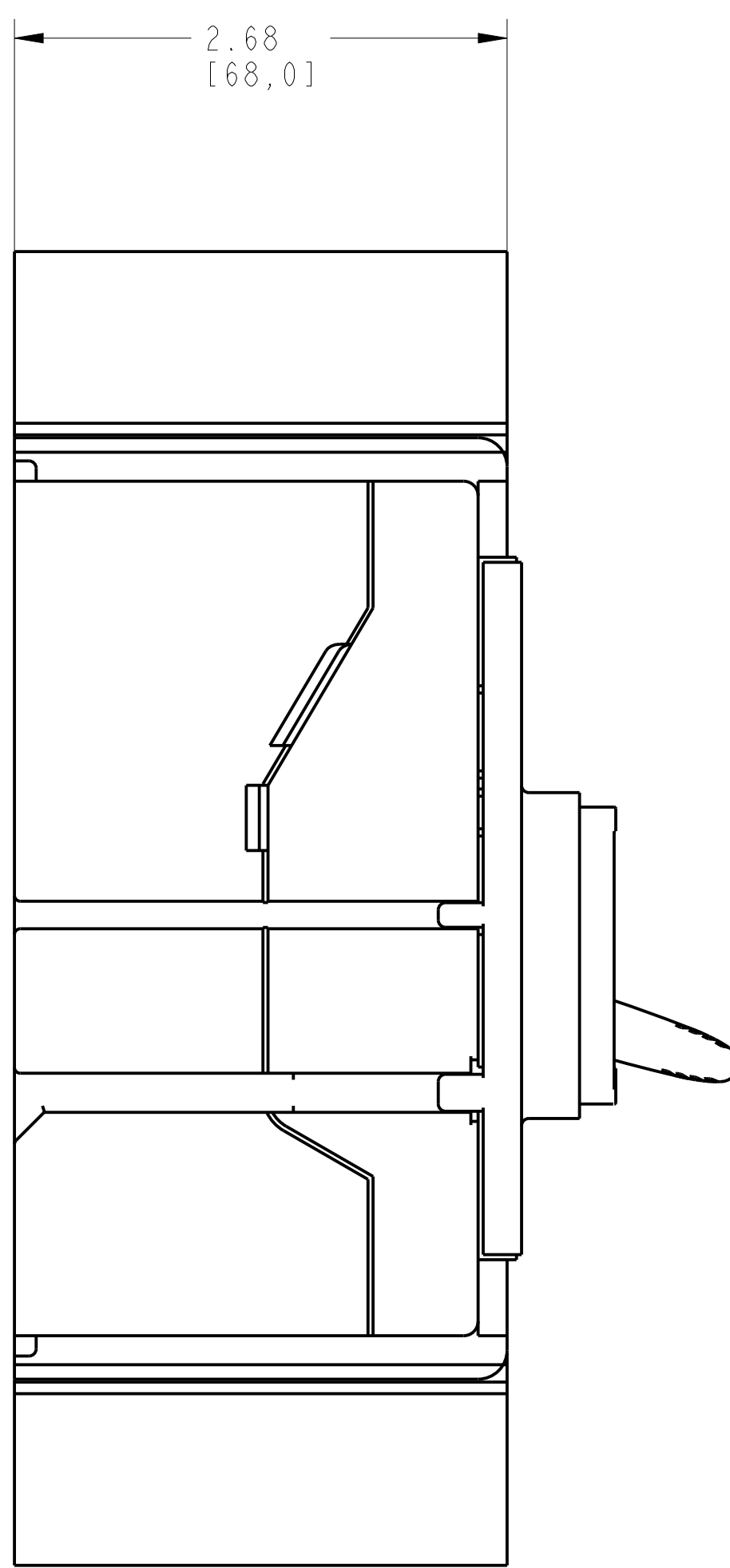
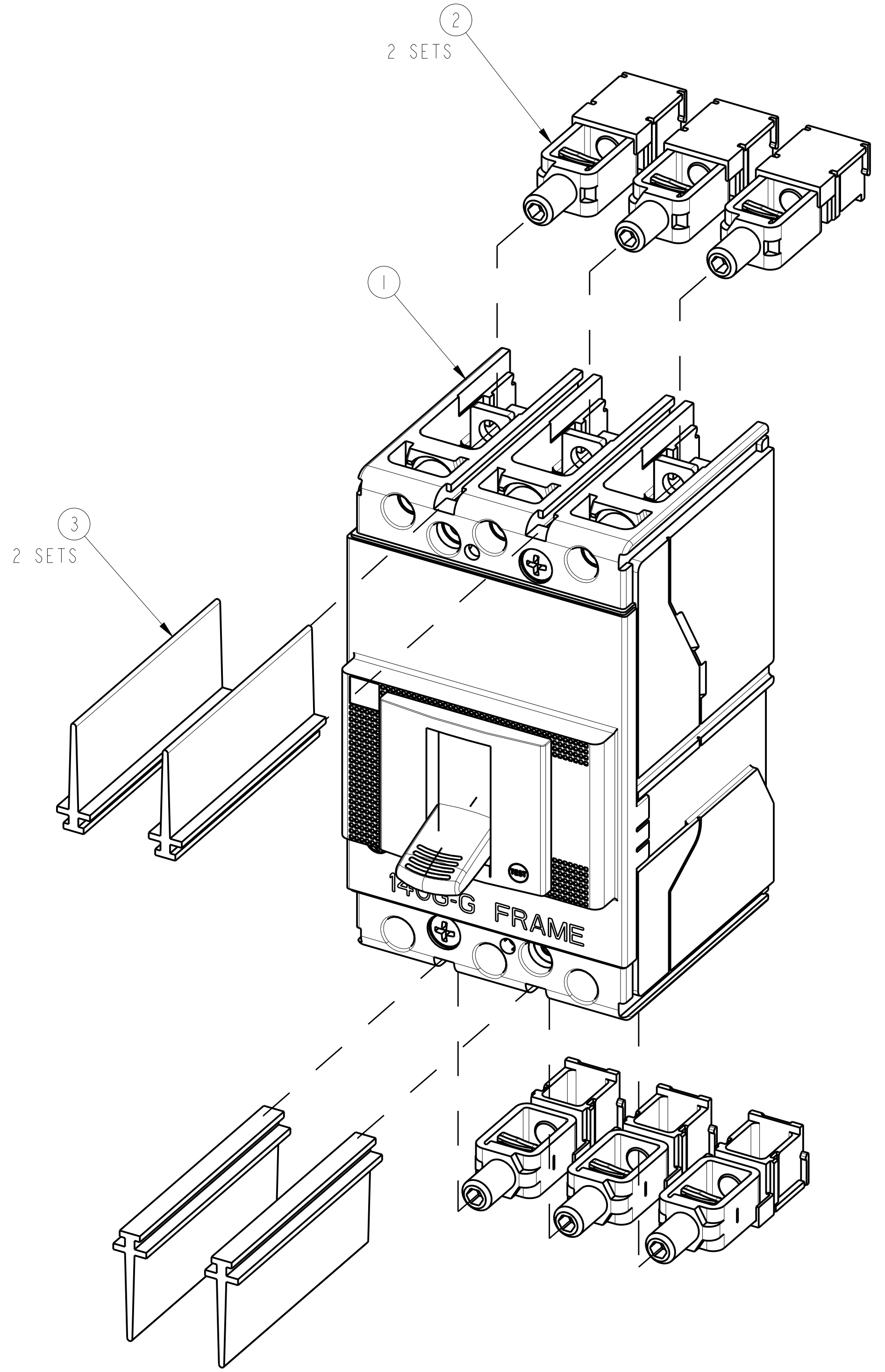
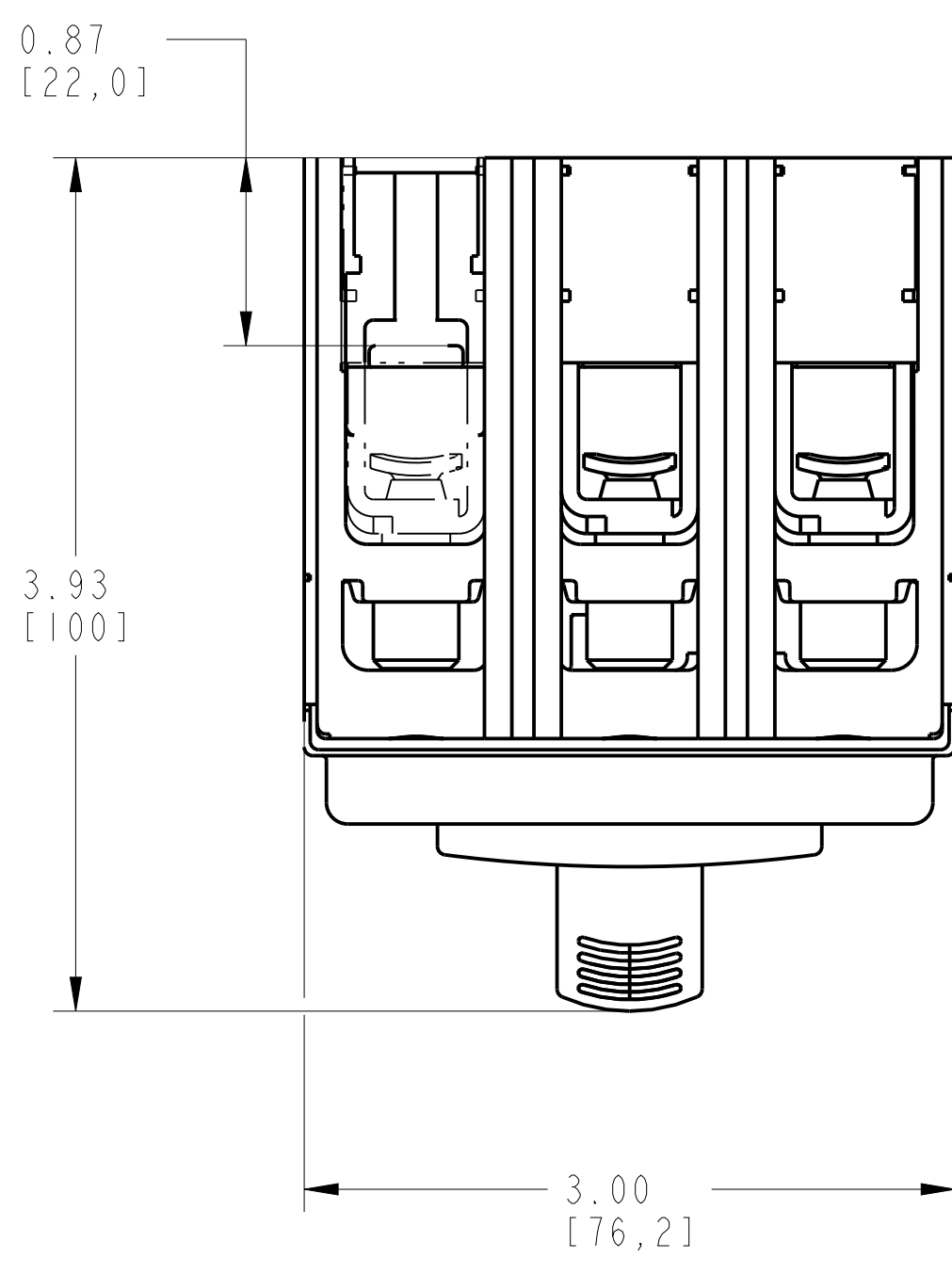


1 2 3 4 5 6 7 8

TERMINAL FOR COPPER CABLES FCCU ASSEMBLY

ITEM	DESCRIPTION	QTY	AB CAT NUMBER
1	MOLDED CASE CIRCUIT BREAKER	1	140G-G-3P CB
2	FCCU TERMINAL (3 PCS)	2 SETS	140G-G-TLC13
3	PHASE BARRIERS 25MM (2 PCS)	2 SETS	140G-G-PB3M



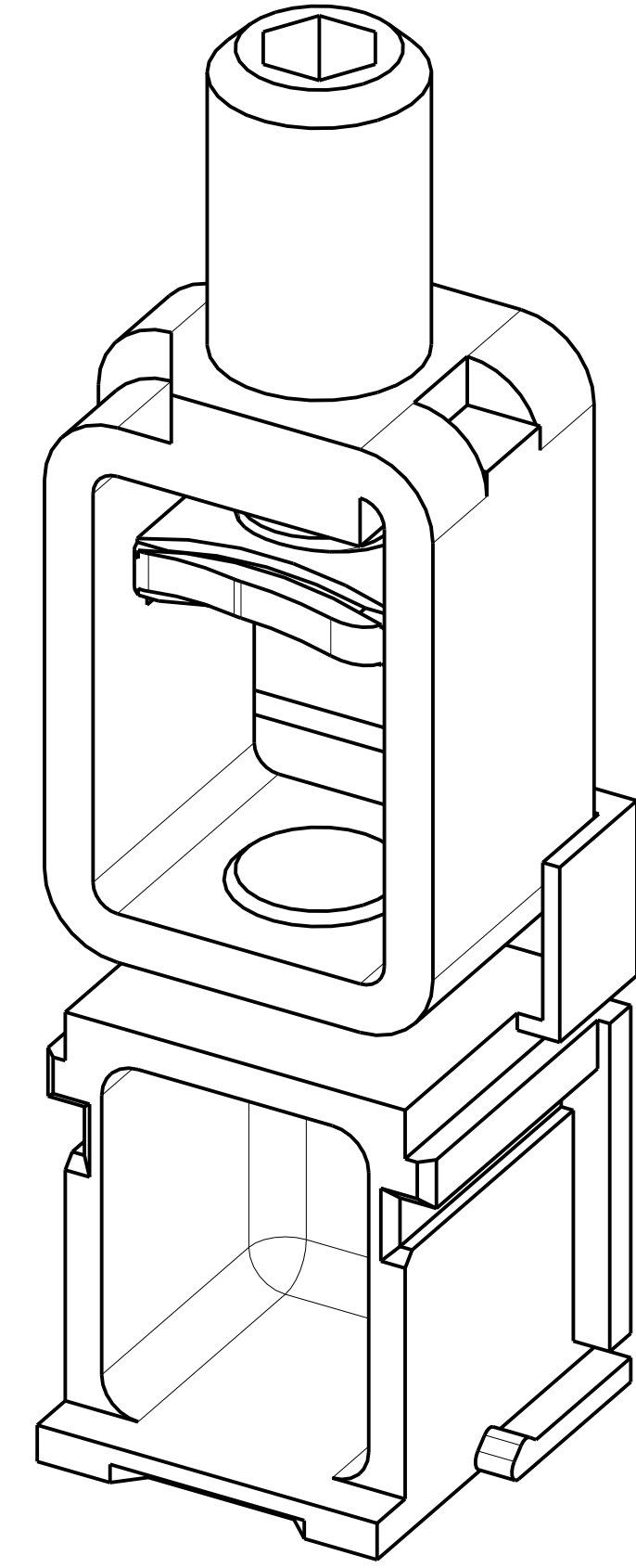
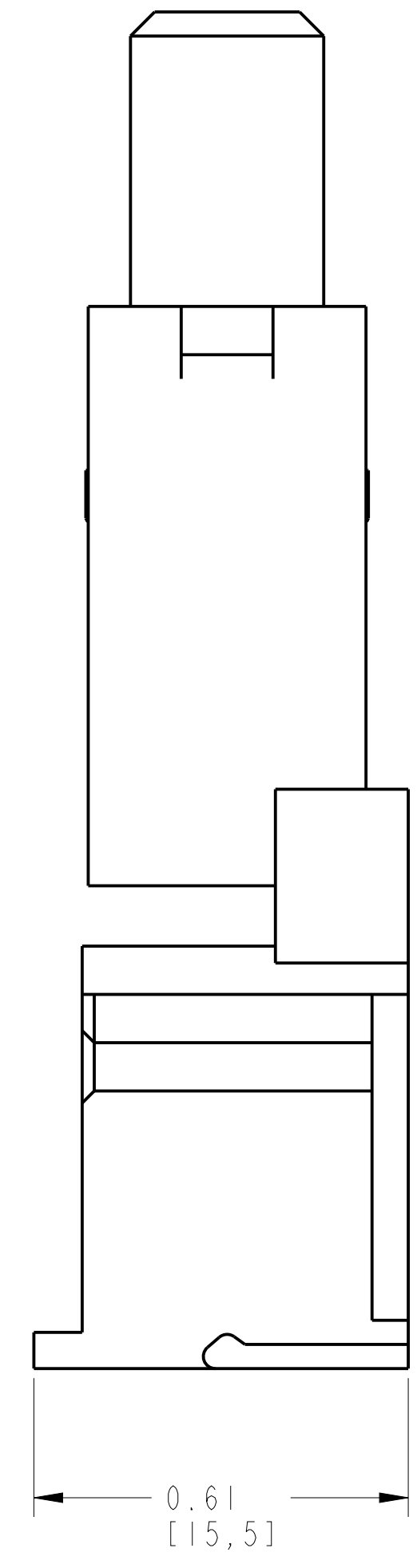
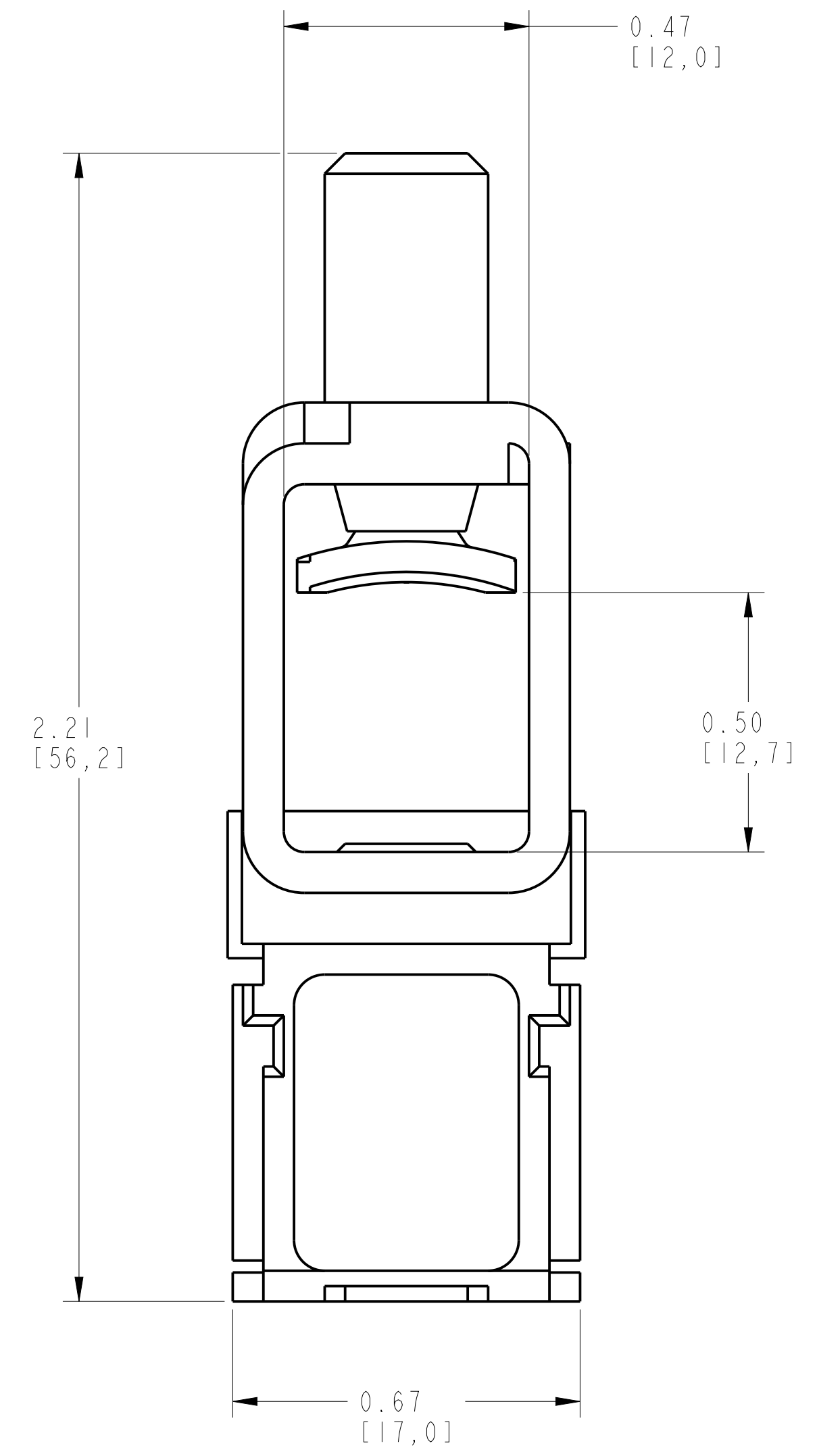
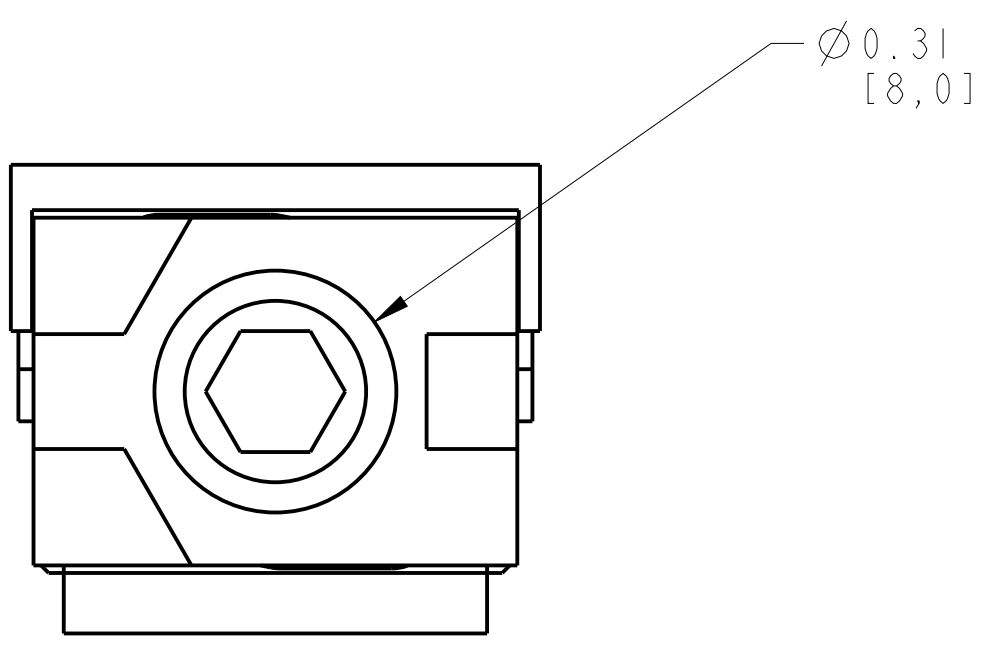
TERMINAL FOR COPPER CABLES FCCU ASSEMBLED TO 140G-G-3-POLE

SCALE 1.2:1

		<small>CONFIDENTIAL AND PROPRIETARY INFORMATION. THIS DOCUMENT CONTAINS CONFIDENTIAL AND PROPRIETARY INFORMATION OF ROCKWELL AUTOMATION, INC. AND MAY NOT BE USED, COPIED OR DISCLOSED TO OTHERS, EXCEPT WITH THE AUTHORIZED WRITTEN PERMISSION OF ROCKWELL AUTOMATION, INC.</small>	
		Sheet 1 Of 2	
FCCU ASSEMBLED TO 140G-G-3P CB		Size D	Ver 00
Drawn by: UMUNUSW	Date: 12-09-13	10000839497	

1 2 3 4 5 6 7 8

A  
B  
C  
D  
E  
F  
G  
H



ISOMETRIC VIEW

ITEM 2 : TERMINAL FOR FCCU  
SCALE 4:1

		<small>CONFIDENTIAL AND PROPRIETARY INFORMATION. THIS DOCUMENT CONTAINS CONFIDENTIAL AND PROPRIETARY INFORMATION OF ROCKWELL AUTOMATION, INC. AND MAY NOT BE USED, COPIED OR DISCLOSED TO OTHERS, EXCEPT WITH THE AUTHORIZED WRITTEN PERMISSION OF ROCKWELL AUTOMATION, INC.</small>	
		Sheet 2 Of 2	
FCCU ASSEMBLED TO 140G-G-3P CB		Size	Ver
Drawn by: UMUNUSW Date: 12-09-13		D	10000839497 00