

1

2

3

4

5

6

7

8

RESIDUAL CURRENT, SEL 4 POLE ASSEMBLY

ITEM	DESCRIPTION	QTY	AB CAT NUMBER
1	MOLDED CASE CIRCUIT BREAKER	1	140G-H-4P CB
2	RESIDUAL CURRENT, SEL 4 POLE	2	140G-H-ELPI604

A

B

C

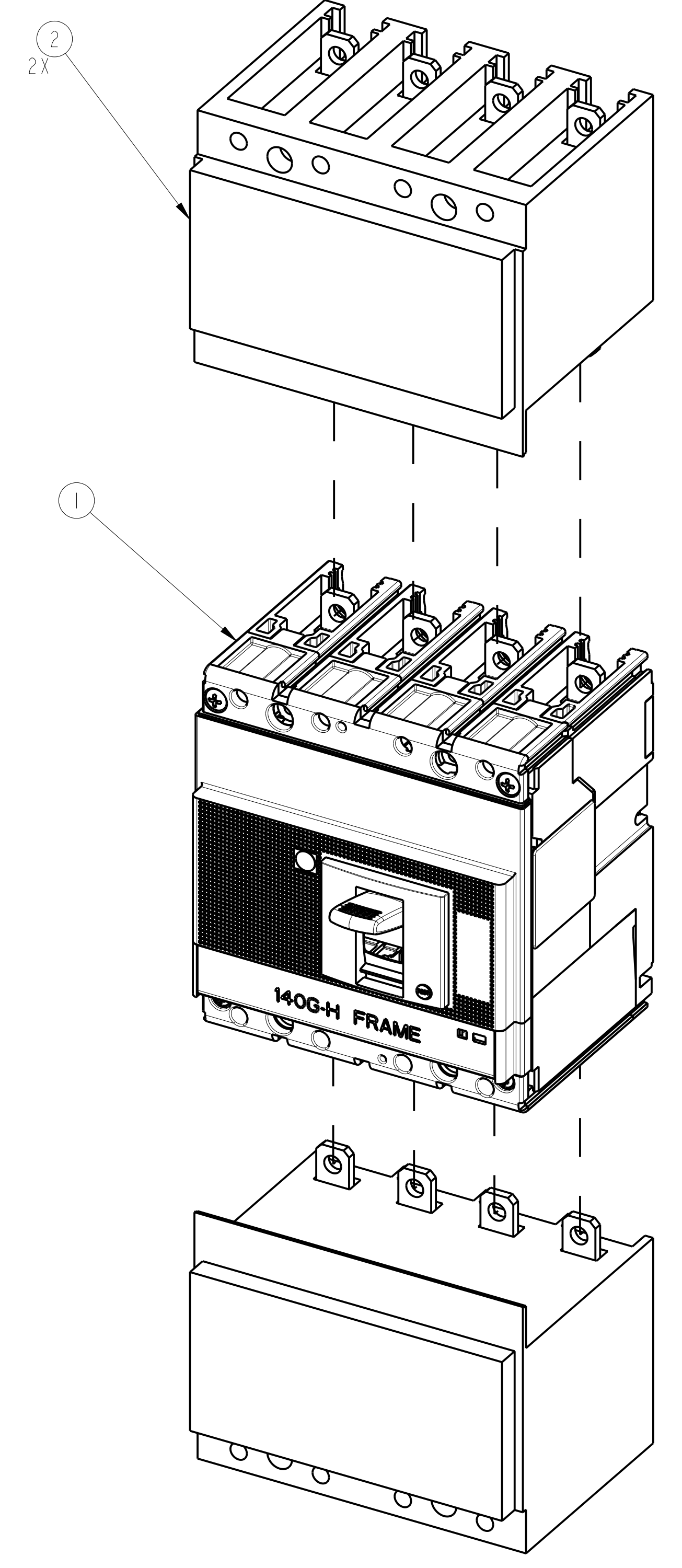
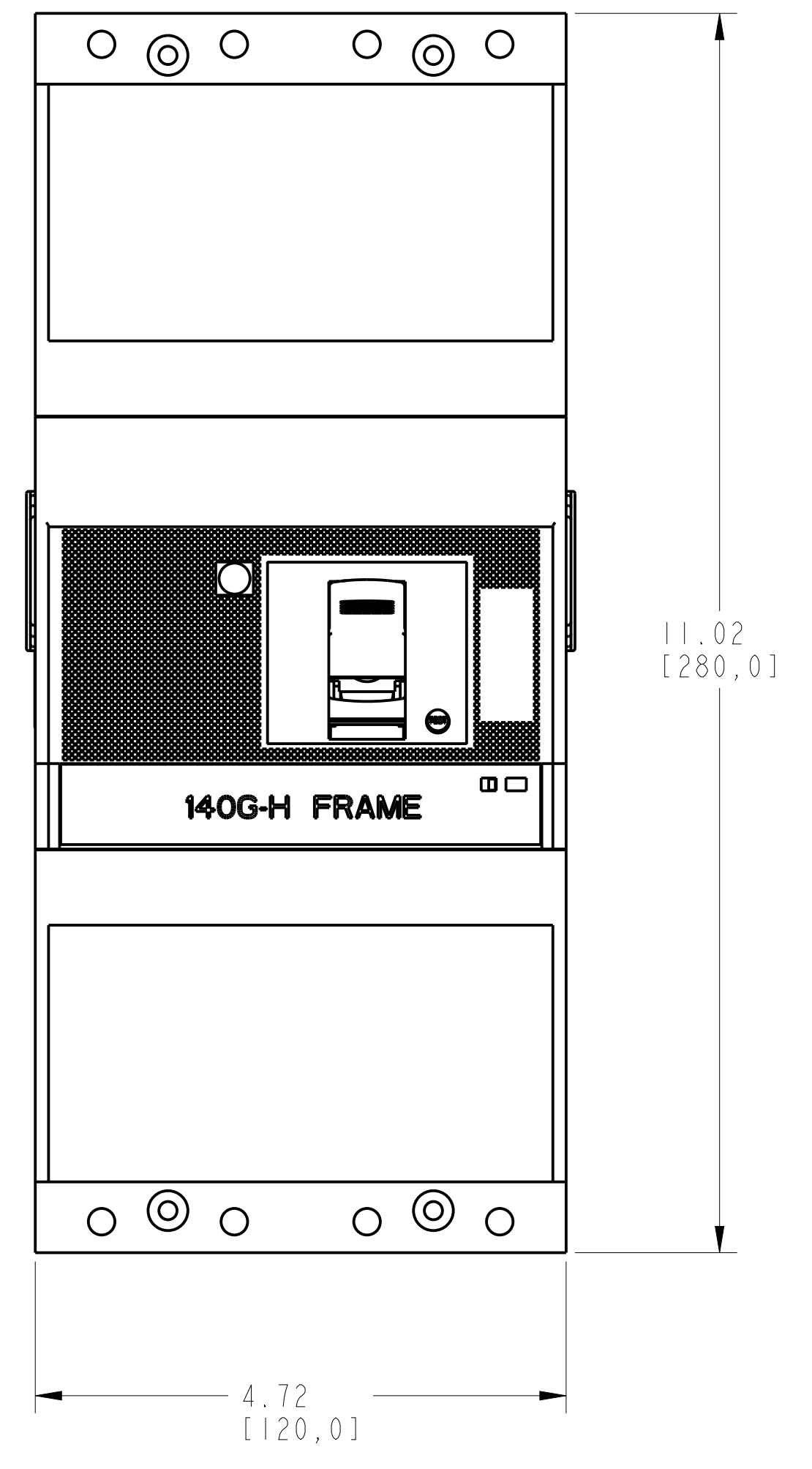
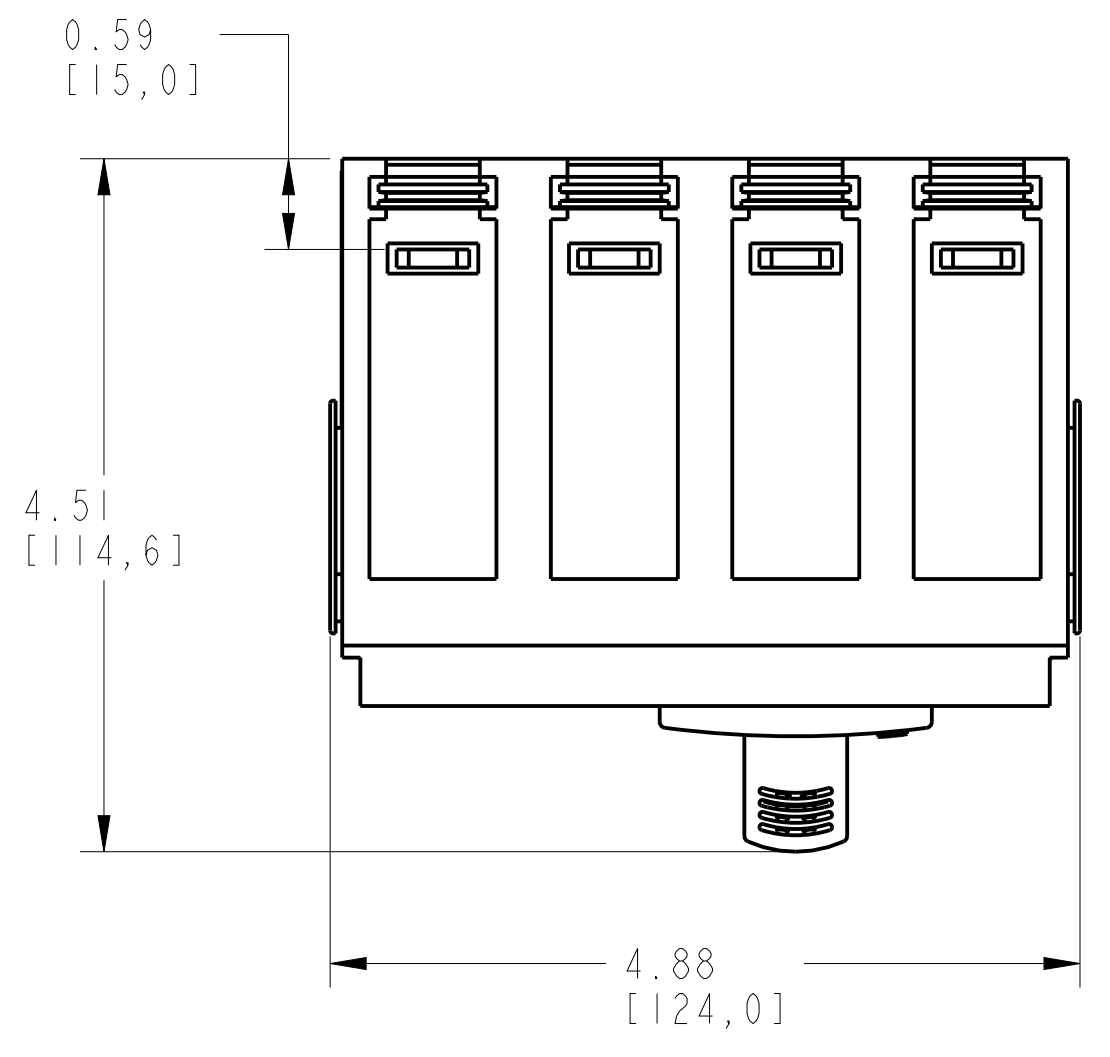
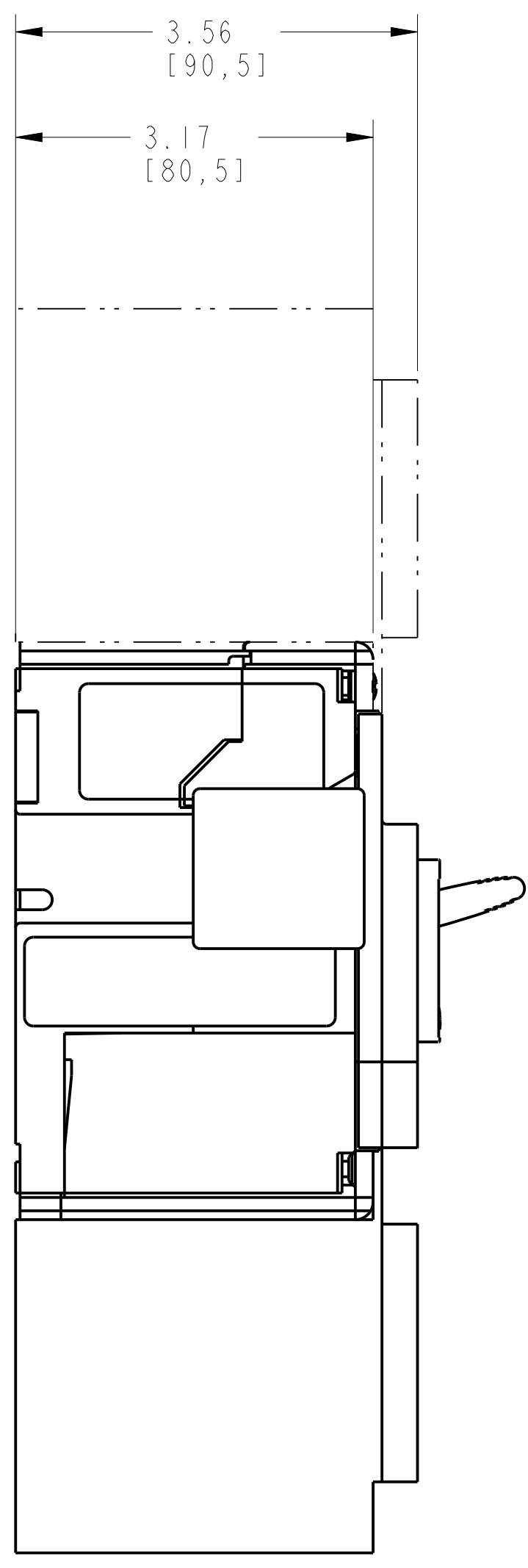
D

E

F

G

H

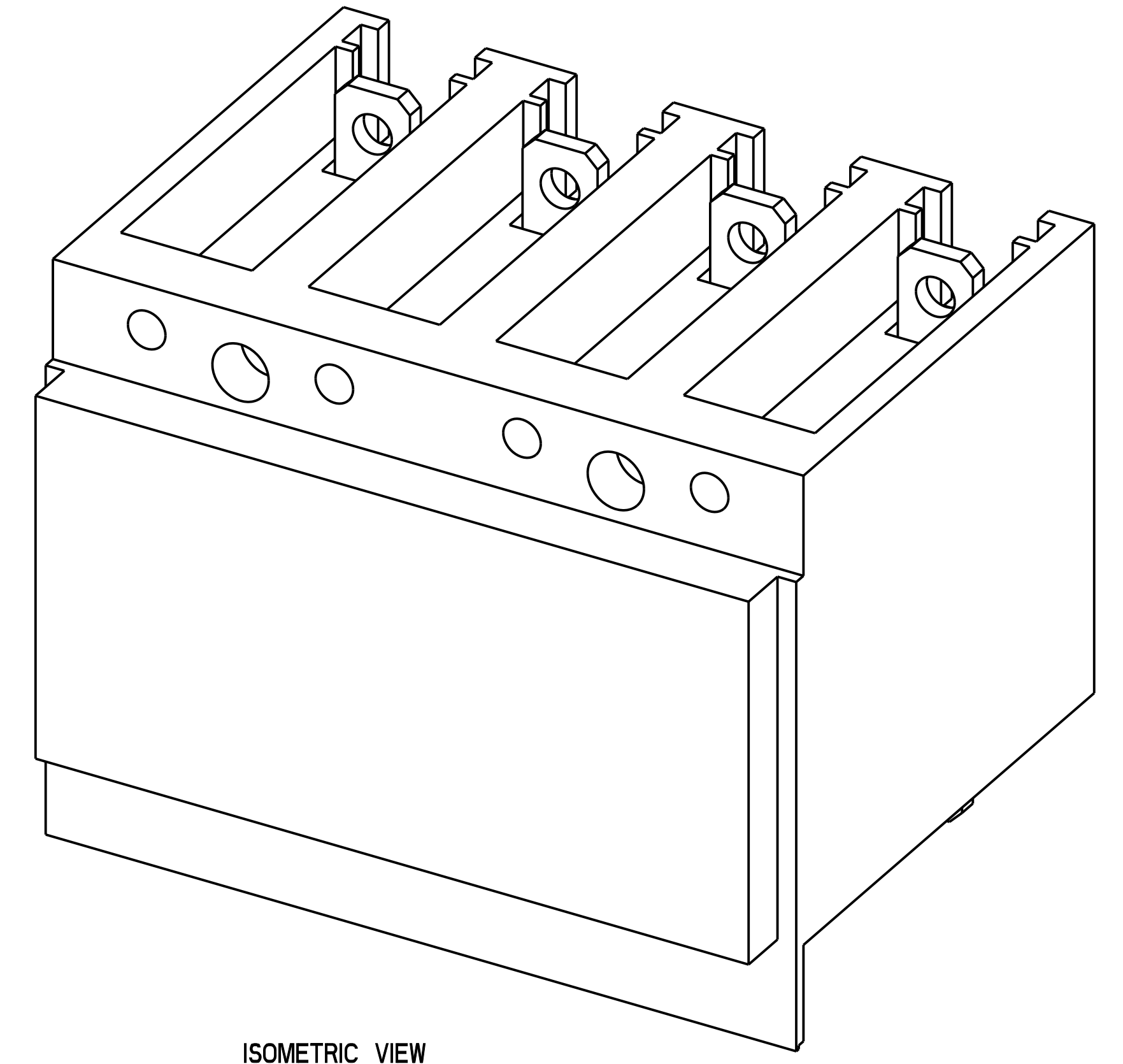
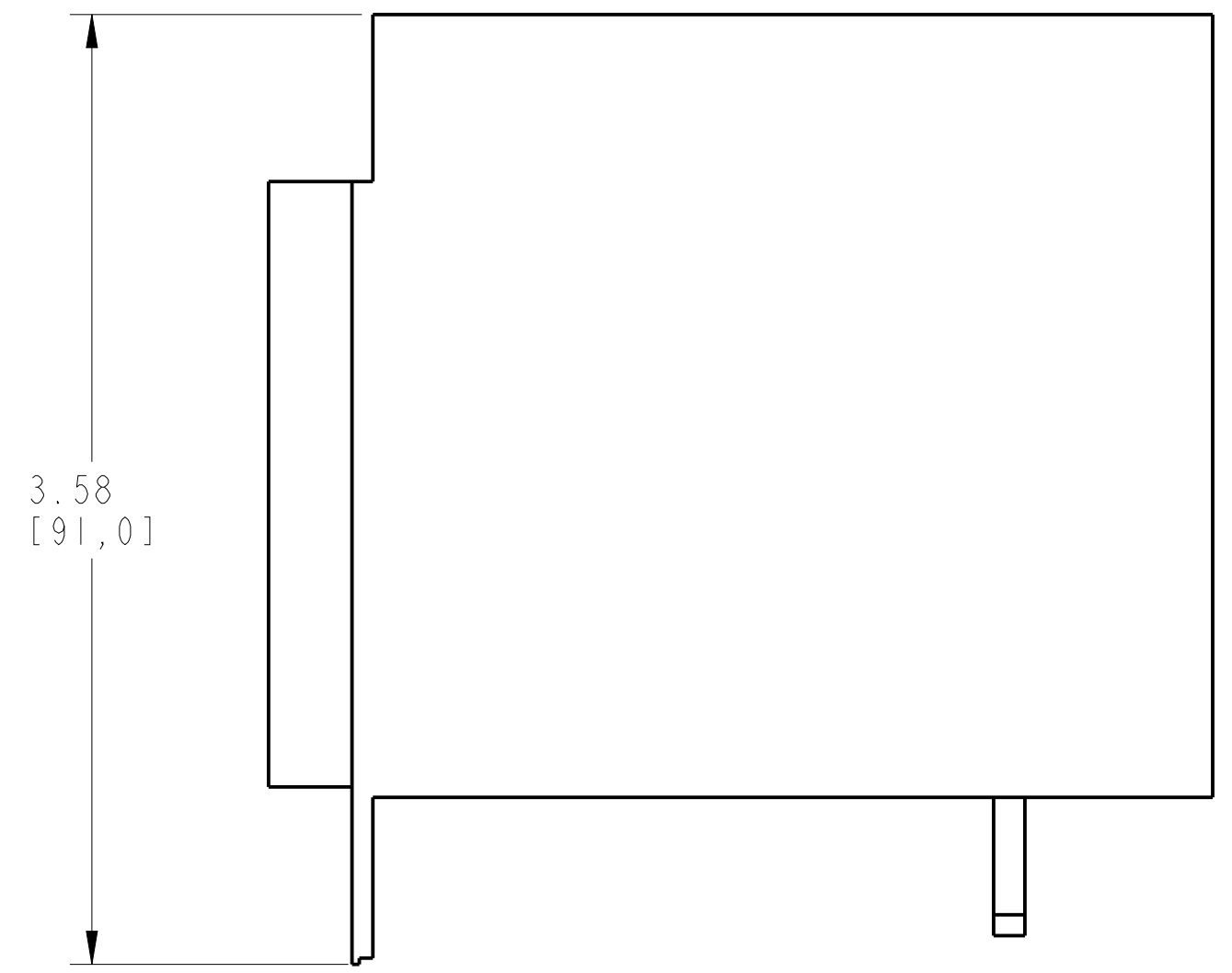
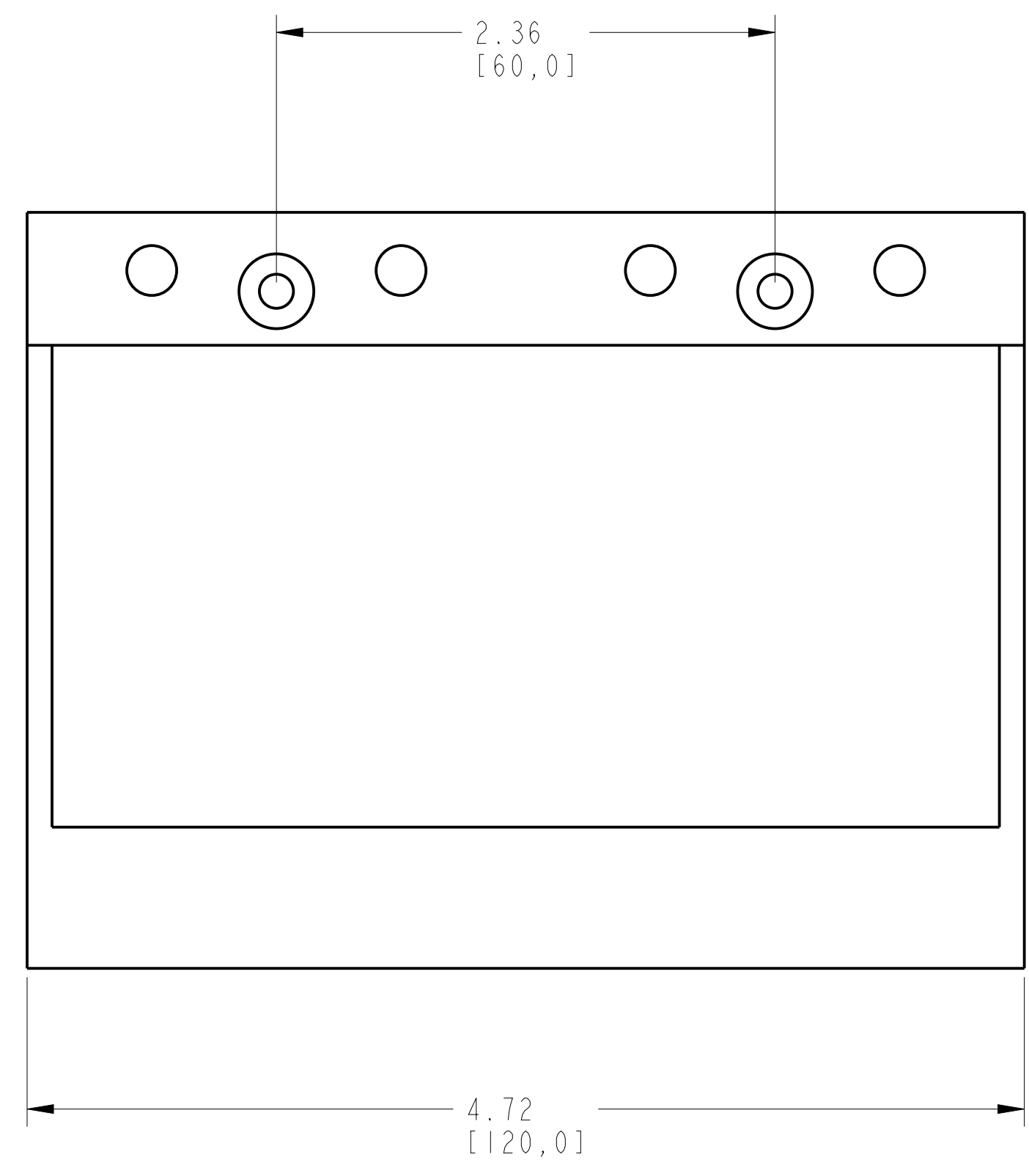
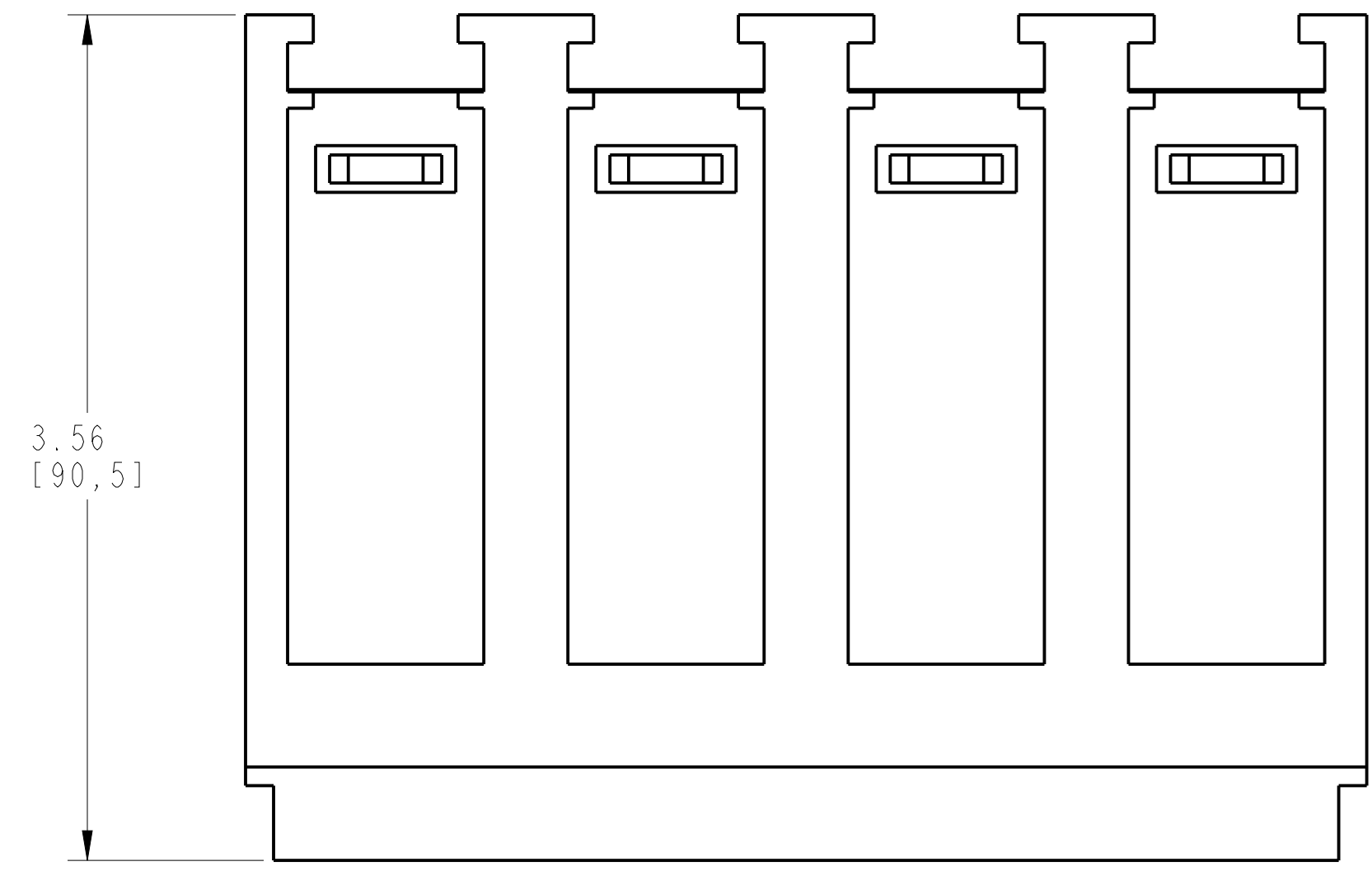


RESIDUAL CURRENT, SEL 4 POLE ASSEMBLED TO 140G-H-4-POLE
SCALE 0.8:1

	<small>CONFIDENTIAL AND PROPRIETARY INFORMATION. THIS DOCUMENT CONTAINS CONFIDENTIAL AND PROPRIETARY INFORMATION OF ROCKWELL AUTOMATION, INC. AND MAY NOT BE USED, COPIED OR DISCLOSED TO OTHERS, EXCEPT WITH THE AUTHORIZED WRITTEN PERMISSION OF ROCKWELL AUTOMATION, INC.</small>	
	RSDL CRNT ASSEMBLED TO 140G-H-4P CB	Sheet 1 Of 2
Drawn by: UMUNUSW Date: NOV-12-2013	D 10000880721	Ver 00

1 2 3 4 5 6 7 8

A
B
C
D
E
F
G
H



ISOMETRIC VIEW

ITEM2 : RESIDUAL CURRENT, SEL 4 POLE
SCALE 1.5:1

		<small>CONFIDENTIAL AND PROPRIETARY INFORMATION THIS DOCUMENT CONTAINS CONFIDENTIAL AND PROPRIETARY INFORMATION OF ROCKWELL AUTOMATION, INC. AND MAY NOT BE USED, COPIED OR DISCLOSED TO OTHERS, EXCEPT WITH THE AUTHORIZED WRITTEN PERMISSION OF ROCKWELL AUTOMATION, INC.</small>	
		Sheet 2 Of 2	
RSDL CRNT ASSEMBLED TO 140G-H4P CB		Size D	Ver 00
Drawn by: UMUNUSW	Date: NOV-12-2013	10000880721	