

1

2

3

4

5

6

7

8

MULTIPLE CABEL LUG ASSEMBLY

ITEM	DESCRIPTION	QTY	AB CAT NUMBER
1	MOLDED CASE CIRCUIT BREAKER	1	140G-H-3P CB
2	MULTIPLE CABEL LUG (3 PCS)	2 SETS	140G-H-MTL63
3	TERMINAL COVER HIGH	2	140G-H-TC3H

A

B

C

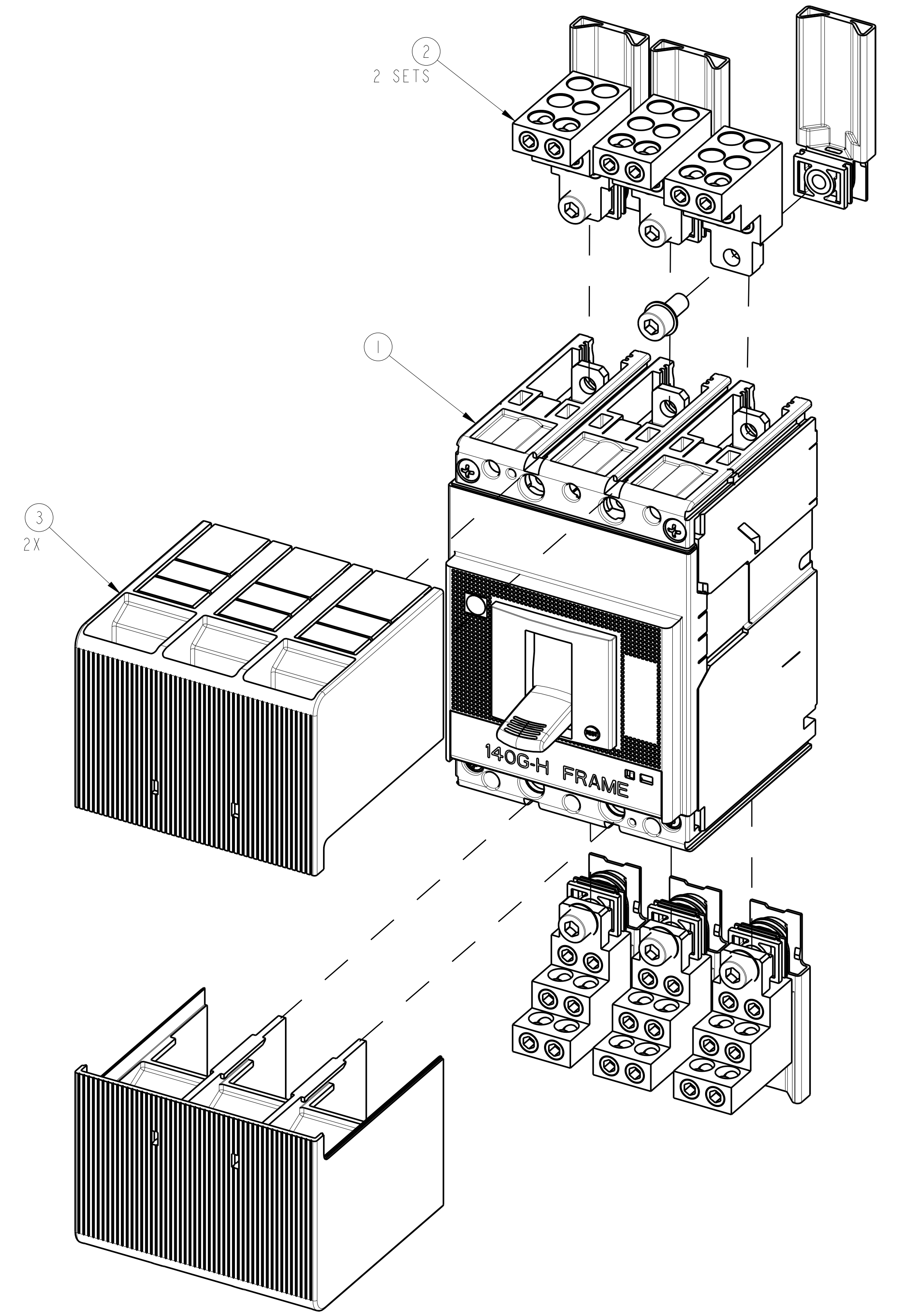
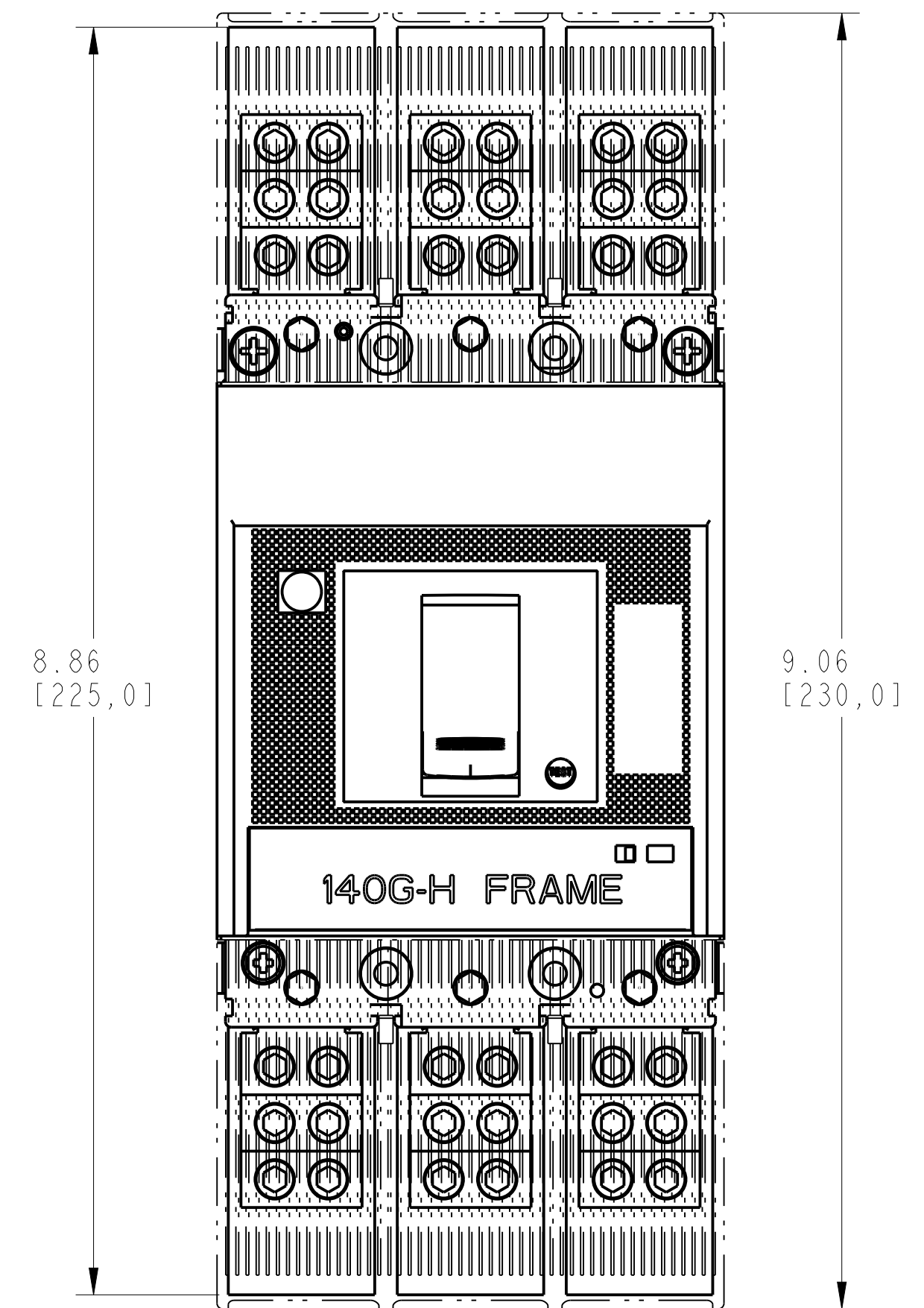
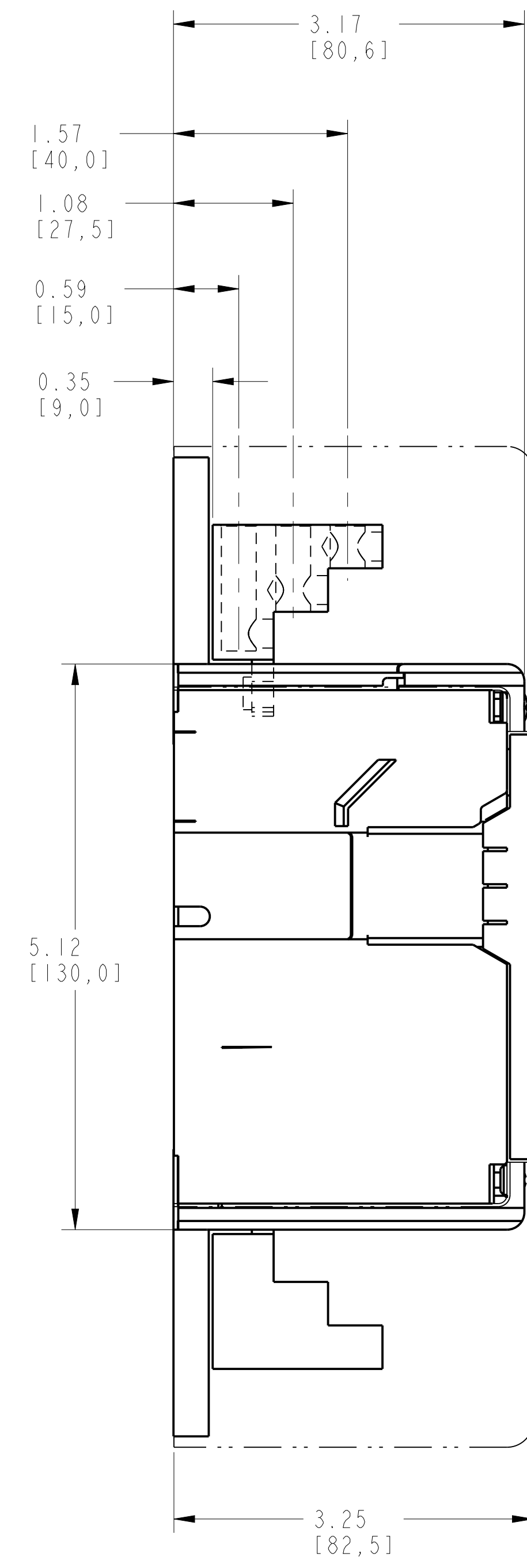
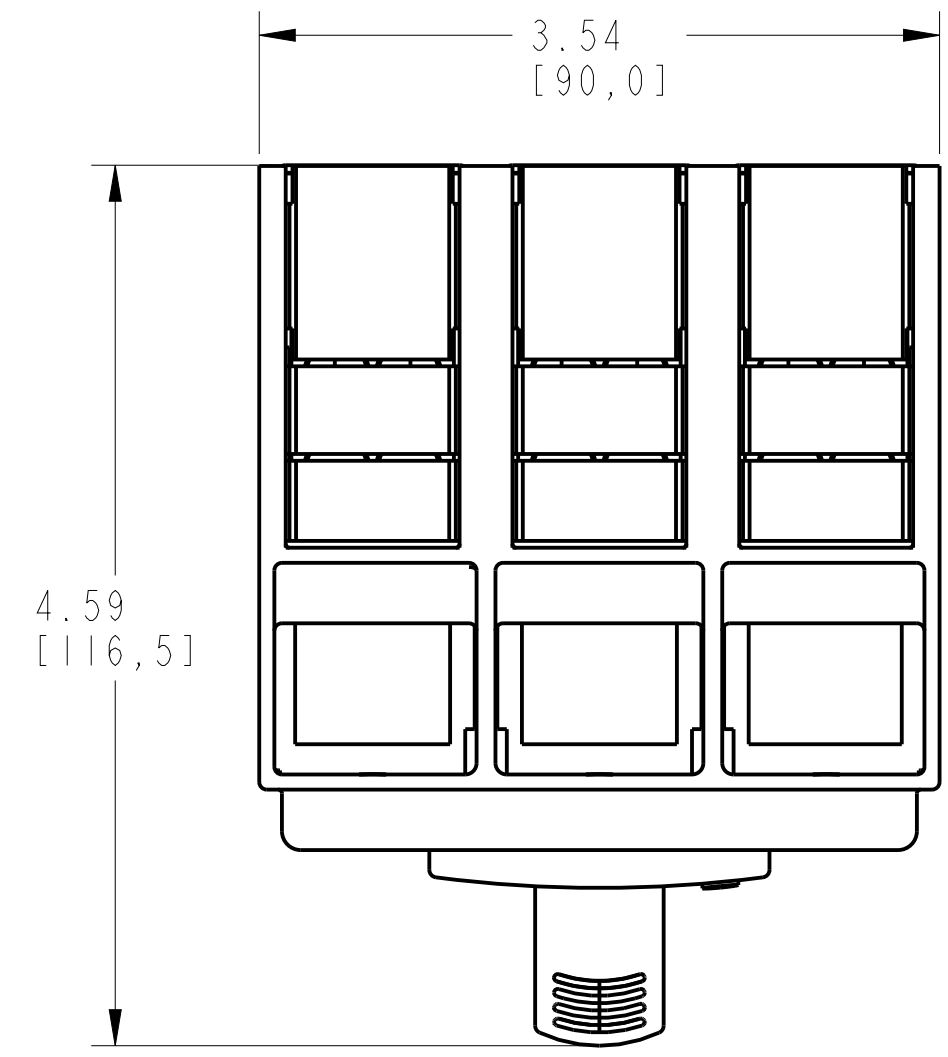
D

E

F

G

H



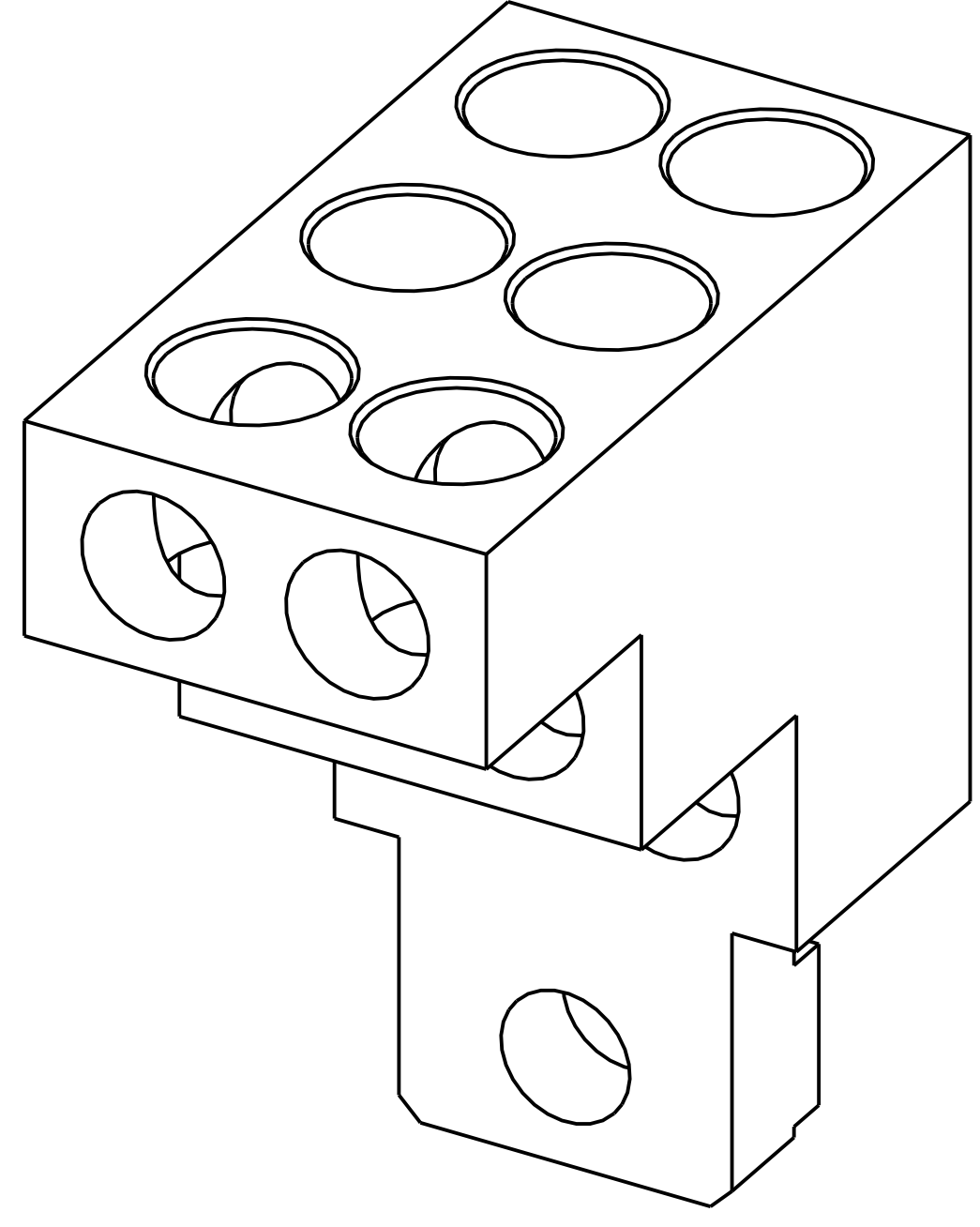
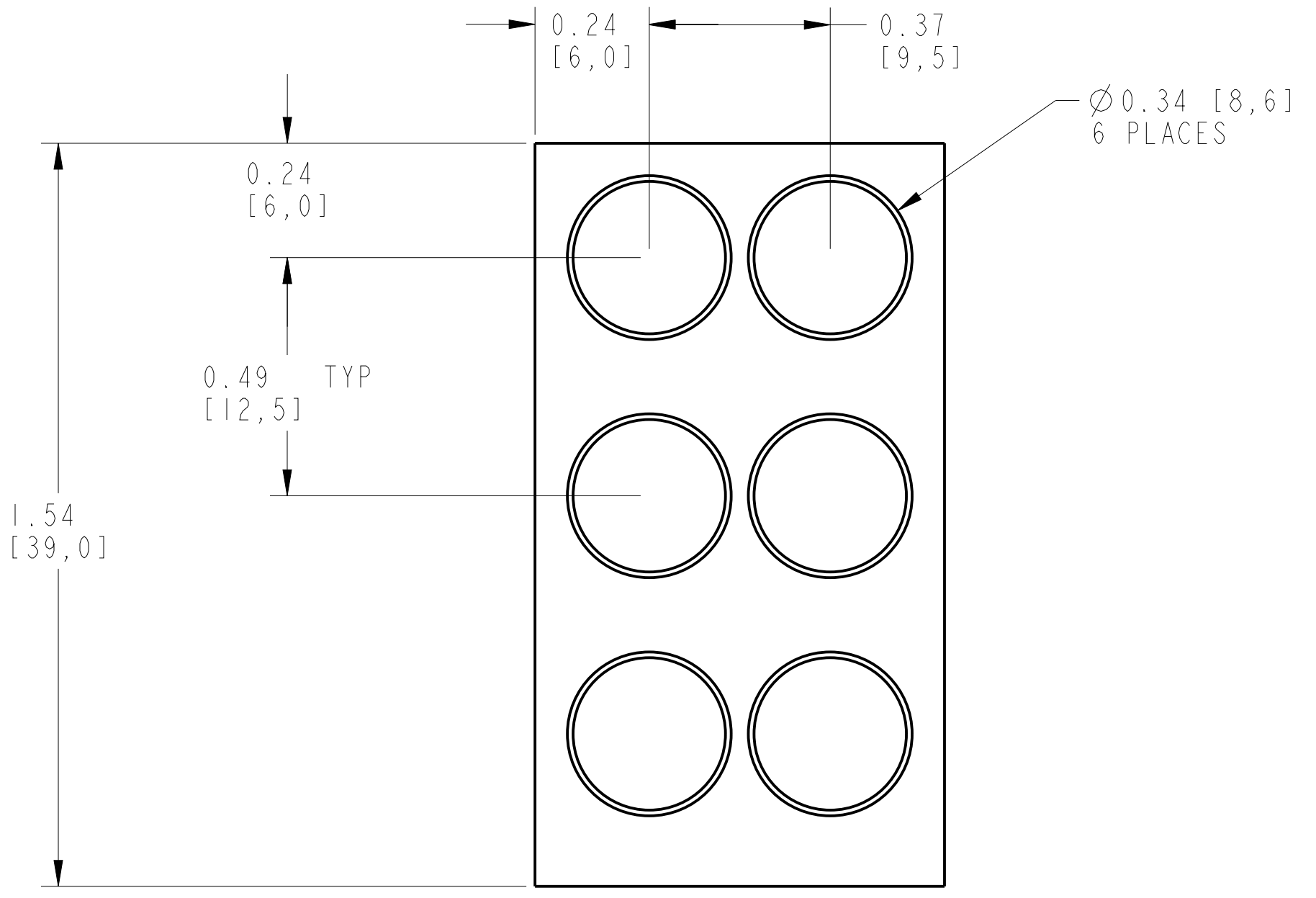
MULTIPLE CABEL LUG ASSEMBLED TO 140G-H-3-POLE

SCALE 1:1

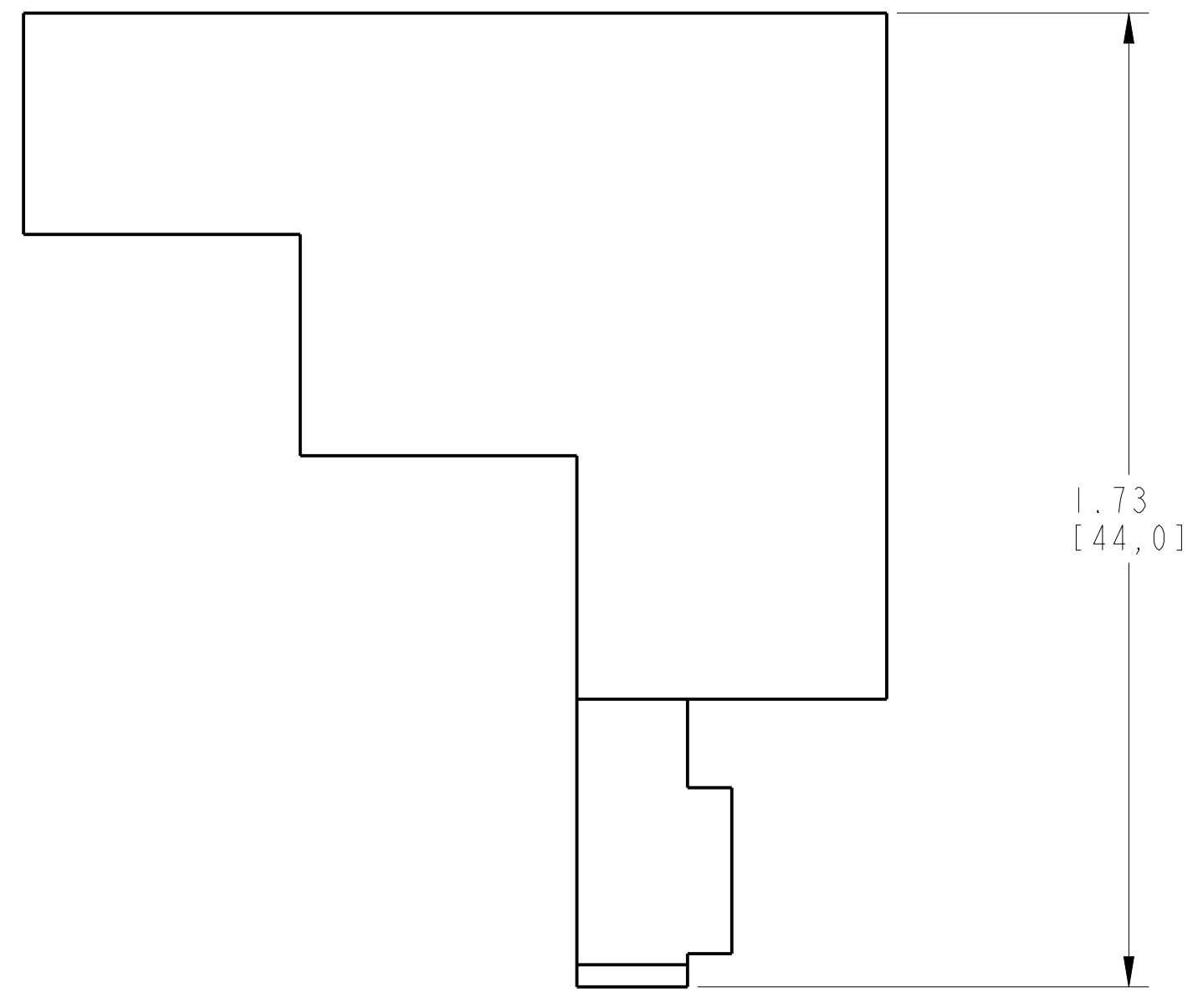
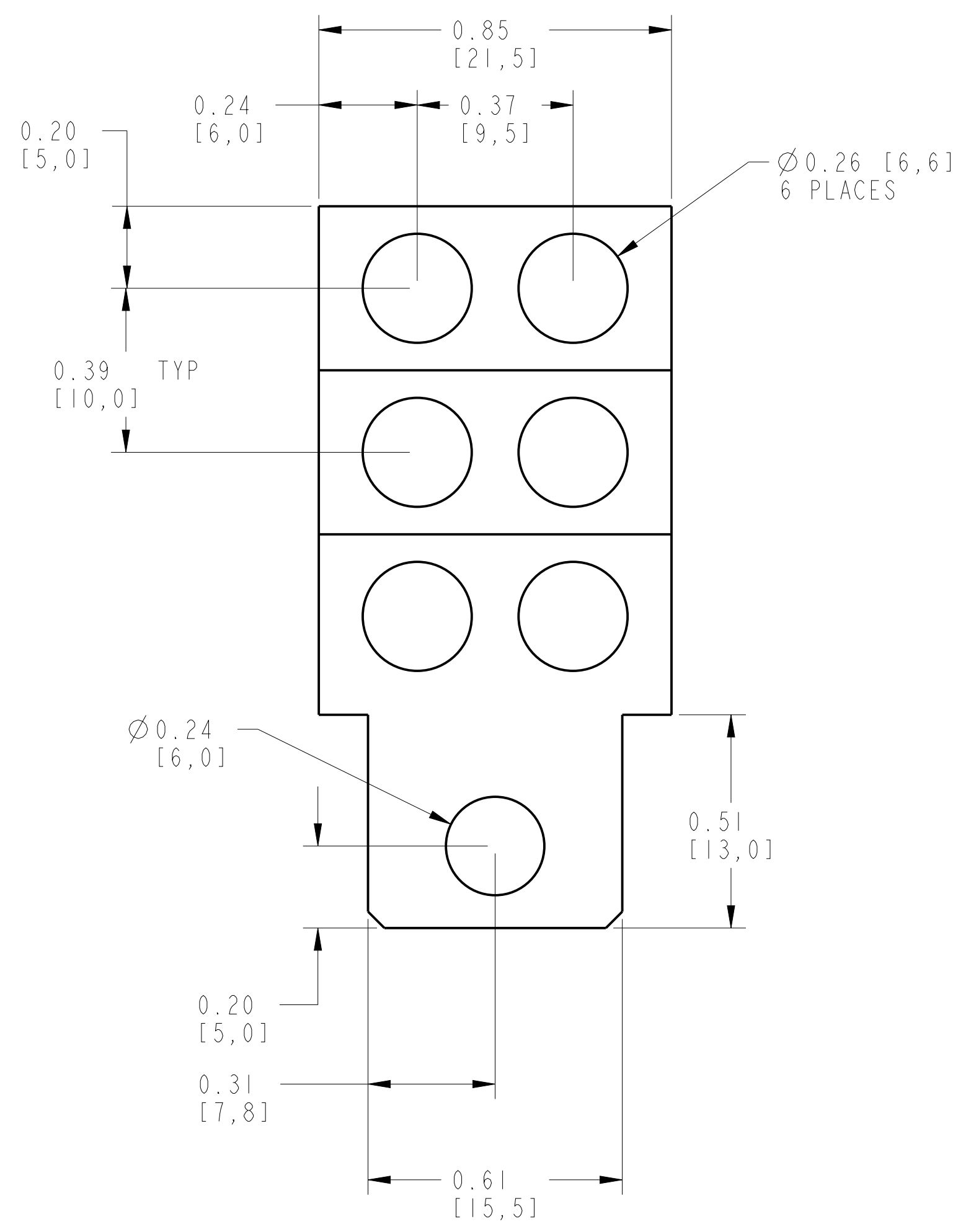
		<small>CONFIDENTIAL AND PROPRIETARY INFORMATION. THIS DOCUMENT CONTAINS CONFIDENTIAL AND PROPRIETARY INFORMATION OF ROCKWELL AUTOMATION, INC. AND MAY NOT BE USED, COPIED OR DISCLOSED TO OTHERS, EXCEPT WITH THE AUTHORIZED WRITTEN PERMISSION OF ROCKWELL AUTOMATION, INC.</small>	
		Sheet 1 Of 2	
MCCU ASSEMBLED TO 140G-H-3-POLE		Size D	Ver 00
Drawn by: UMUNUSW	Date: OCT-18-2013	10000852082	

1 2 3 4 5 6 7 8

A
B
C
D
E
F
G
H



ISOMETRIC VIEW



ITEM 2 : MULTIPLE CABEL LUG
SCALE 3.5:1

		<small>CONFIDENTIAL AND PROPRIETARY INFORMATION. THIS DOCUMENT CONTAINS CONFIDENTIAL AND PROPRIETARY INFORMATION OF ROCKWELL AUTOMATION, INC. AND MAY NOT BE USED, COPIED OR DISCLOSED TO OTHERS, EXCEPT WITH THE AUTHORIZED WRITTEN PERMISSION OF ROCKWELL AUTOMATION, INC.</small>	
		Sheet 2 Of 2	
MCCU ASSEMBLED TO 140G-H-3-POLE		Size D	Ver 00
Drawn by: UMUNUSW	Date: OCT-18-2013	1000852082	