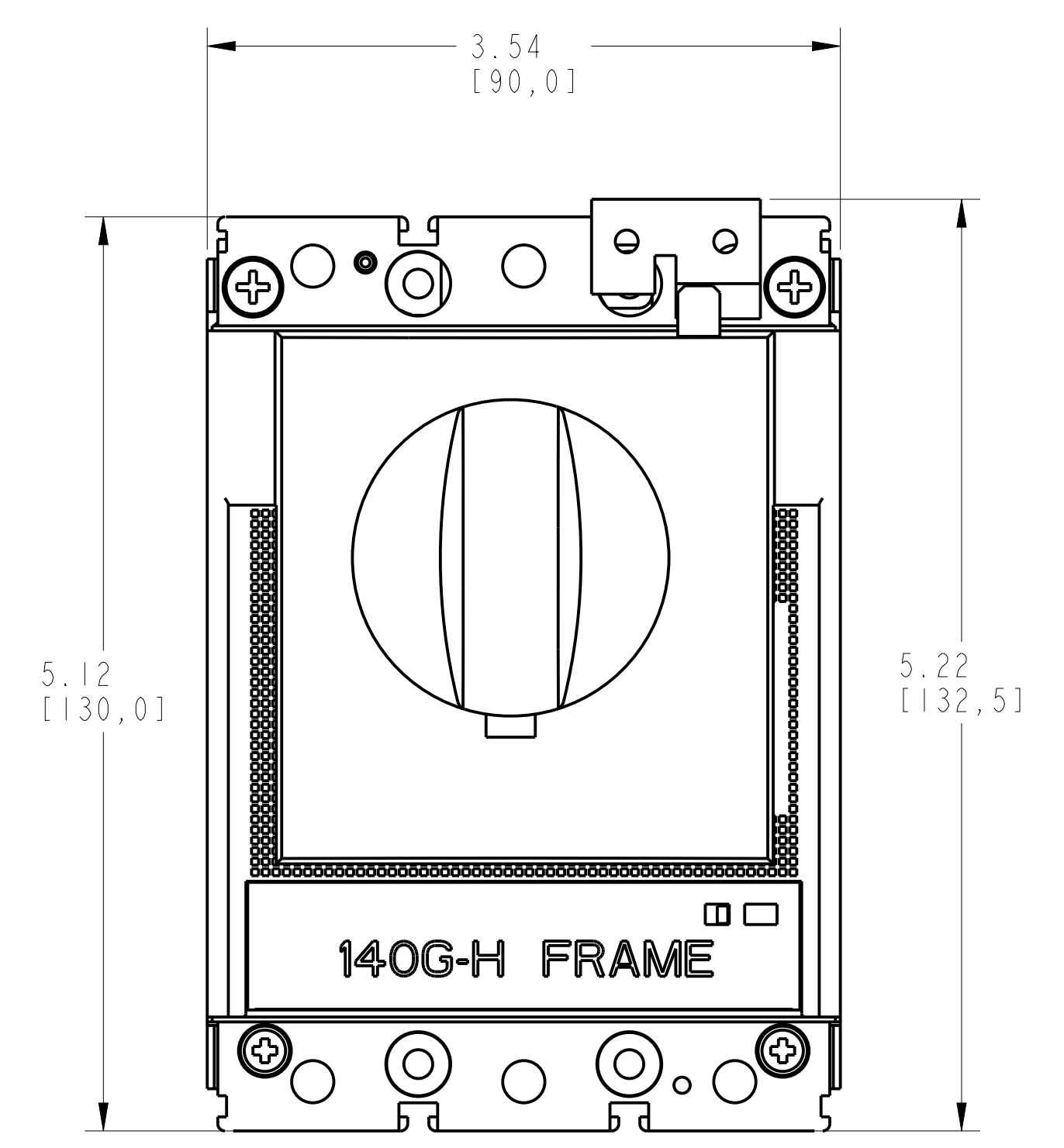
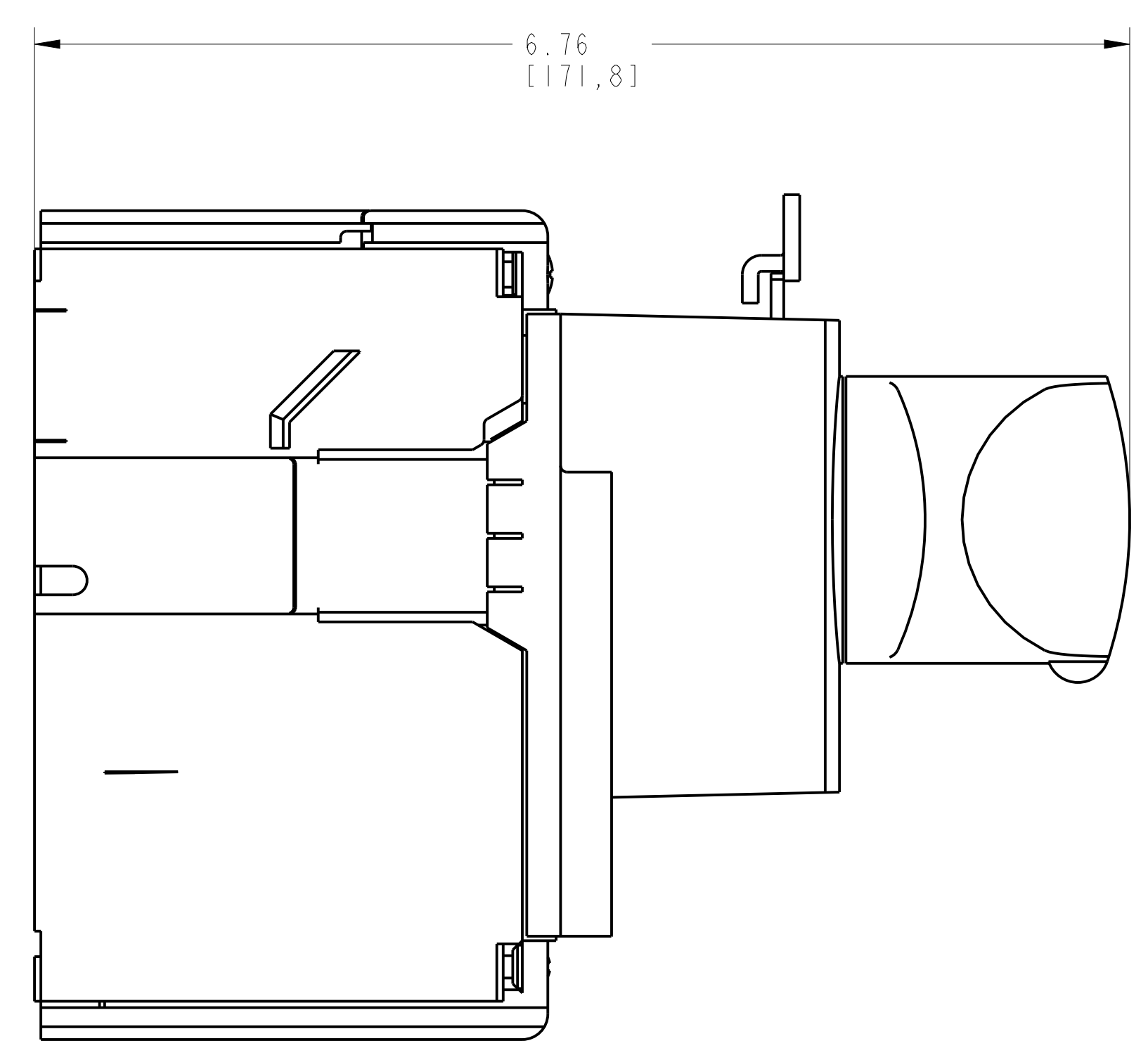
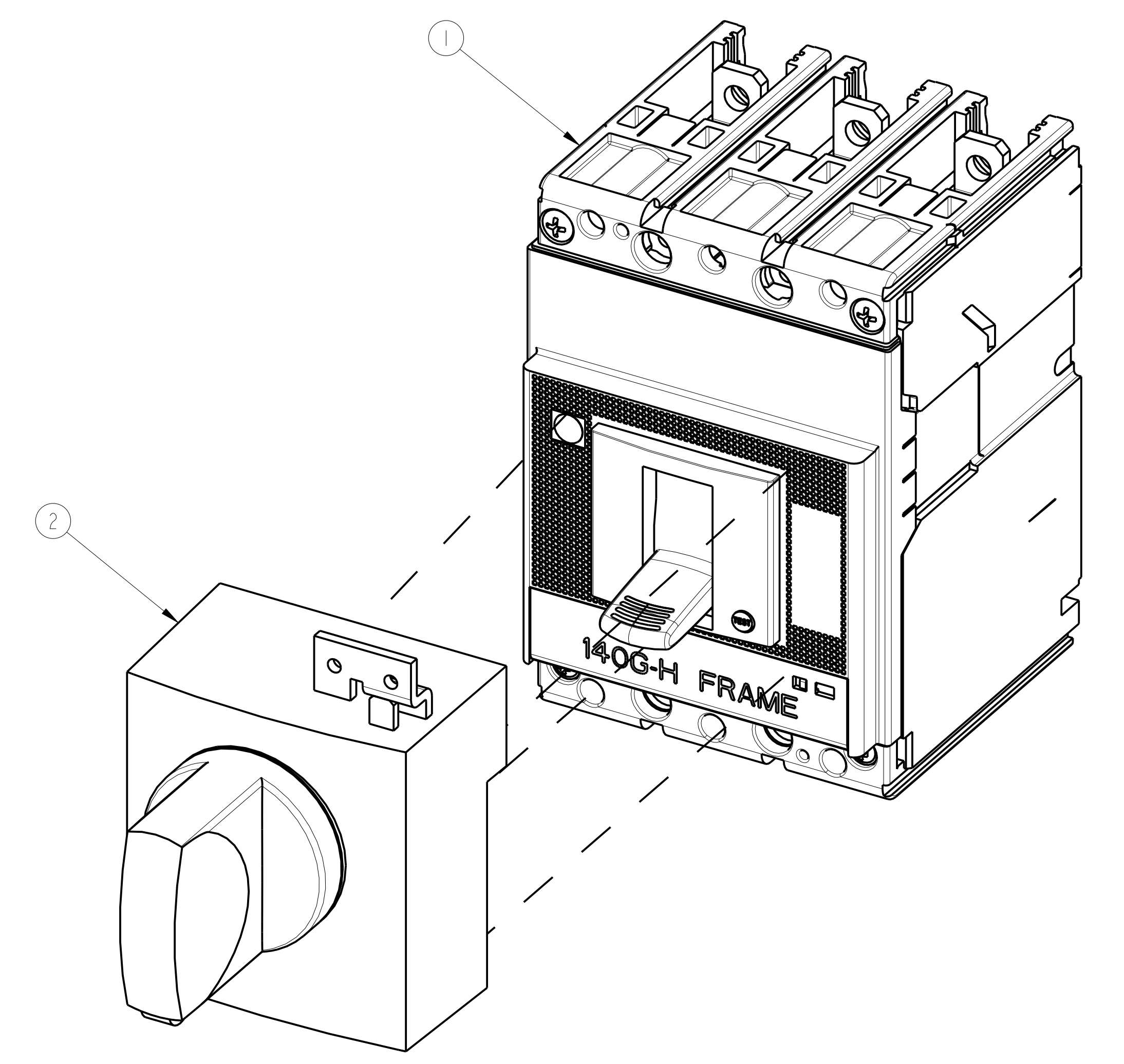
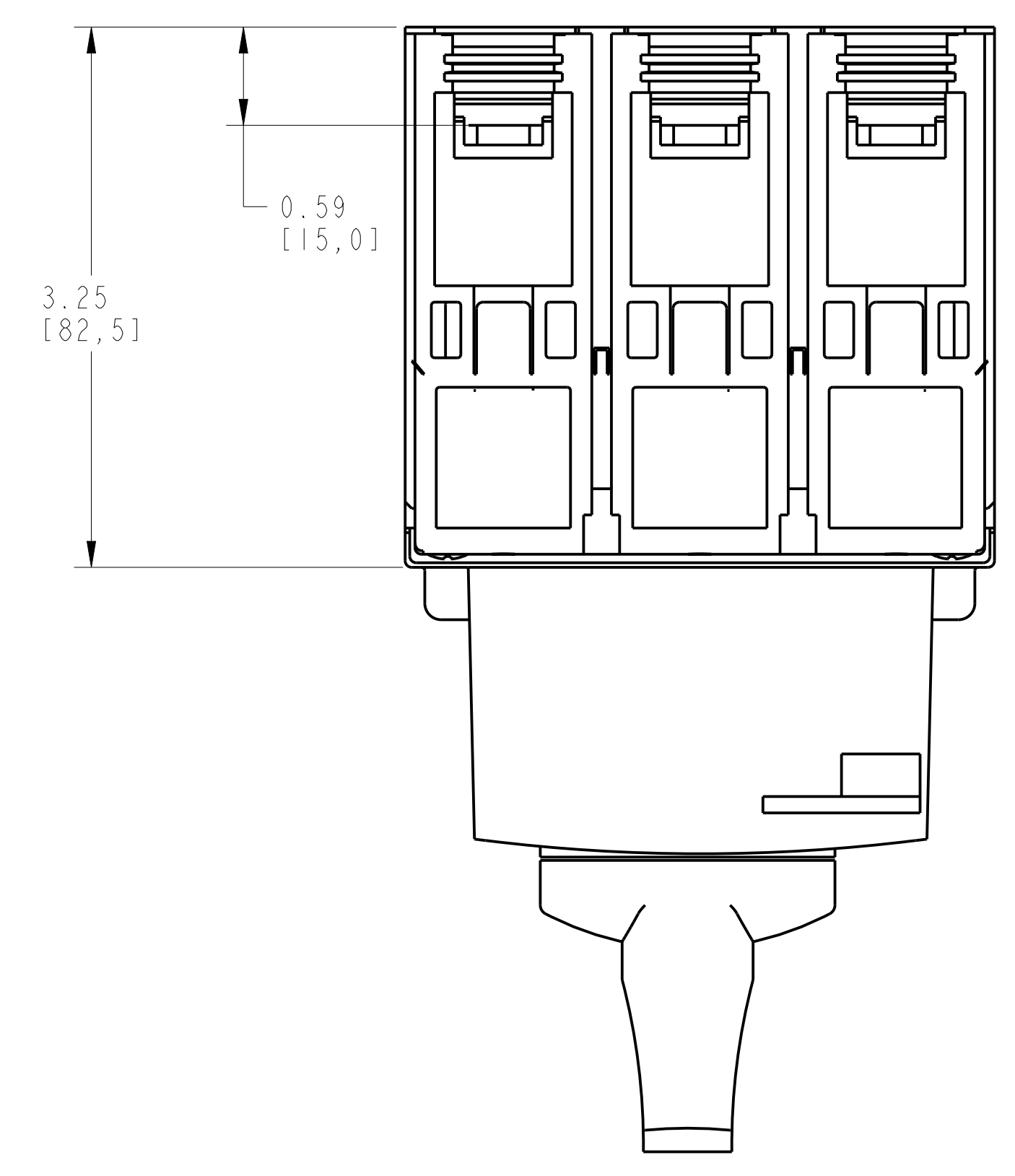


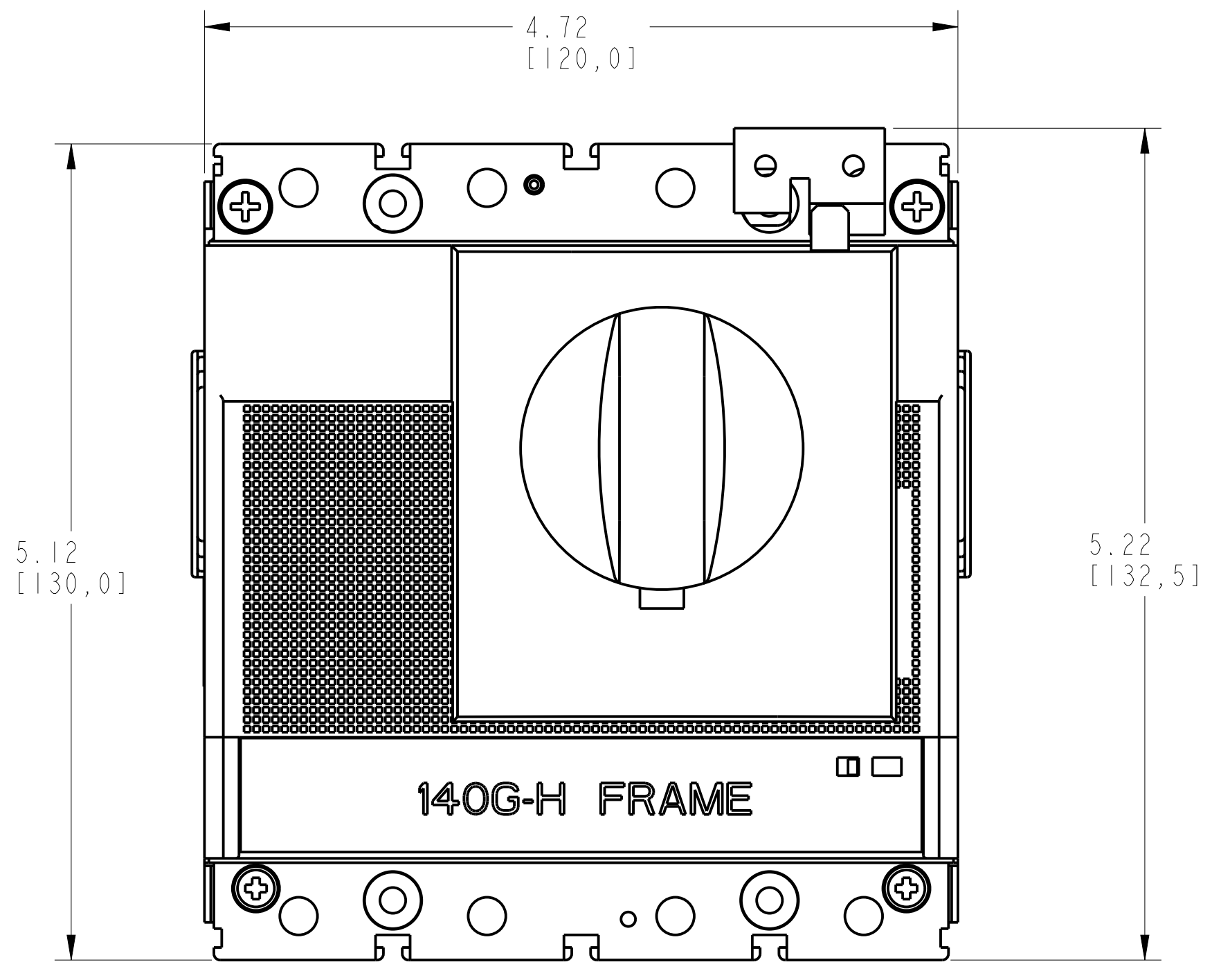
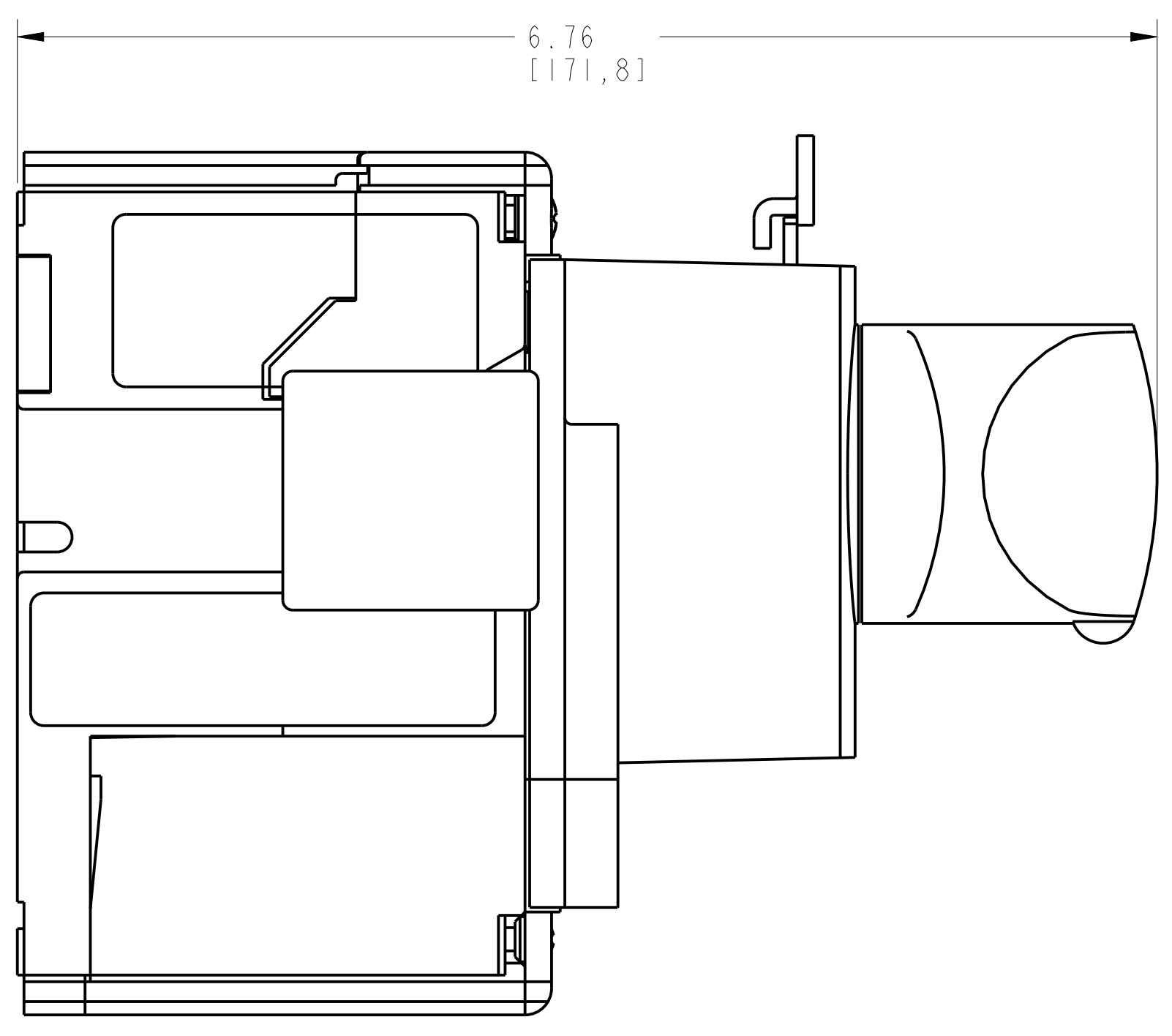
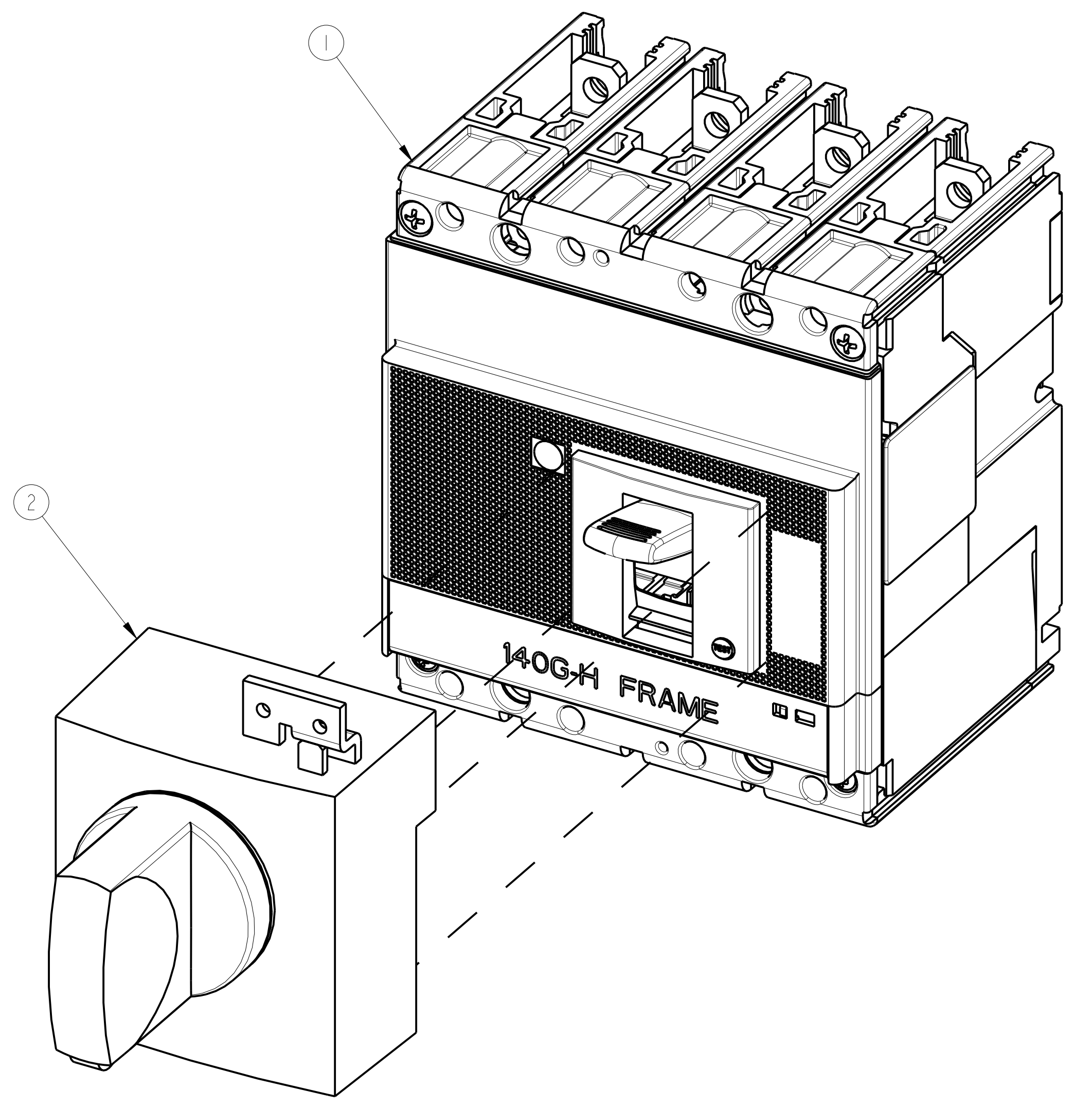
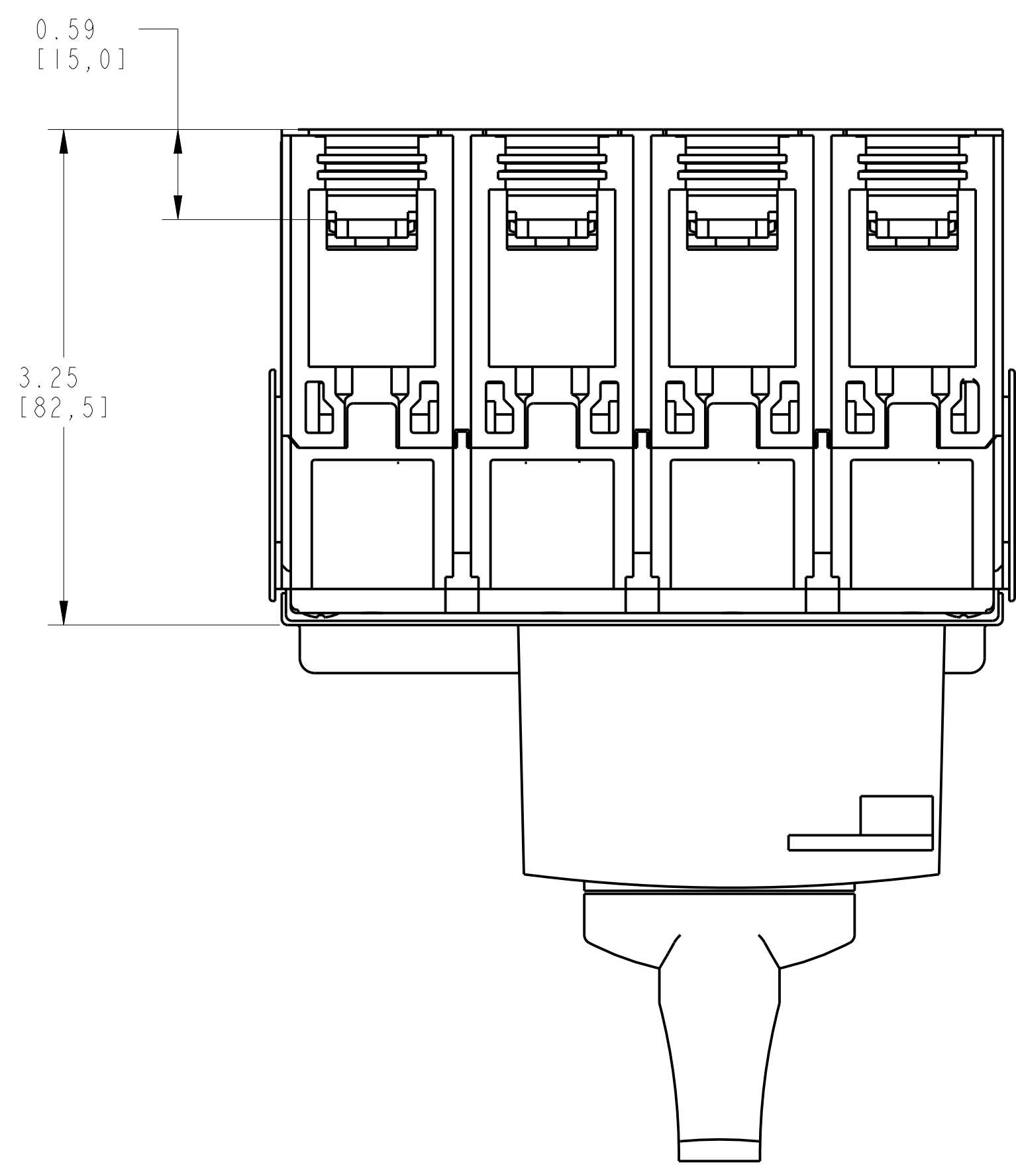
DIRECT ROTARY MECH BLACK ASSEMBLY			
ITEM	DESCRIPTION	QTY	AB CAT NUMBER
1	MOLDED CASE CIRCUIT BREAKER-3POLE	1	140G-H-3P CB
2	DIRECT ROTARY MECH BLACK	1	140G-H-RMB



DIRECT ROTARY MECH BLACK ASSEMBLED TO 140G-H-3-POLE  
SCALE 1:20:1

		<small>CONFIDENTIAL AND PROPRIETARY INFORMATION. THIS DOCUMENT CONTAINS CONFIDENTIAL AND PROPRIETARY INFORMATION OF ROCKWELL AUTOMATION, INC. AND MAY NOT BE USED, COPIED OR DISCLOSED TO OTHERS, EXCEPT WITH THE AUTHORIZED WRITTEN PERMISSION OF ROCKWELL AUTOMATION, INC.</small>	
		Sheet 1 Of 3	
RMB ASSEMBLED TO 140-H-3P & 4P CB		Size	Ver
D		10000858461	00
Drawn by: UMUNUSW		Date: 26-Nov-13	

DIRECT ROTARY MECH BLACK ASSEMBLY			
ITEM	DESCRIPTION	QTY	AB CAT NUMBER
1	MOLDED CASE CIRCUIT BREAKER-4POLE	1	140G-H-4P CB
2	DIRECT ROTARY MECH BLACK	1	140G-H-RMB

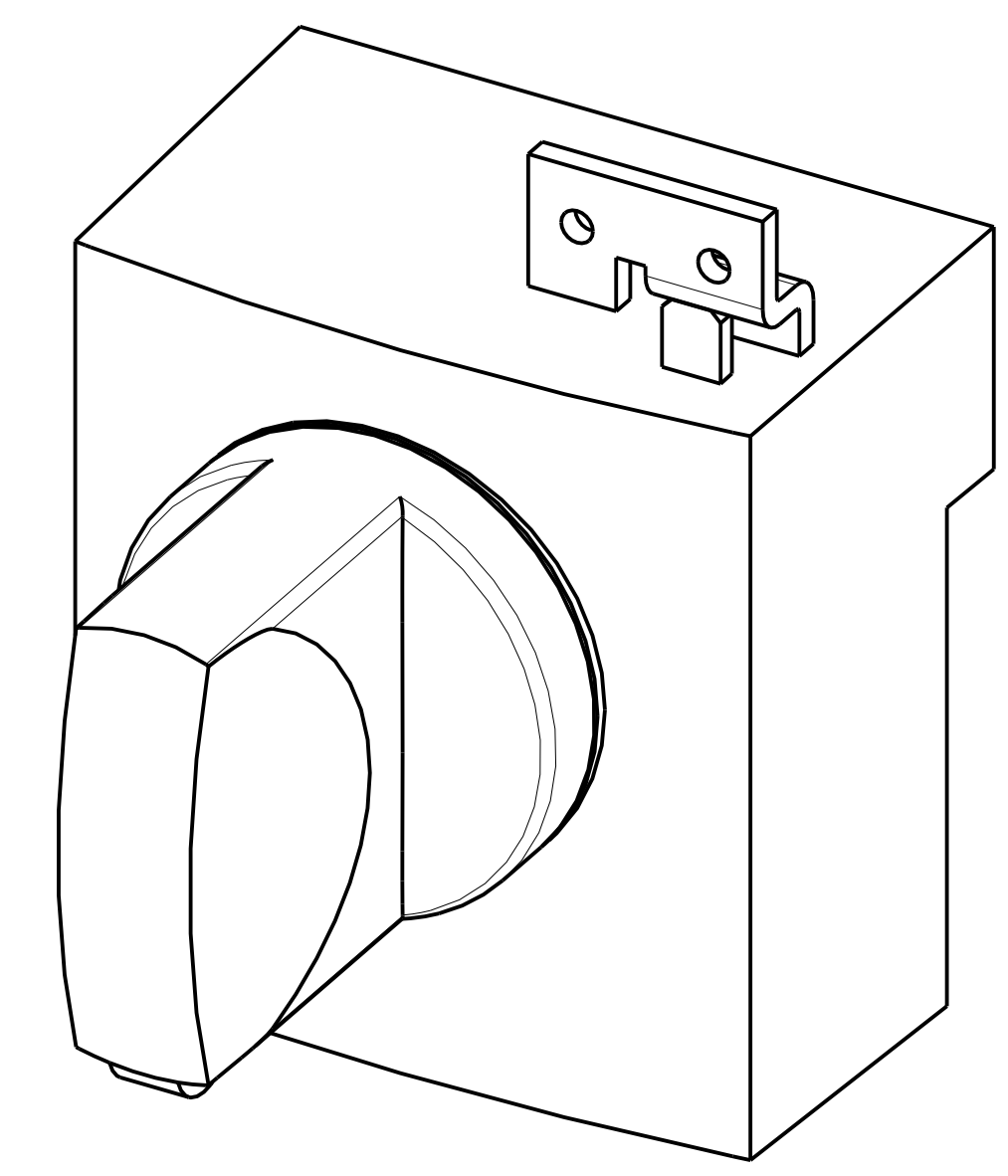
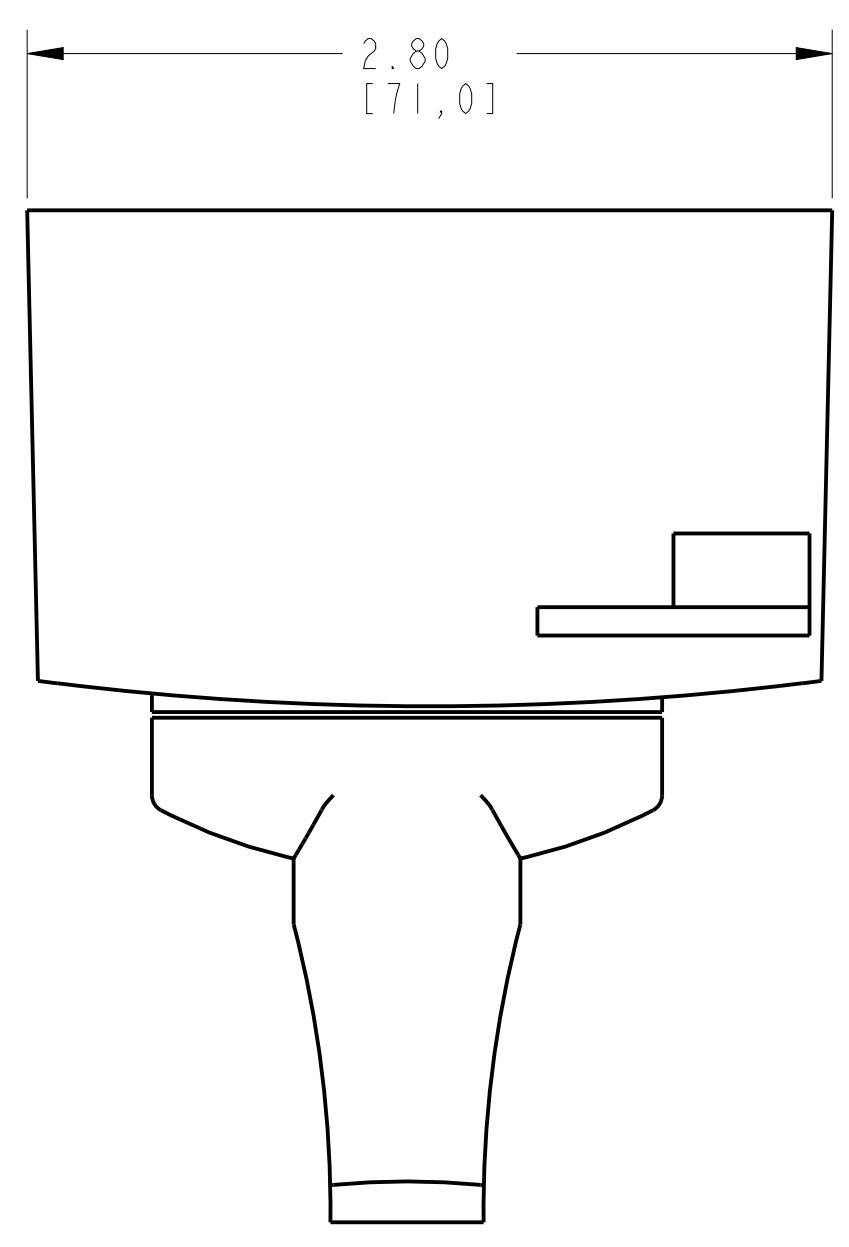


DIRECT ROTARY MECH BLACK ASSEMBLED TO 140G-H-4-POLE  
SCALE 1.20:1

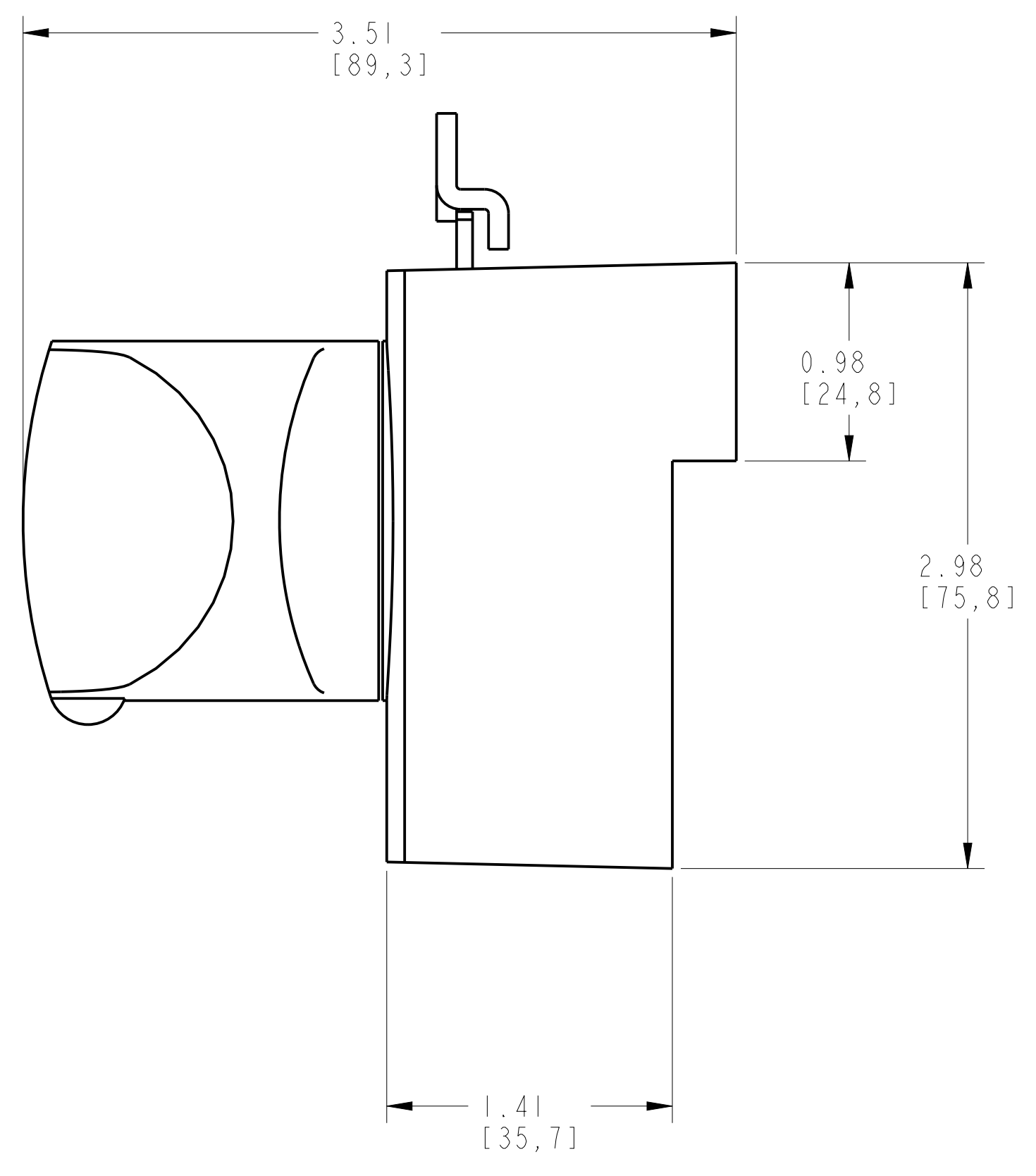
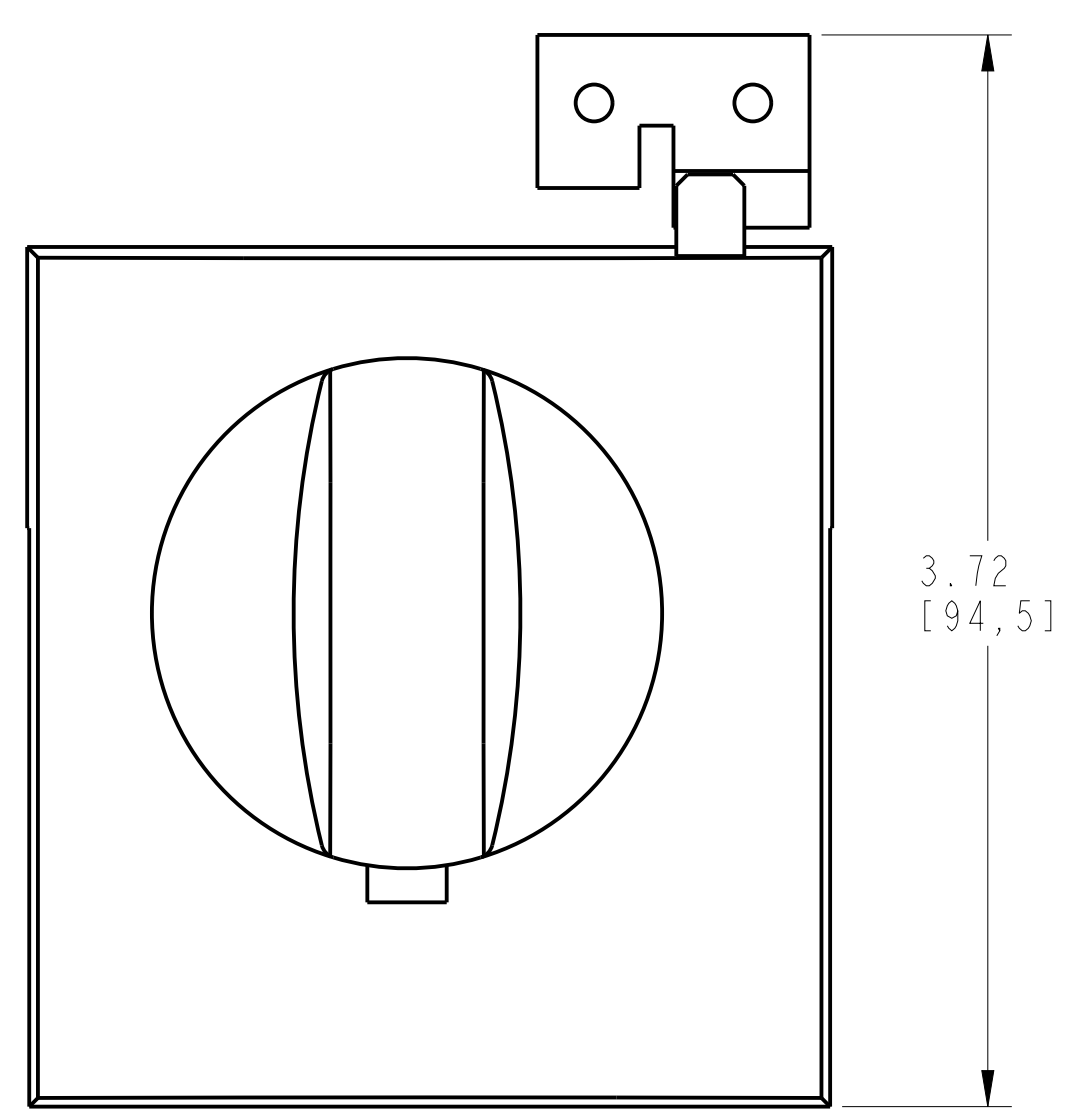
	<small>CONFIDENTIAL AND PROPRIETARY INFORMATION. THIS DOCUMENT CONTAINS CONFIDENTIAL AND PROPRIETARY INFORMATION OF ROCKWELL AUTOMATION, INC. AND MAY NOT BE USED, COPIED OR DISCLOSED TO OTHERS, EXCEPT WITH THE AUTHORIZED WRITTEN PERMISSION OF ROCKWELL AUTOMATION, INC.</small>	
	RMB ASSEMBLED TO 140-H-3P & 4P CB	Sheet 2 Of 3
Drawn by: UMUNUSW    Date: 26-Nov-13	D    10000858461	Ver 00

1 2 3 4 5 6 7 8

A  
B  
C  
D  
E  
F  
G  
H



ISOMETRIC VIEW



ITEM 2 : DIRECT ROTARY MECH BLACK  
SCALE 1.50:1

		<small>CONFIDENTIAL AND PROPRIETARY INFORMATION THIS DOCUMENT CONTAINS CONFIDENTIAL AND PROPRIETARY INFORMATION OF ROCKWELL AUTOMATION, INC. AND MAY NOT BE USED, COPIED OR DISCLOSED TO OTHERS, EXCEPT WITH THE AUTHORIZED WRITTEN PERMISSION OF ROCKWELL AUTOMATION, INC.</small>	
		Sheet 3 Of 3	
RMB ASSEMBLED TO 140-H-3P & 4P CB		Size D	Ver 00
Drawn by: UMUNUSW	Date: 26-Nov-13	10000858461	