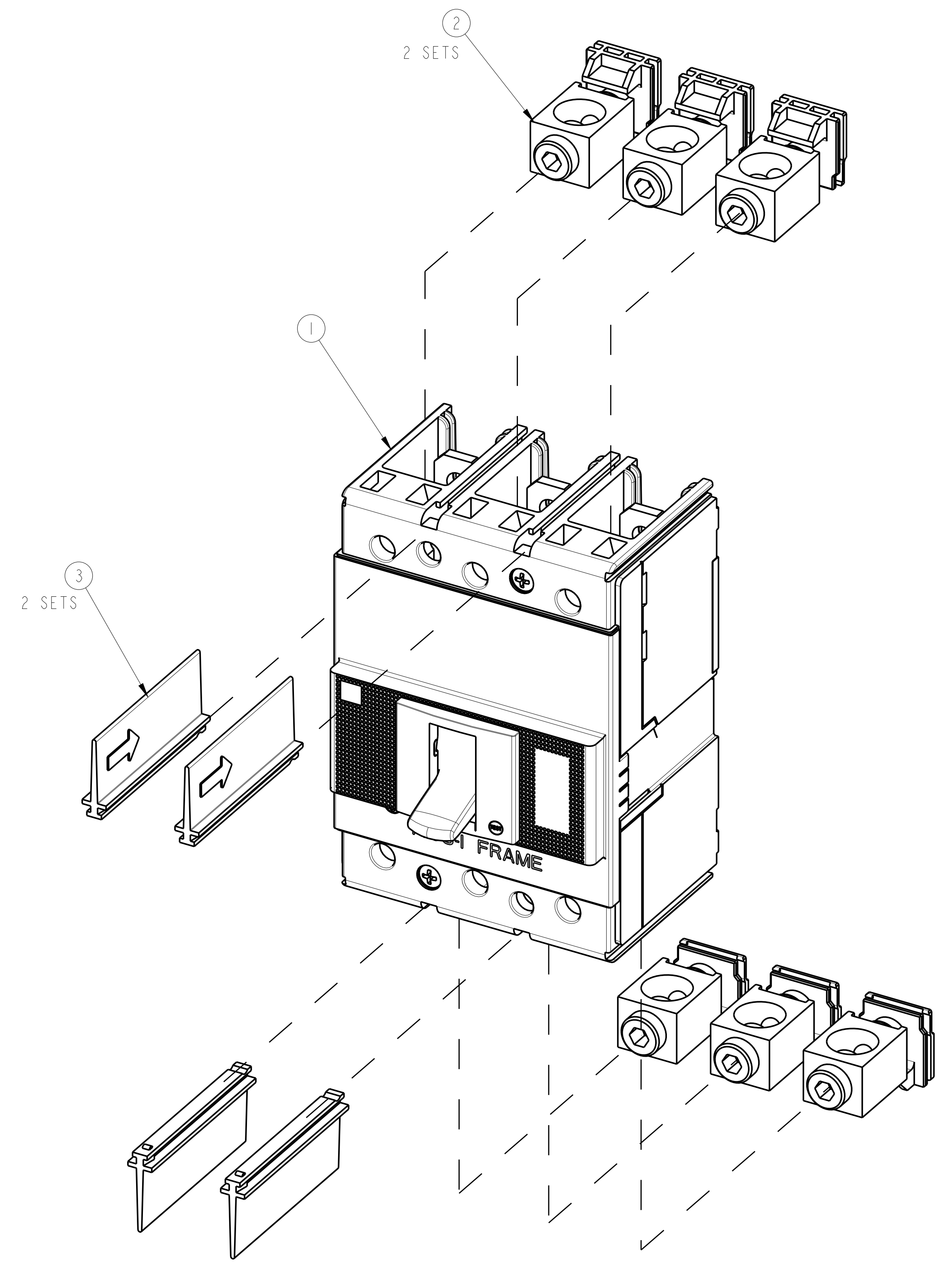
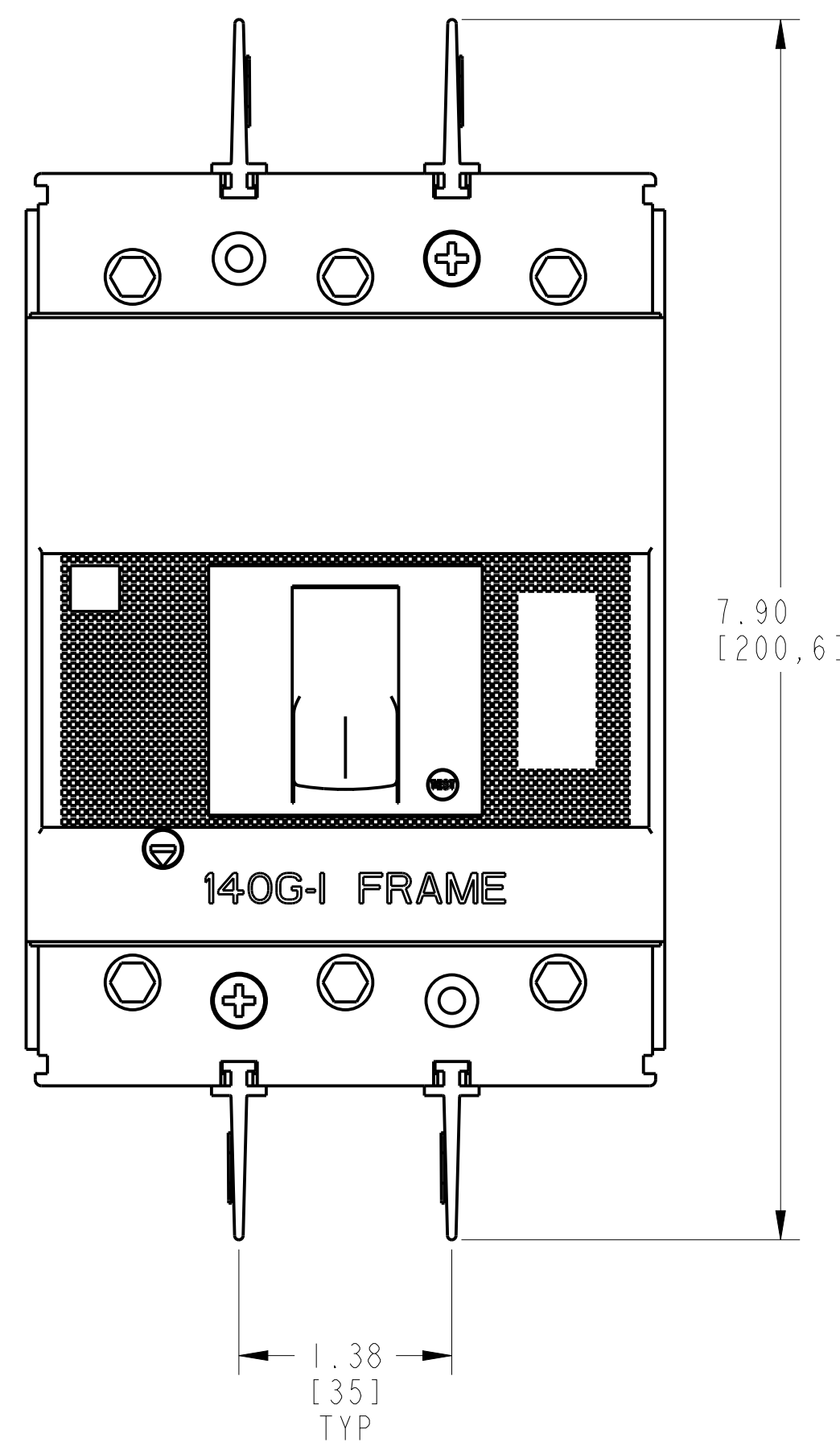
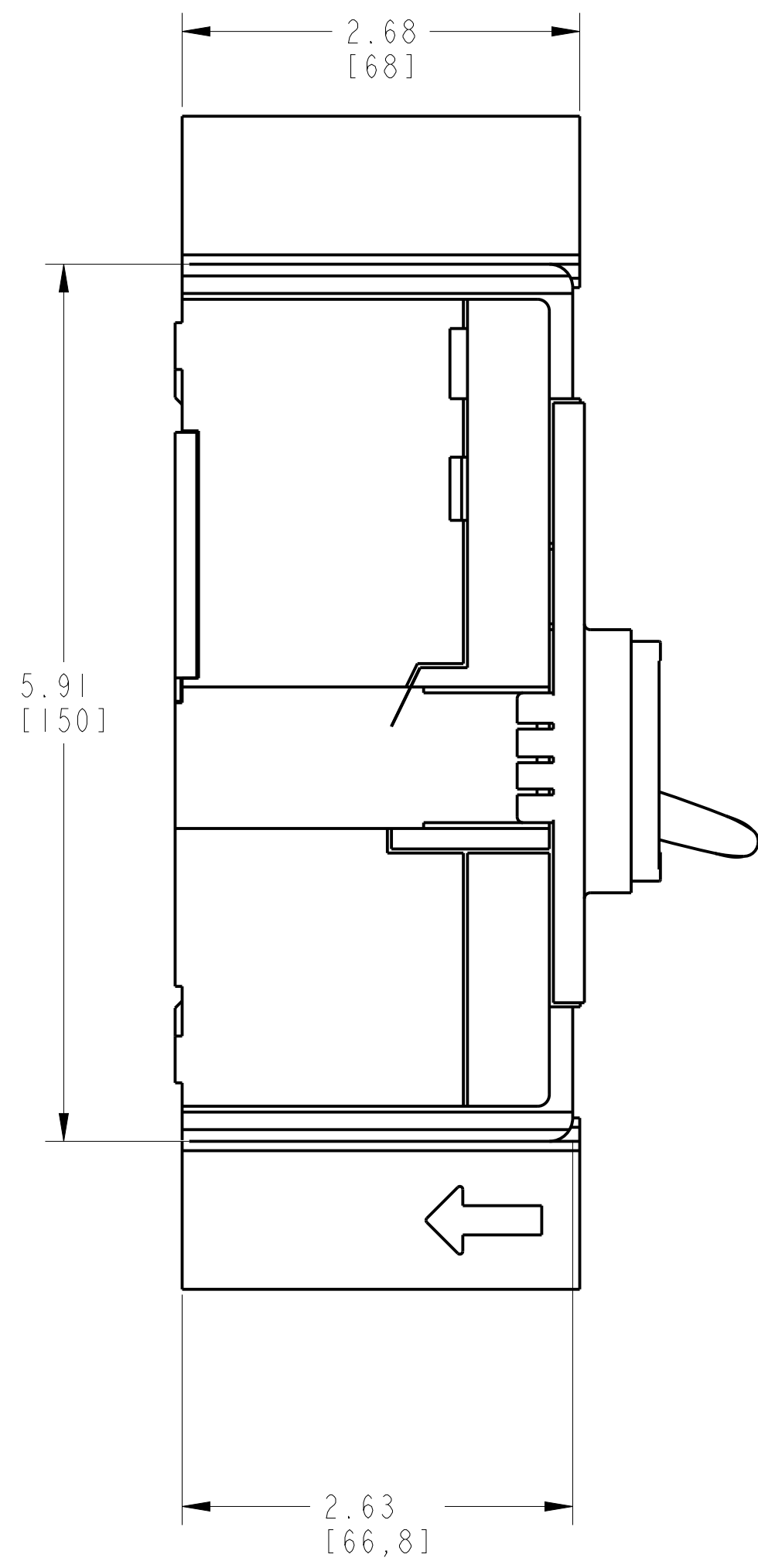
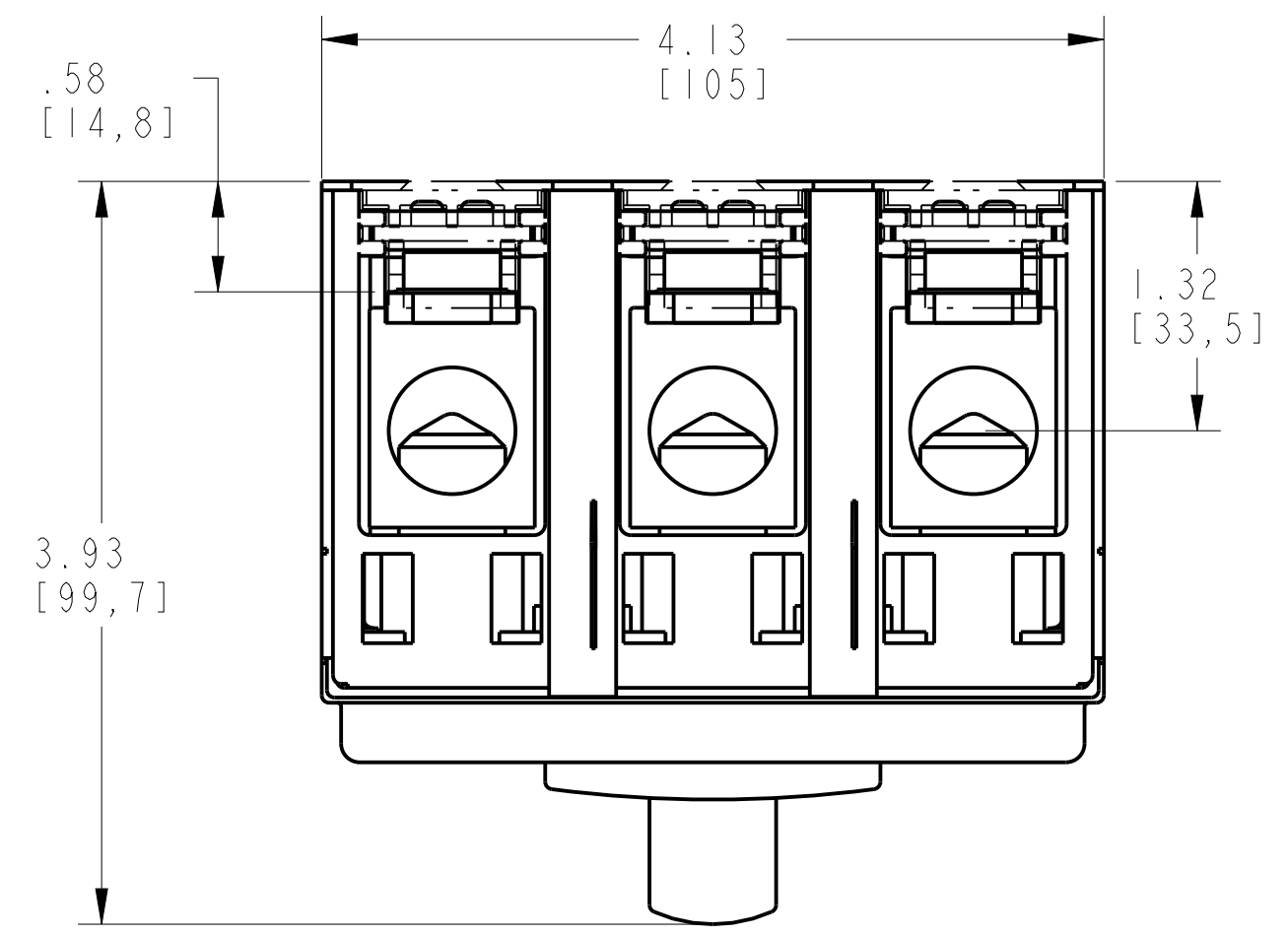


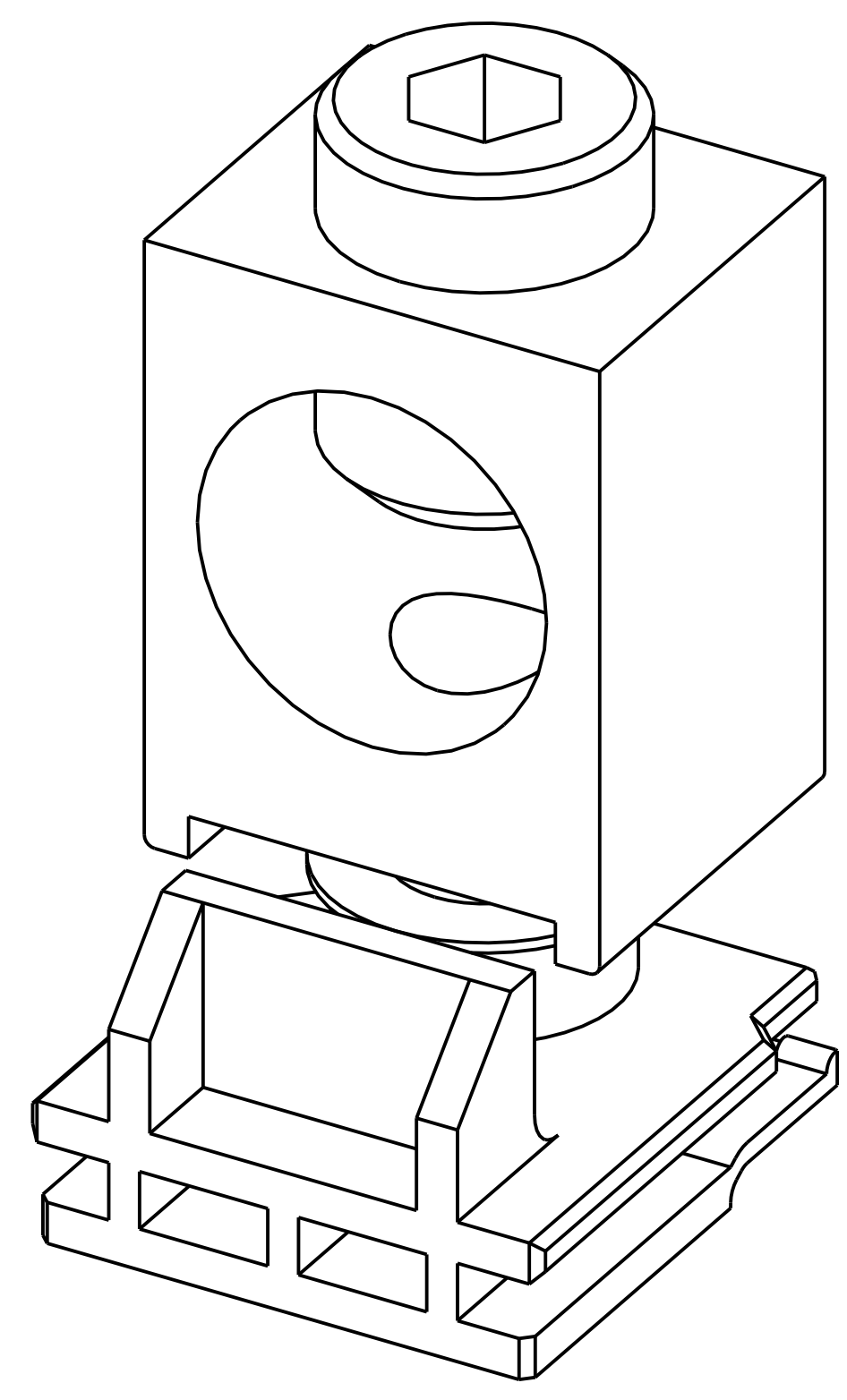
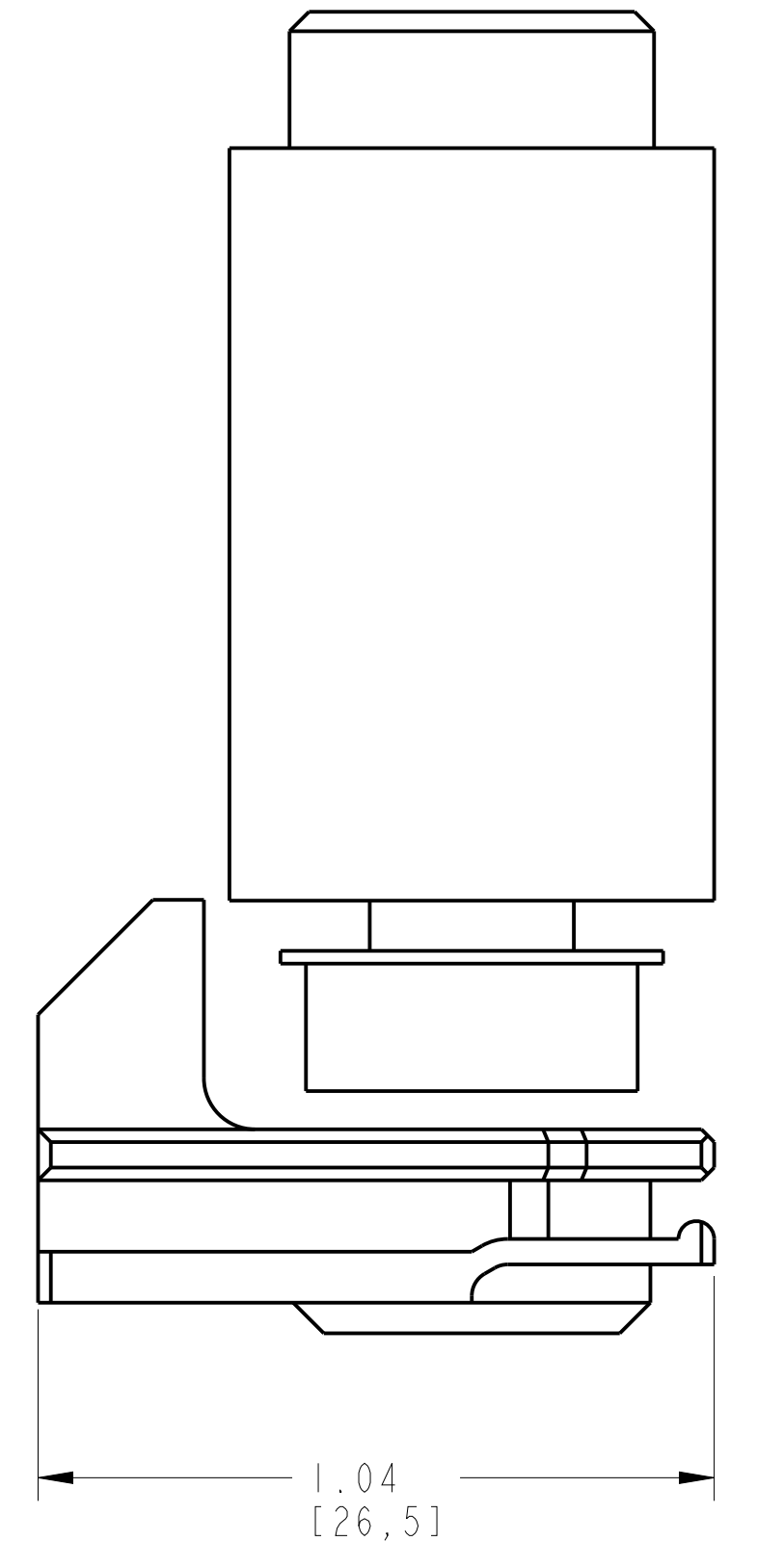
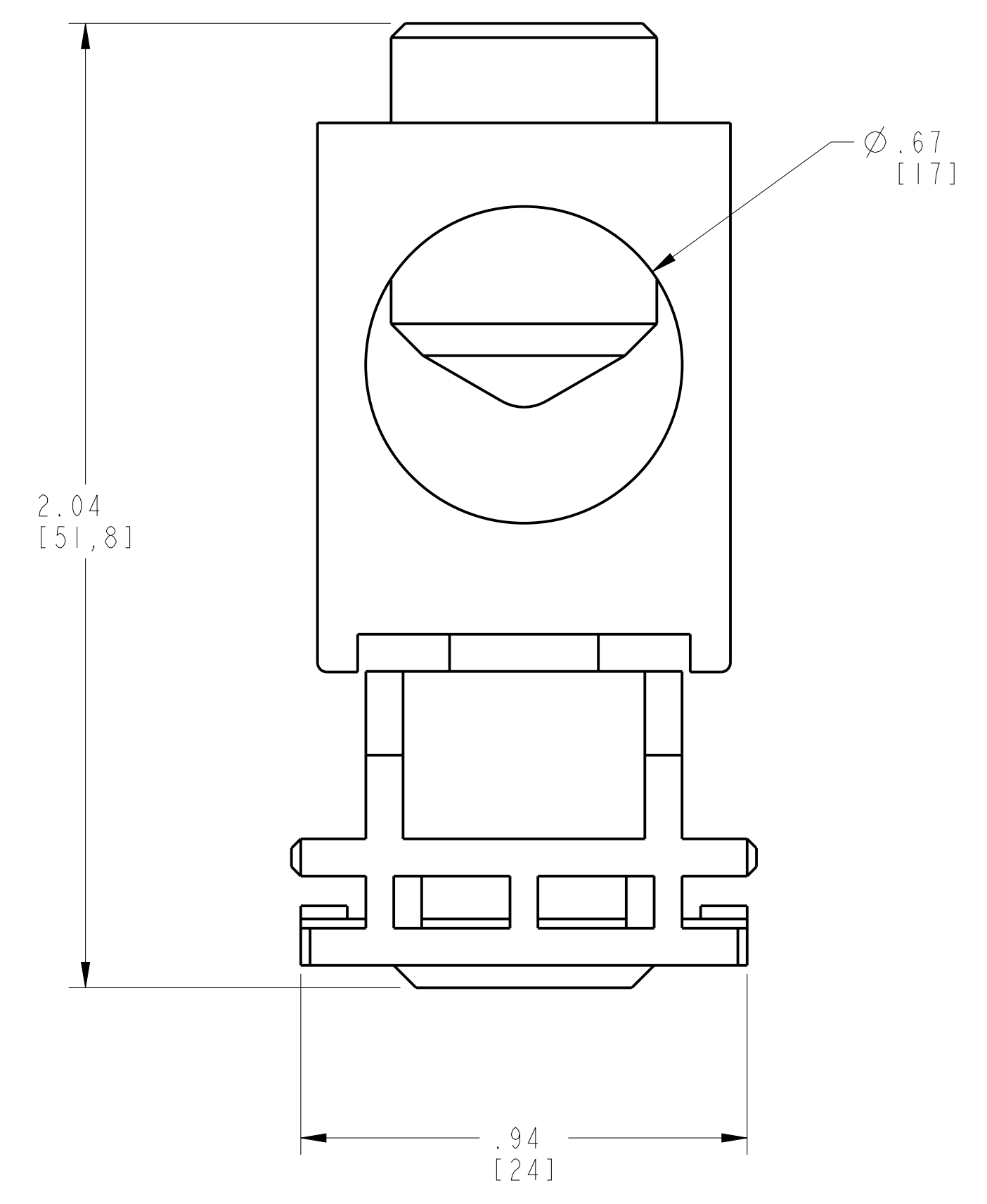
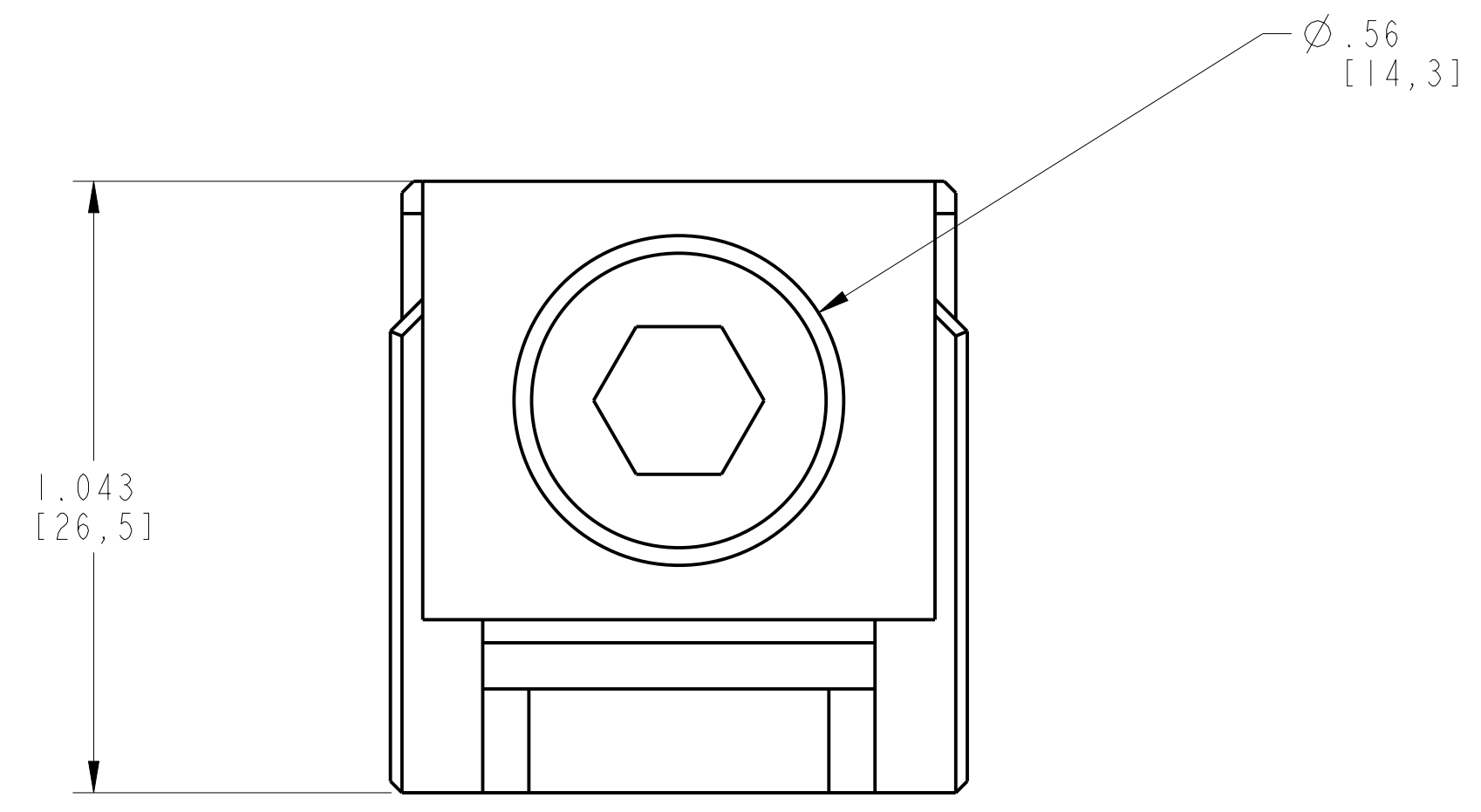
TERMINAL FOR FCCU-AL ASSEMBLY			
ITEM	DESCRIPTION	QTY	AB CAT NUMBER
1	MOLDED CASE CIRCUIT BREAKER	1	140G-I-3P CB
2	FCCU-AL TERMINAL (3 PCS)	2 SETS	140G-I-TLAI3
3	PHASE BARRIERS 25MM (2 PCS)	2 SETS	140G-G-PB3M



TERMINAL FOR FCCU-AL ASSEMBLED TO 140G-I-3-POLE
SCALE 1:1

1 2 3 4 5 6 7 8

A
B
C
D
E
F
G
H



ISOMETRIC VIEW

ITEM 2 : TERMINAL FOR FCCU-AL
SCALE 1:1

		<small>CONFIDENTIAL AND PROPRIETARY INFORMATION. THIS DOCUMENT CONTAINS CONFIDENTIAL AND PROPRIETARY INFORMATION OF ROCKWELL AUTOMATION, INC. AND MAY NOT BE USED, COPIED OR DISCLOSED TO OTHERS, EXCEPT WITH THE AUTHORIZED WRITTEN PERMISSION OF ROCKWELL AUTOMATION, INC.</small>	
		Sheet 2 Of 2	
TERMINAL FOR FCCU-AL ASSEMBLED TO 140G-I-3P CB		Size D	Ver 00
Drawn by: UMUNUSW	Date: 11-18-13	1000888592	