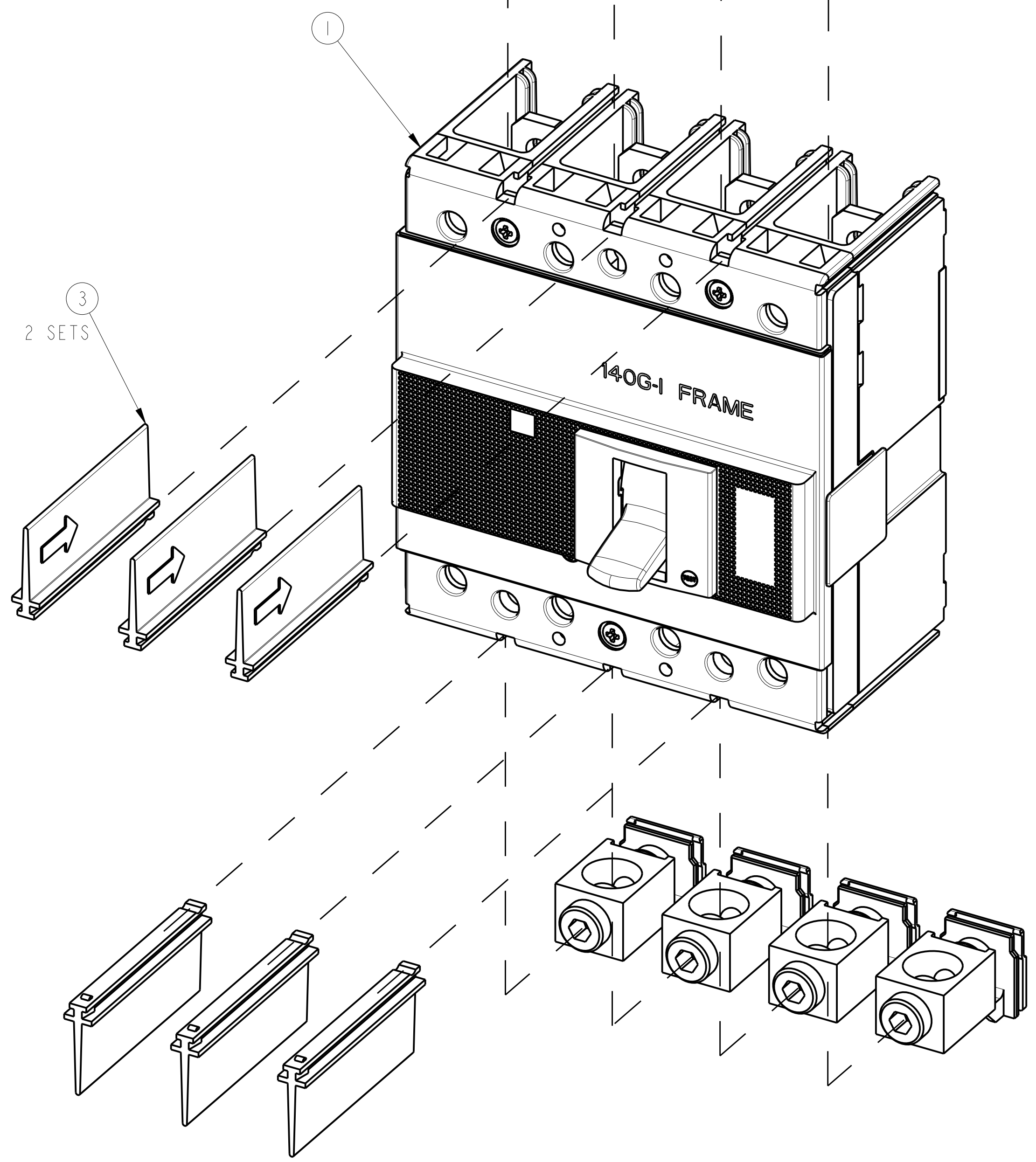
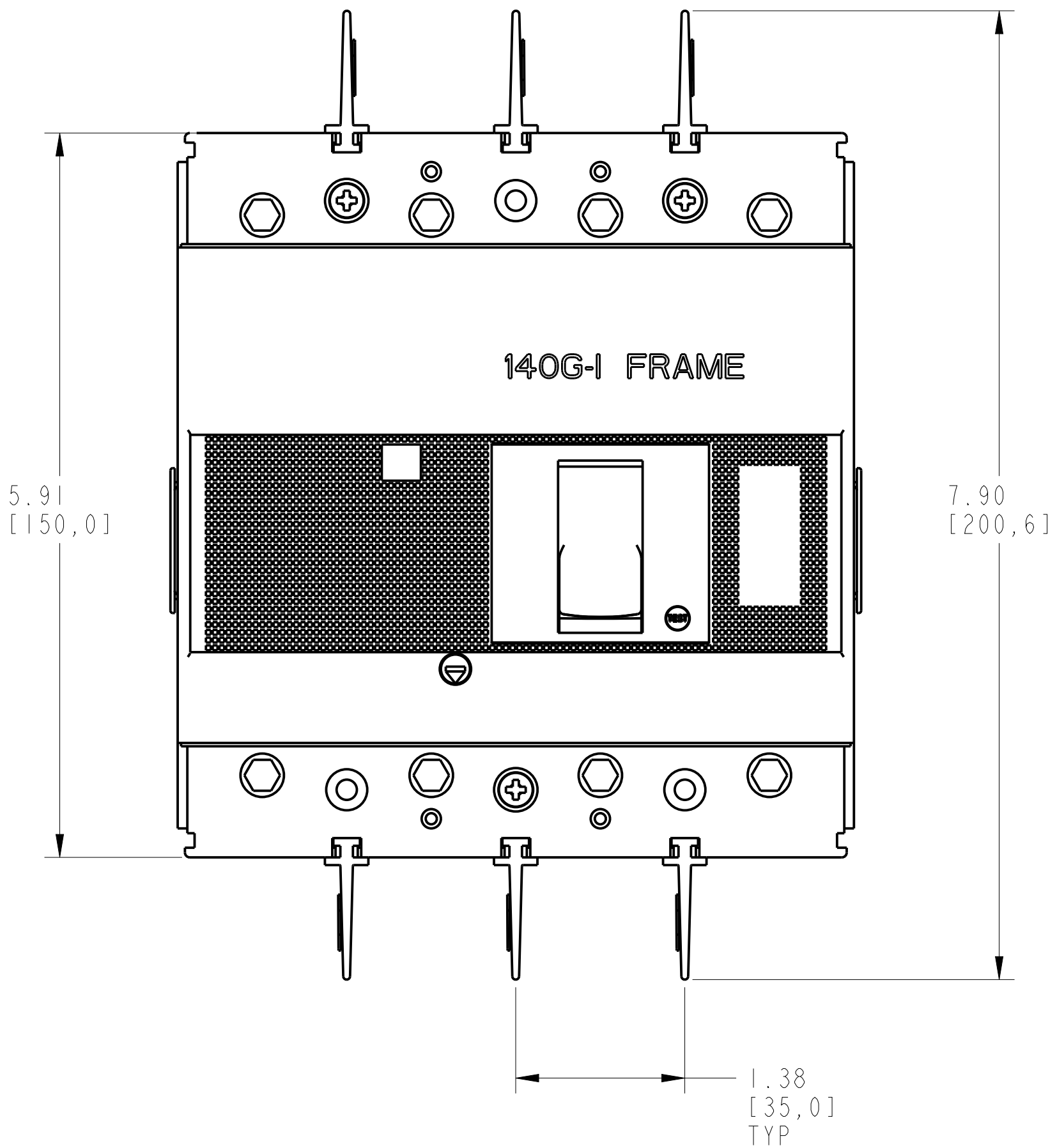
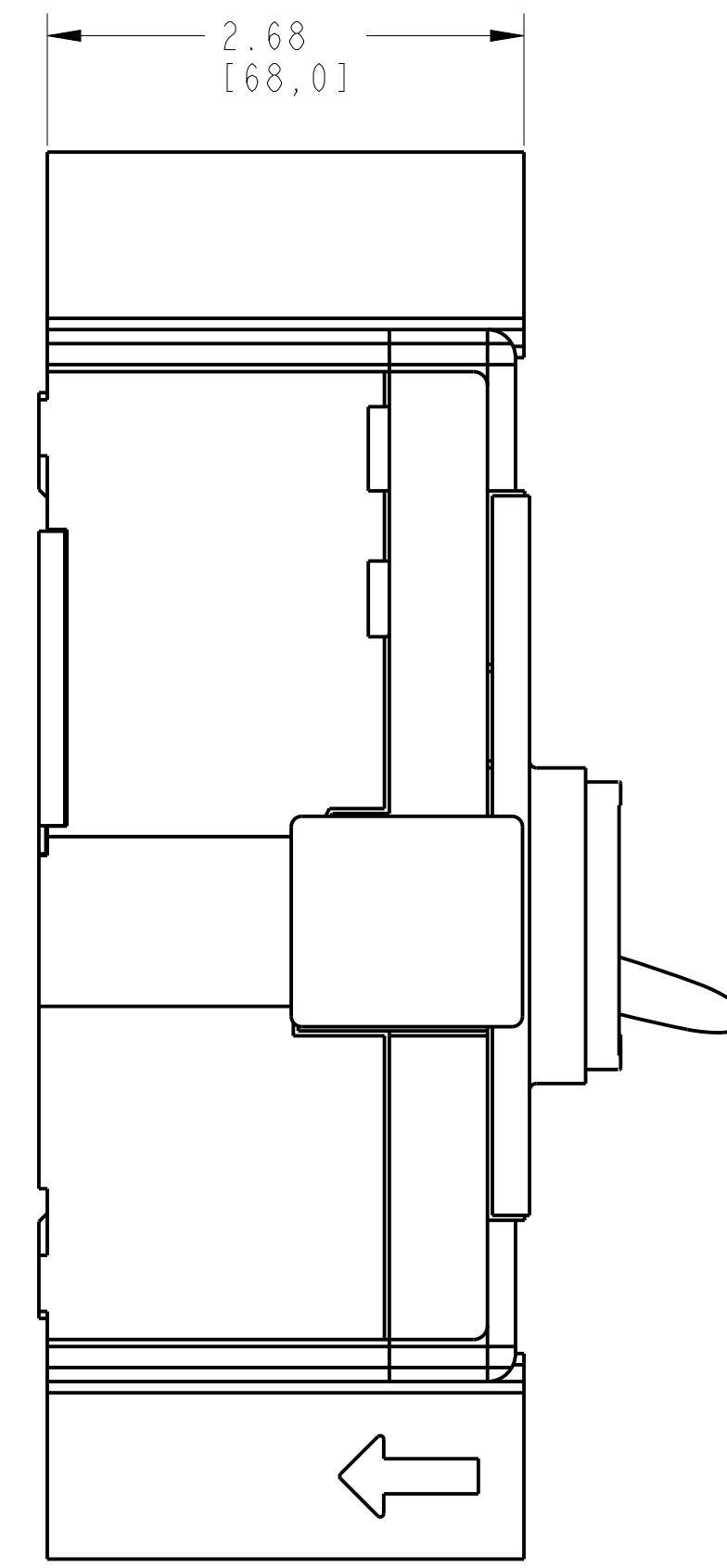
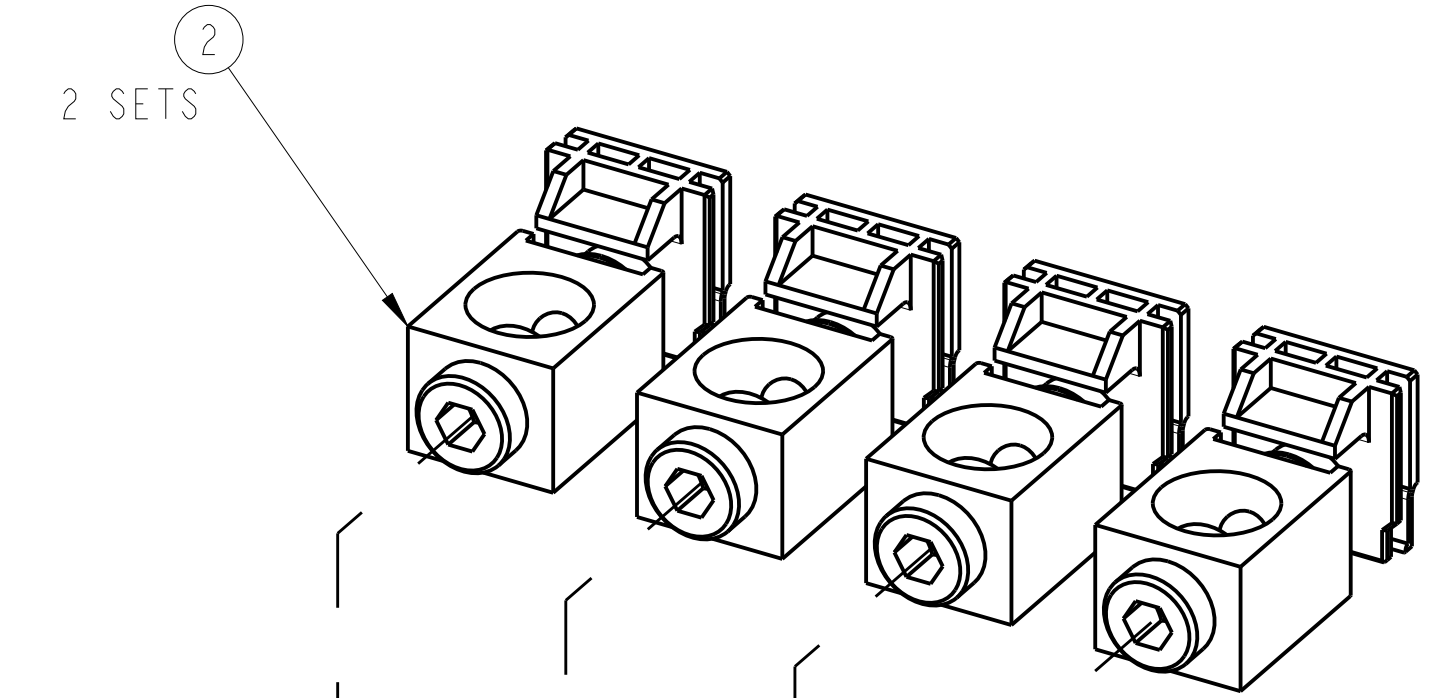
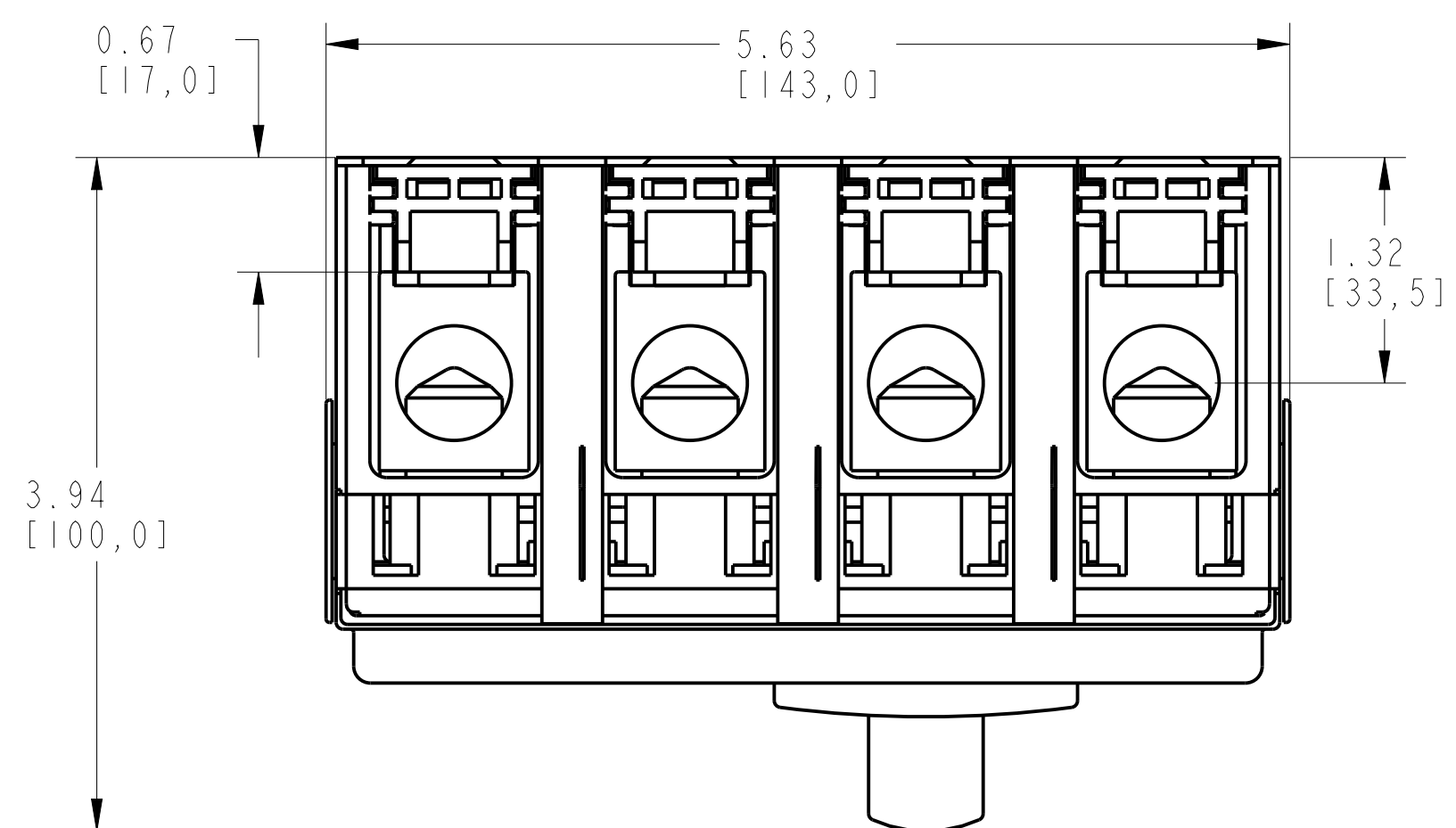


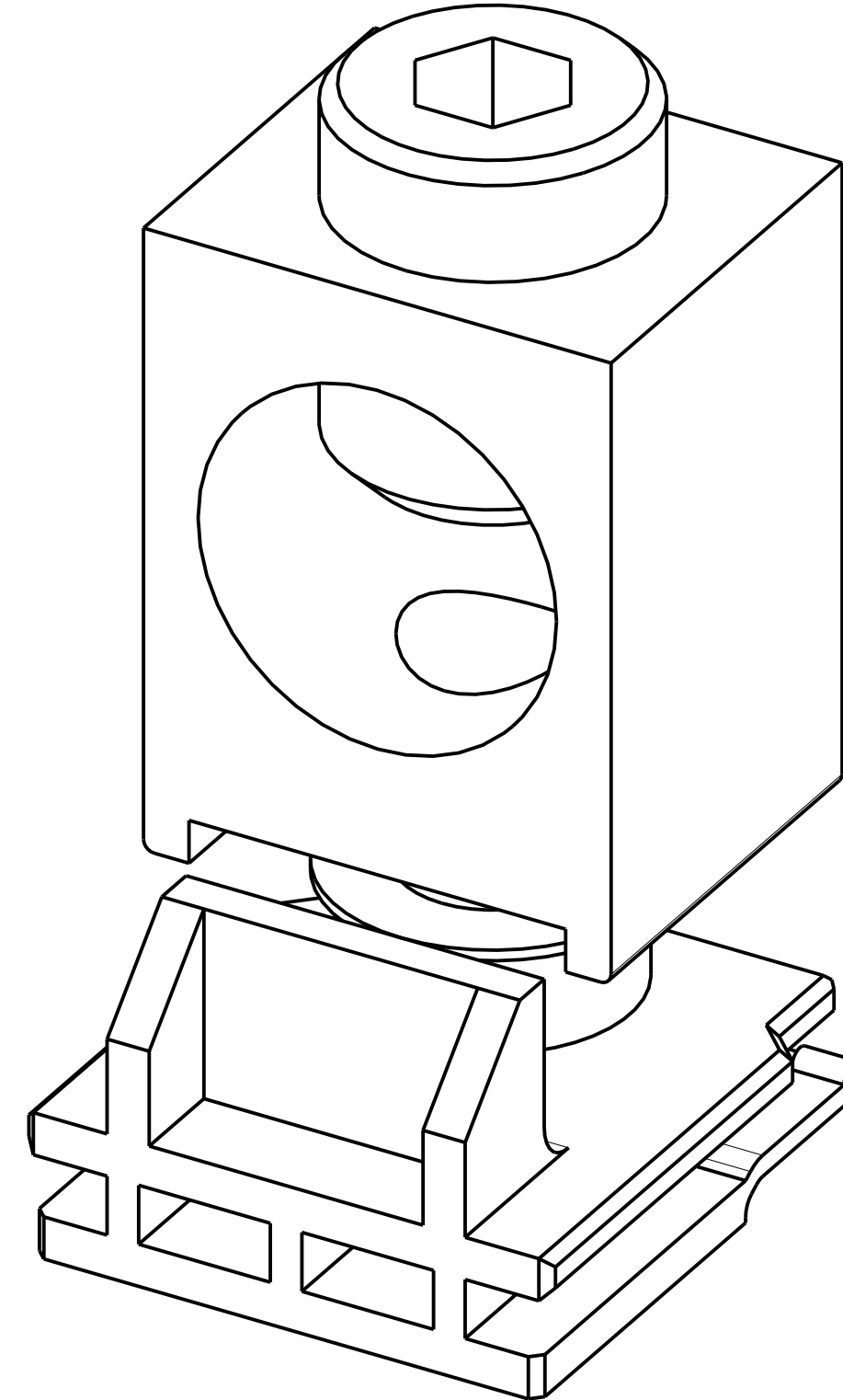
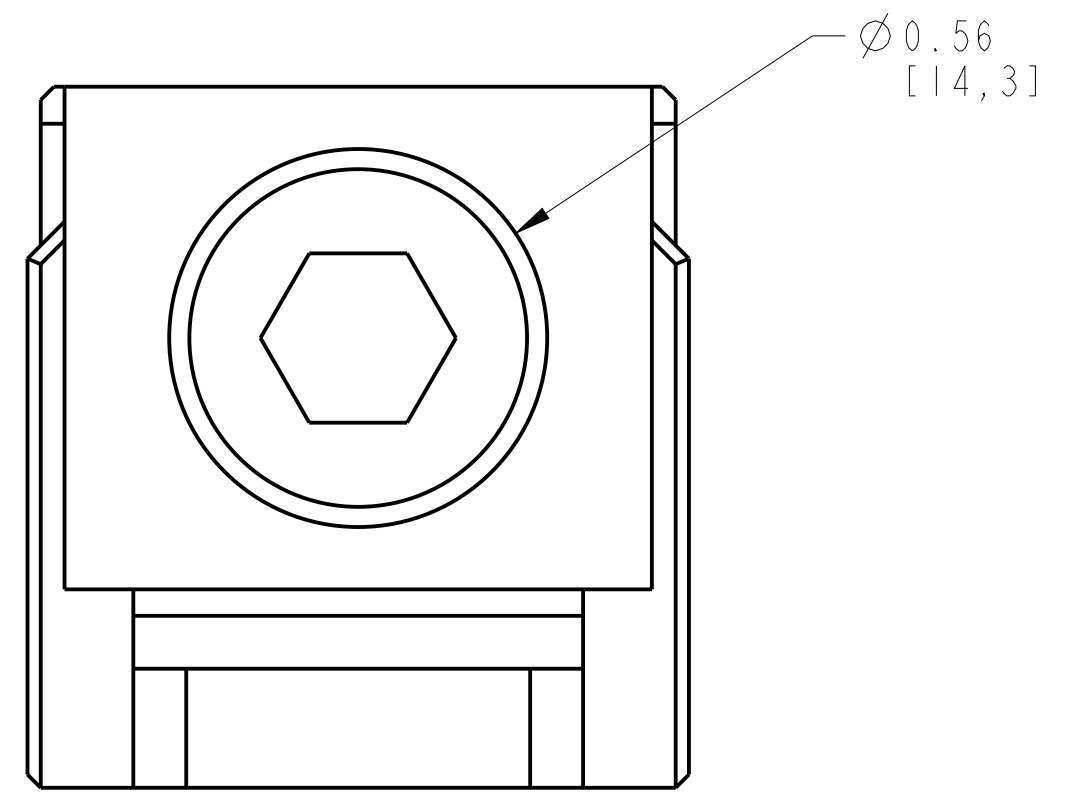
TERMINAL FOR FCCU-AL ASSEMBLY			
ITEM	DESCRIPTION	QTY	AB CAT NUMBER
1	MOLDED CASE CIRCUIT BREAKER	1	140G-I-4P CB
2	FCCU-AL TERMINAL (4 PCS)	2 SETS	140G-I-TL1A14
3	PHASE BARRIERS 25MM (3 PCS)	2 SETS	140G-G-PB4M



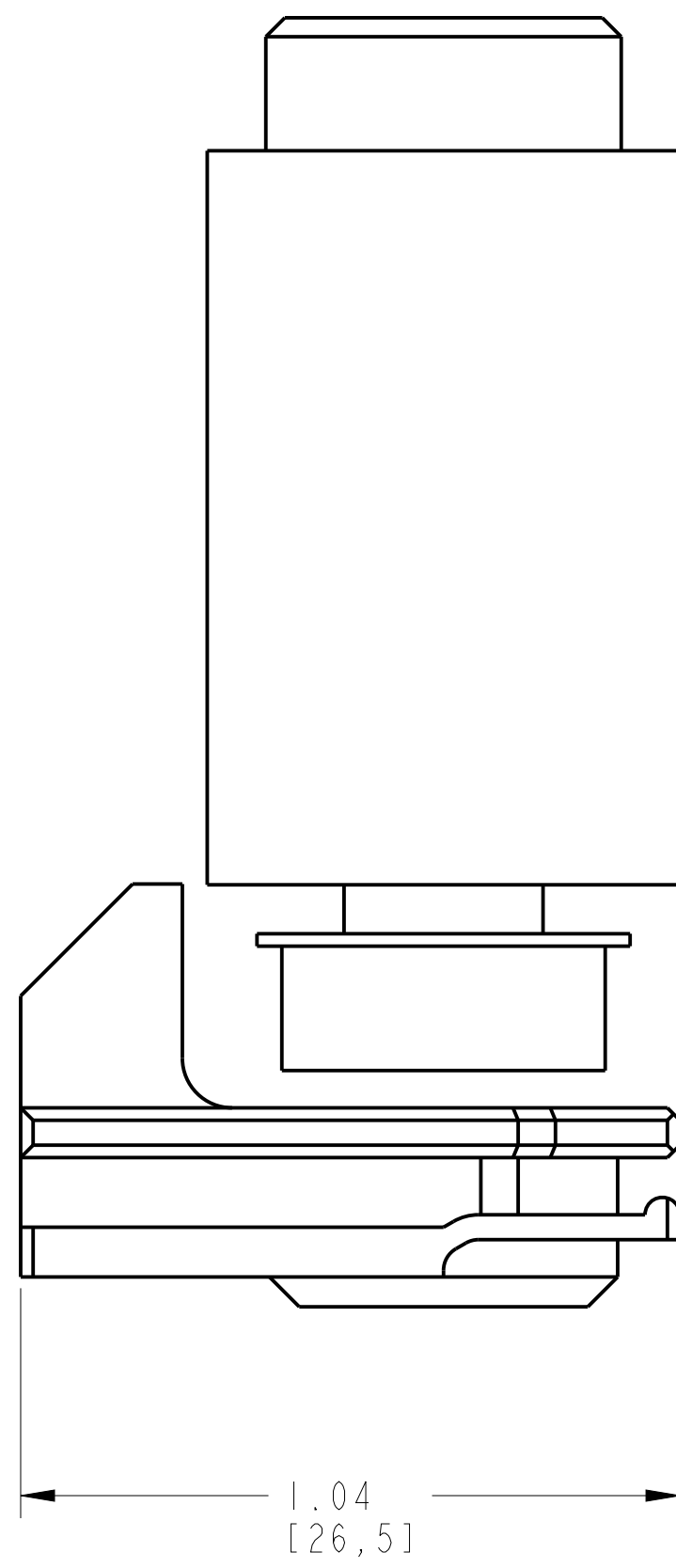
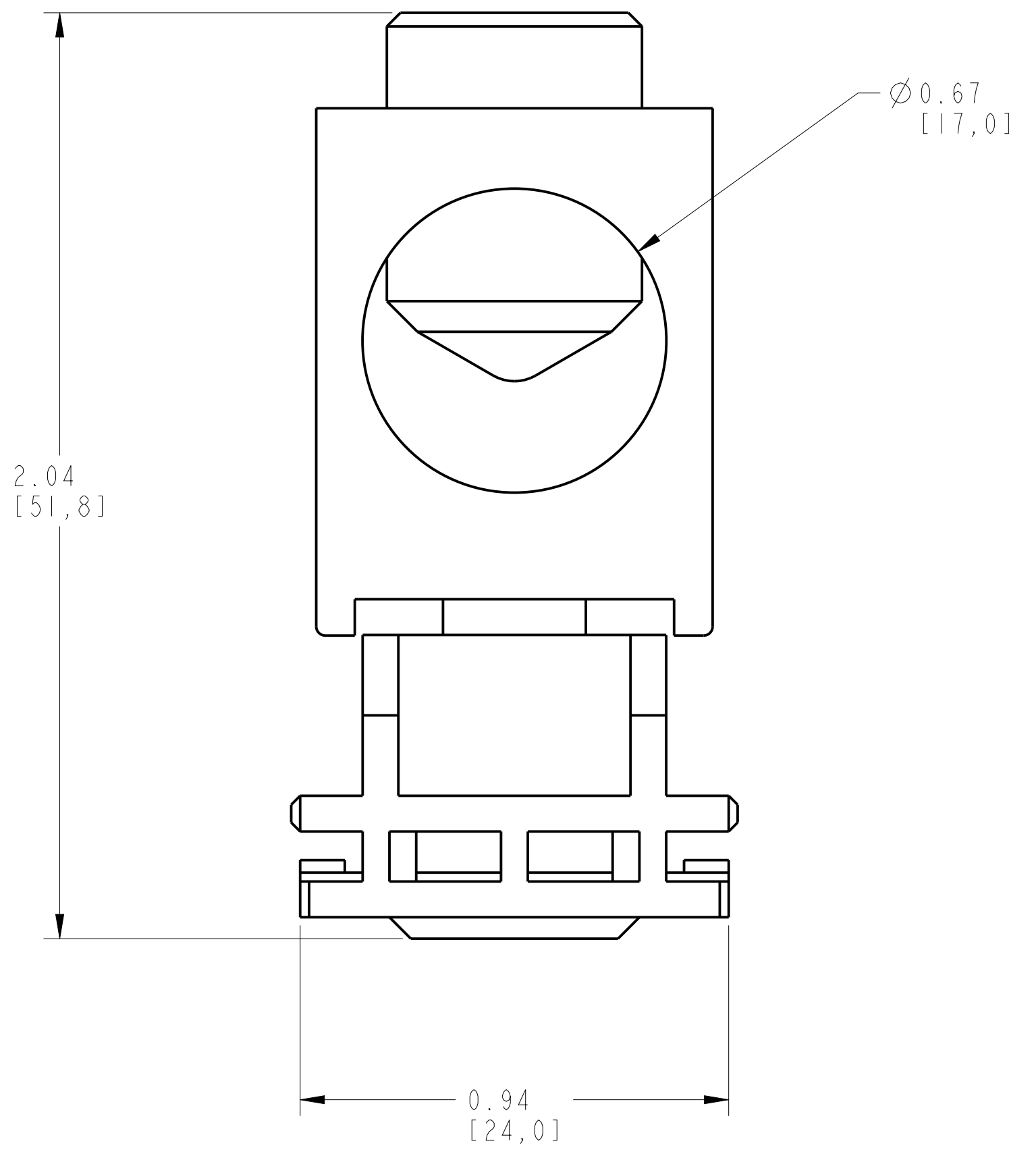
TERMINAL FOR FCCU-AL ASSEMBLED TO 140G-I-4-POLE
SCALE 1:1

1 2 3 4 5 6 7 8

A
B
C
D
E
F
G
H



ISOMETRIC VIEW



ITEM 2 : TERMINAL FOR FCCU-AL
SCALE 3.5:1

		<small>CONFIDENTIAL AND PROPRIETARY INFORMATION THIS DOCUMENT CONTAINS CONFIDENTIAL AND PROPRIETARY INFORMATION OF ROCKWELL AUTOMATION, INC. AND MAY NOT BE USED, COPIED OR DISCLOSED TO OTHERS, EXCEPT WITH THE AUTHORIZED WRITTEN PERMISSION OF ROCKWELL AUTOMATION, INC.</small>	
		Sheet 2 Of 2	
FCCU-AL ASSEMBLED TO 140G-I-4POLE CB		Size D	Ver 00
Drawn by: UMUNUSW	Date: 10-29-13	10000851934	