

1

2

3

4

5

6

7

8

TERMINAL COVER HIGH ASSEMBLY

ITEM	DESCRIPTION	QTY	AB CAT NUMBER
1	MOLDED CASE CIRCUIT BREAKER	1	140G-J-3P CB
2	TERMINAL COVER HIGH	2	140G-J-TC3H

A

B

C

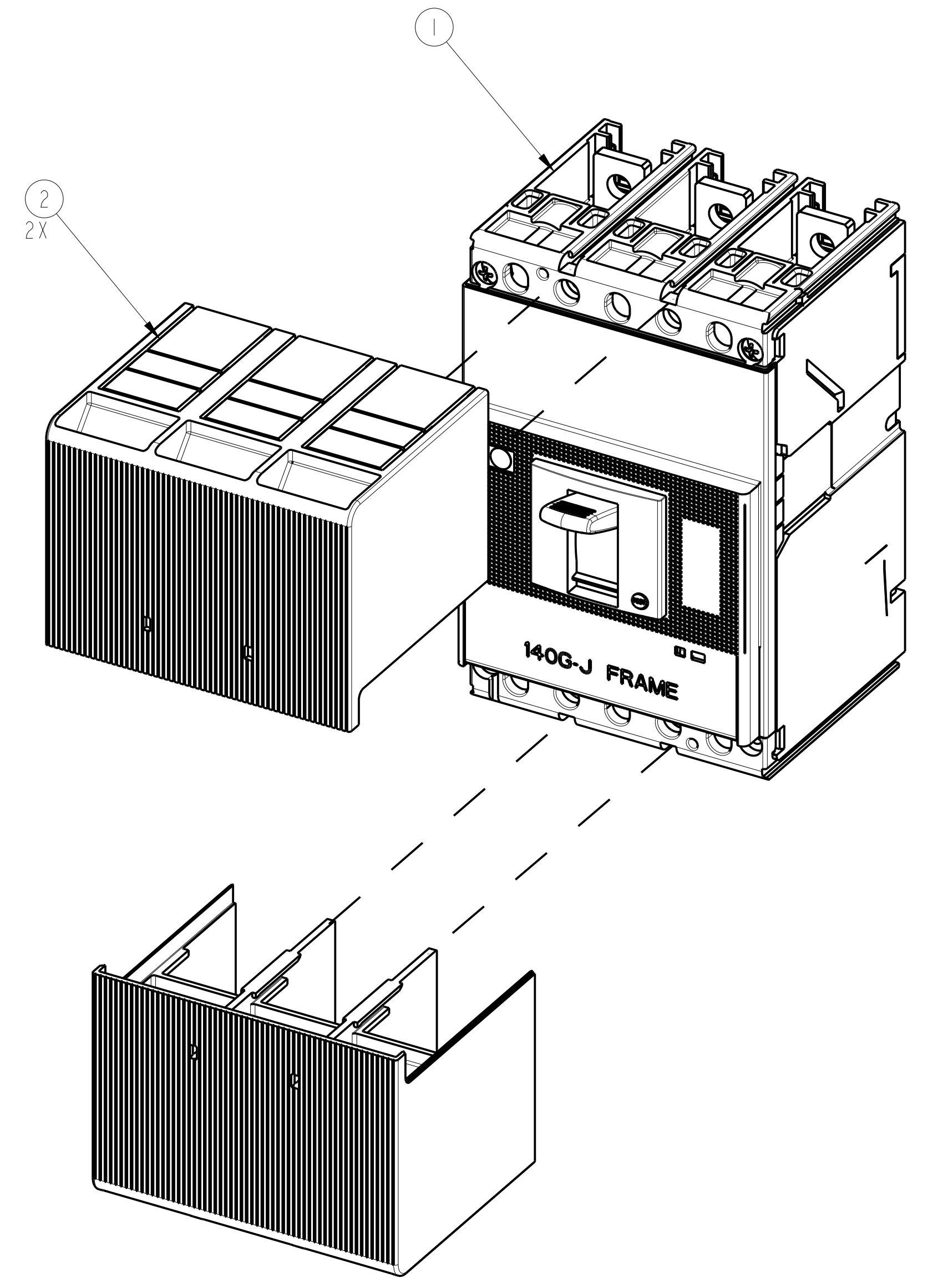
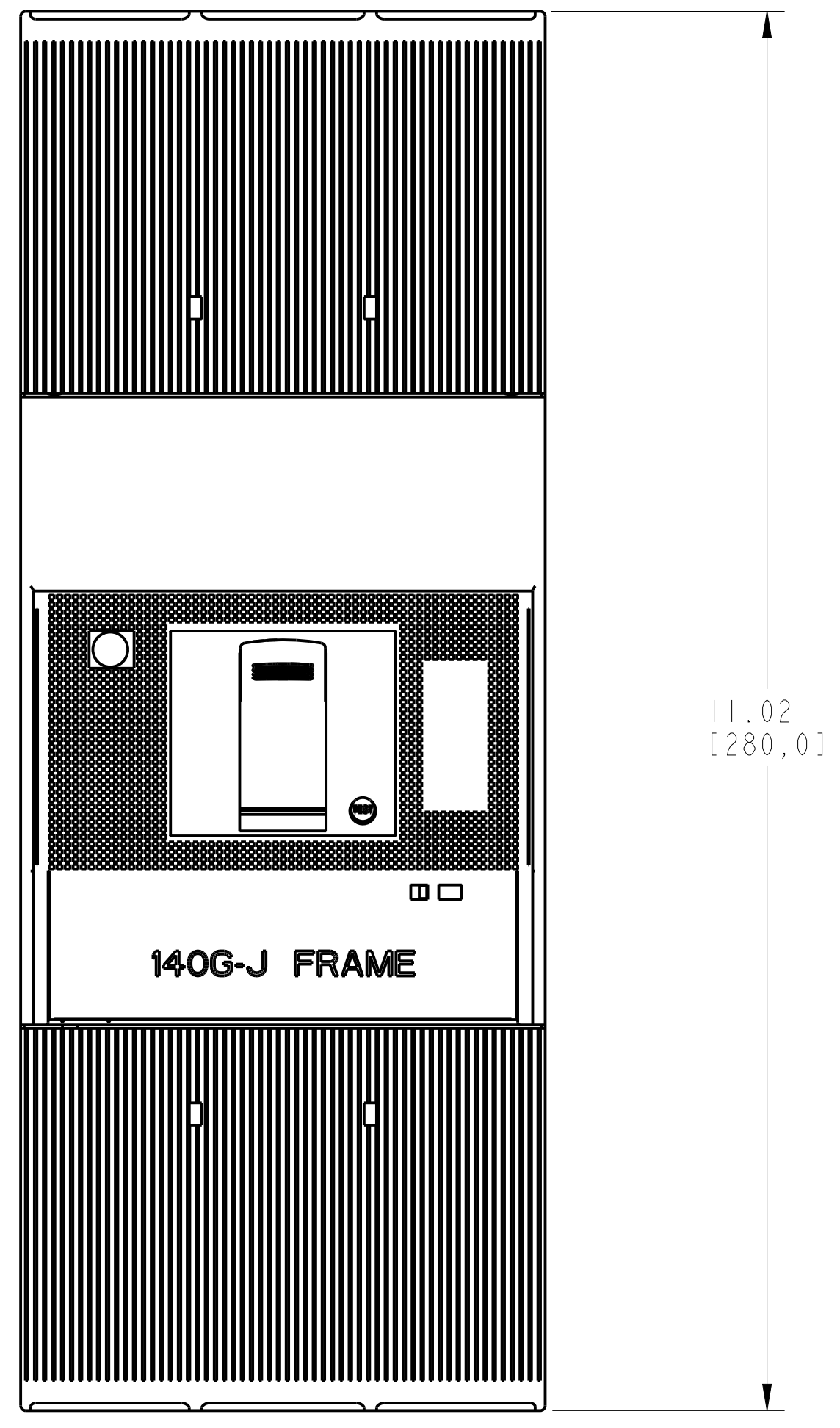
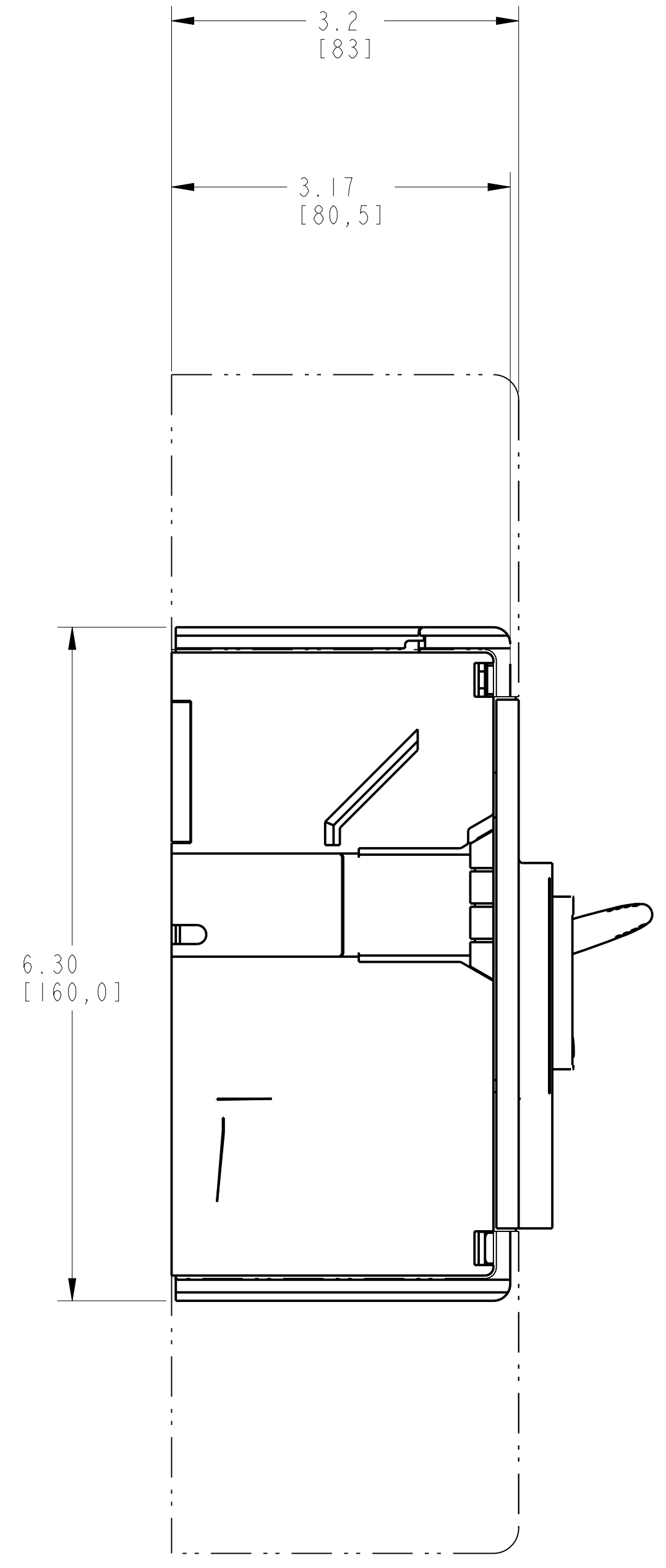
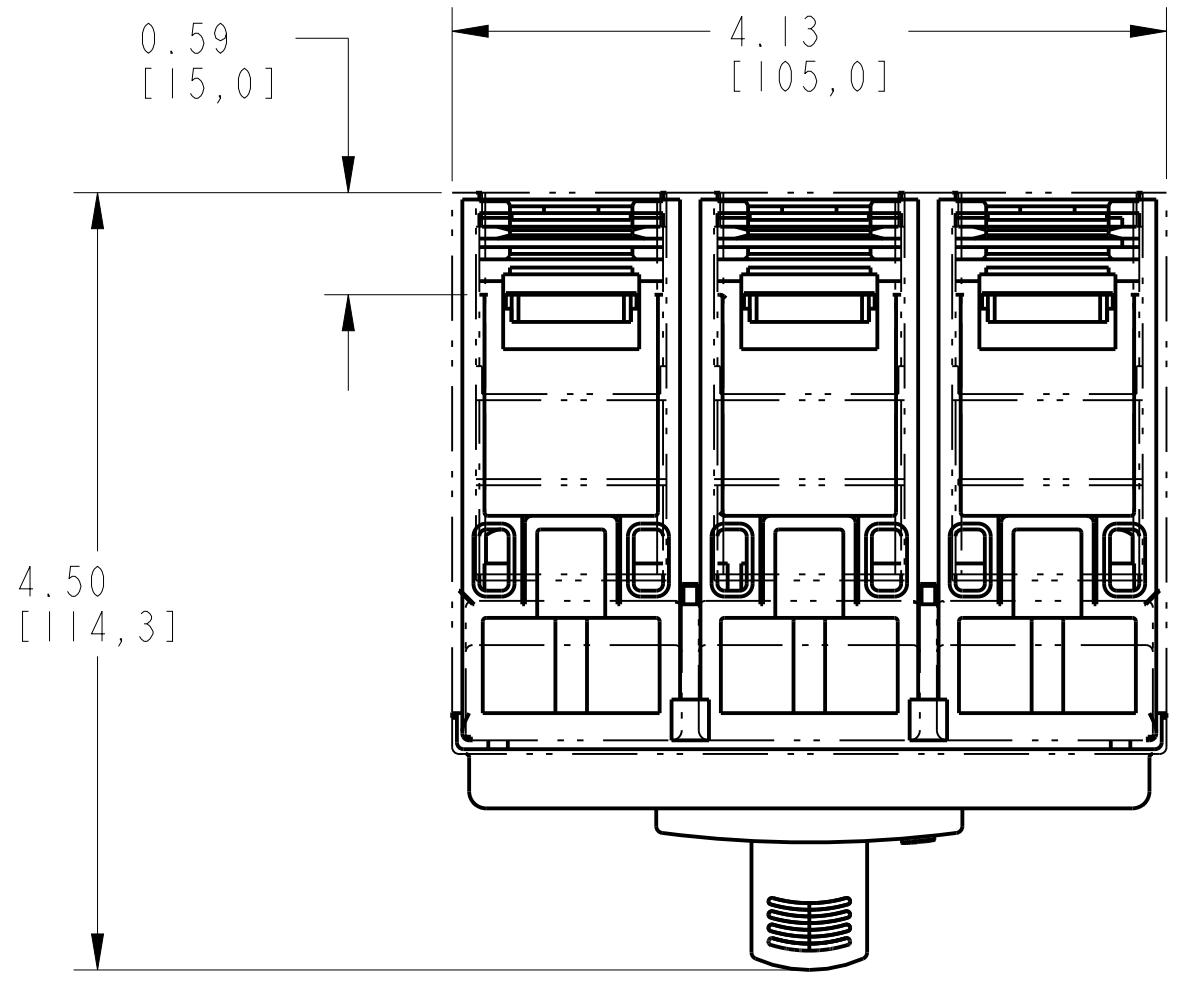
D

E

F

G

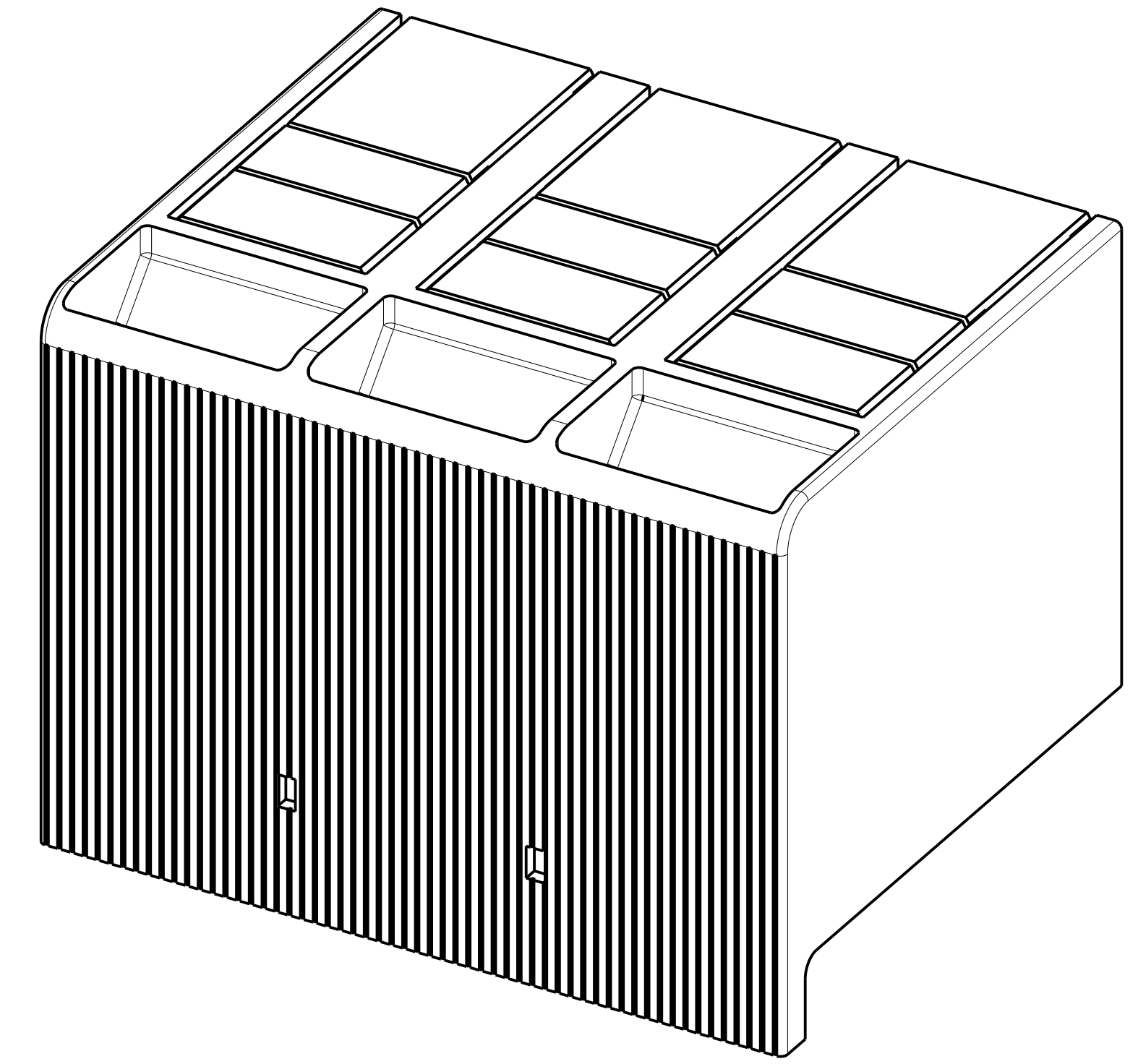
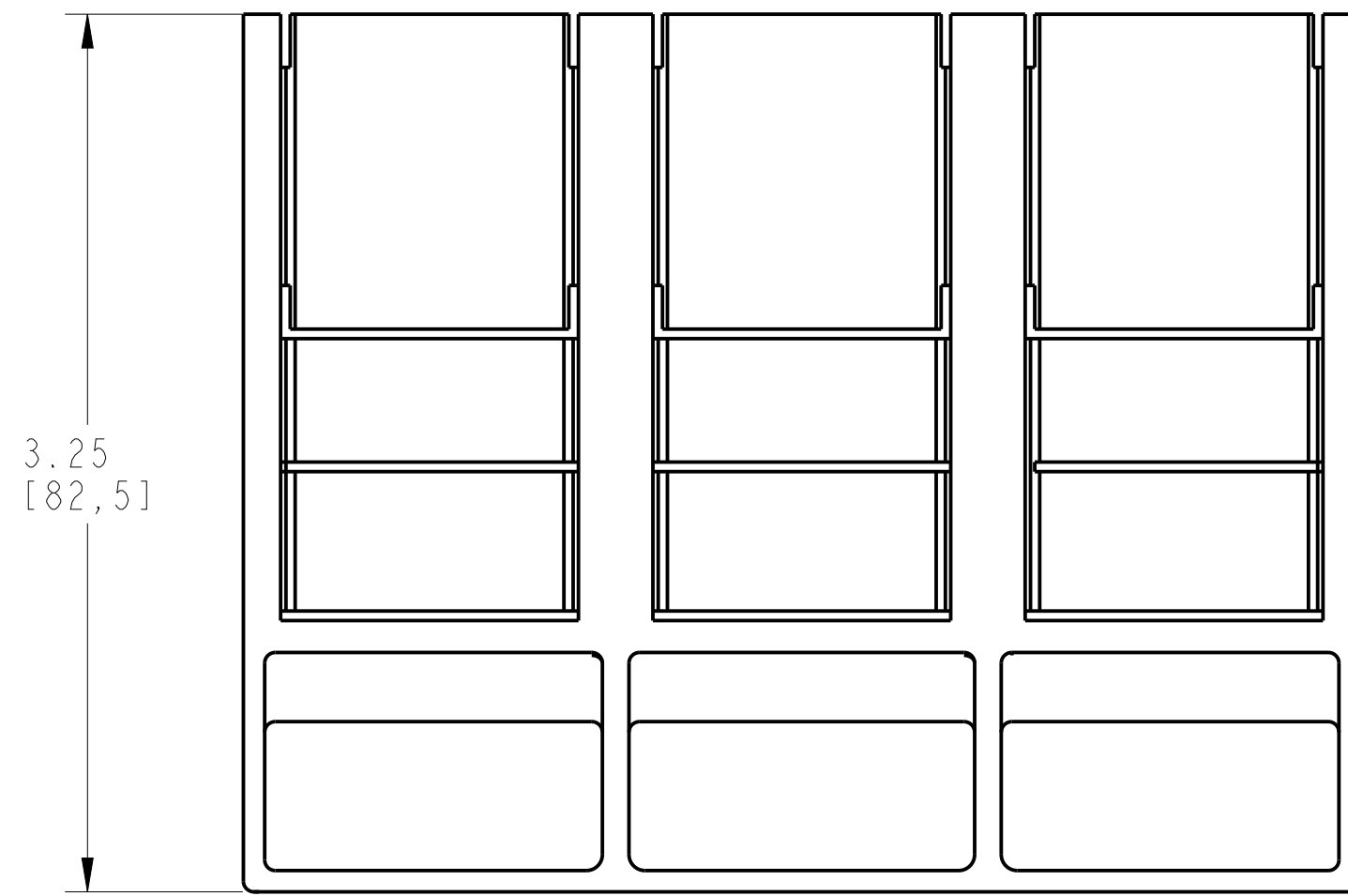
H



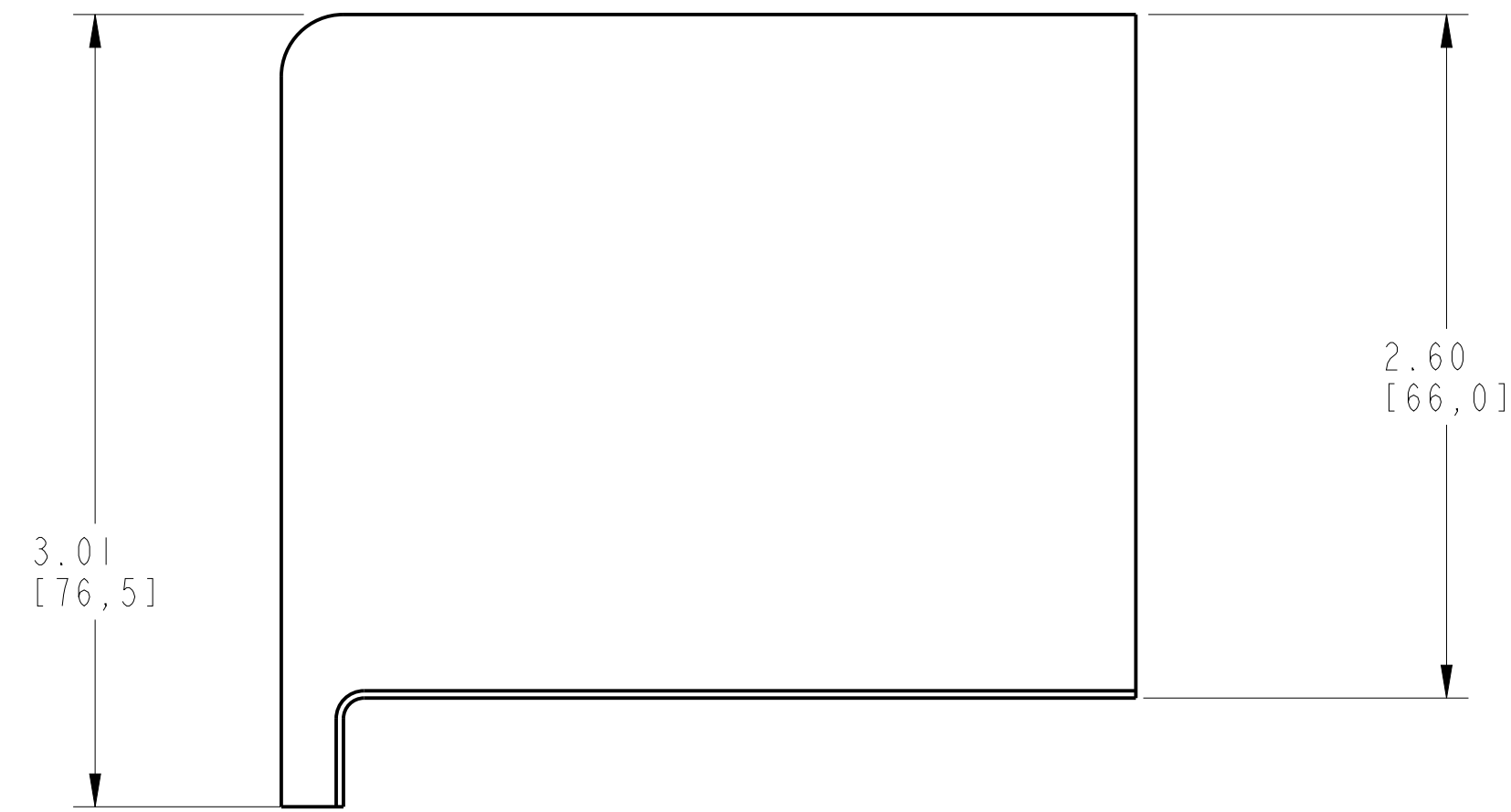
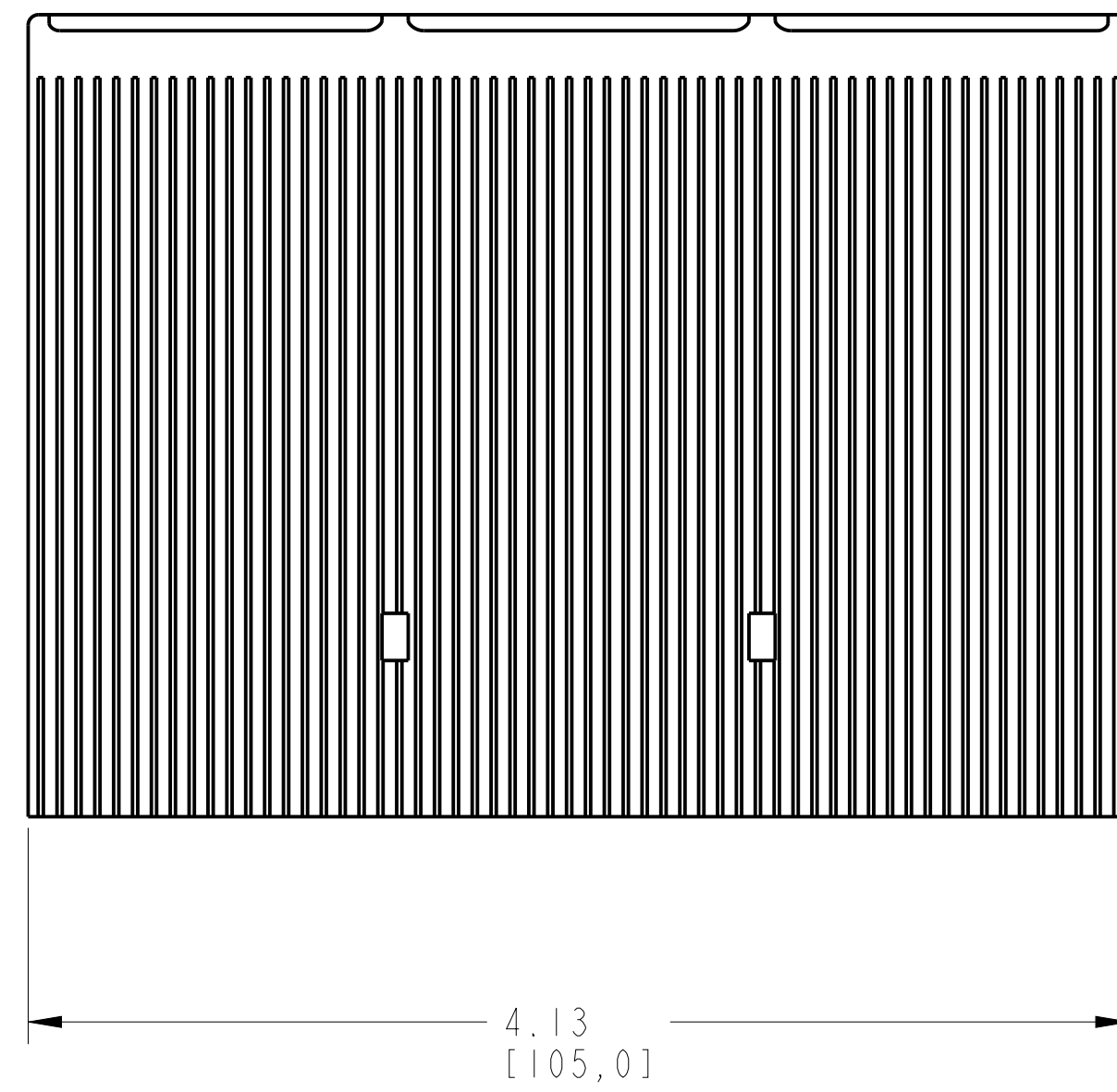
TERMINAL COVER HIGH ASSEMBLED TO 140G-J-3-POLE

SCALE 0.9:1

		<small>CONFIDENTIAL AND PROPRIETARY INFORMATION. THIS DOCUMENT CONTAINS CONFIDENTIAL AND PROPRIETARY INFORMATION OF ROCKWELL AUTOMATION, INC. AND MAY NOT BE USED, COPIED OR DISCLOSED TO OTHERS, EXCEPT WITH THE AUTHORIZED WRITTEN PERMISSION OF ROCKWELL AUTOMATION, INC.</small>	
		Sheet 1 Of 2	
TC-HIGH ASSEMBLED TO 140G-J-3P CB		Size D	Ver 00
Drawn by: UMUNUSW	Date: OCT-09-2013	10000839570	



ISOMETRIC VIEW



ITEM 2 : TERMINAL COVER HIGH

SCALE 1.5:1

		<small>CONFIDENTIAL AND PROPRIETARY INFORMATION. THIS DOCUMENT CONTAINS CONFIDENTIAL AND PROPRIETARY INFORMATION OF ROCKWELL AUTOMATION, INC. AND MAY NOT BE USED, COPIED OR DISCLOSED TO OTHERS, EXCEPT WITH THE AUTHORIZED WRITTEN PERMISSION OF ROCKWELL AUTOMATION, INC.</small>	
		Sheet 2 Of 2	
TC-HIGH ASSEMBLED TO 140G-J-3P CB		Size D	Ver 00
Drawn by: UMUNUSW	Date: OCT-09-2013	10000839570	