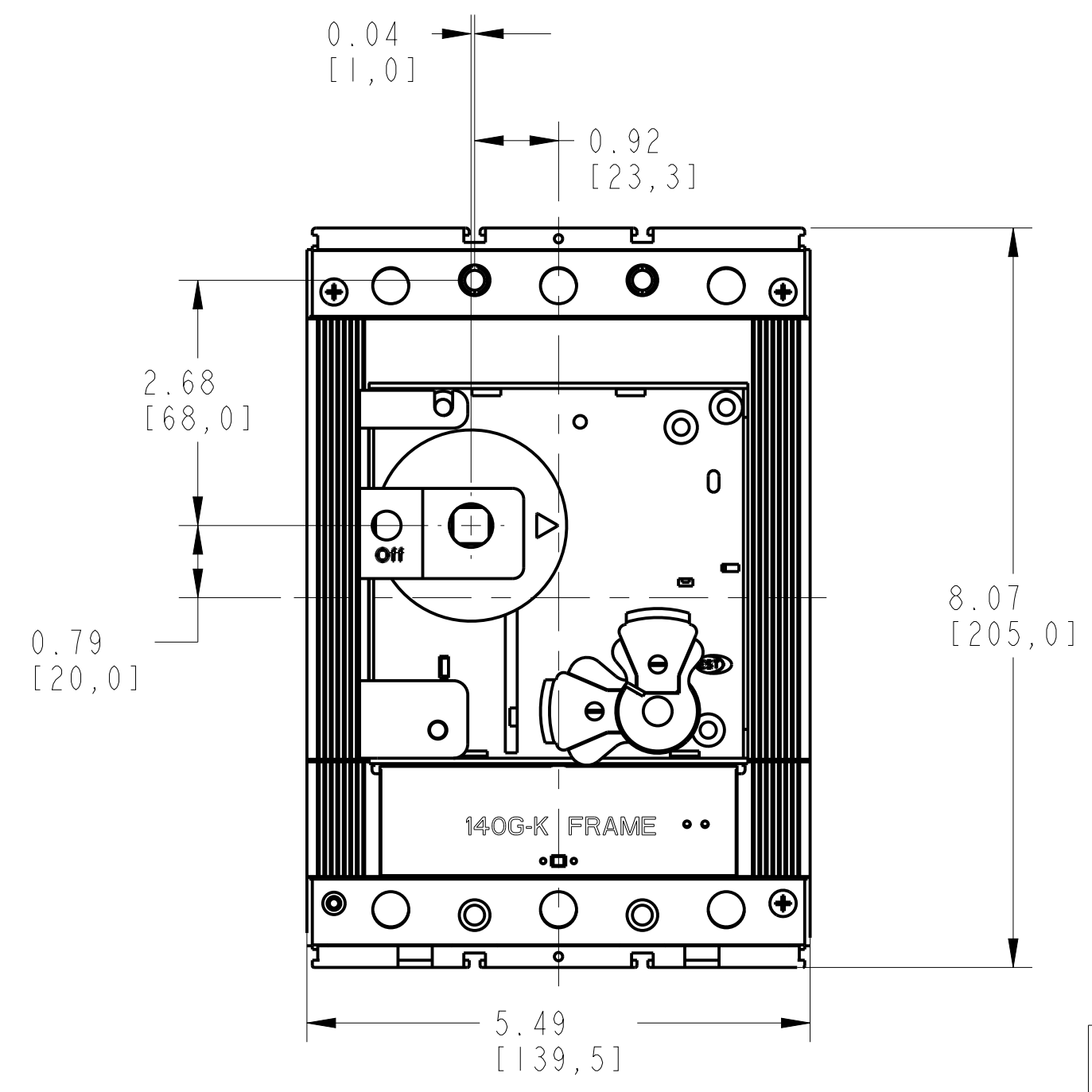
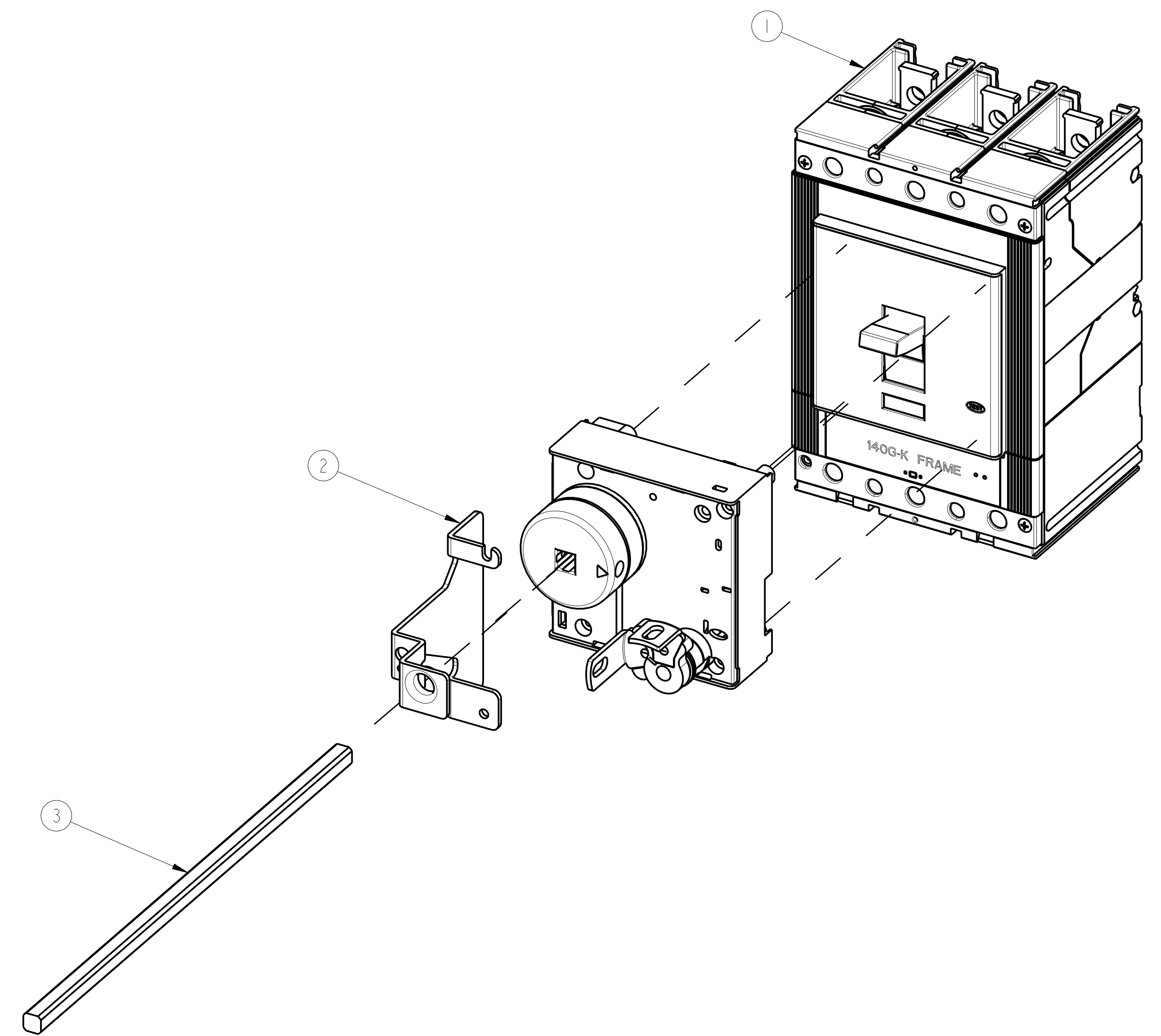
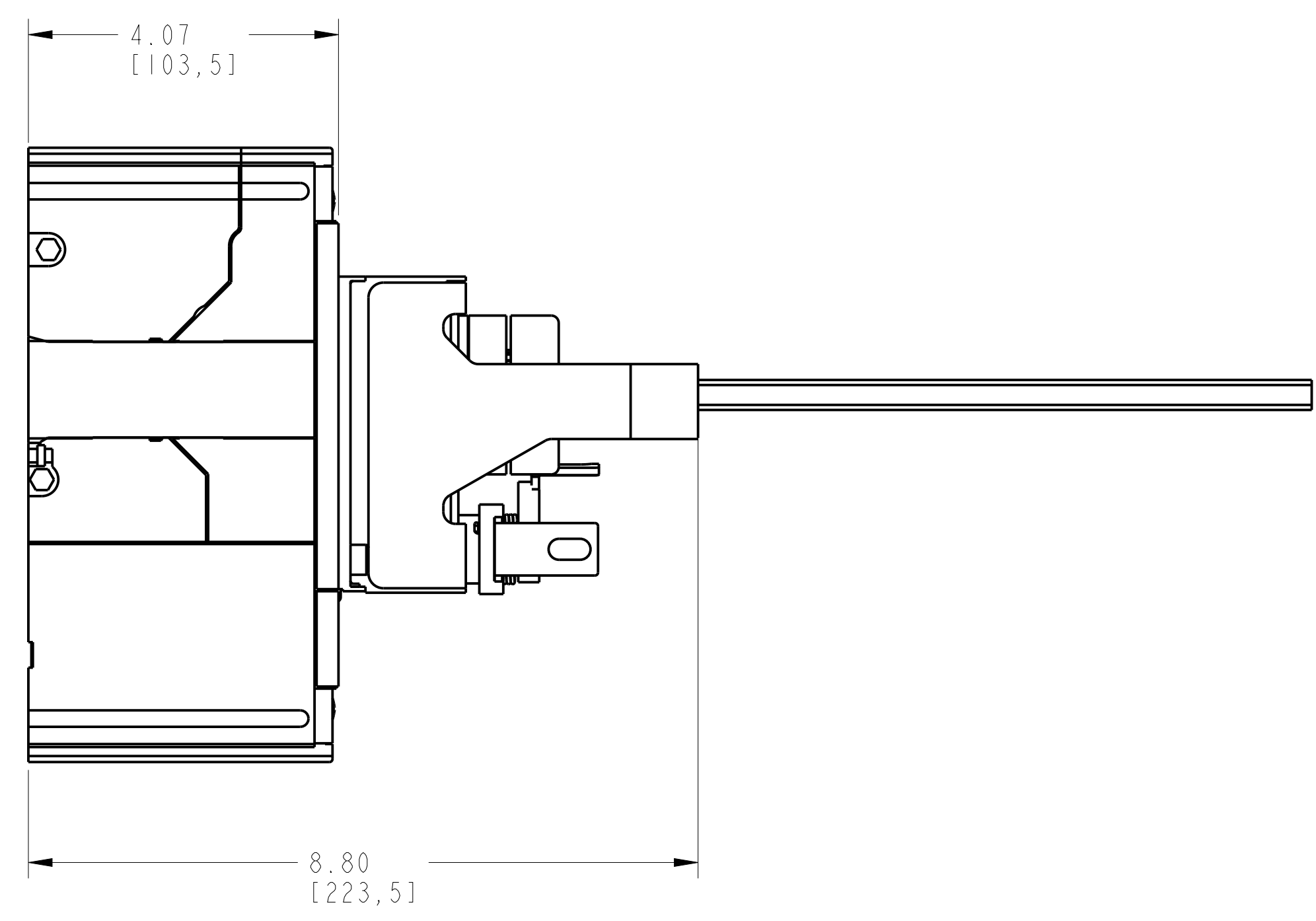
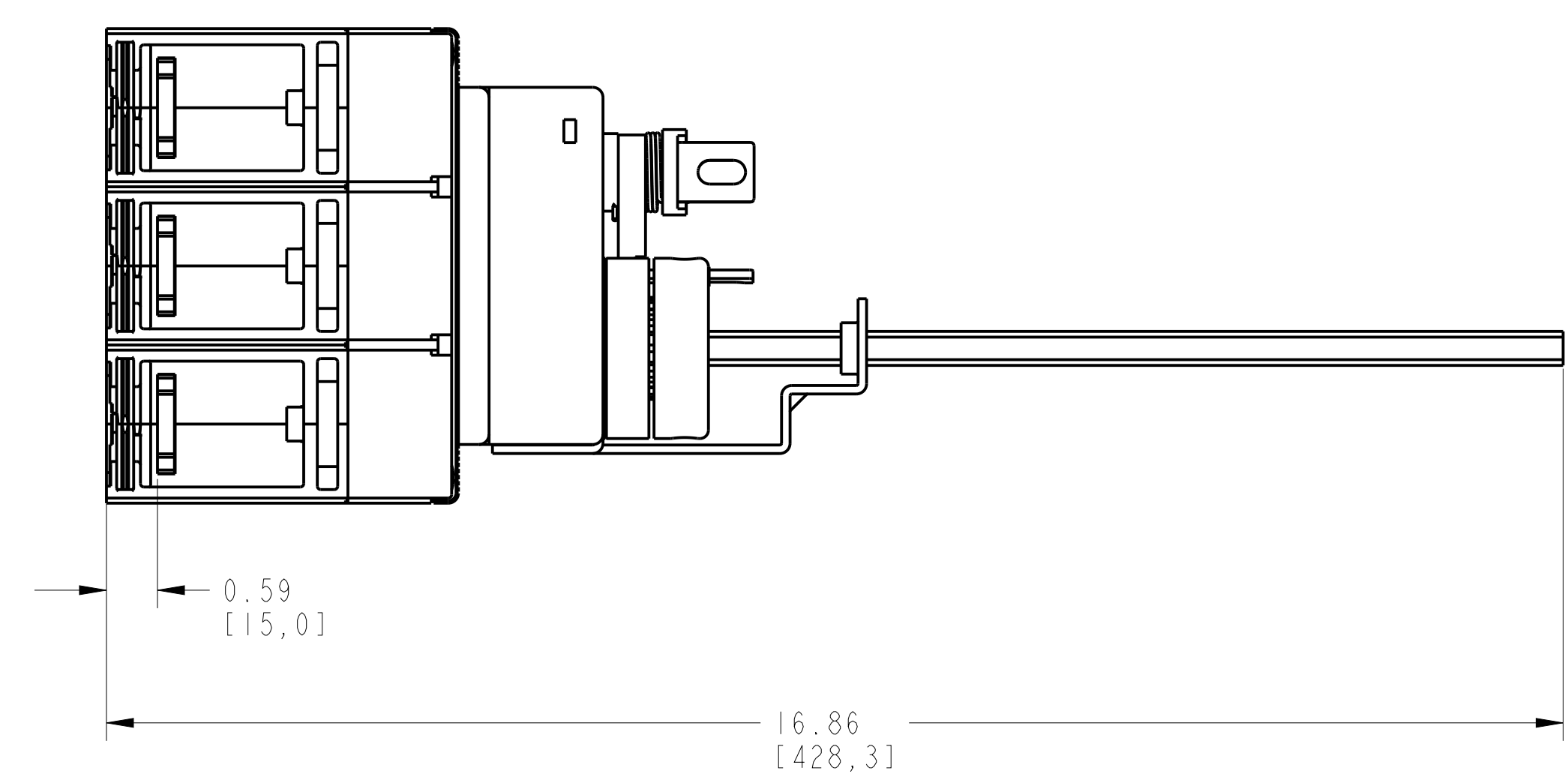


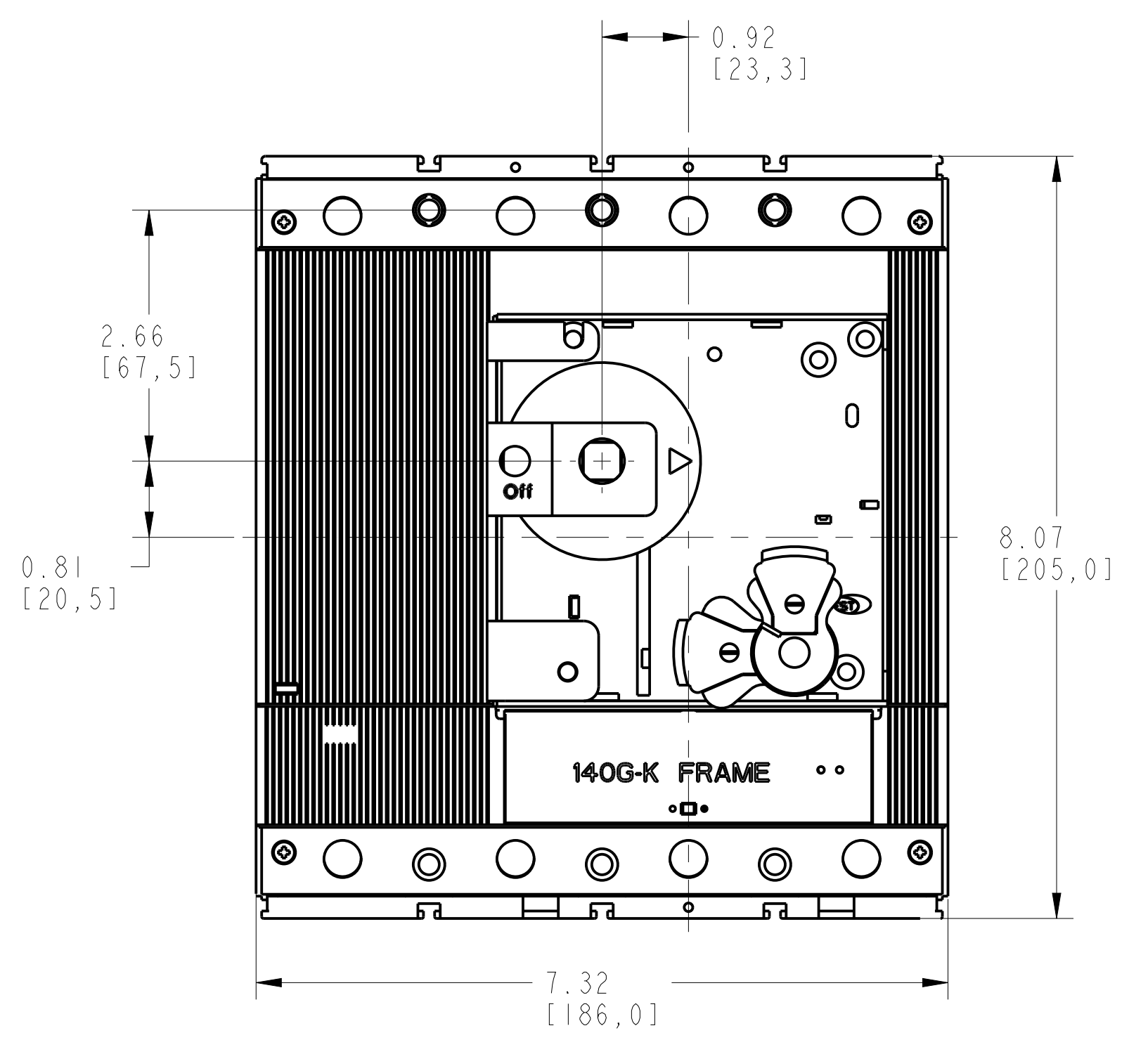
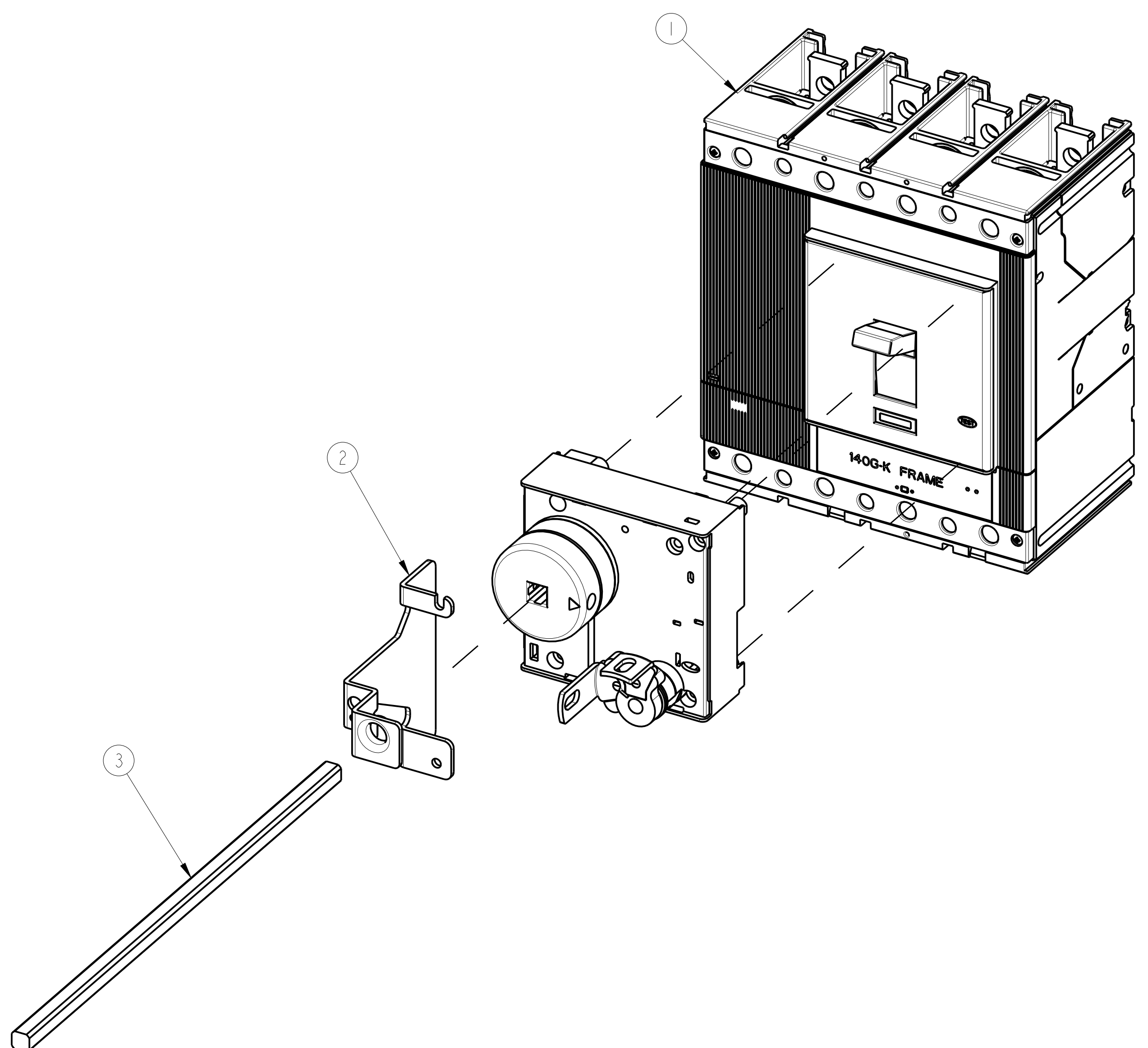
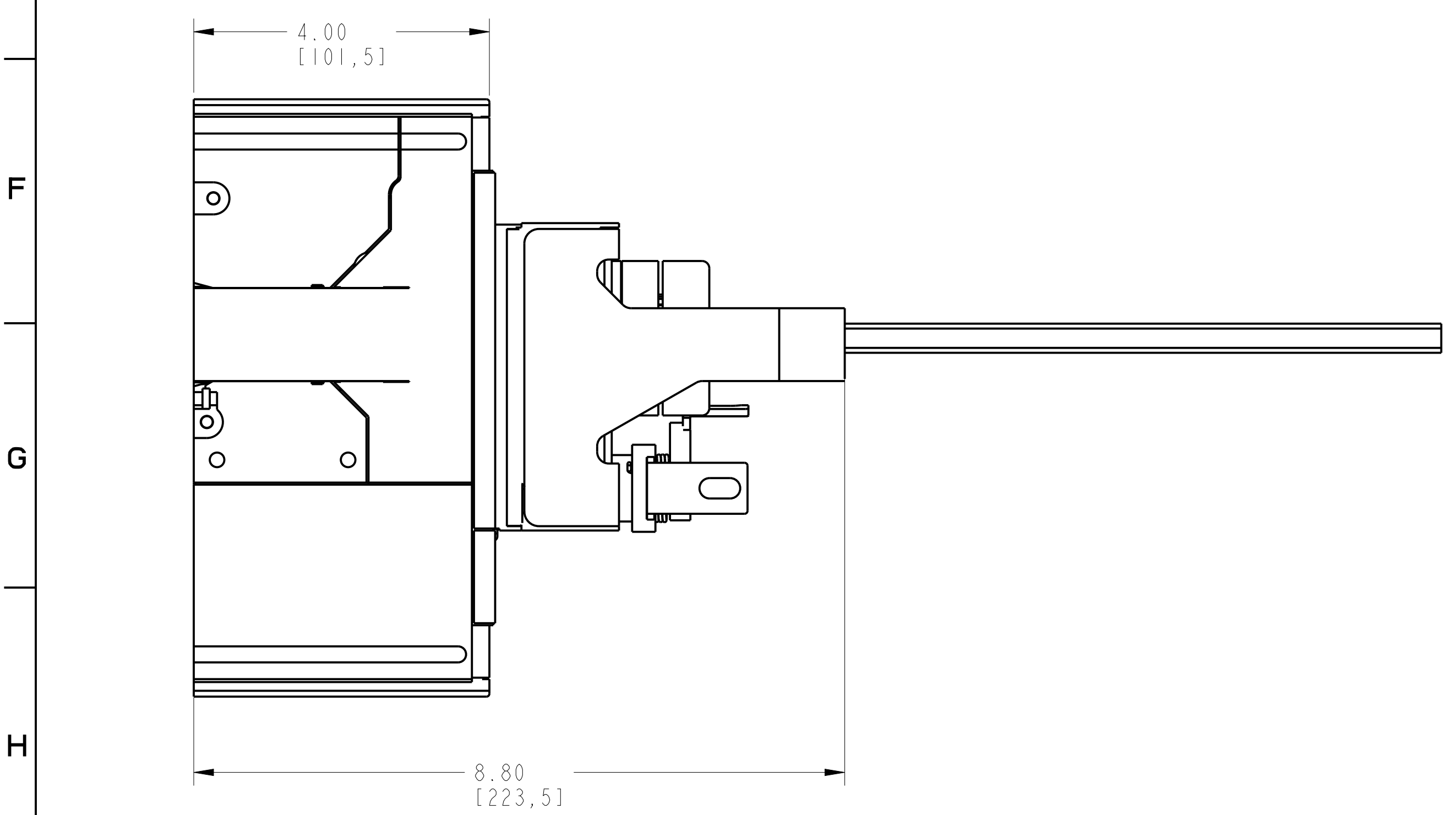
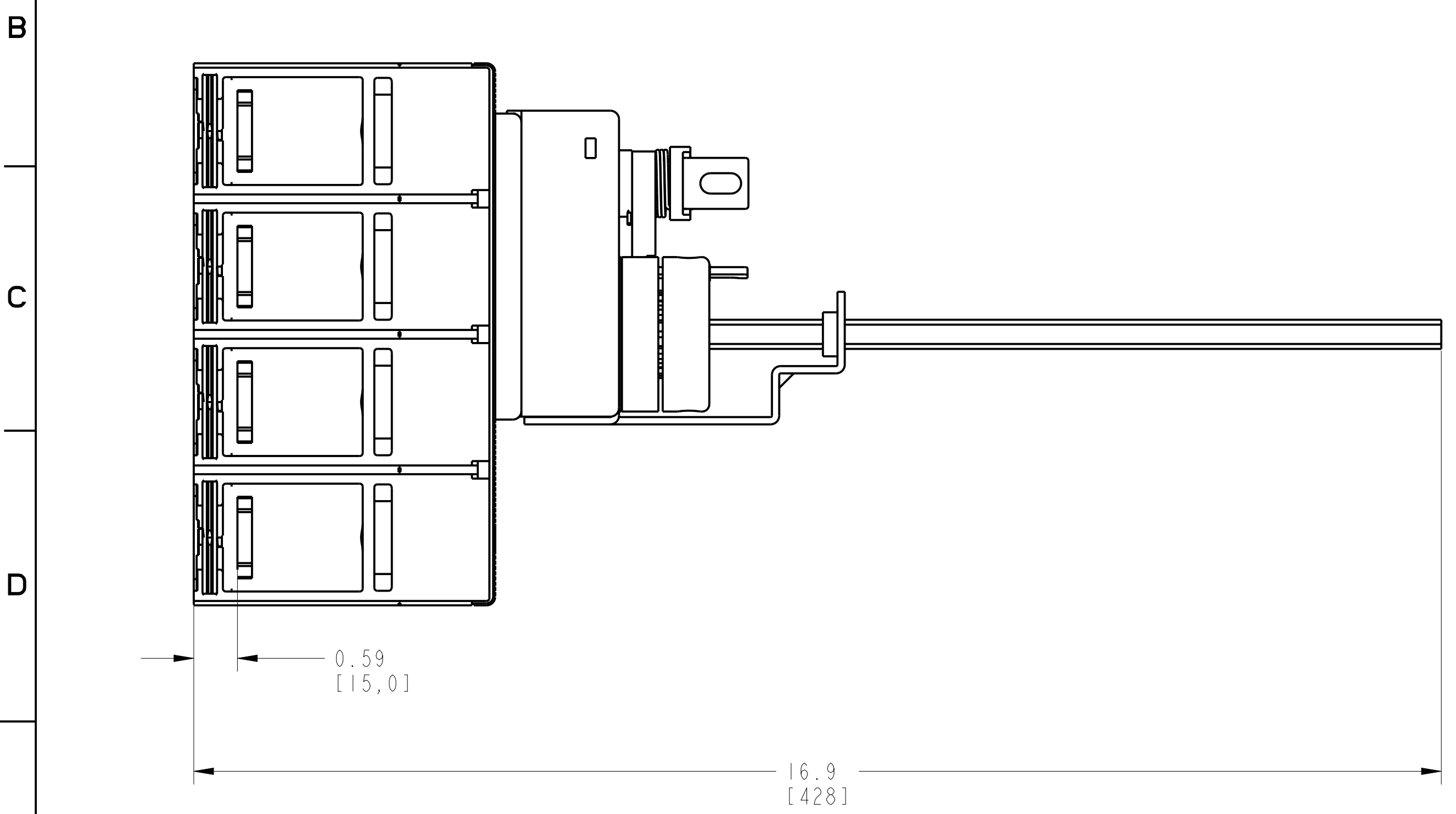
| RHE SUPPORT ASSEMBLY | | | |
|----------------------|-----------------------------|-----|---------------|
| ITEM | DESCRIPTION | QTY | AB CAT NUMBER |
| 1 | MOLDED CASE CIRCUIT BREAKER | 1 | 140G-K-3P CB |
| 2 | RHE SUPPORT | 1 | 140G-K-OSB |
| 3 | OPERATING SHAFT | 1 | - |



RHE SUPPORT ASSEMBLED TO 140G-K-3-POLE
SCALE 0.60:1

| | | | |
|--|-----------------|--|----------------------------------|
| | | <small>CONFIDENTIAL AND PROPRIETARY INFORMATION. THIS DOCUMENT CONTAINS CONFIDENTIAL AND PROPRIETARY INFORMATION OF ROCKWELL AUTOMATION, INC. AND MAY NOT BE USED, COPIED OR DISCLOSED TO OTHERS, EXCEPT WITH THE AUTHORIZED WRITTEN PERMISSION OF ROCKWELL AUTOMATION, INC.</small> | |
| | | Sheet 1 Of 3 | |
| RHE SPRT ASSEMBLED TO 140G-K-3P & 140G-K-4P CB | | Size D | Part Number 1000882367 |
| Drawn by: UMUNUSW | Date: 26-Nov-13 | Ver 00 | |

| RHE SUPPORT ASSEMBLY | | | |
|----------------------|-----------------------------|-----|---------------|
| ITEM | DESCRIPTION | QTY | AB CAT NUMBER |
| 1 | MOLDED CASE CIRCUIT BREAKER | 1 | 140G-K-4P CB |
| 2 | RHE SUPPORT | 1 | 140G-K-OSB |
| 3 | OPERATING SHAFT | 1 | - |

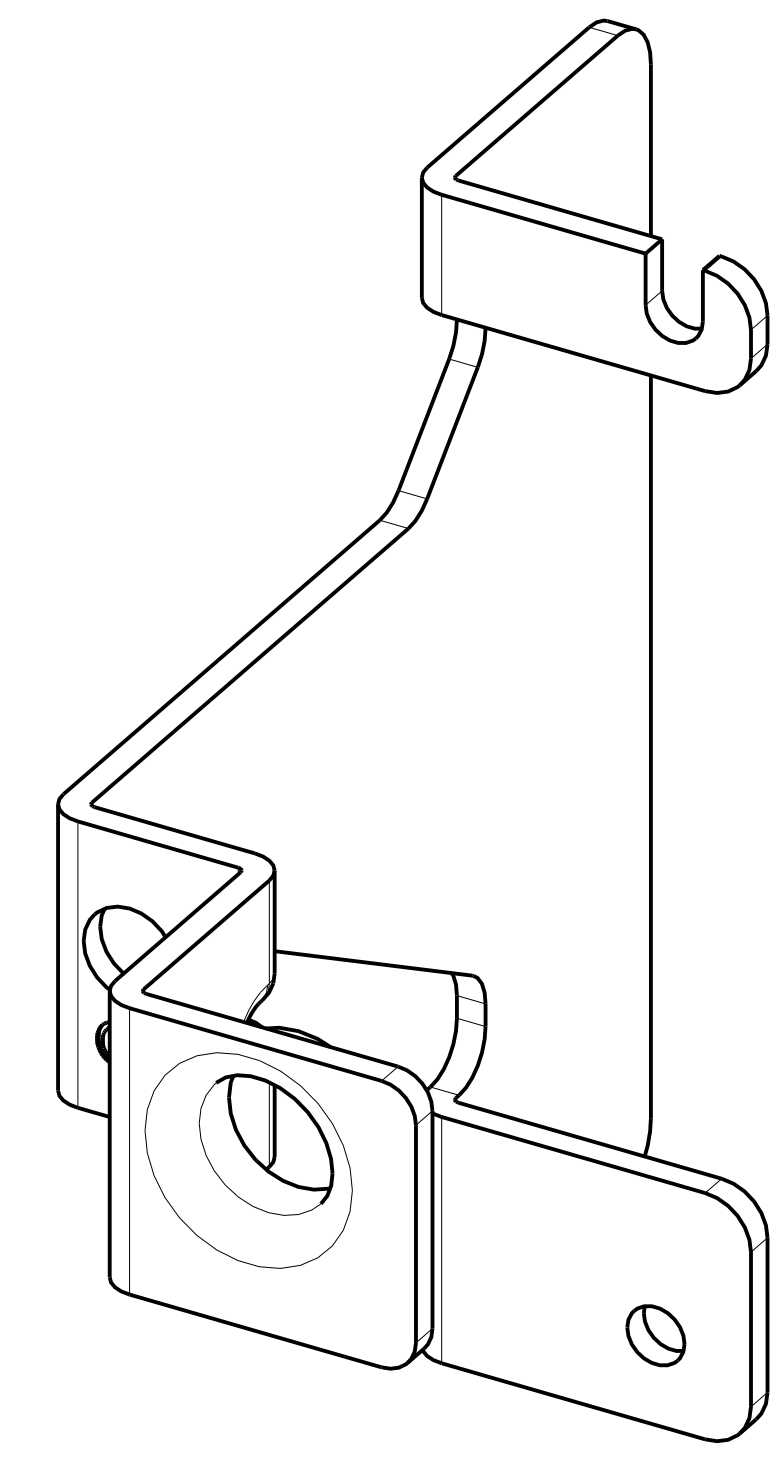
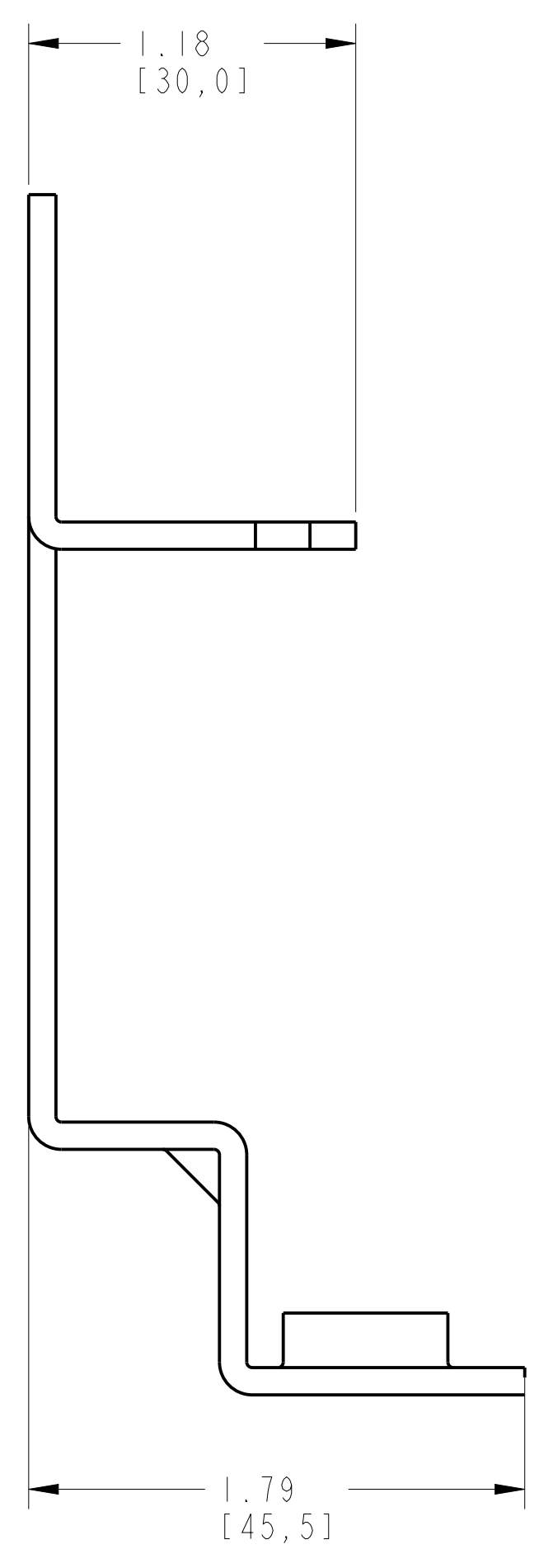


RHE SUPPORT ASSEMBLED TO 140G-K-4-POLE
SCALE 0.60:1

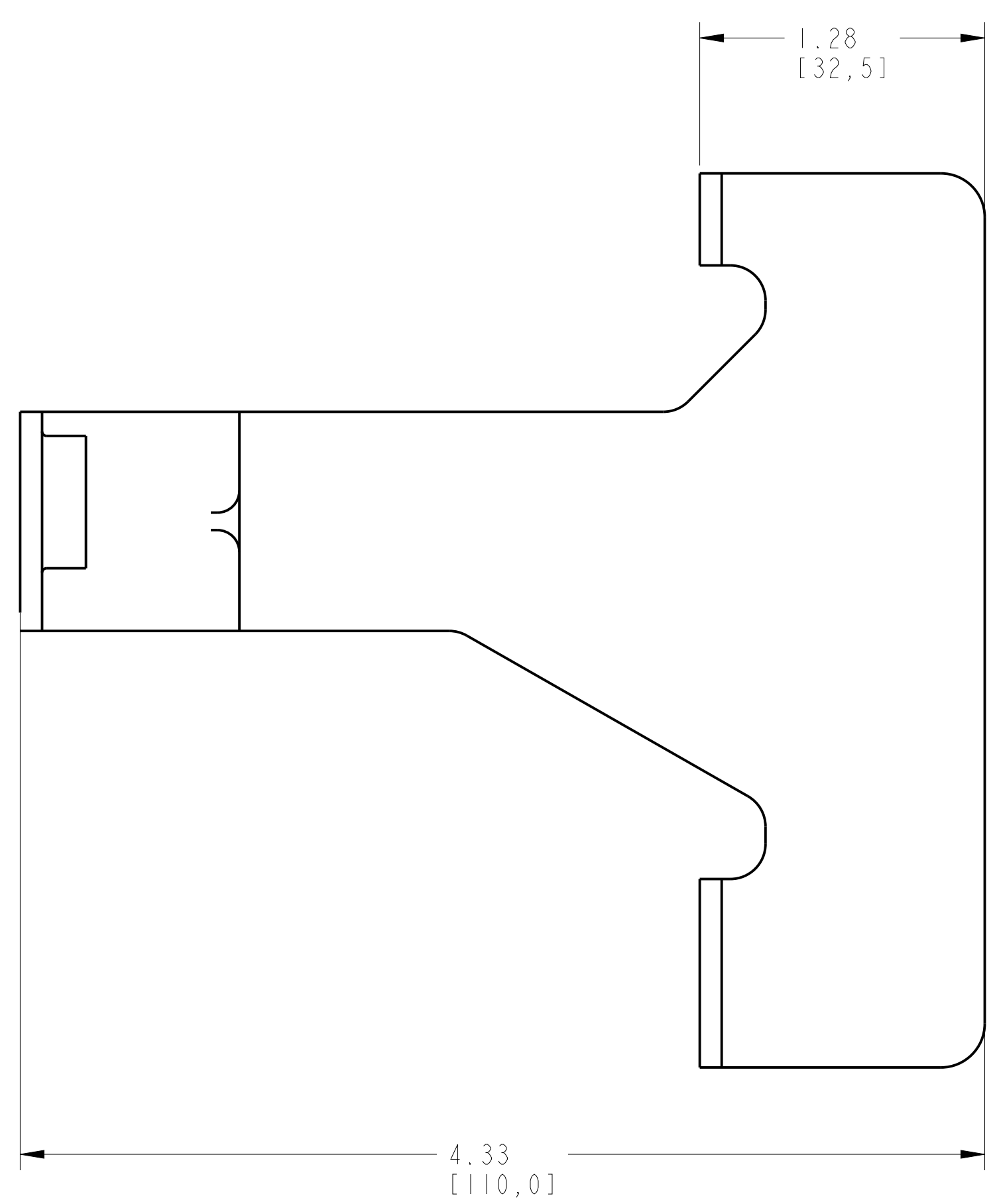
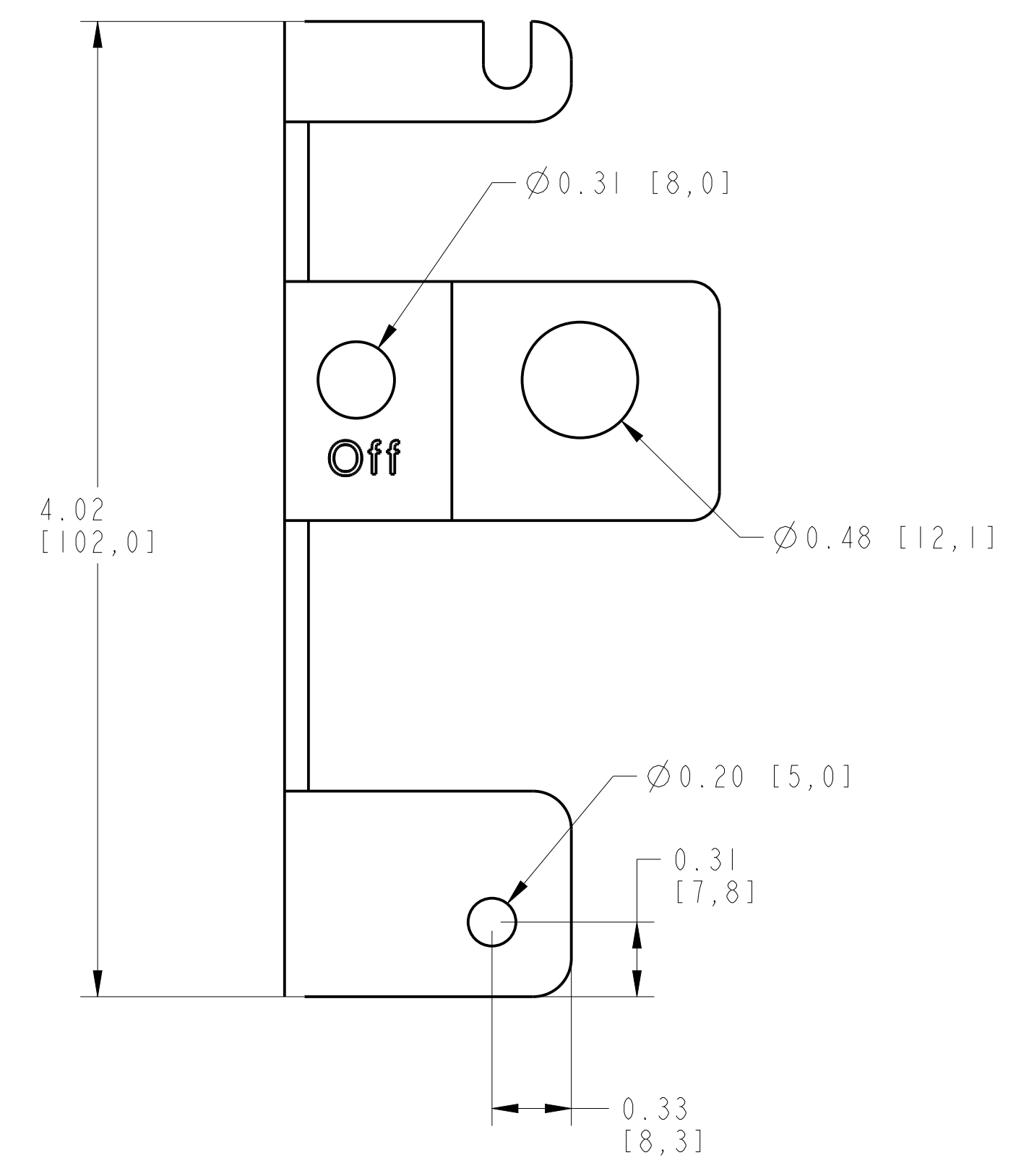
| | | | |
|--|-----------------|--|------------------|
| | | <small>CONFIDENTIAL AND PROPRIETARY INFORMATION. THIS DOCUMENT CONTAINS CONFIDENTIAL AND PROPRIETARY INFORMATION OF ROCKWELL AUTOMATION, INC. AND MAY NOT BE USED, COPIED OR DISCLOSED TO OTHERS, EXCEPT WITH THE AUTHORIZED WRITTEN PERMISSION OF ROCKWELL AUTOMATION, INC.</small> | |
| | | Sheet 2 Of 3 | |
| RHE SPRT ASSEMBLED TO 140G-K-3P & 140G-K-4P CB | | Size D | Ver 00 |
| Drawn by: UMUNUSW | Date: 26-Nov-13 | 1000882367 | |

1 2 3 4 5 6 7 8

A
B
C
D
E
F
G
H



ISOMETRIC VIEW



ITEM 2 : RHE SUPPORT
SCALE 1.75:1

| | | | |
|--|-----------------|--|------------------|
| | | <small>CONFIDENTIAL AND PROPRIETARY INFORMATION. THIS DOCUMENT CONTAINS CONFIDENTIAL AND PROPRIETARY INFORMATION OF ROCKWELL AUTOMATION, INC. AND MAY NOT BE USED, COPIED OR DISCLOSED TO OTHERS, EXCEPT WITH THE AUTHORIZED WRITTEN PERMISSION OF ROCKWELL AUTOMATION, INC.</small> | |
| | | Sheet 3 Of 3 | |
| RHE SPRT ASSEMBLED TO 140G-K-3P & 140G-K-4P CB | | Size D | Ver 00 |
| Drawn by: UMUNUSW | Date: 26-Nov-13 | 1000882367 | |