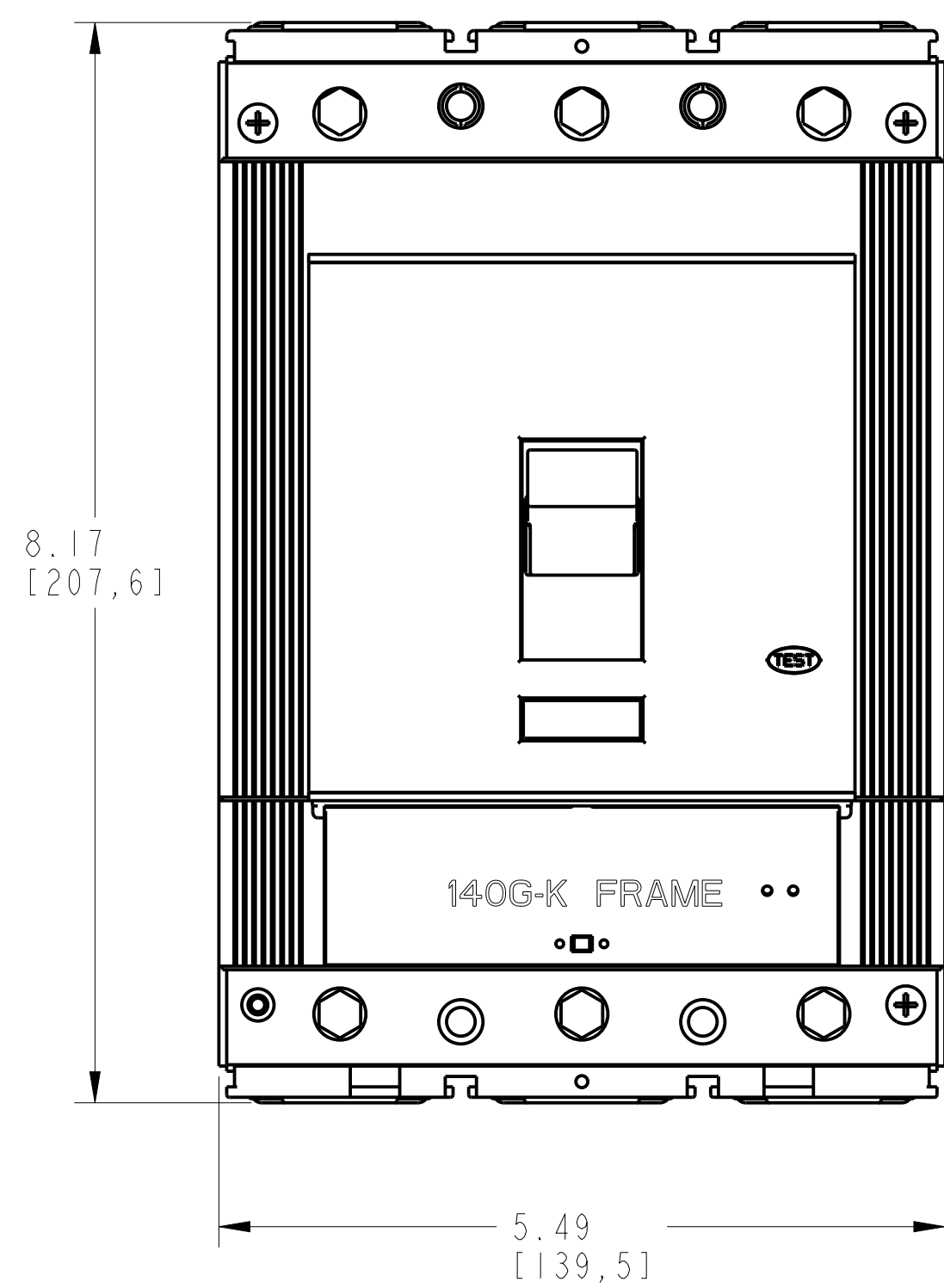
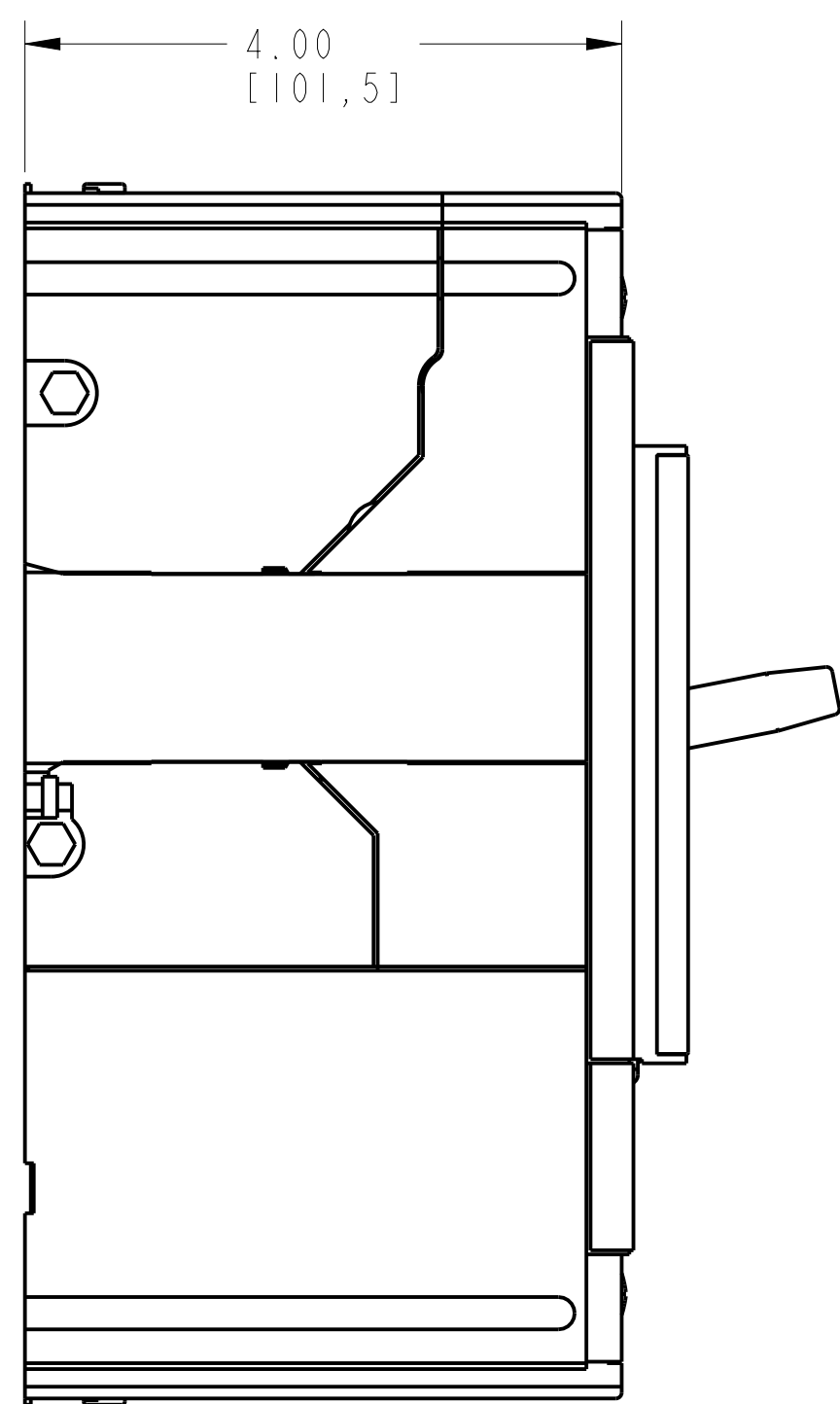
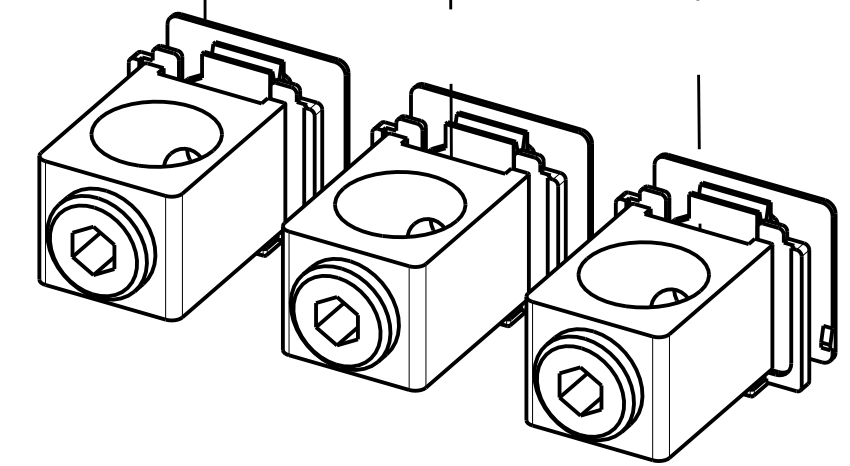
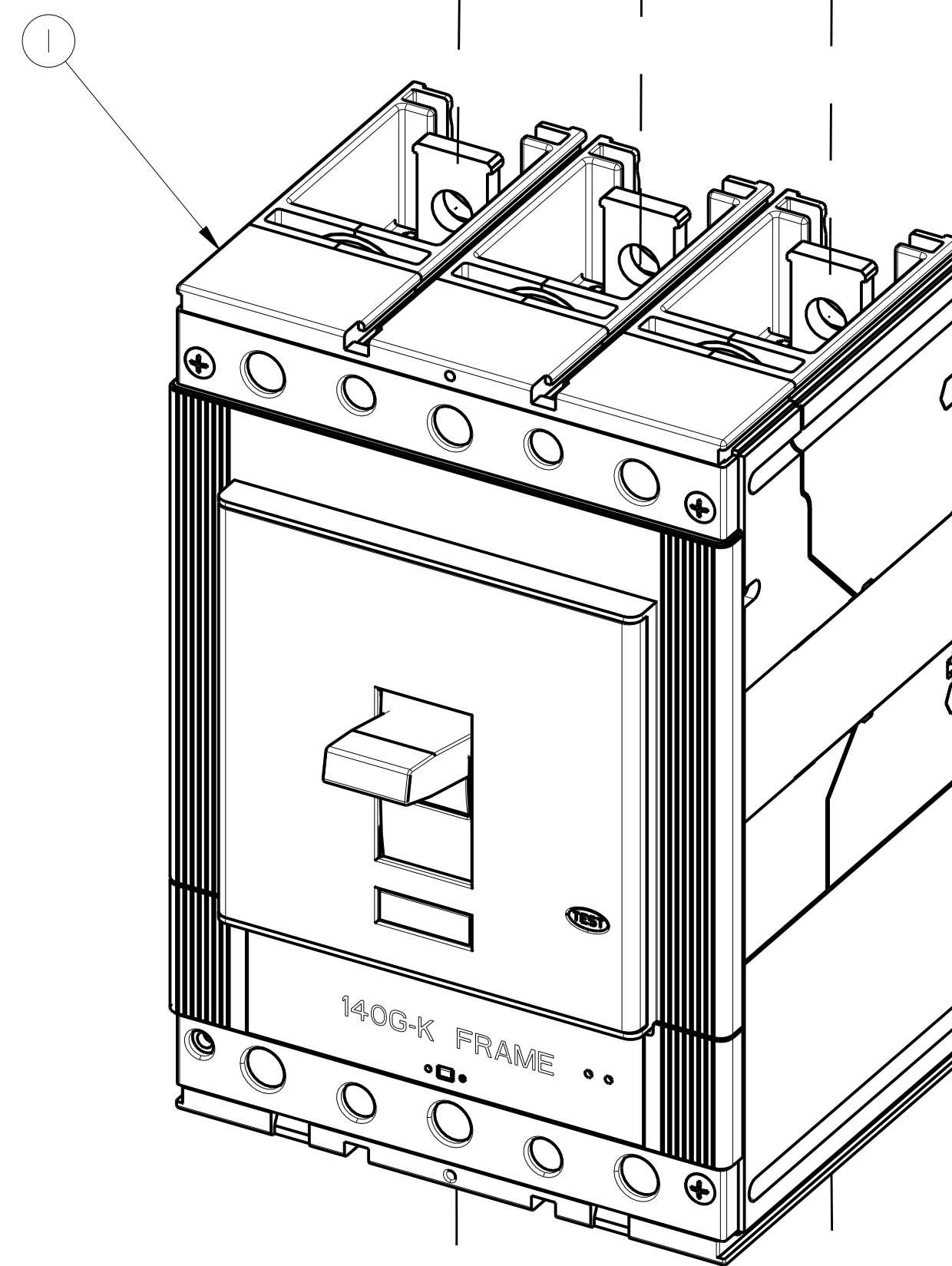
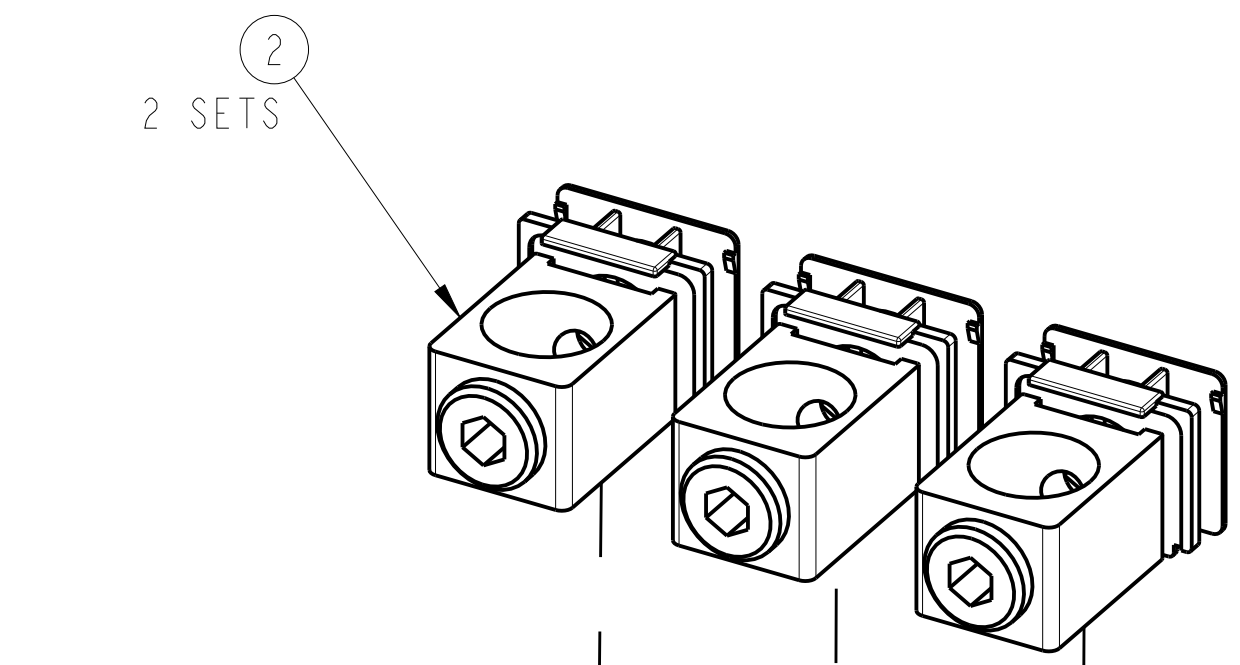
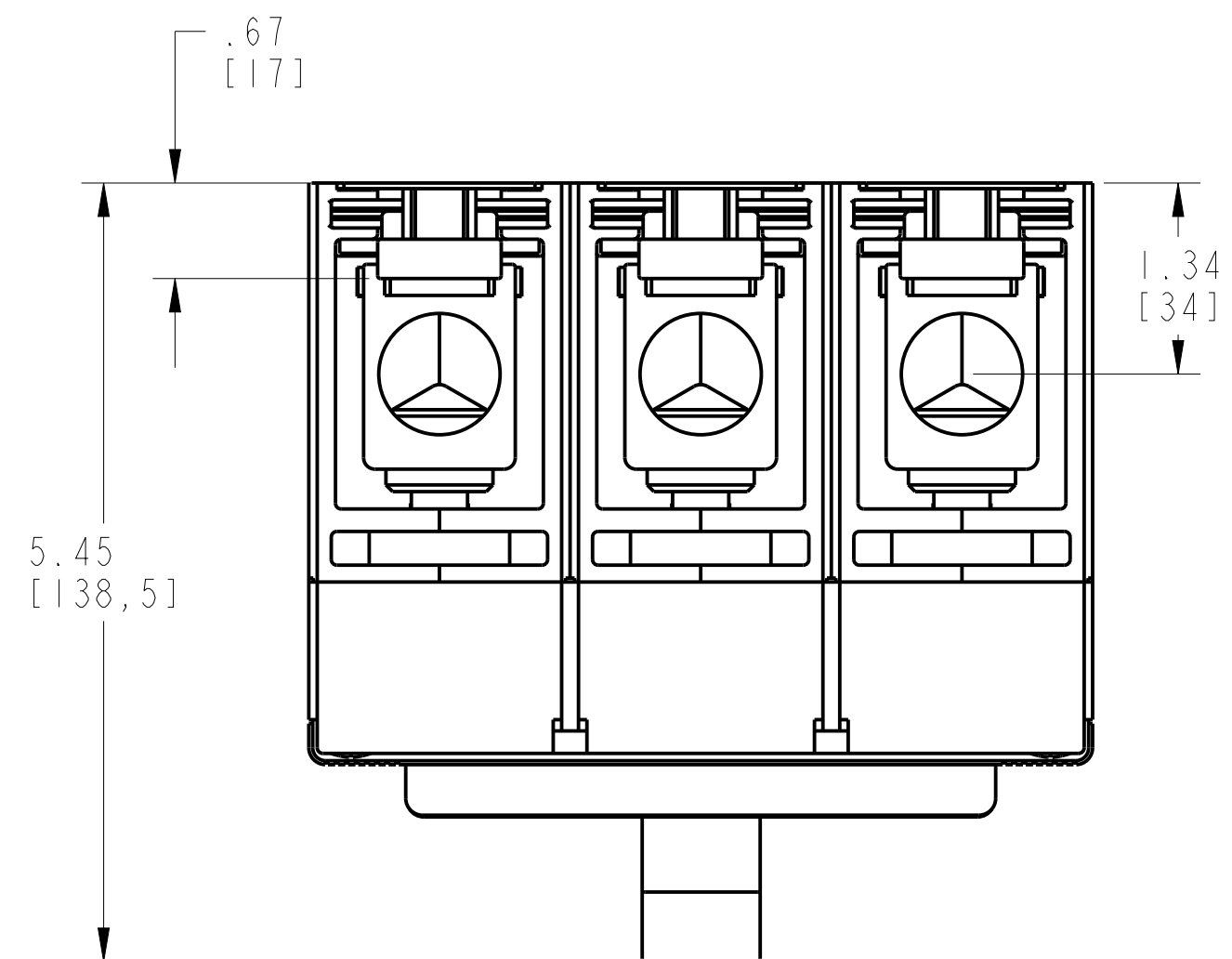


TERMINAL FOR FCCU-AL ASSEMBLY

| ITEM | DESCRIPTION | QTY | AB CAT NUMBER |
|------|-----------------------------|--------|---------------|
| 1 | MOLDED CASE CIRCUIT BREAKER | 1 | 140G-K-3P CB |
| 2 | FCCU-AL TERMINAL (3 PCS) | 2 SETS | 140G-K-TLA13 |

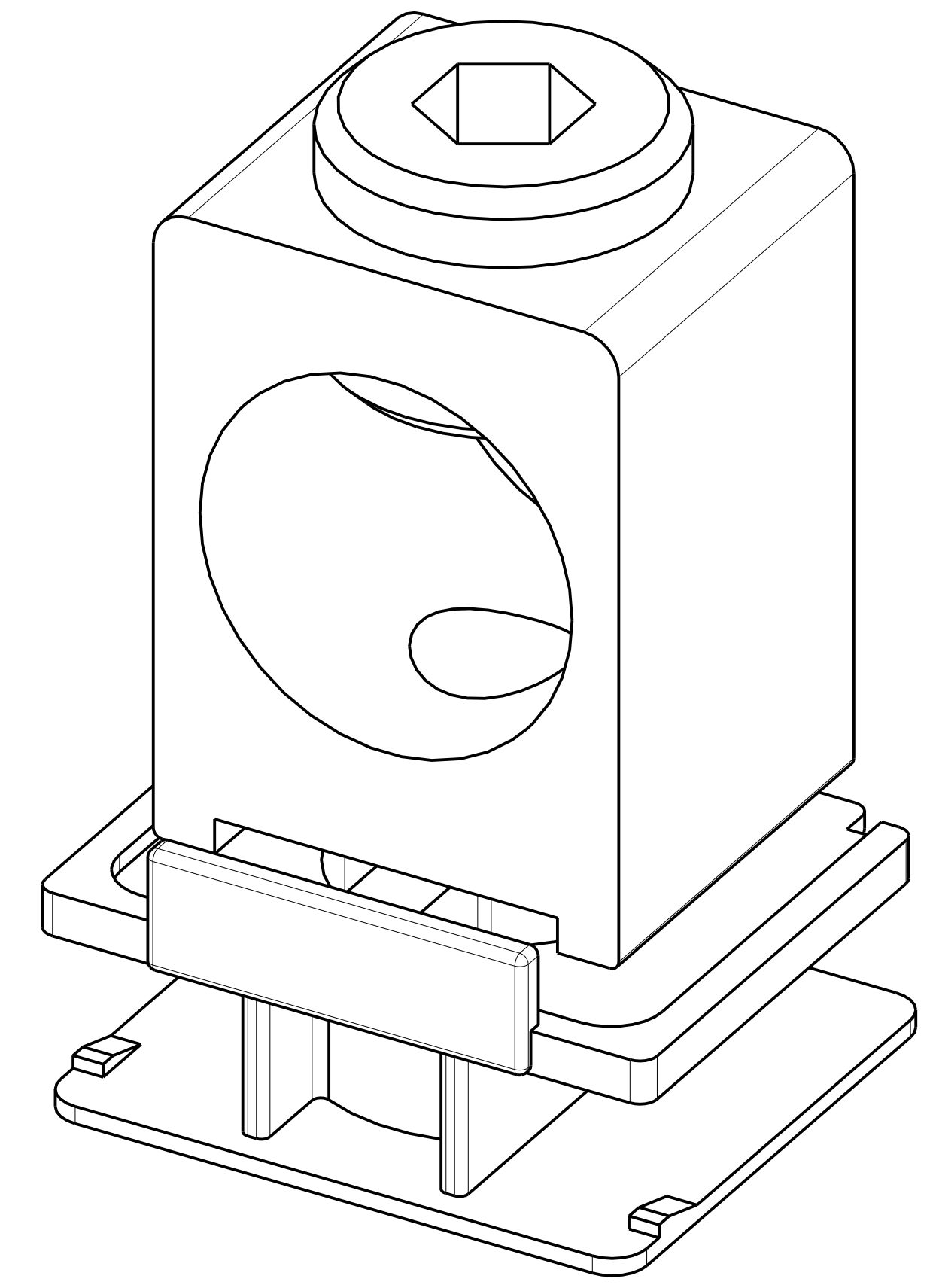
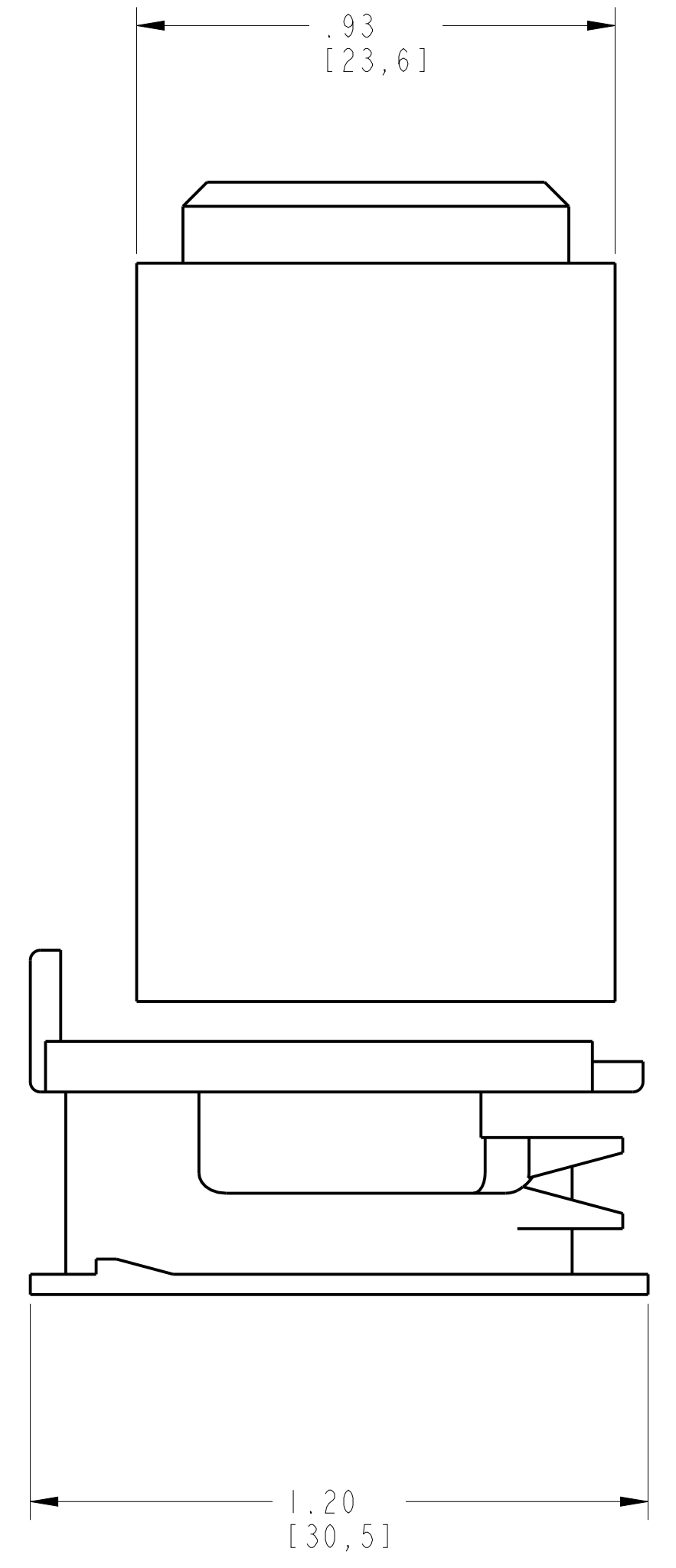
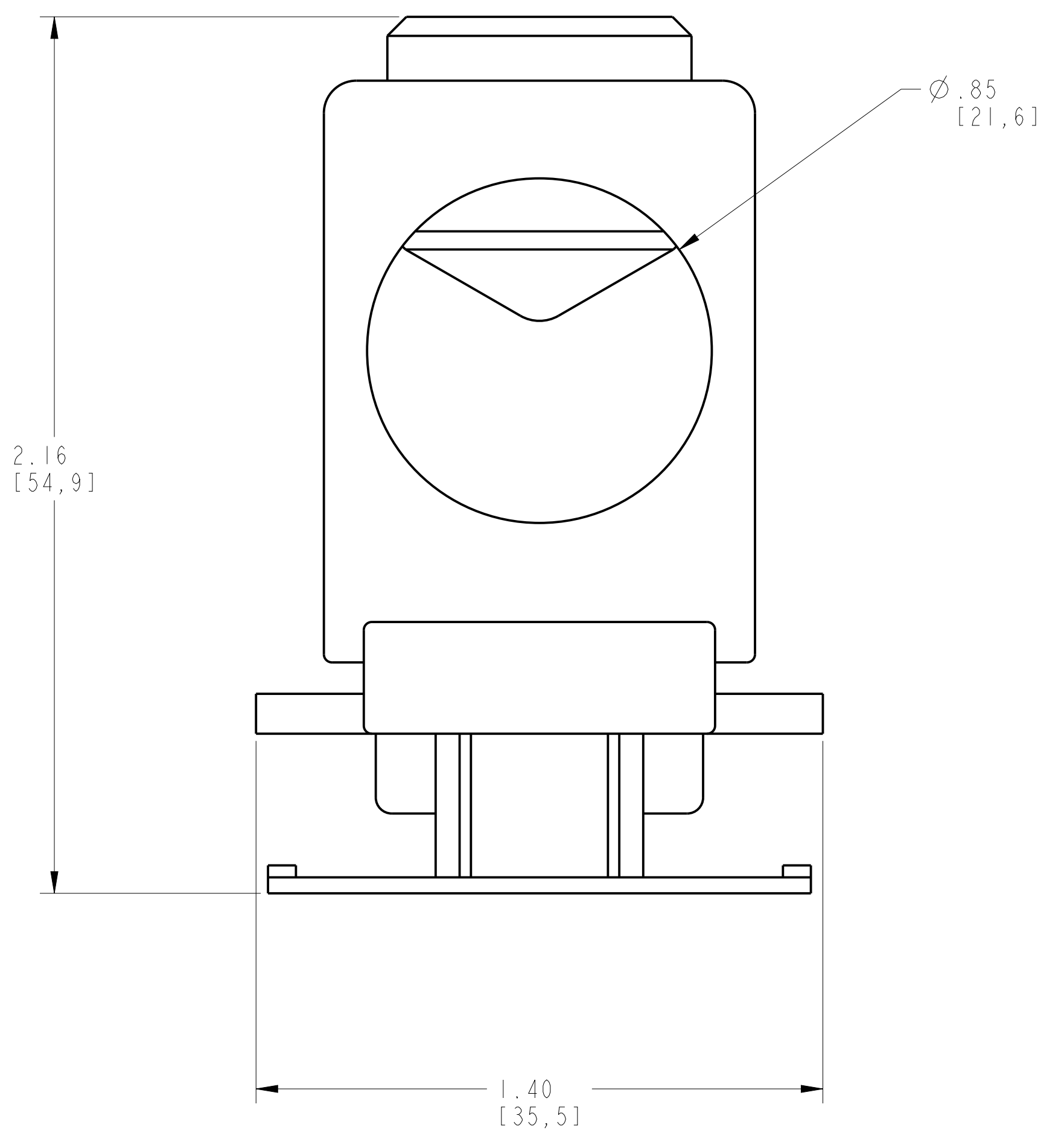
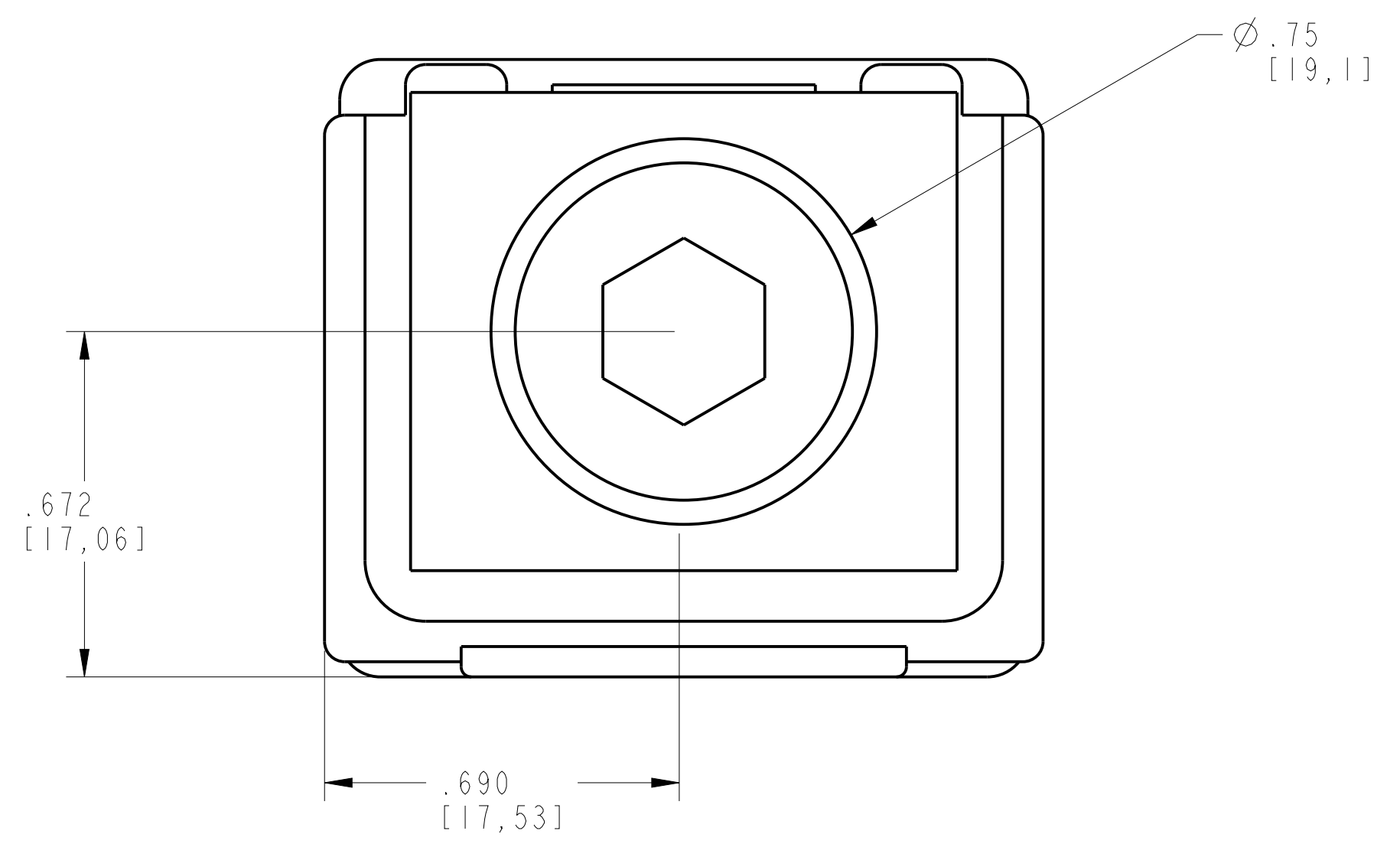


TERMINAL FOR FCCU-AL ASSEMBLED TO 140G-K-3-POLE
SCALE 0.8:1

| | | | |
|-----------------------------------|----------------|--|-------------|
| | | <small>CONFIDENTIAL AND PROPRIETARY INFORMATION. THIS DOCUMENT CONTAINS CONFIDENTIAL AND PROPRIETARY INFORMATION OF ROCKWELL AUTOMATION, INC. AND MAY NOT BE USED, COPIED OR DISCLOSED TO OTHERS, EXCEPT WITH THE AUTHORIZED WRITTEN PERMISSION OF ROCKWELL AUTOMATION, INC.</small> | |
| | | Sheet 1 Of 2 | Ver |
| FCCU AL ASSEMBLED TO 140G-K-3P CB | | D | 10000849044 |
| Drawn by: UMUNUSW | Date: 10-16-13 | | |

1 2 3 4 5 6 7 8

A
B
C
D
E
F
G
H



ISOMETRIC VIEW

ITEM 2 : TERMINAL FOR FCCU-AL
SCALE 3.5:1

| | | | |
|-----------------------------------|----------------|---|------------------|
| | | <small>CONFIDENTIAL AND PROPRIETARY INFORMATION THIS DOCUMENT CONTAINS CONFIDENTIAL AND PROPRIETARY INFORMATION OF ROCKWELL AUTOMATION, INC. AND MAY NOT BE USED, COPIED OR DISCLOSED TO OTHERS, EXCEPT WITH THE AUTHORIZED WRITTEN PERMISSION OF ROCKWELL AUTOMATION, INC.</small> | |
| | | Sheet 2 Of 2 | |
| FCCU AL ASSEMBLED TO 140G-K-3P CB | | Size D | Ver 00 |
| Drawn by: UMUNUSW | Date: 10-16-13 | 10000849044 | |