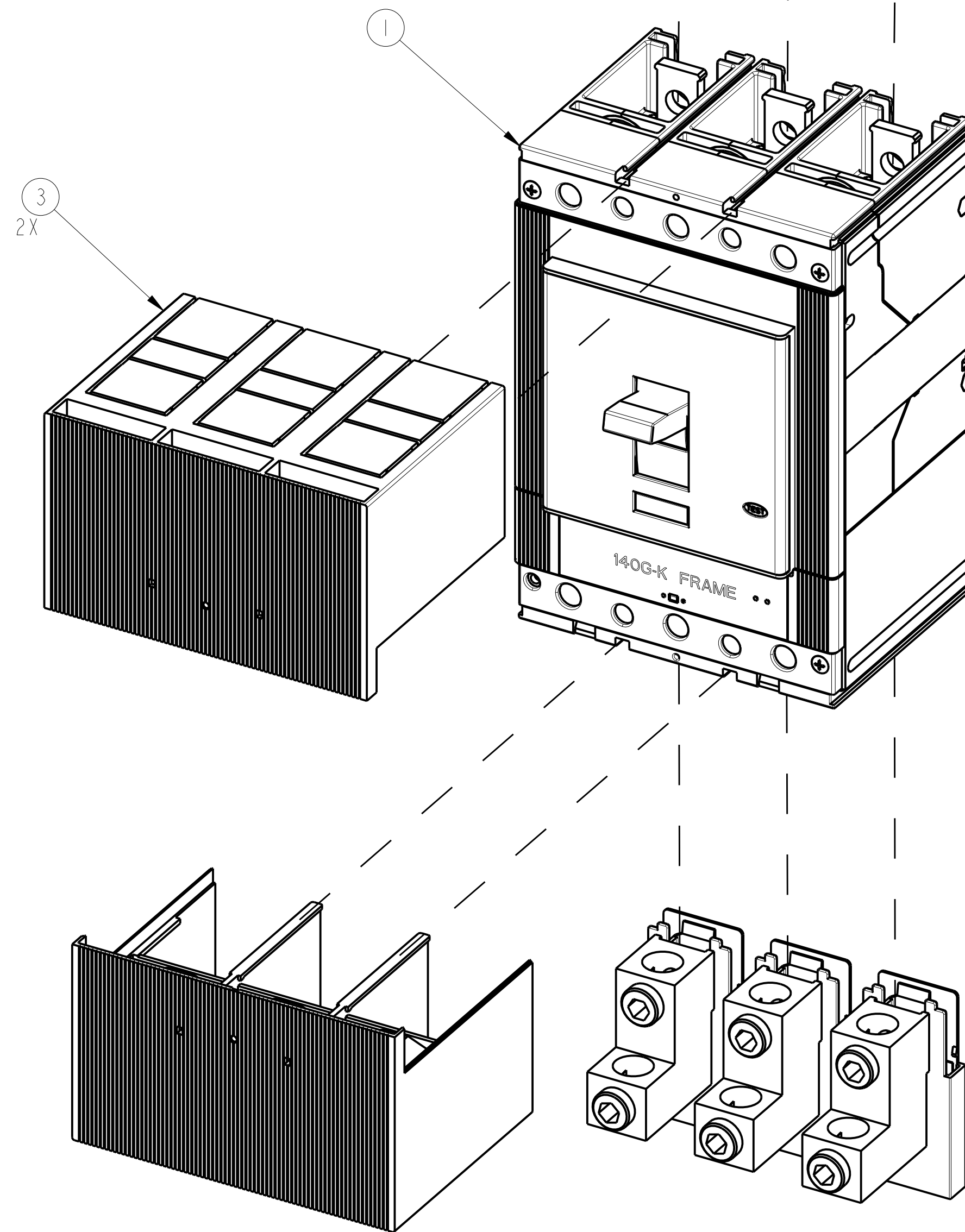
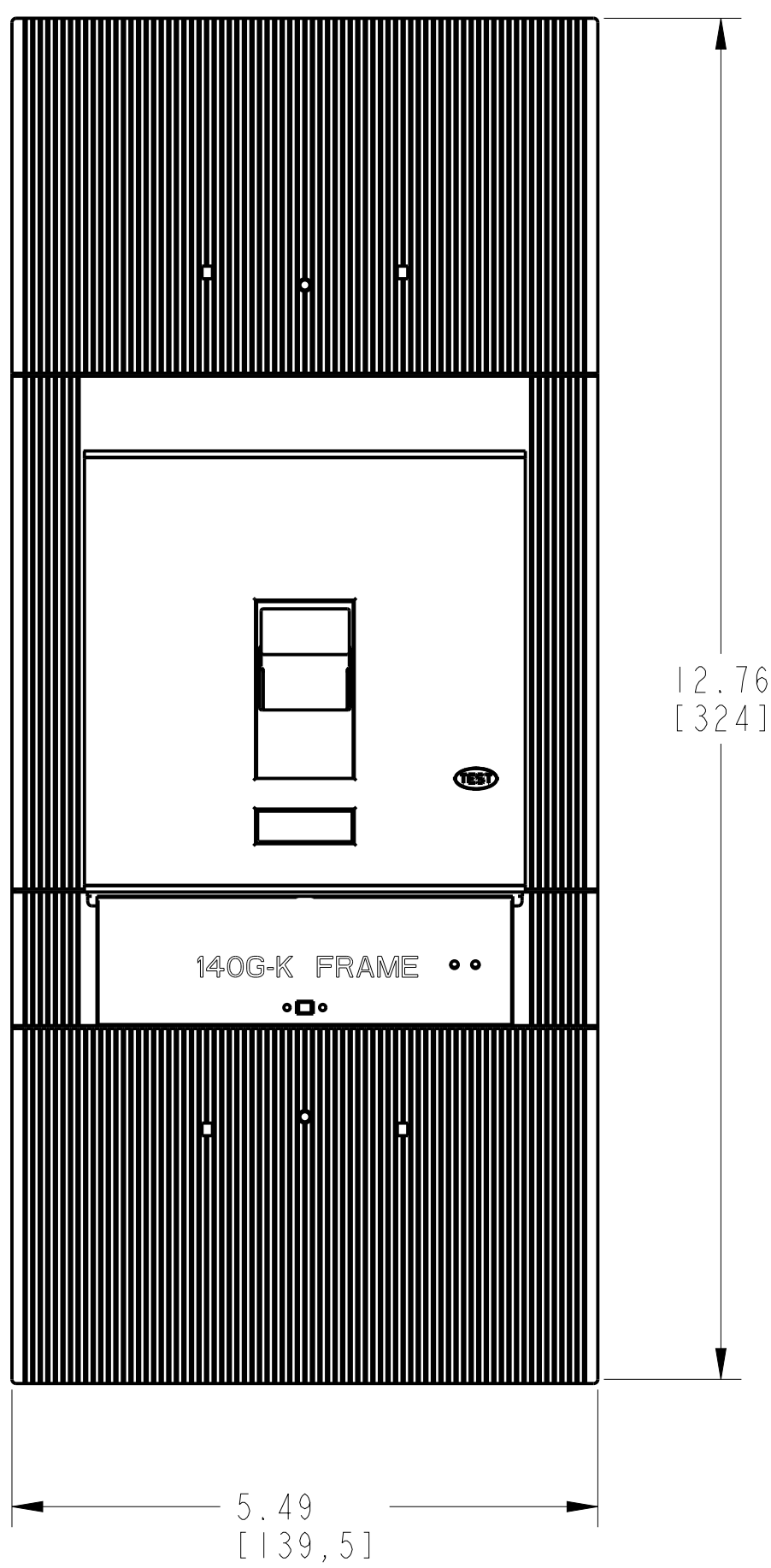
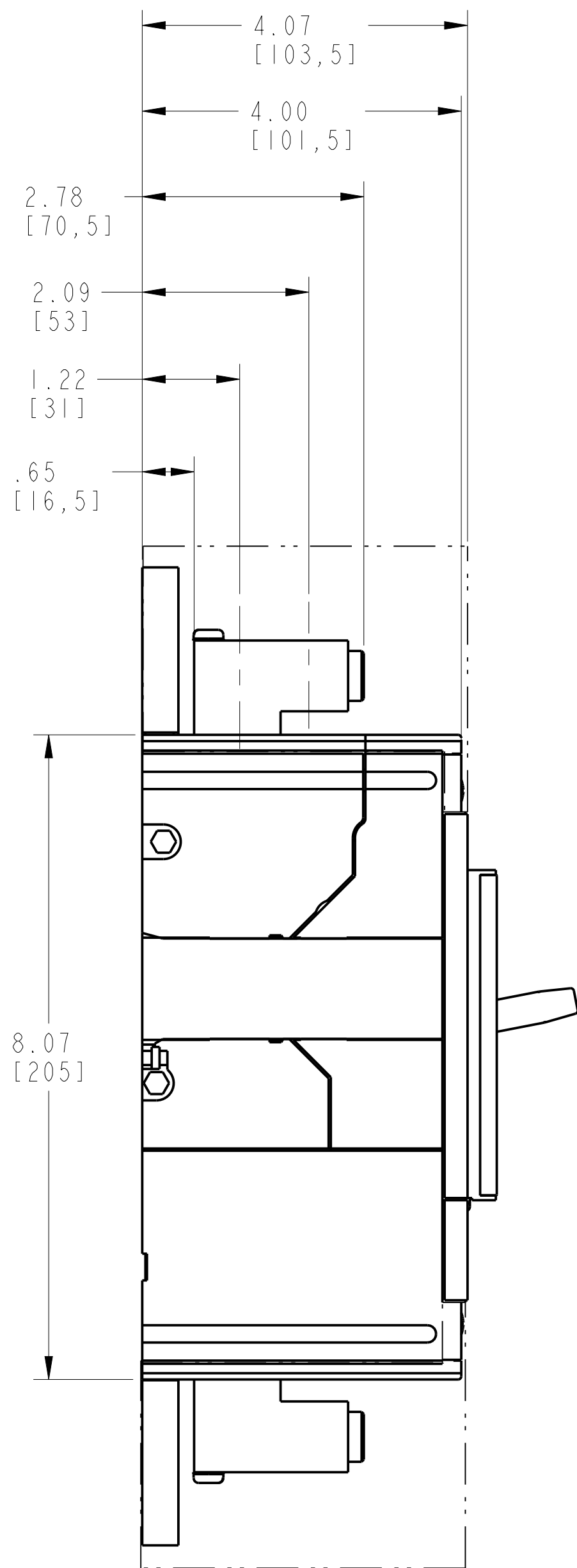
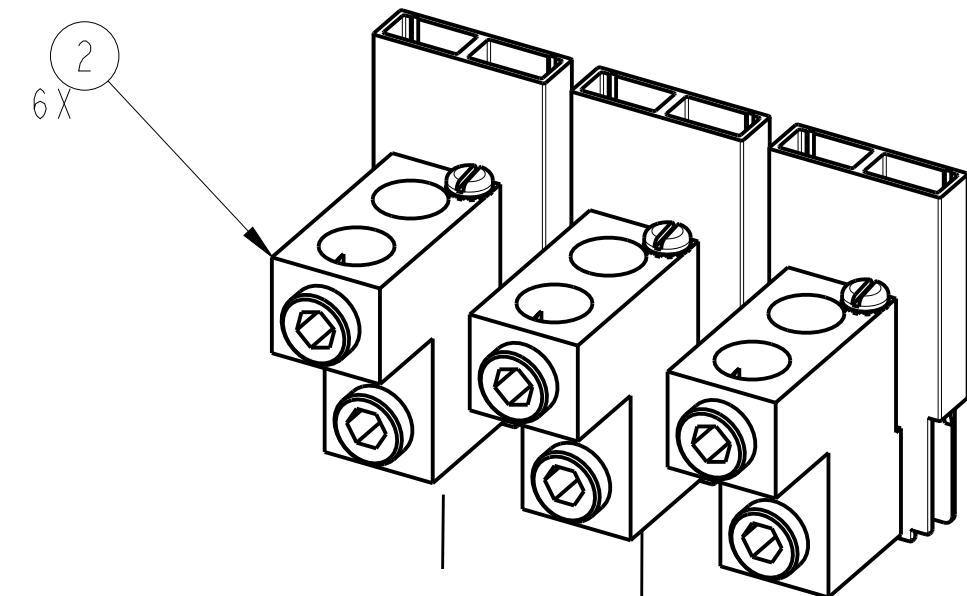
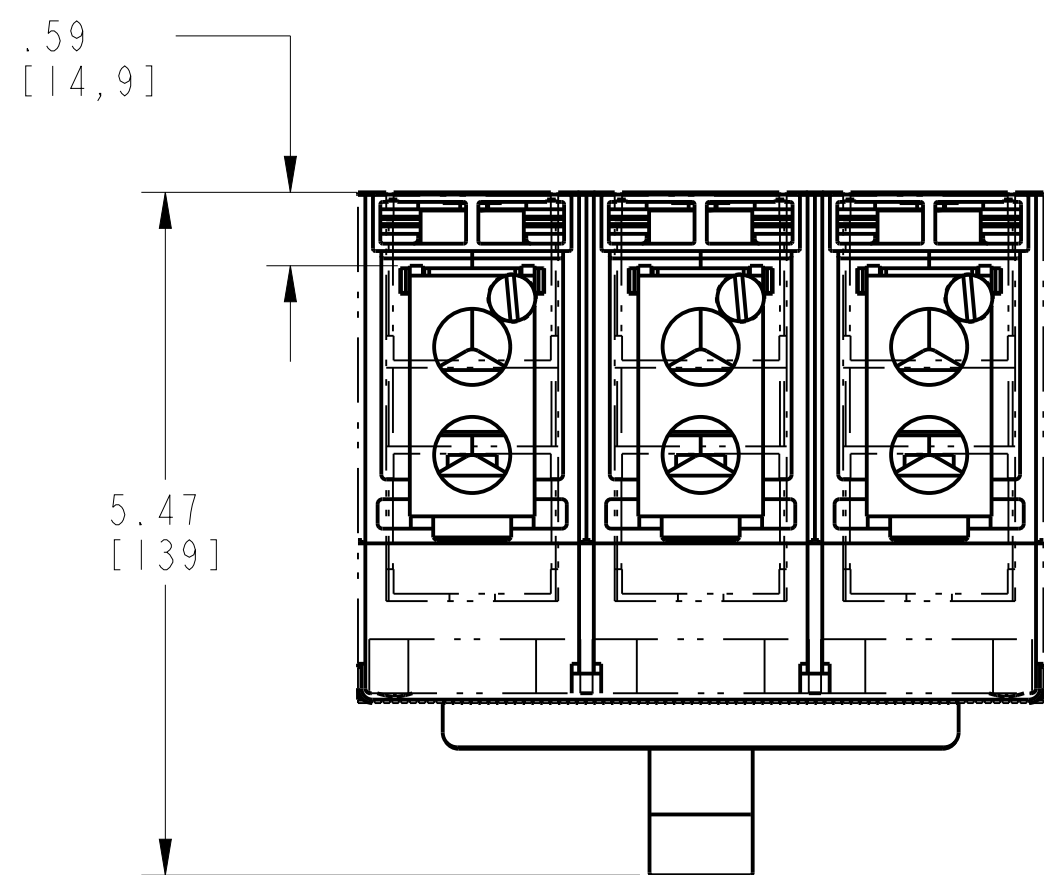


TERMINAL FOR FCCU-AL ASSEMBLY

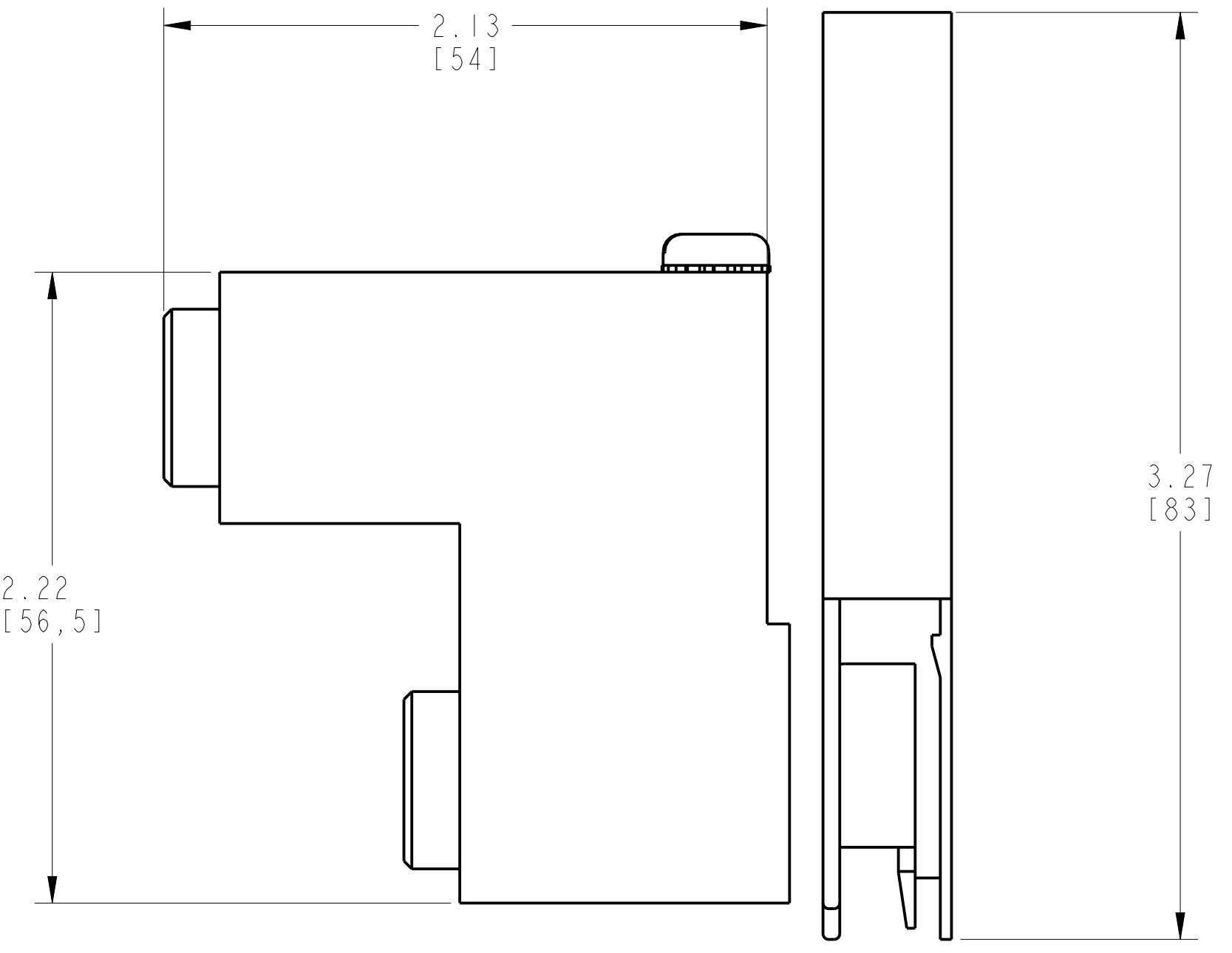
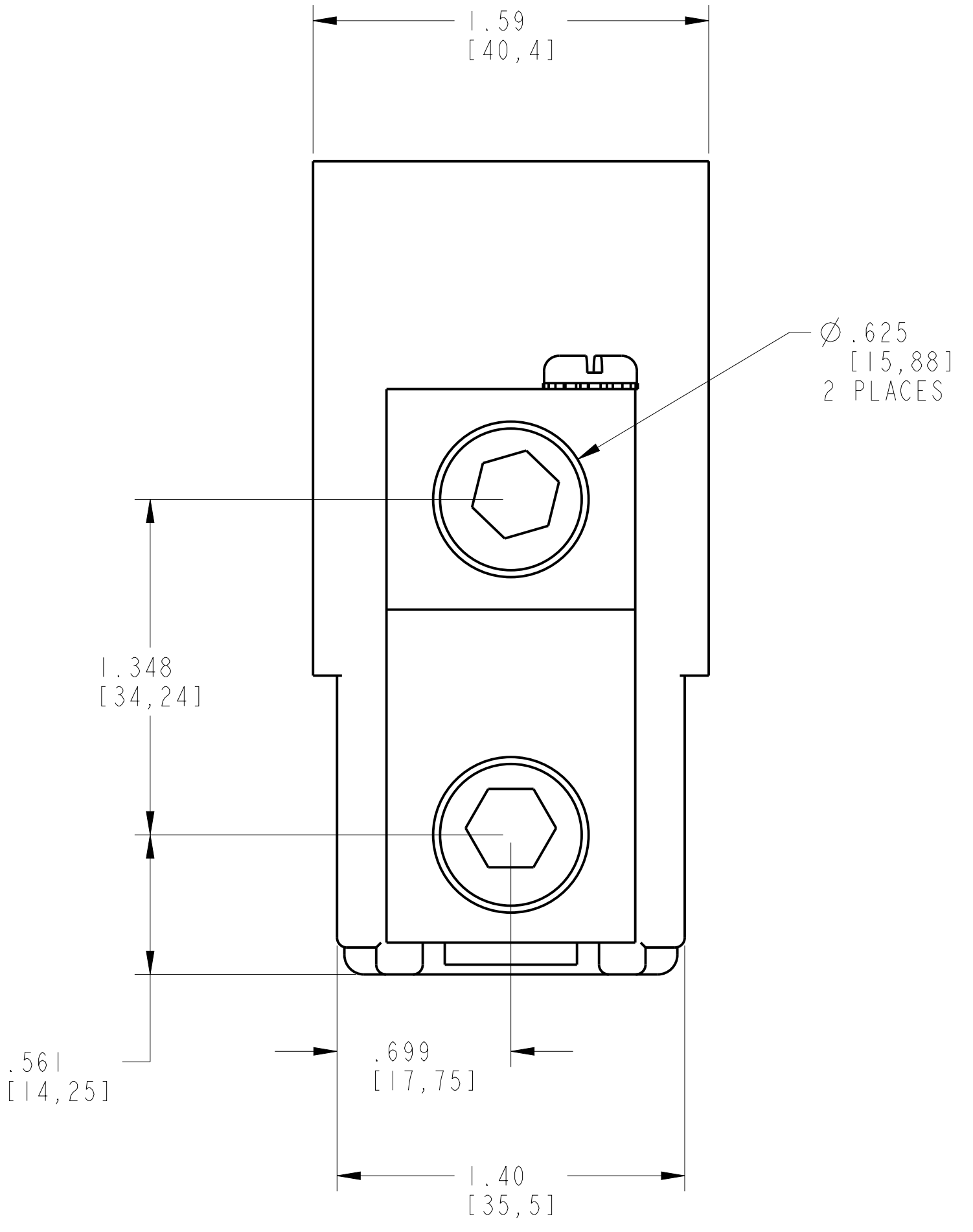
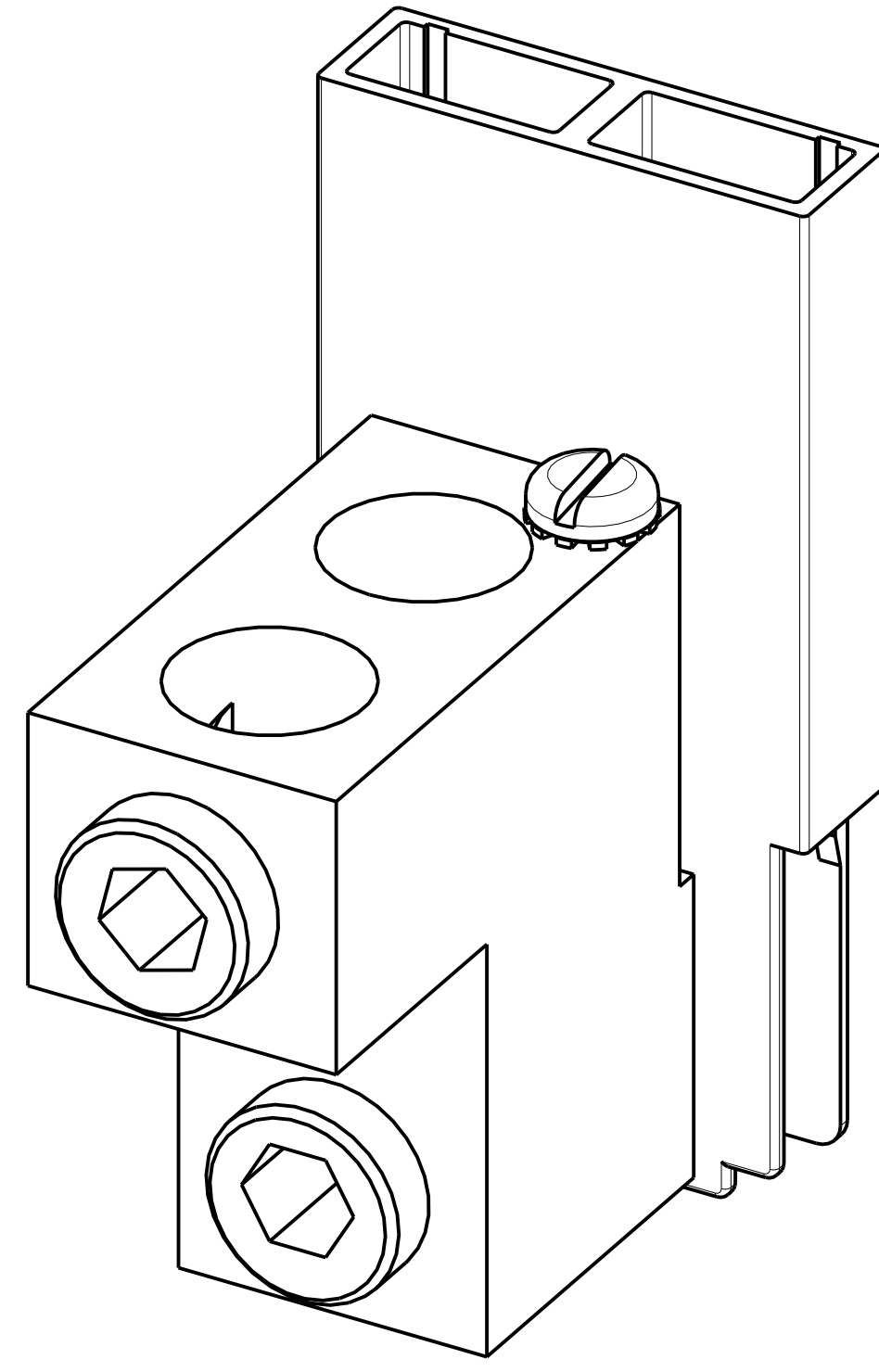
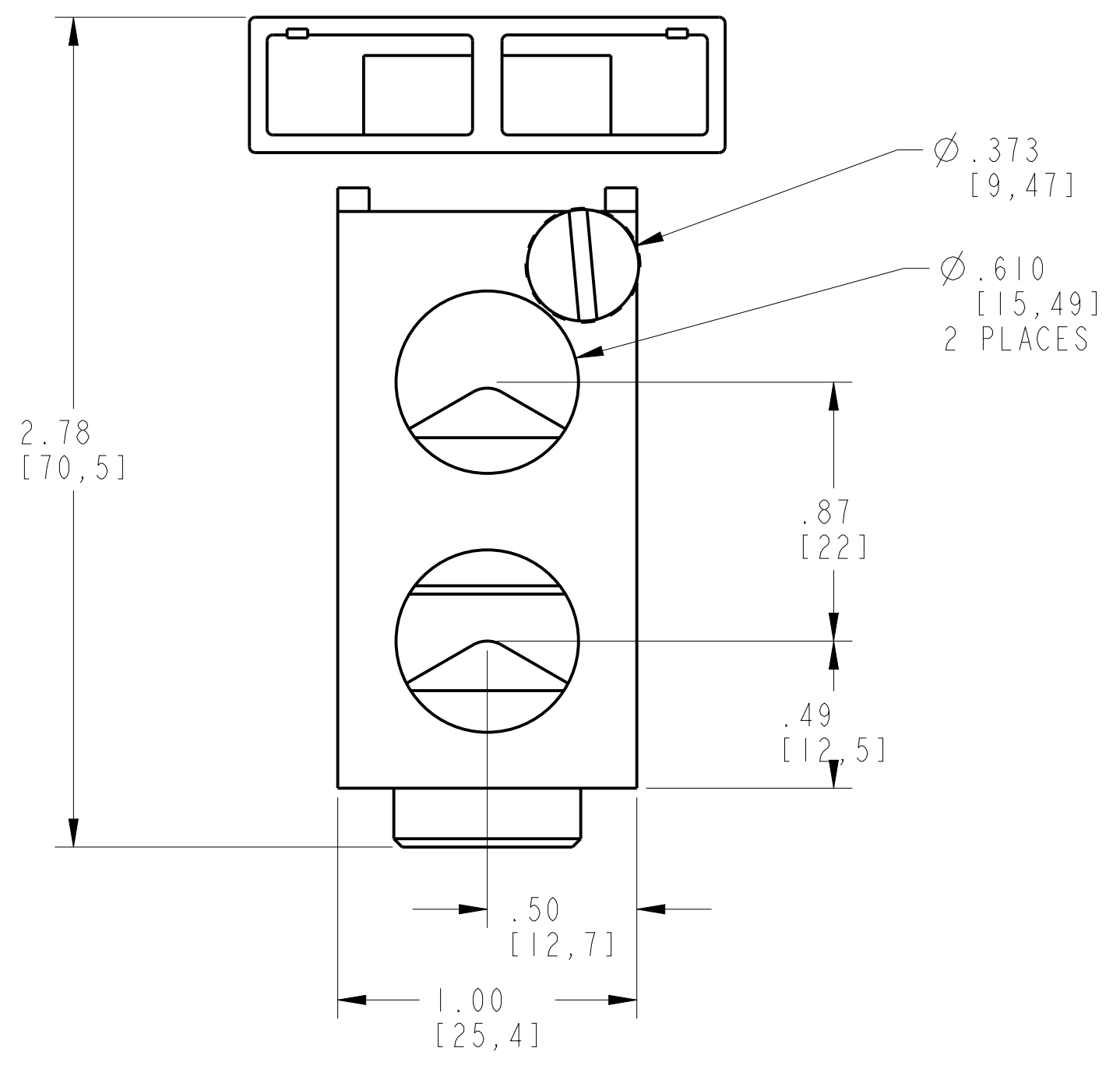
ITEM	DESCRIPTION	QTY	AB CAT NUMBER
1	MOLDED CASE CIRCUIT BREAKER	1	140G-K-3P CB
2	FCCU-AL TERMINAL (3 PCS)	2 SETS	140G-K-TLA23
3	TERMINAL COVER HIGH	2X	140G-K-TC3H



TERMINAL FOR FCCU-AL ASSEMBLED TO 140G-K-3POLE
SCALE 0.65:1

1 2 3 4 5 6 7 8

A
B
C
D
E
F
G
H



ITEM 2 : TERMINAL FOR FCCU-AL
SCALE 2:1

		<small>CONFIDENTIAL AND PROPRIETARY INFORMATION. THIS DOCUMENT CONTAINS CONFIDENTIAL AND PROPRIETARY INFORMATION OF ROCKWELL AUTOMATION, INC. AND MAY NOT BE USED, COPIED OR DISCLOSED TO OTHERS, EXCEPT WITH THE AUTHORIZED WRITTEN PERMISSION OF ROCKWELL AUTOMATION, INC.</small>	
		Sheet 2 Of 2	
FCCU ASSEMBLED TO 140G-K-3POLE CB		Size D	Ver 00
Drawn by: UMUNUSW	Date: 10-16-13	10000848871	