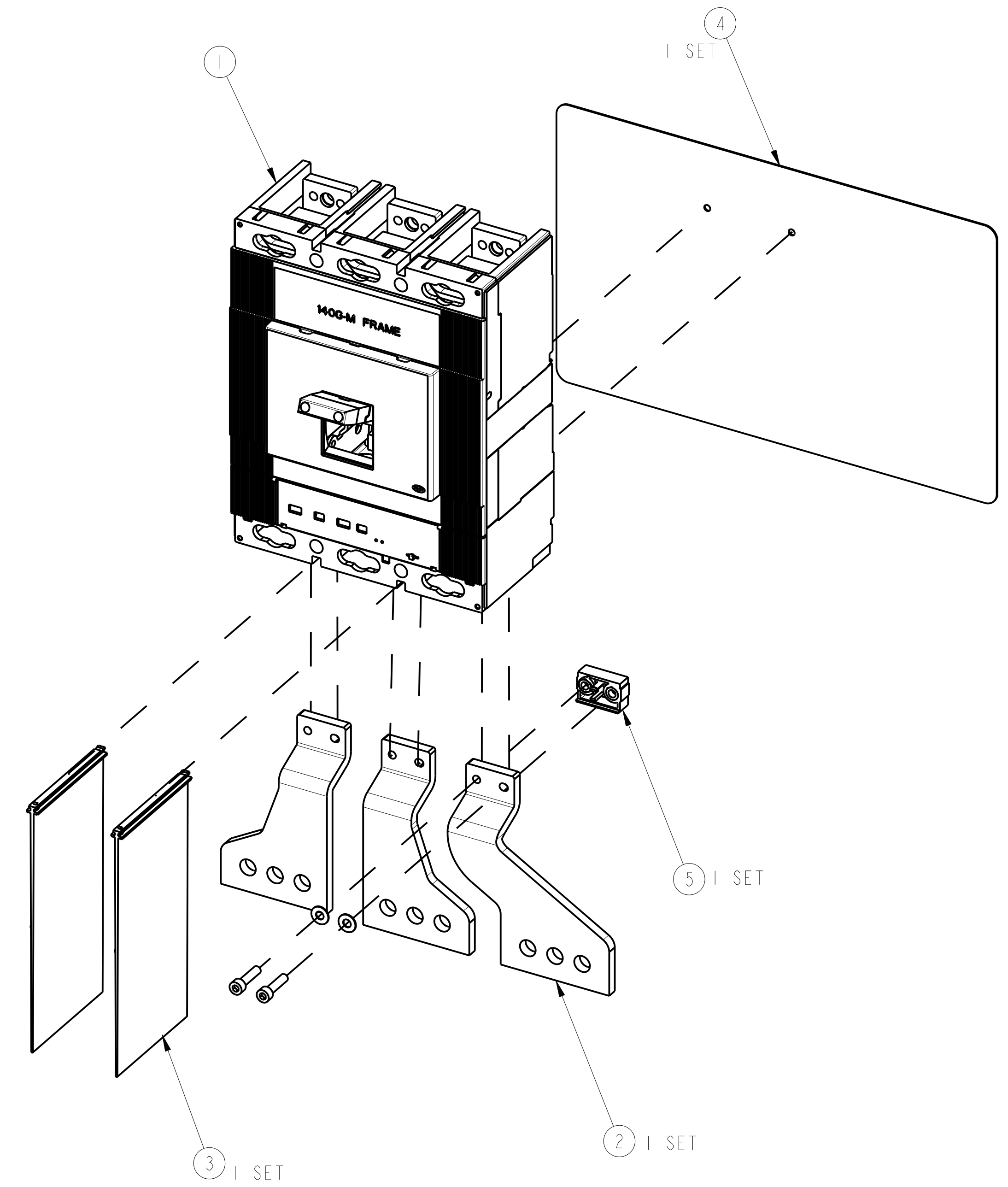
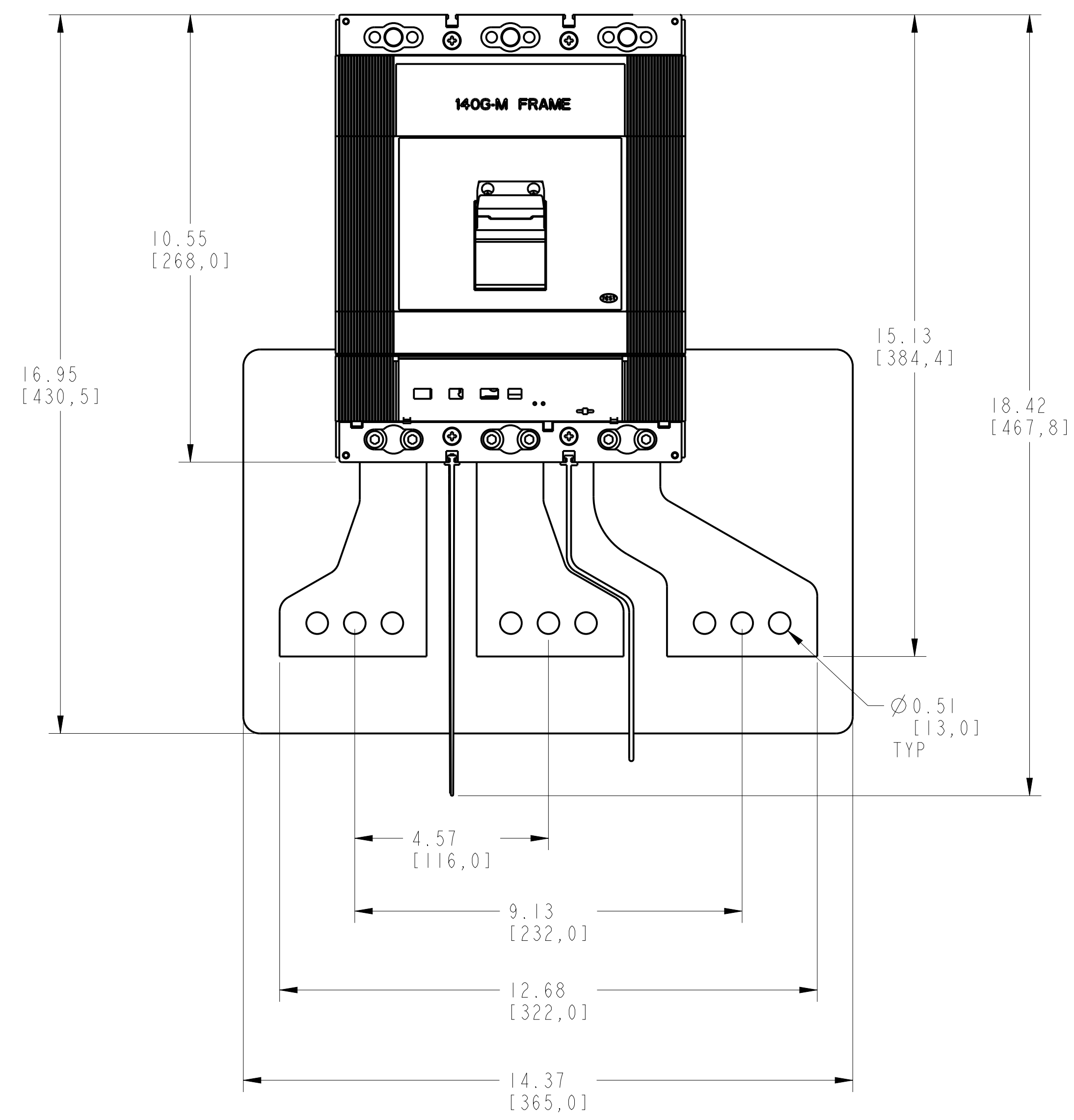
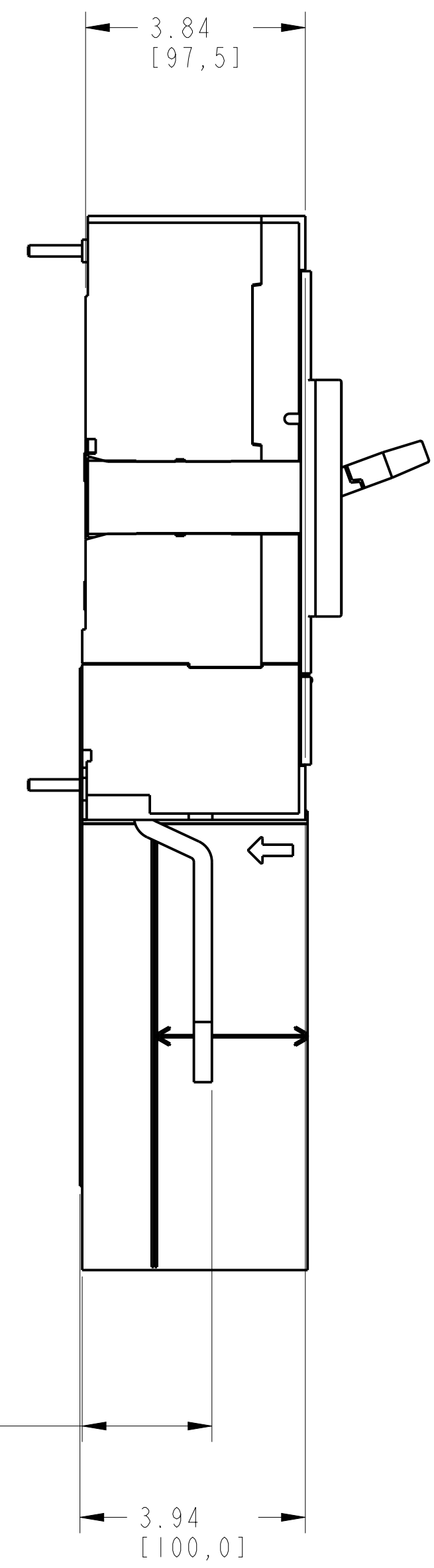
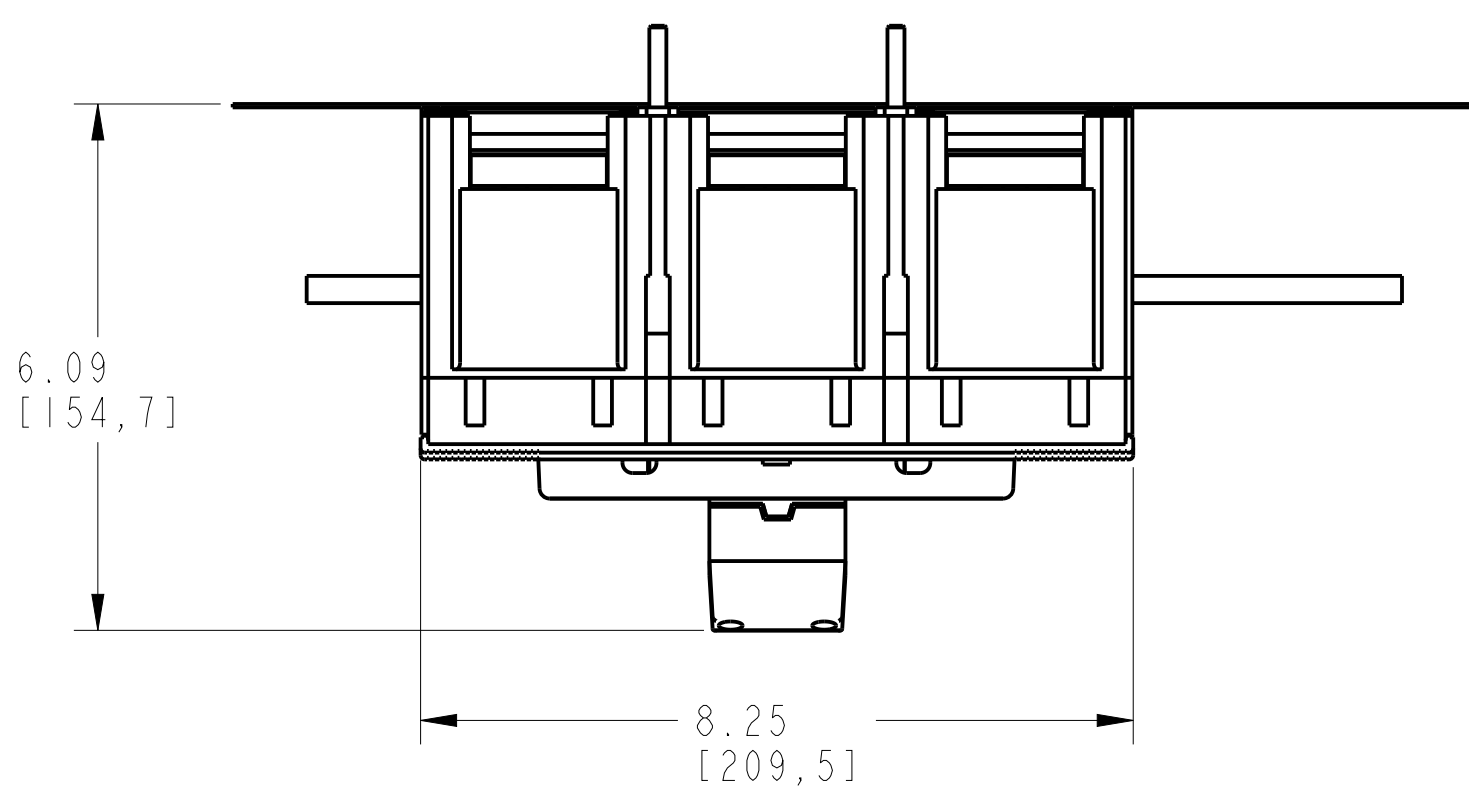


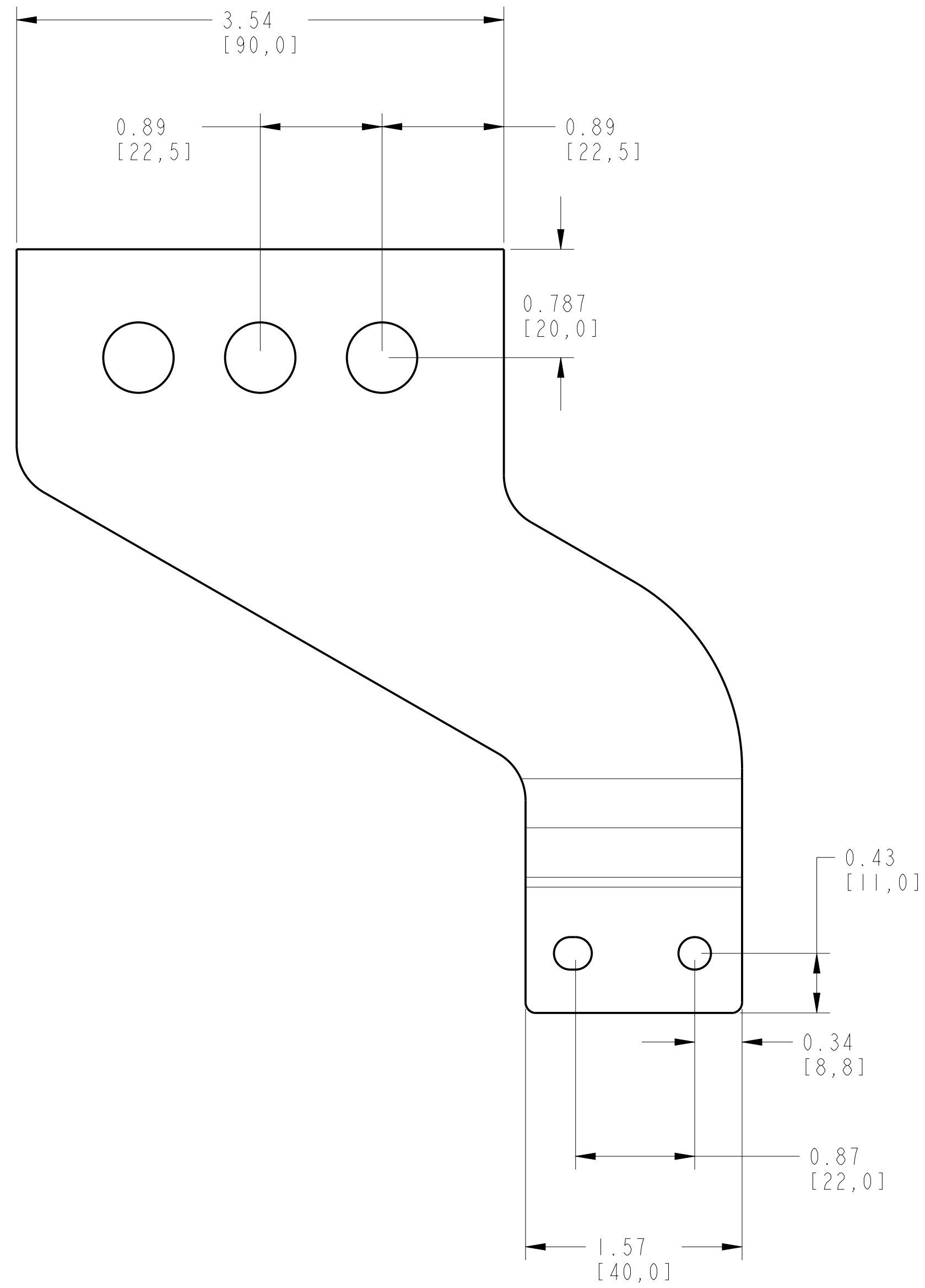
1 2 3 4 5 6 7 8

FRONT SPREADER TERMINAL (LOW) 3P ASSEMBLY

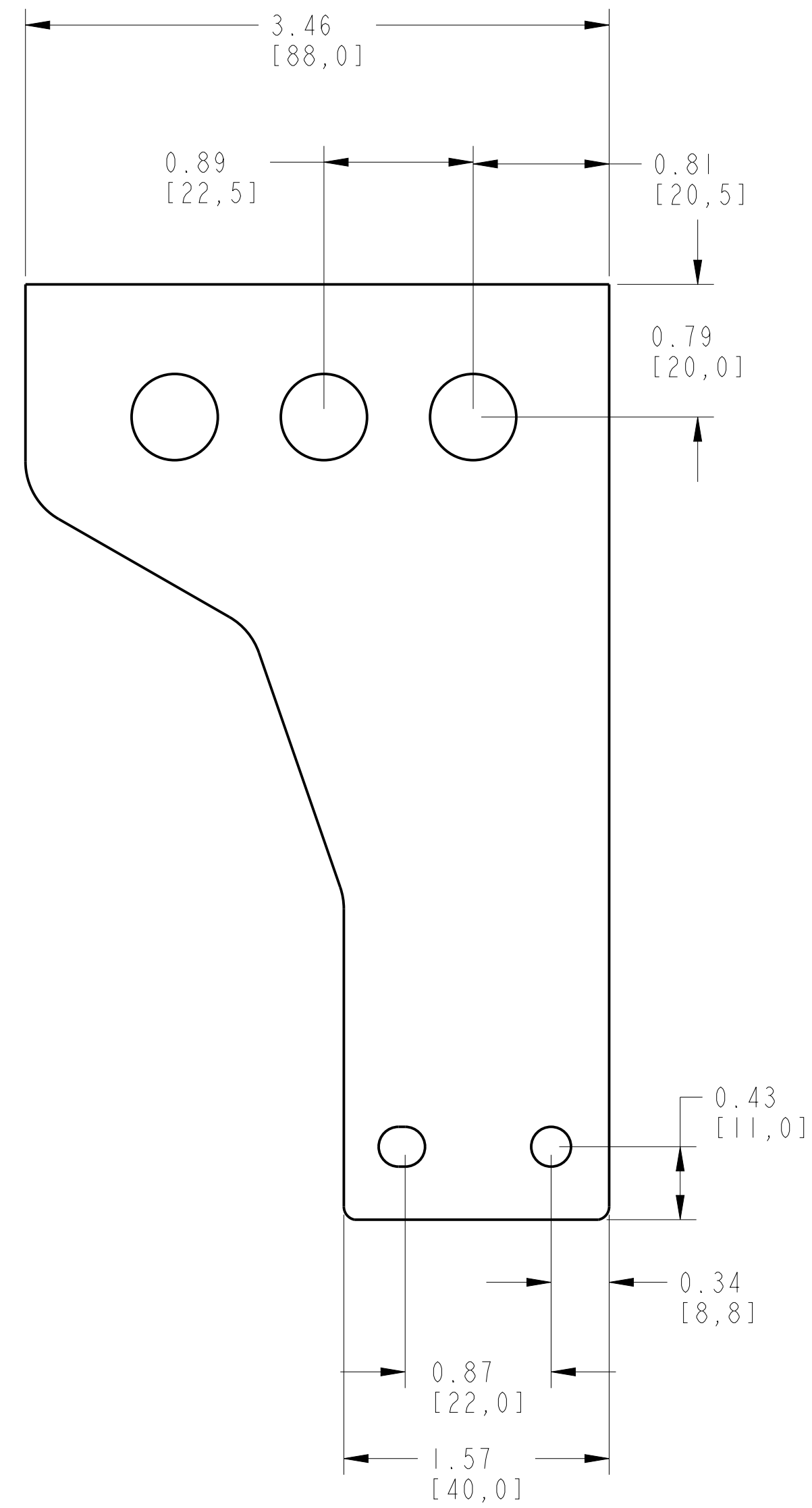
ITEM	DESCRIPTION	QTY	AB CAT NUMBER
1	MOLDED CASE CIRCUIT BREAKER	1	140G-M-3P CB
2	FRONT SPREADER TERM (LOW) 3P (3 PCS)	1 SET	140G-M-EXSLO3
3	PHASE BARRIERS HIGH 3 POLE (2 PCS)	1 SET	140G-M-PB3L
4	INSULATION BACK PLATE	1	-
5	ENDCAP ASSEMBLY (3 PCS)	1 SET	-



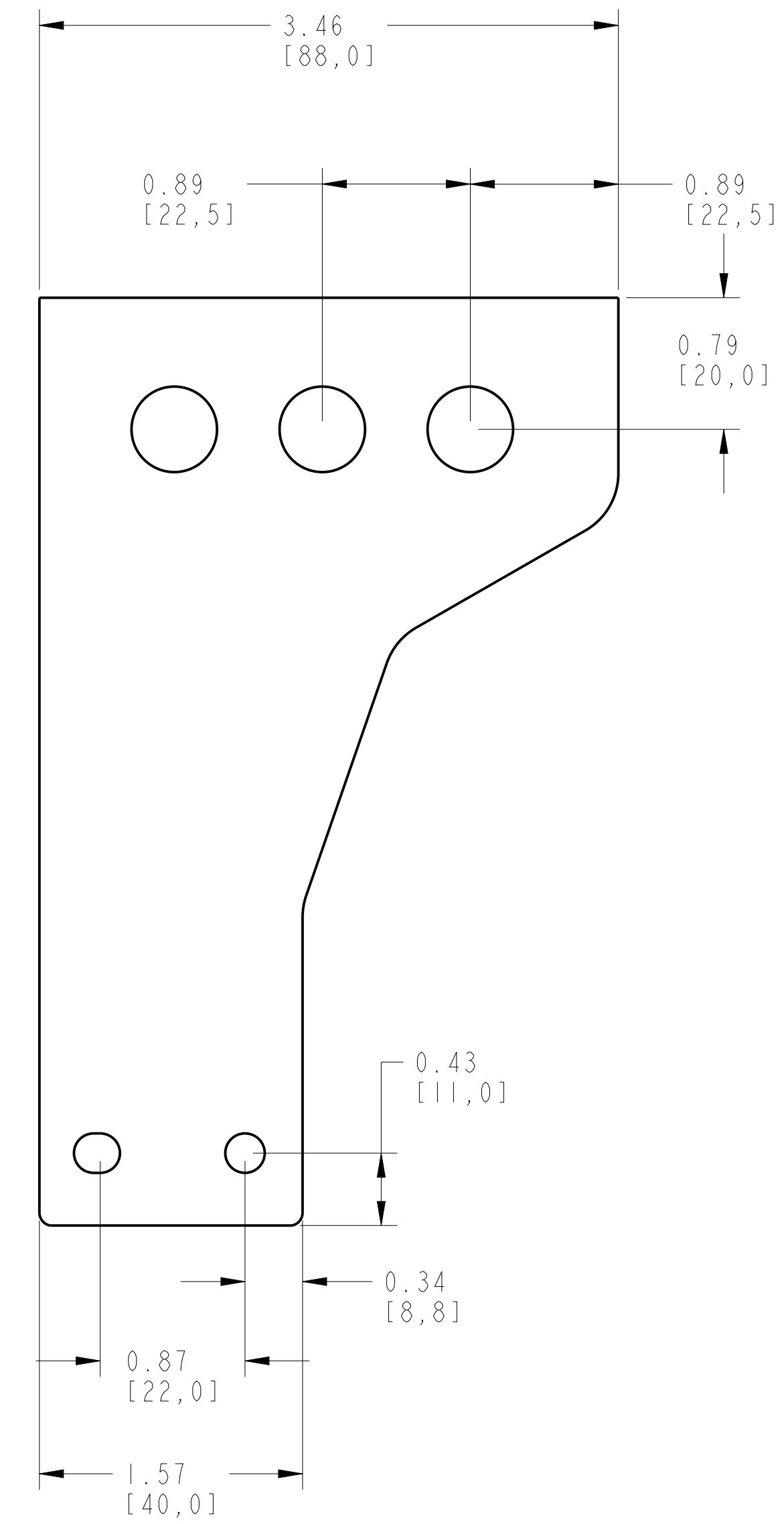
FRONT SPREADER TERMINAL (LOW) 3P ASSEMBLED TO 140G-M-3-POLE
SCALE 0.4:1



ITEM 2 : FRONT SPREADER TERMINAL LH END
SCALE 1.3:1



ITEM 2 : FRONT SPREADER TERMINAL MIDDLE
SCALE 1.3:1



ITEM 2 : FRONT SPREADER TERMINAL RH END
SCALE 1.3:1

