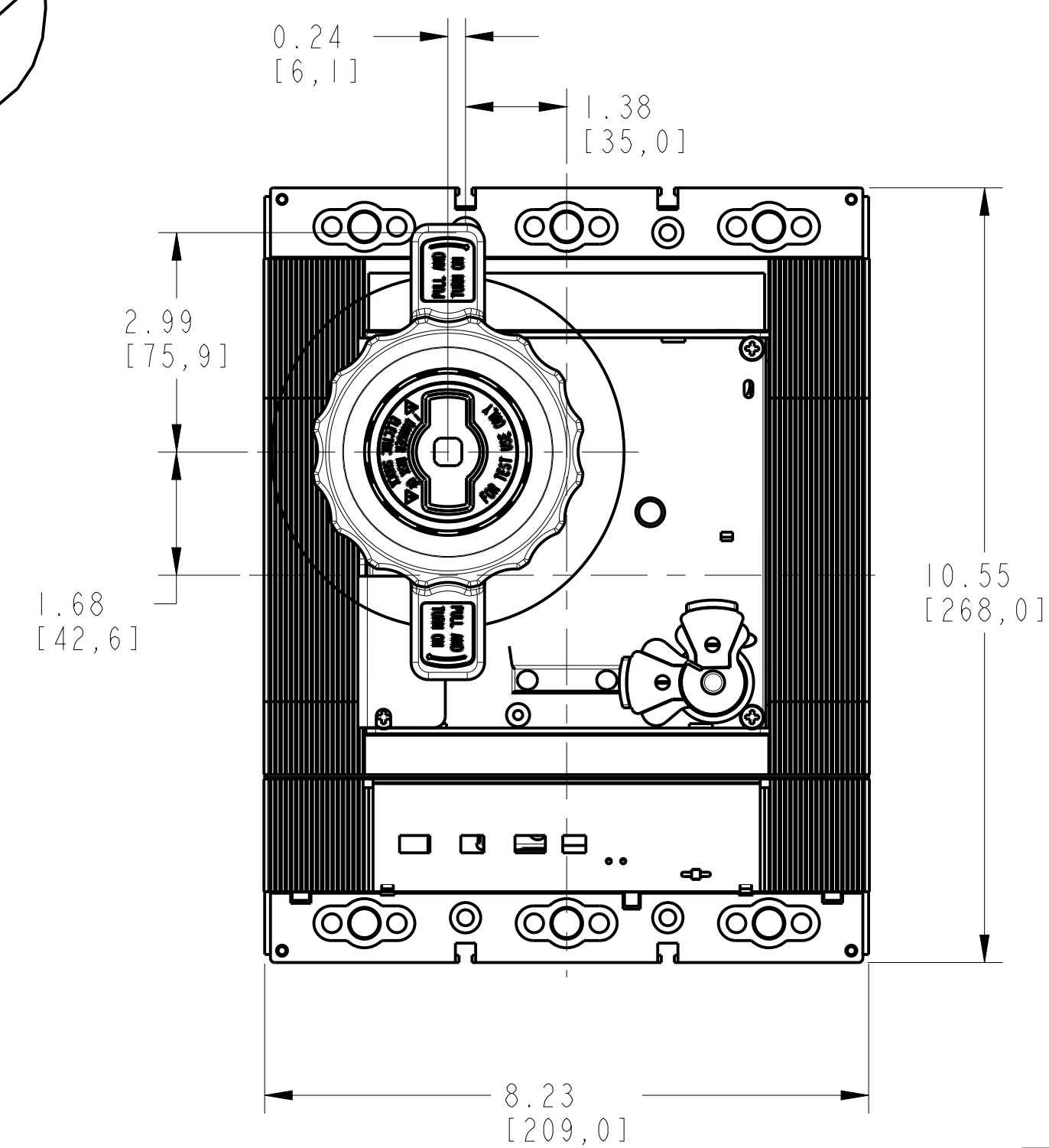
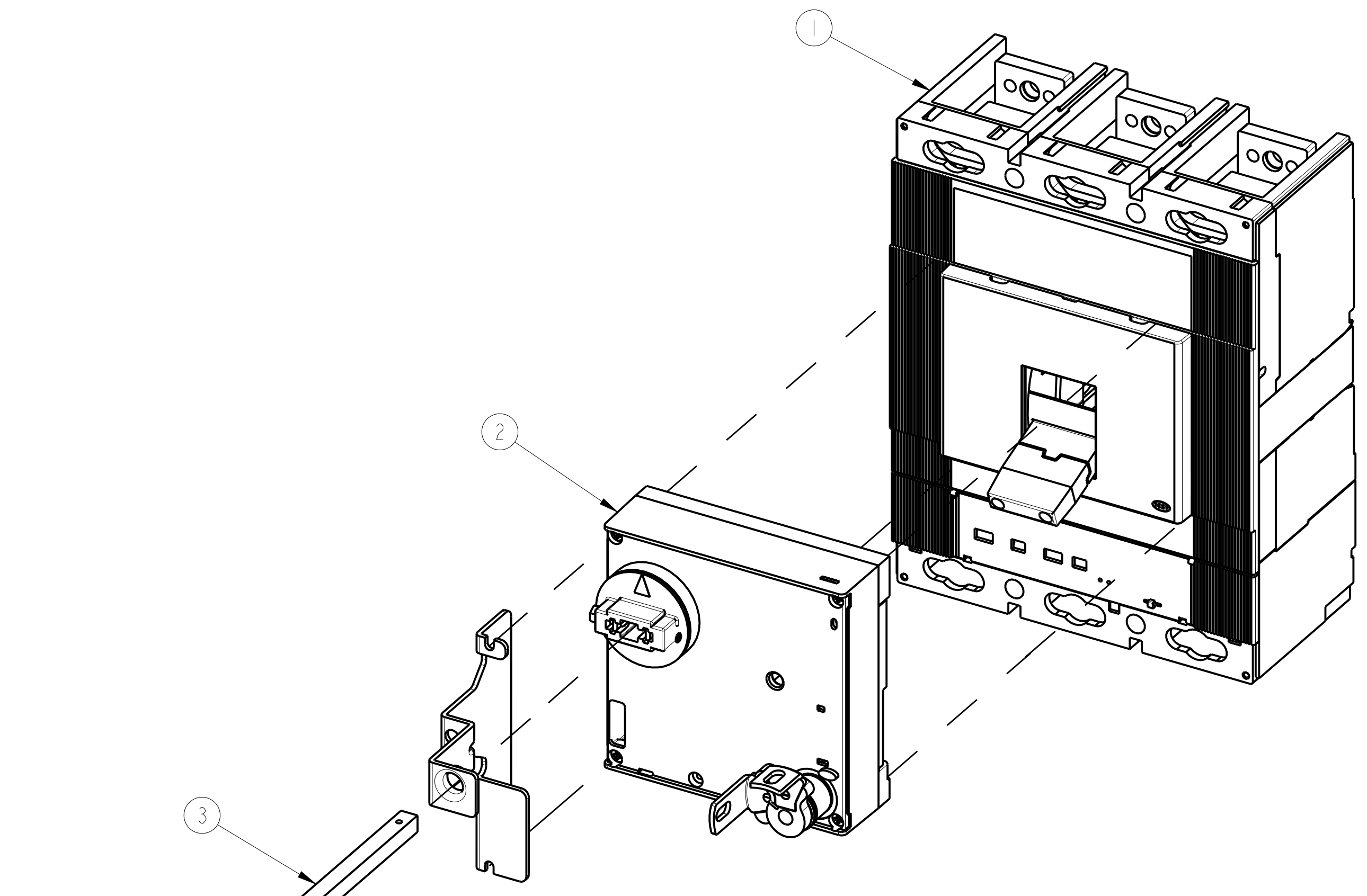
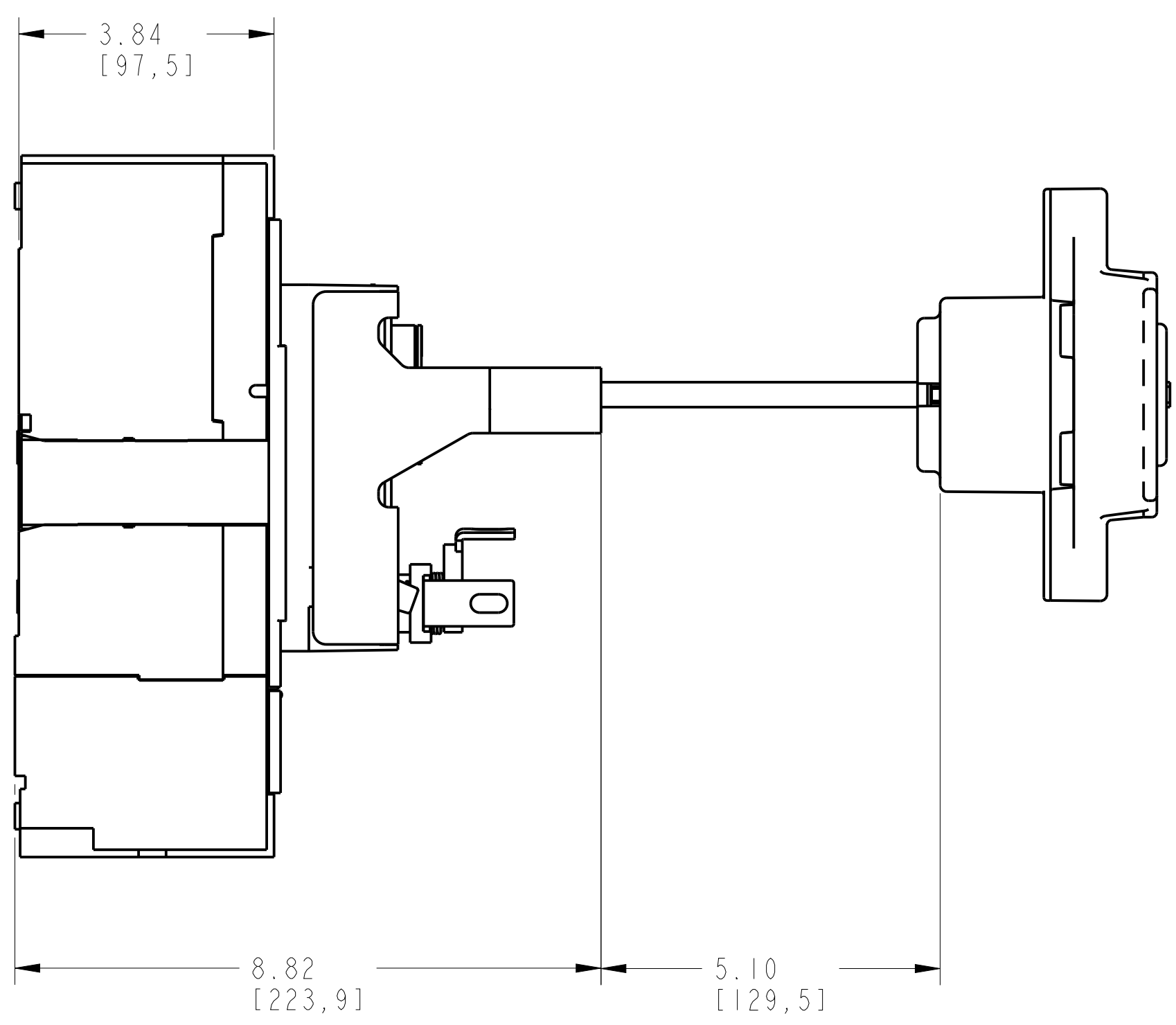
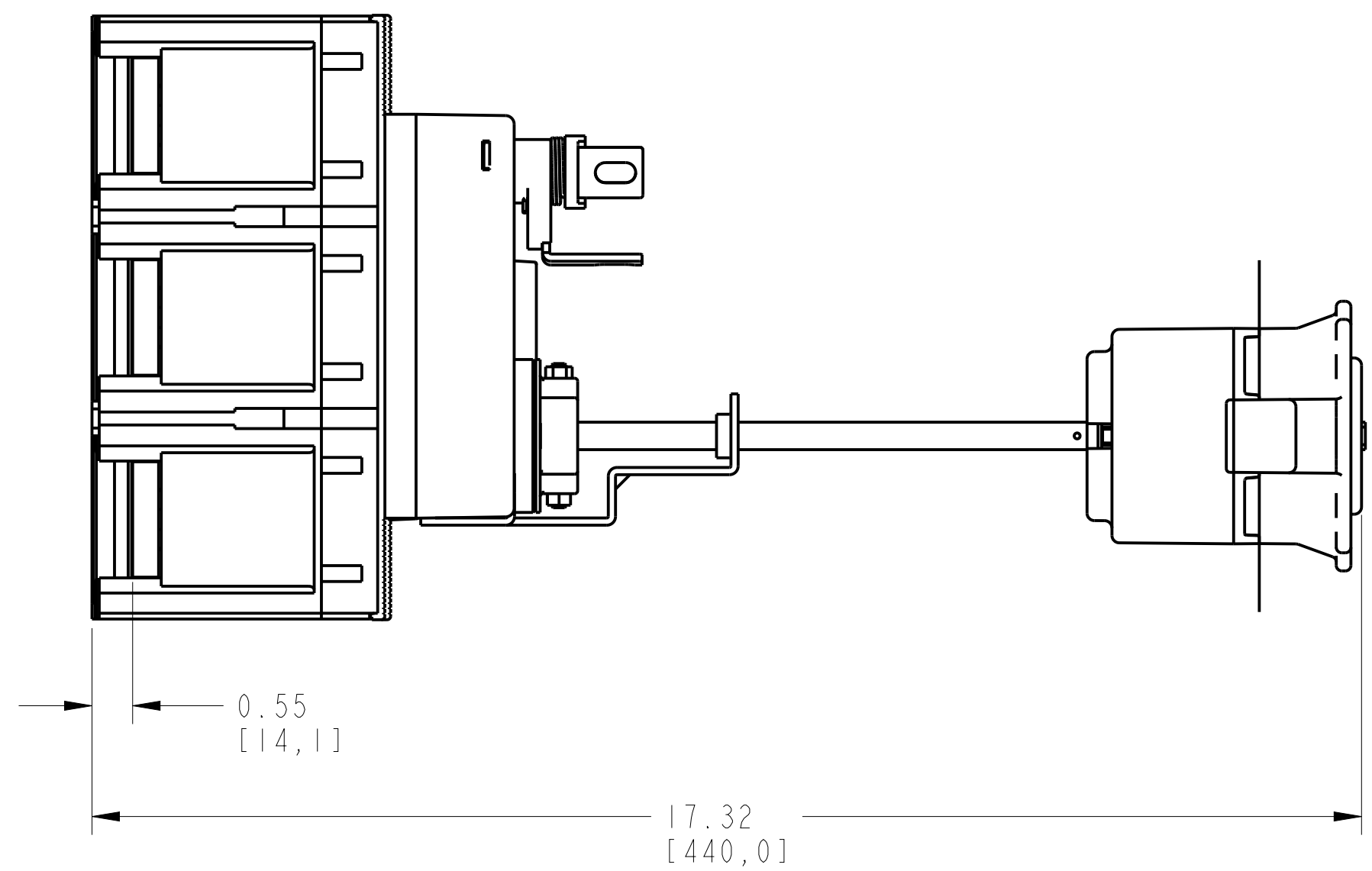


RHE SUPPORT ASSEMBLY			
ITEM	DESCRIPTION	QTY	AB CAT NUMBER
1	MOLDED CASE CIRCUIT BREAKER	1	140G-M-3P CB
2	RHE SUPPORT	1	140G-M-OSB
3	OPERATING SHAFT	1	-

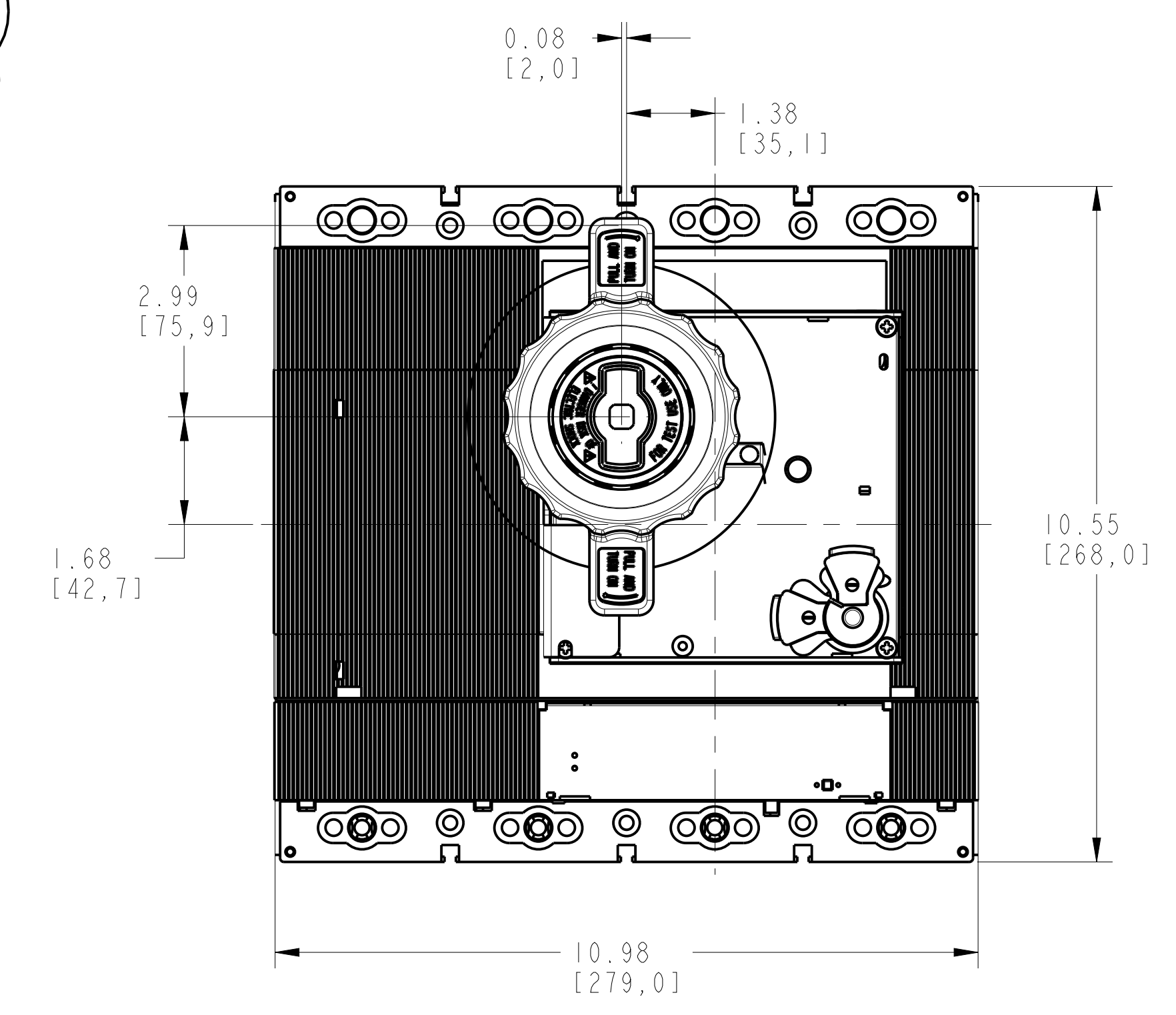
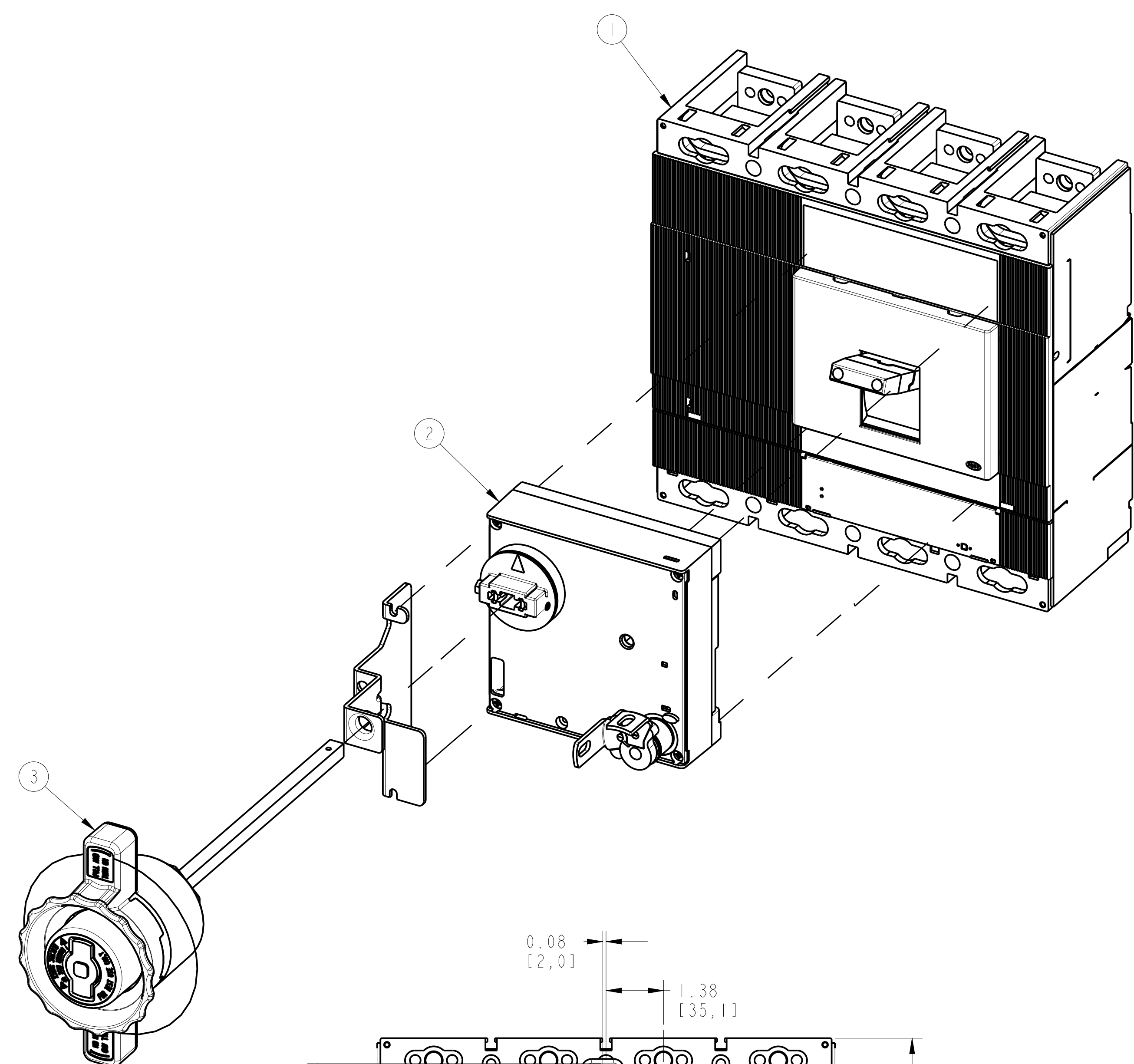
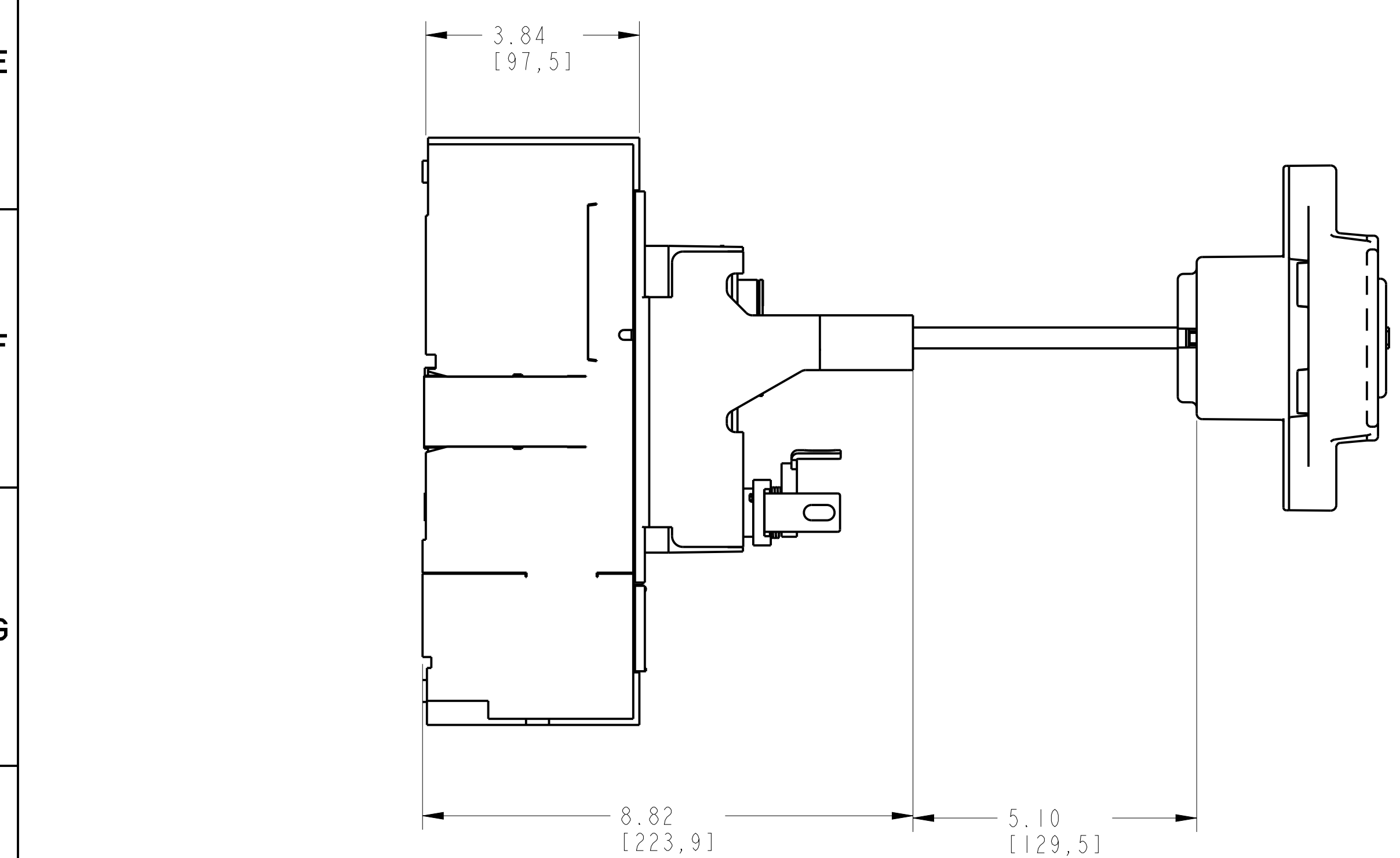
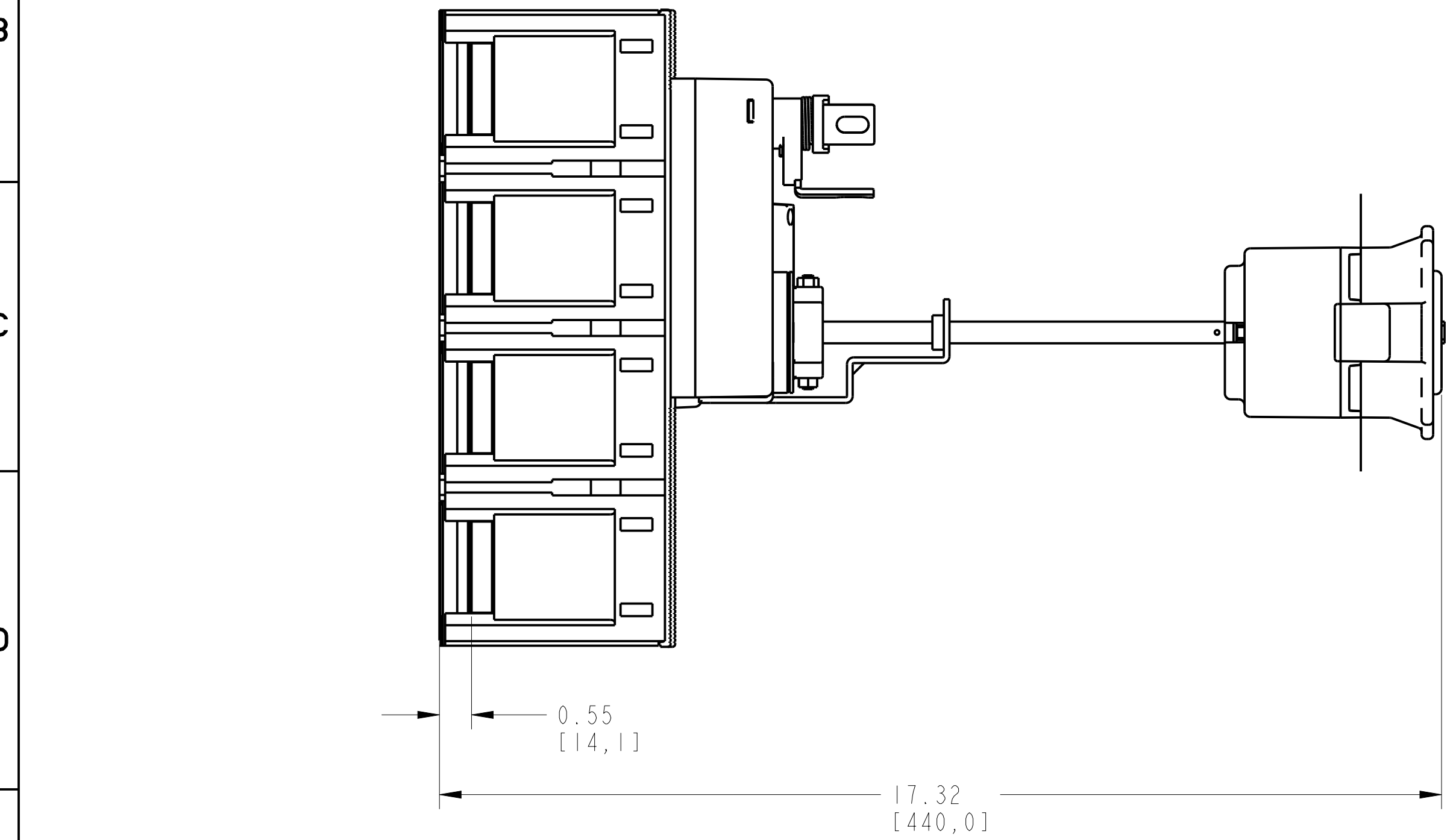


RHE SUPPORT ASSEMBLED TO 140G-M-3-POLE

SCALE 0.5:1

		<small>CONFIDENTIAL AND PROPRIETARY INFORMATION. THIS DOCUMENT CONTAINS CONFIDENTIAL AND PROPRIETARY INFORMATION OF ROCKWELL AUTOMATION, INC. AND MAY NOT BE USED, COPIED OR DISCLOSED TO OTHERS, EXCEPT WITH THE AUTHORIZED WRITTEN PERMISSION OF ROCKWELL AUTOMATION, INC.</small>	
		Sheet 1 Of 3	
RHE ASSEMBLED TO 140G-M-3P & 4P CB		Size <b>D</b>	Part Number <b>1000884195</b>
Drawn by: EBYALIY	Date: NOV-14-2013	Ver <b>00</b>	

RHE SUPPORT ASSEMBLY			
ITEM	DESCRIPTION	QTY	AB CAT NUMBER
1	MOLDED CASE CIRCUIT BREAKER	1	140G-M-4P CB
2	RHE SUPPORT	1	140G-M-OSB
3	OPERATING SHAFT	1	-



RHE SUPPORT ASSEMBLED TO 140G-M-4-POLE  
SCALE 0.5:1

		<small>CONFIDENTIAL AND PROPRIETARY INFORMATION. THIS DOCUMENT CONTAINS CONFIDENTIAL AND PROPRIETARY INFORMATION OF ROCKWELL AUTOMATION, INC. AND MAY NOT BE USED, COPIED OR DISCLOSED TO OTHERS, EXCEPT WITH THE AUTHORIZED WRITTEN PERMISSION OF ROCKWELL AUTOMATION, INC.</small>	
		Sheet 2 Of 3	
RHE ASSEMBLED TO 140G-M-3P & 4P CB		Size <b>D</b>	Part Number <b>10000884195</b>
Drawn by: EBYALIY	Date: NOV-14-2013	Ver <b>00</b>	

1

2

3

4

5

6

7

8

A

B

C

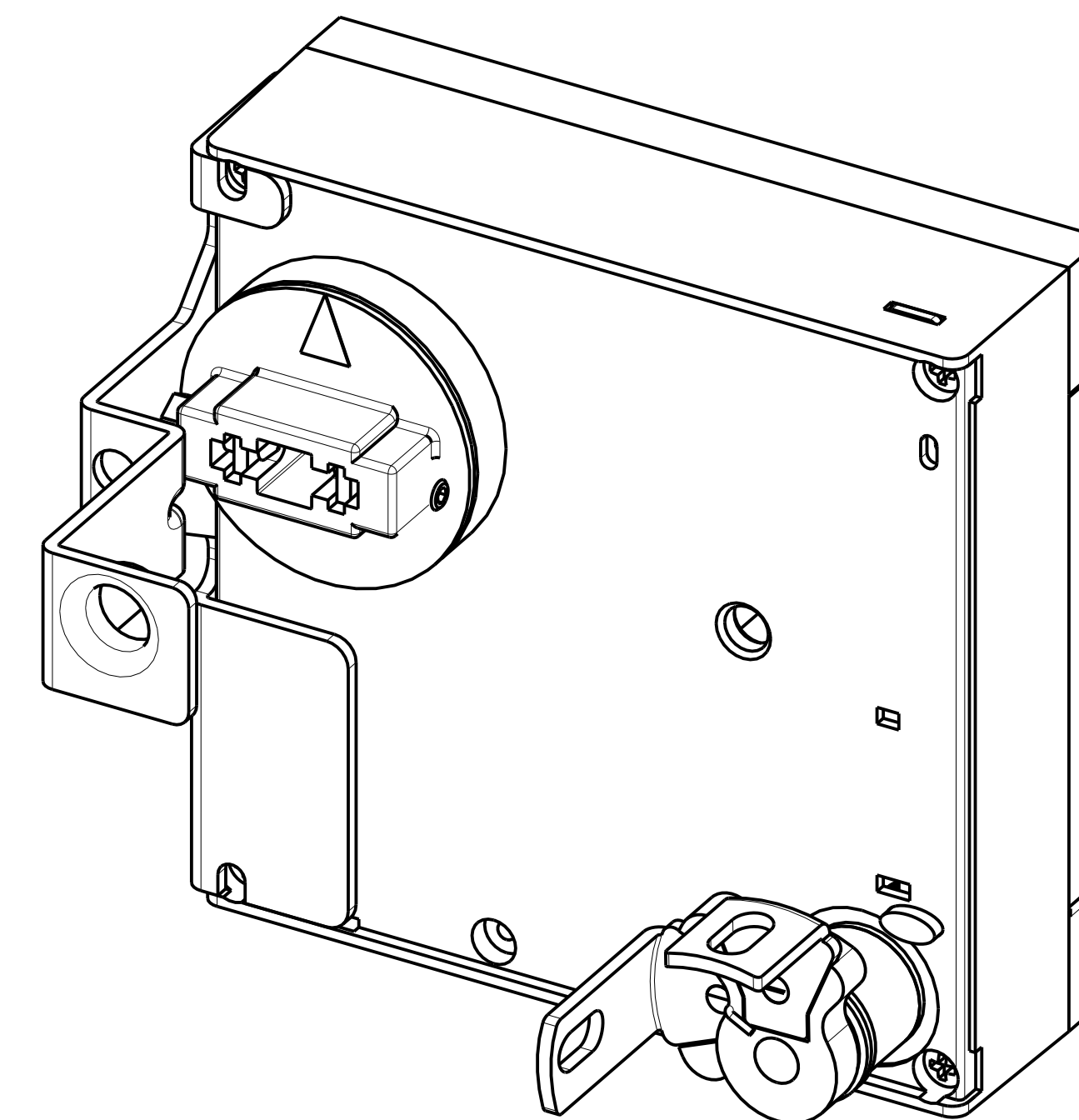
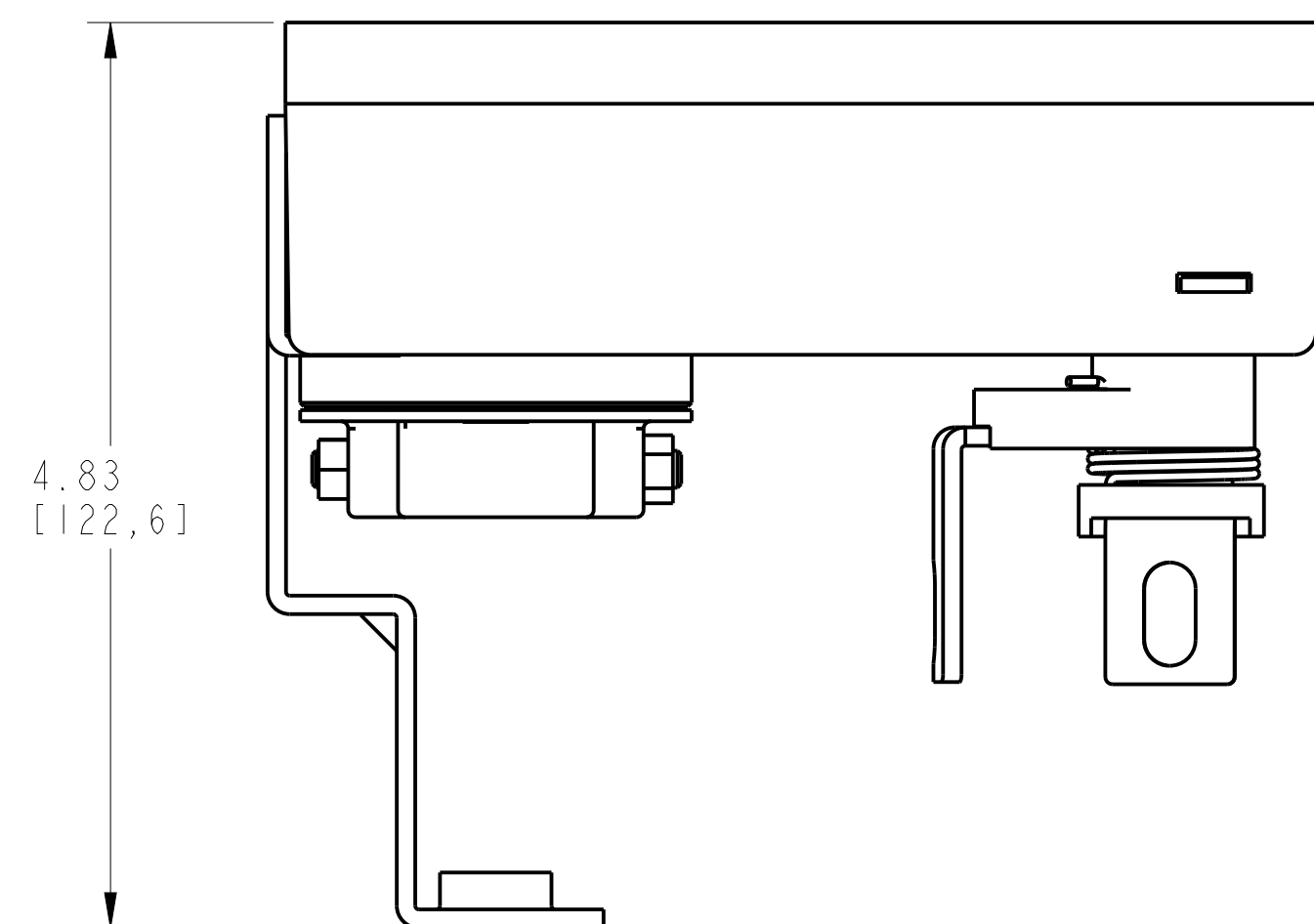
D

E

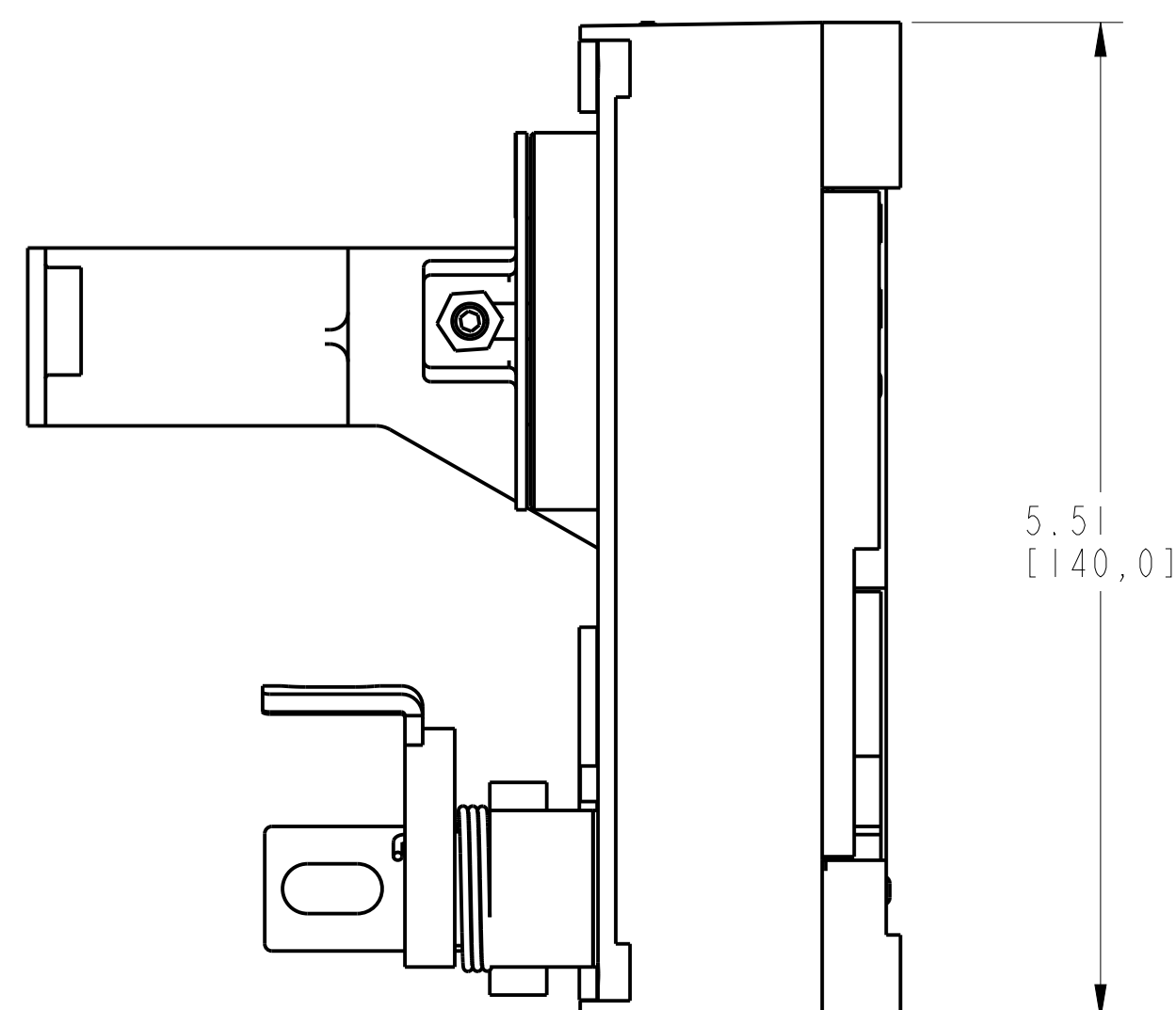
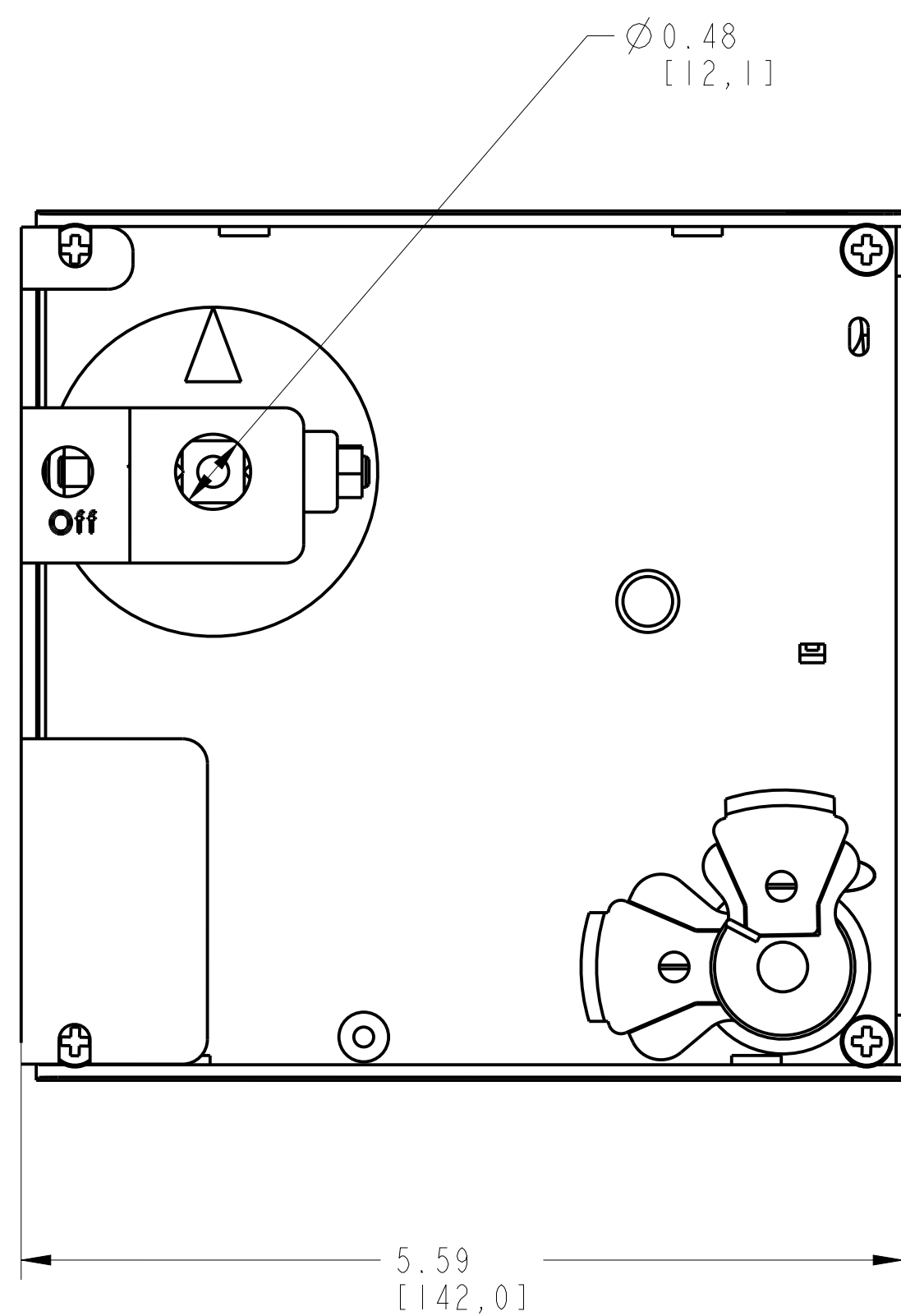
F

G

H



ISOMETRIC VIEW



ITEM 2 : RHE SUPPORT  
SCALE 1:1

		<small>CONFIDENTIAL AND PROPRIETARY INFORMATION THIS DOCUMENT CONTAINS CONFIDENTIAL AND PROPRIETARY INFORMATION OF ROCKWELL AUTOMATION, INC. AND MAY NOT BE USED, COPIED OR DISCLOSED TO OTHERS, EXCEPT WITH THE AUTHORIZED WRITTEN PERMISSION OF ROCKWELL AUTOMATION, INC.</small>	
		Sheet 3 Of 3	
RHE ASSEMBLED TO 140G-M-3P & 4P CB		Size <b>D</b>	Ver <b>00</b>
Drawn by: EBYALIY	Date: NOV-14-2013	<b>10000884195</b>	