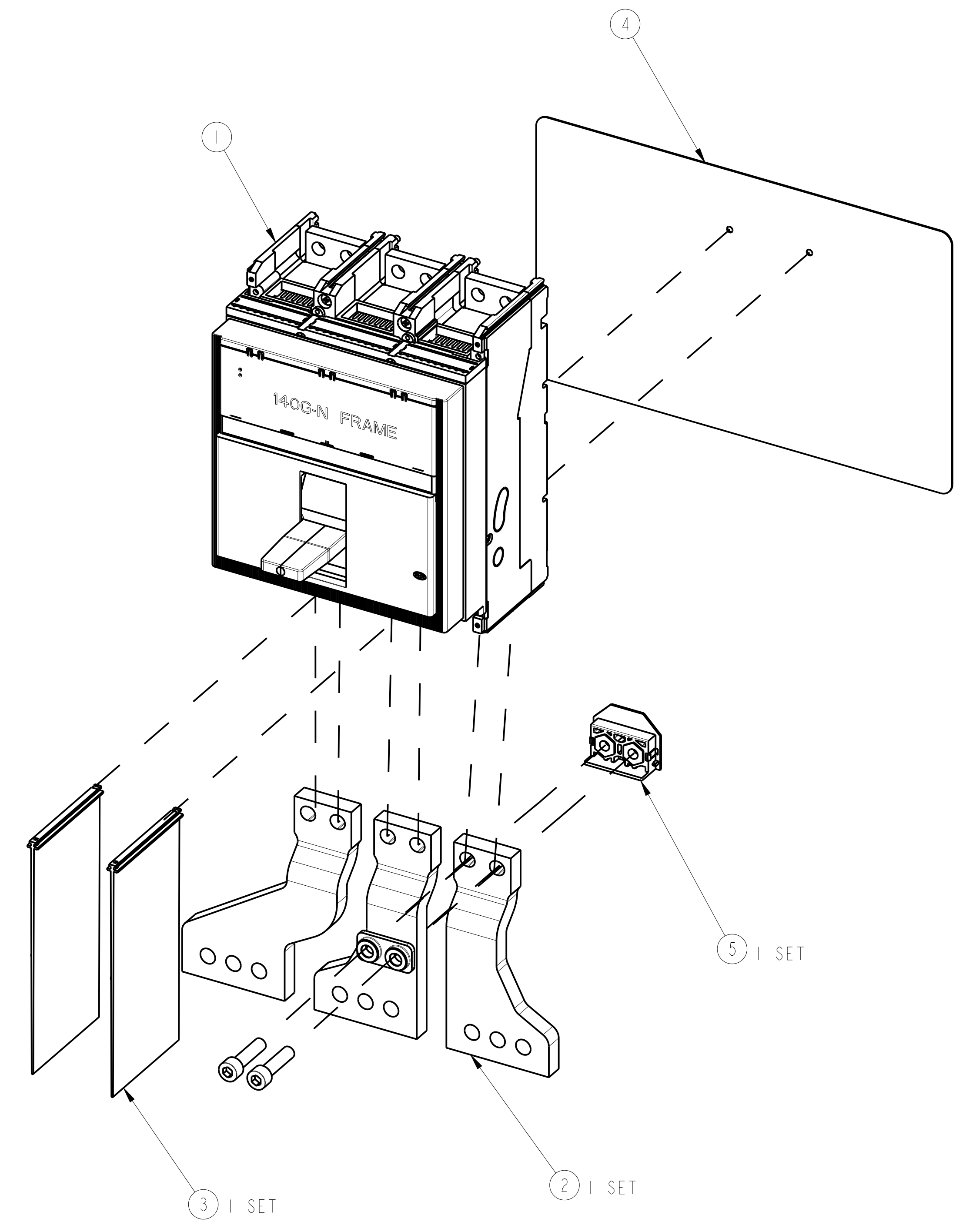
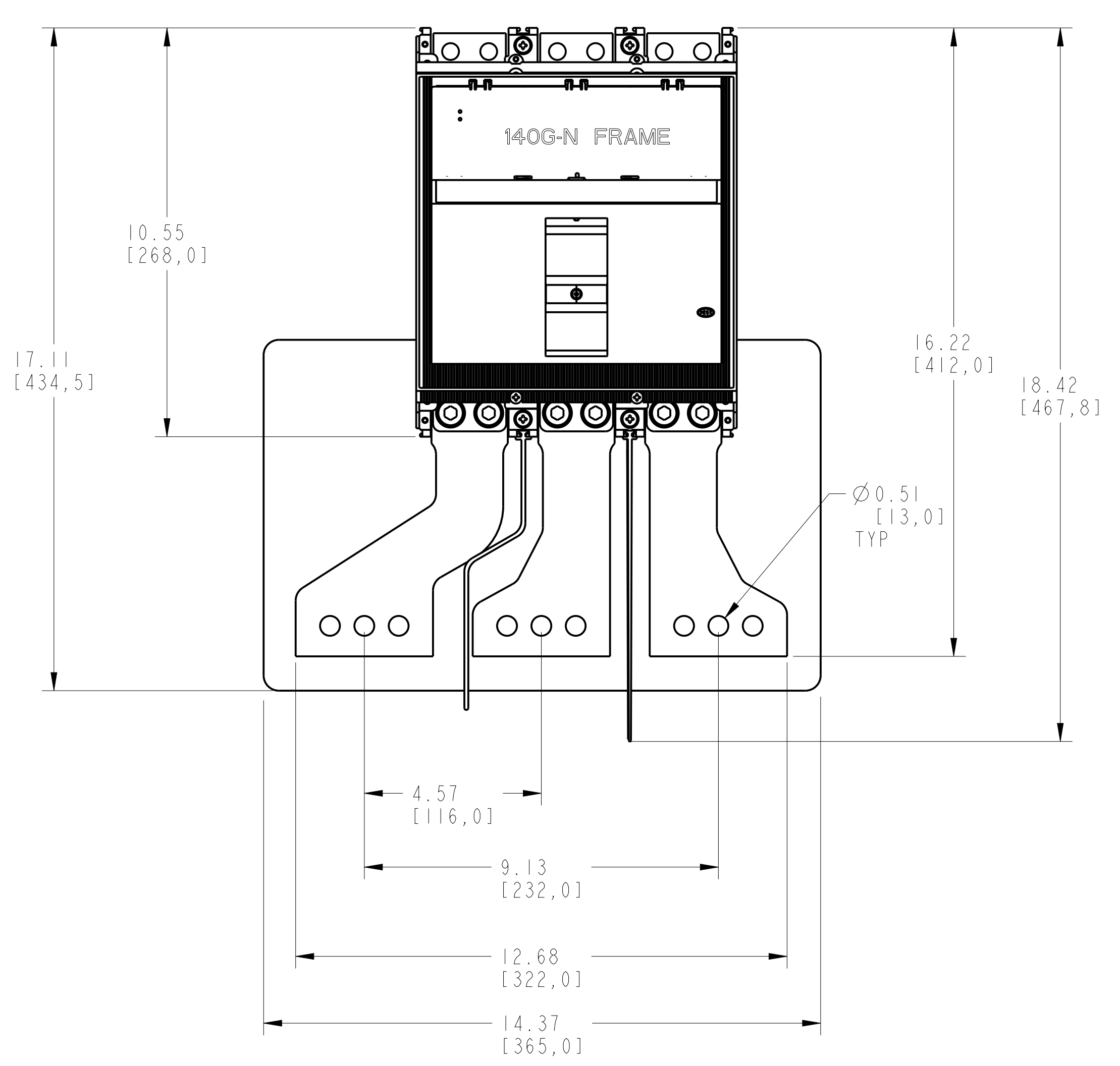
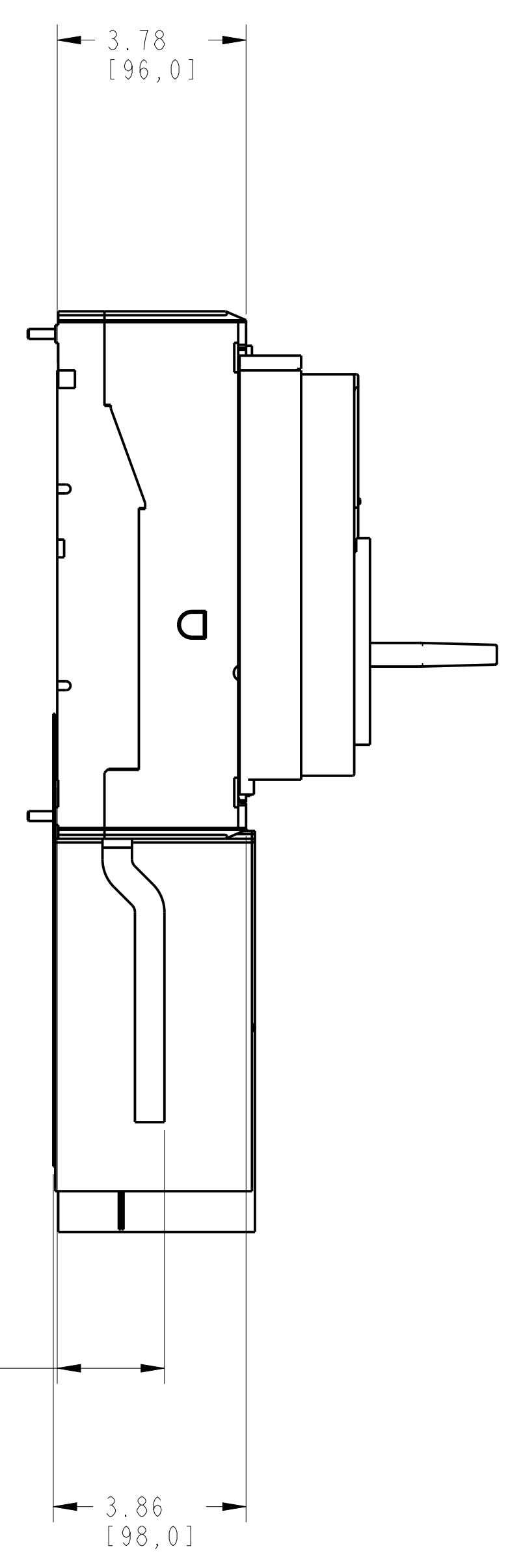
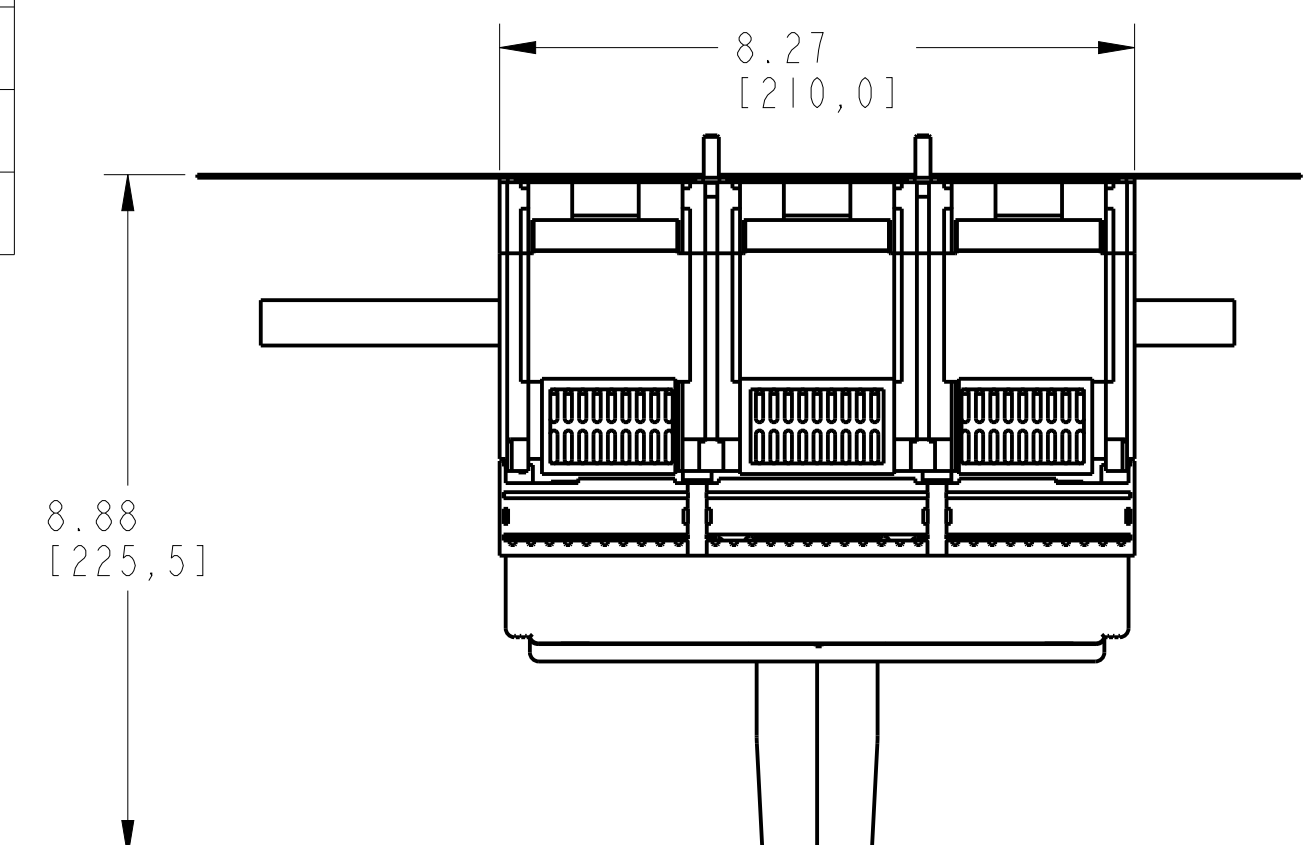


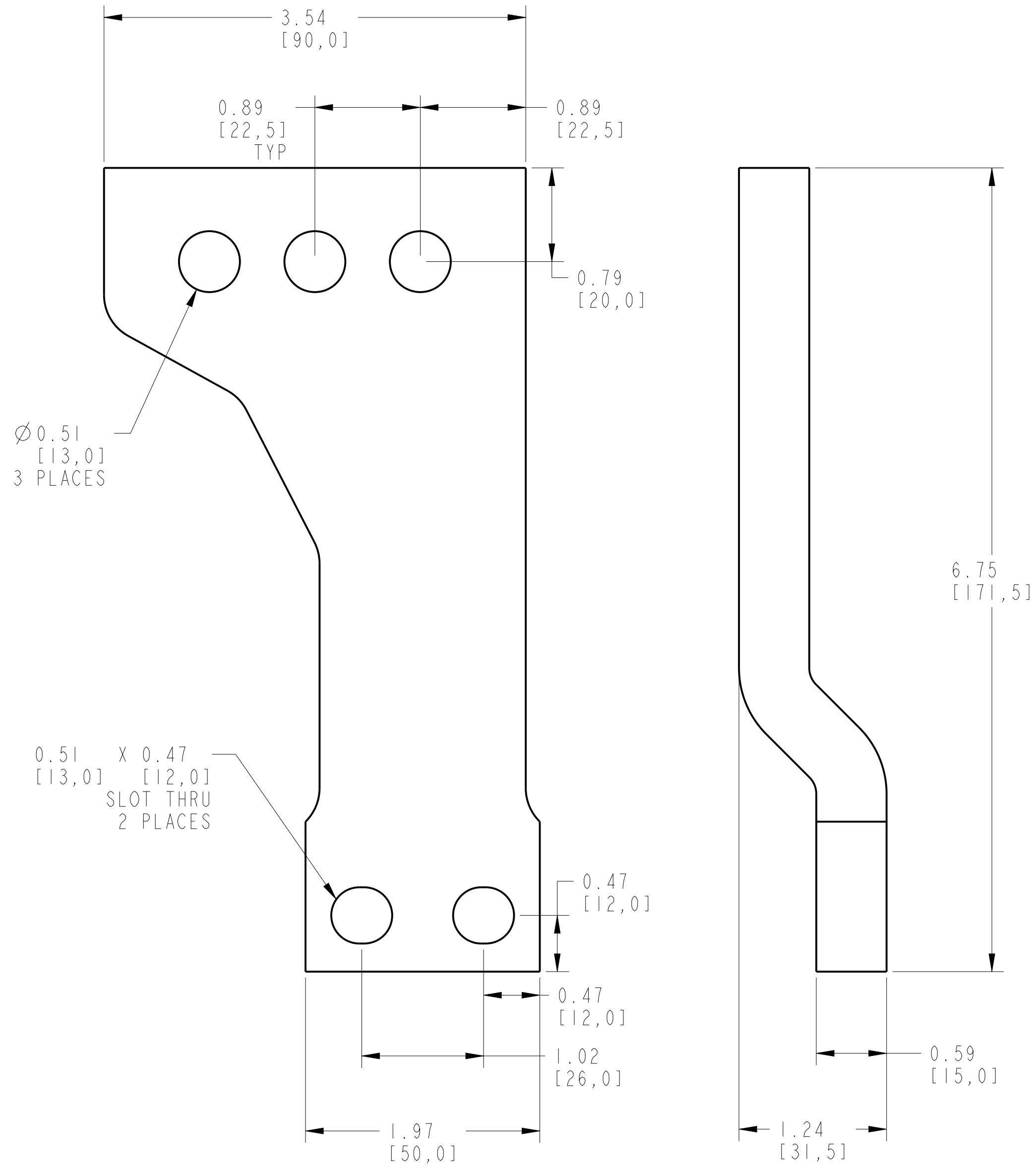
FRONT SPREADER TERMINAL (LOW) 3P ASSEMBLY			
ITEM	DESCRIPTION	QTY	AB CAT NUMBER
1	MOLDED CASE CIRCUIT BREAKER	1	140G-N-3P CB
2	FRONT SPREADER TERMINAL (LOW) 3P (3 PCS)	1 SET	140G-N-EXSLO3
3	PHASE BARRIERS HIGH 3 POLE (2 PCS)	1 SET	140G-N-PB3H
4	INSULATION BACK PLATE	1	-
5	ENDCAP ASSEMBLY (3 PCS)	1 SET	-



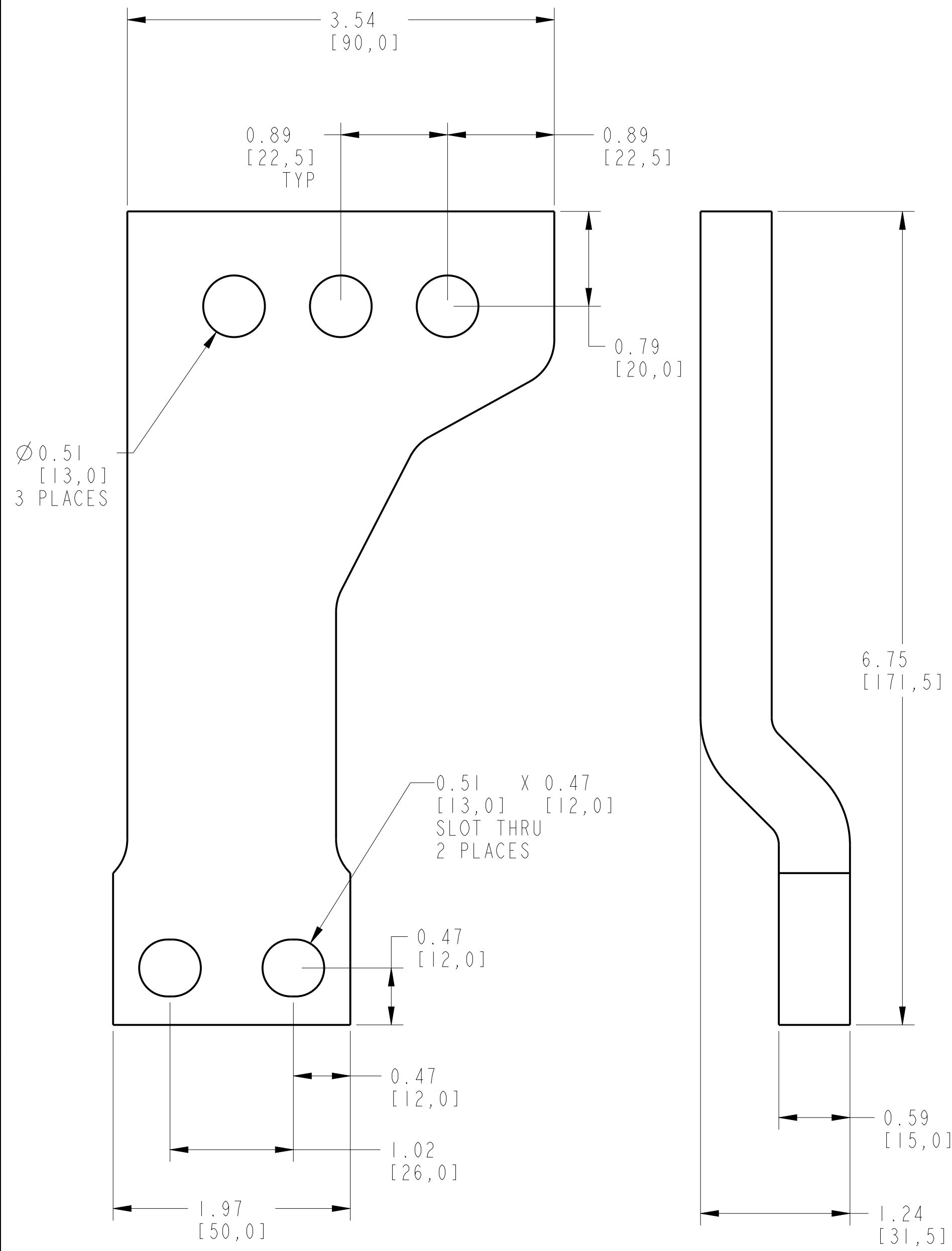
FRONT SPREADER TERMINAL (LOW) 3P ASSEMBLED TO 140G-N-3-POLE

SCALE 0.4:1

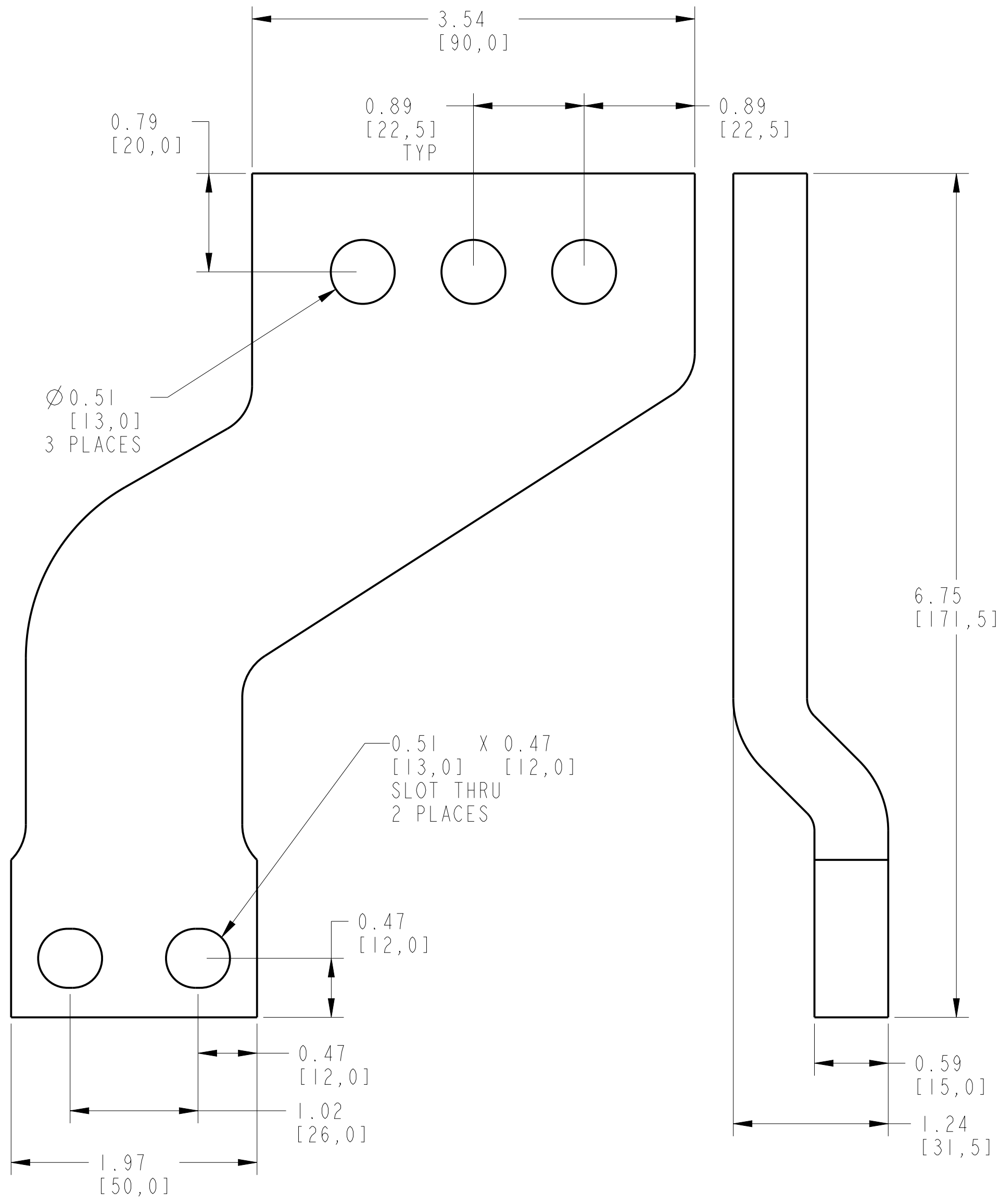
		<small>CONFIDENTIAL AND PROPRIETARY INFORMATION. THIS DOCUMENT CONTAINS CONFIDENTIAL AND PROPRIETARY INFORMATION OF ROCKWELL AUTOMATION, INC. AND MAY NOT BE USED, COPIED OR DISCLOSED TO OTHERS, EXCEPT WITH THE AUTHORIZED WRITTEN PERMISSION OF ROCKWELL AUTOMATION, INC.</small>	
		Sheet 1 of 2	
SPRDR TERMINAL ASSEMBLED TO 140G-N-3P CB		Size <b>D</b>	Ver <b>00</b>
Drawn by: UMUNUSW	Date: 19-Dec-13	<b>10000909595</b>	



ITEM 2 : FRONT SPREADER TERMINAL LH END  
SCALE 1.25:1



ITEM 2 : FRONT SPREADER TERMINAL MIDDLE  
SCALE 1.25:1



ITEM 2 : FRONT SPREADER TERMINAL RH END  
SCALE 1.25:1