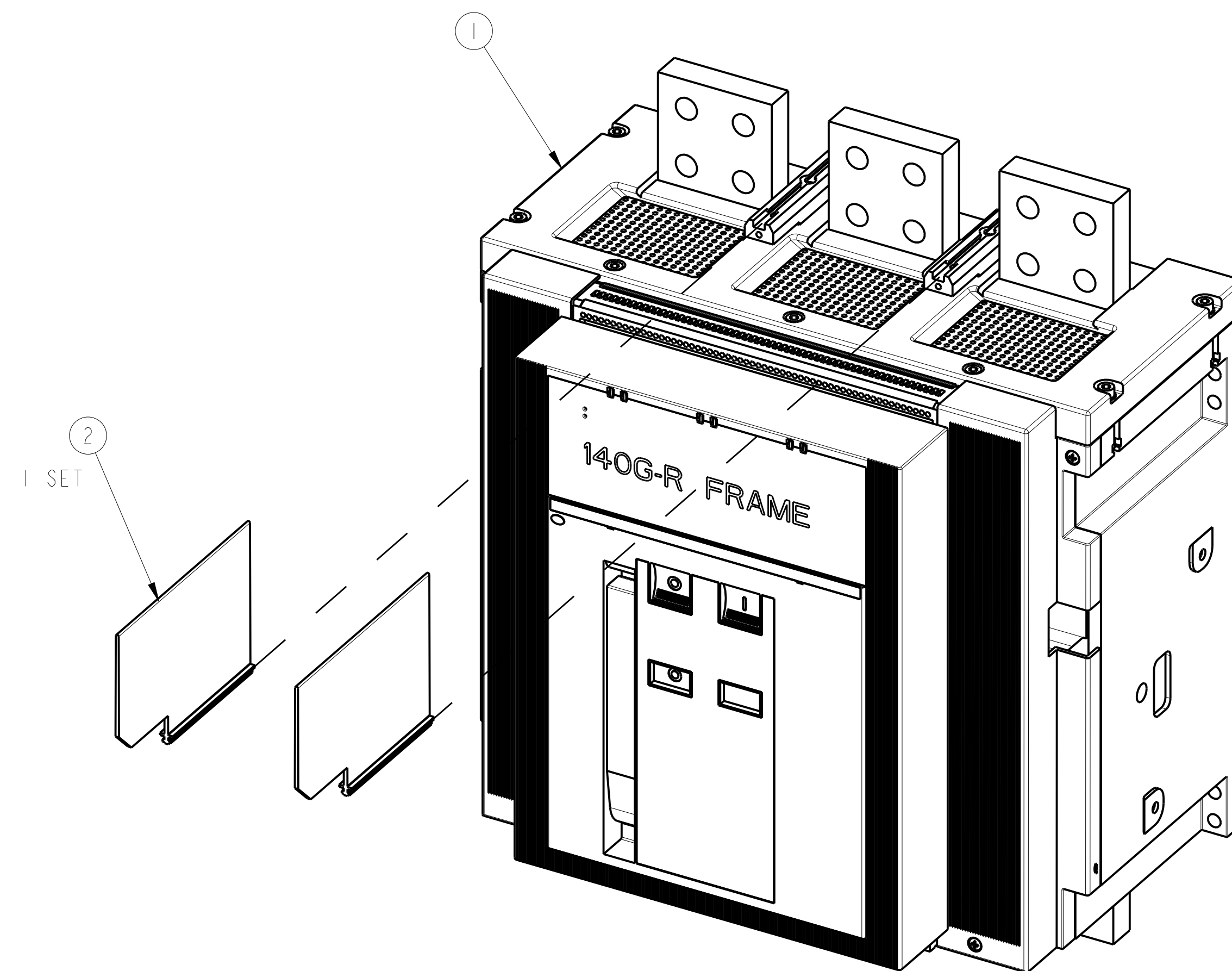
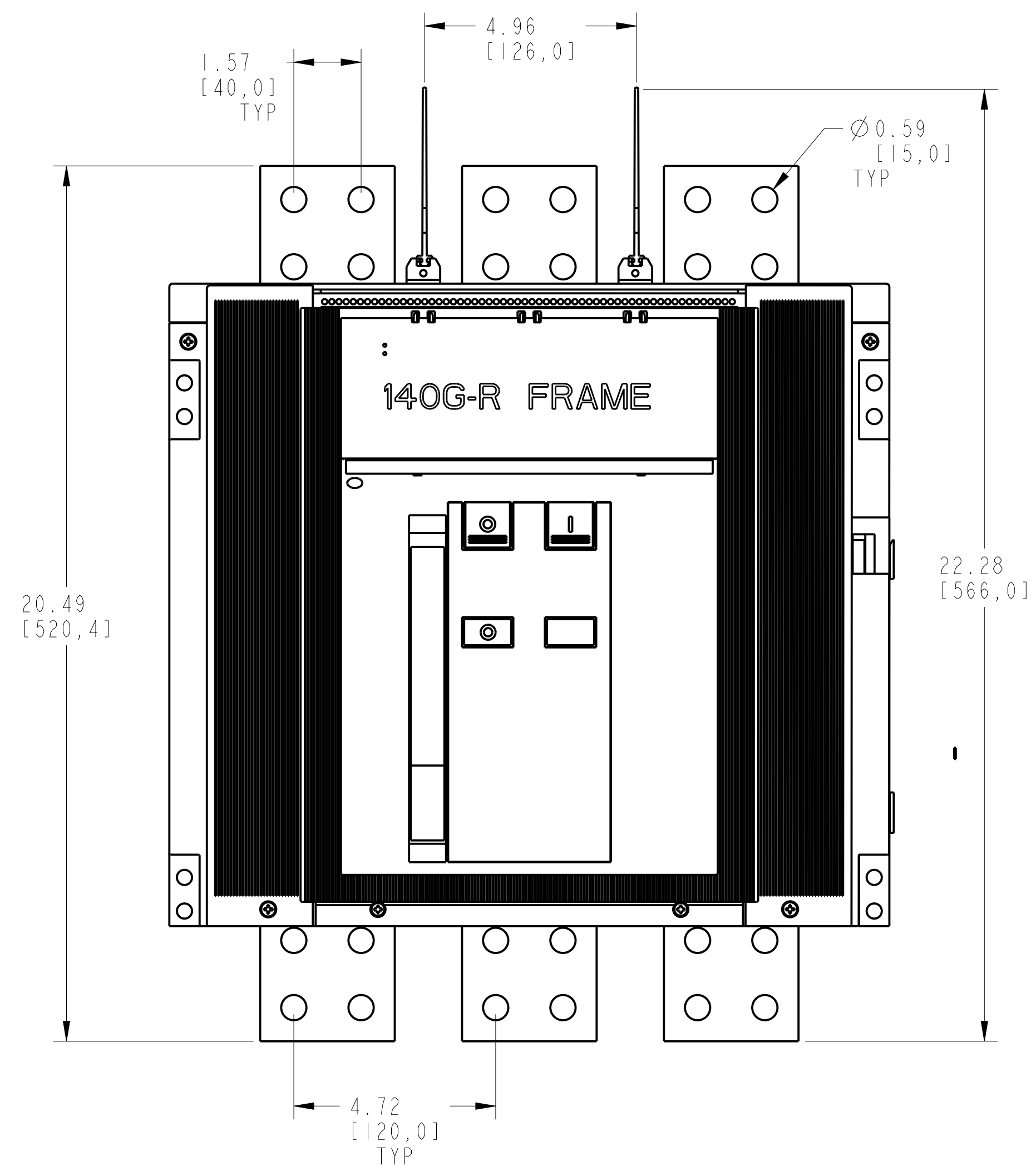
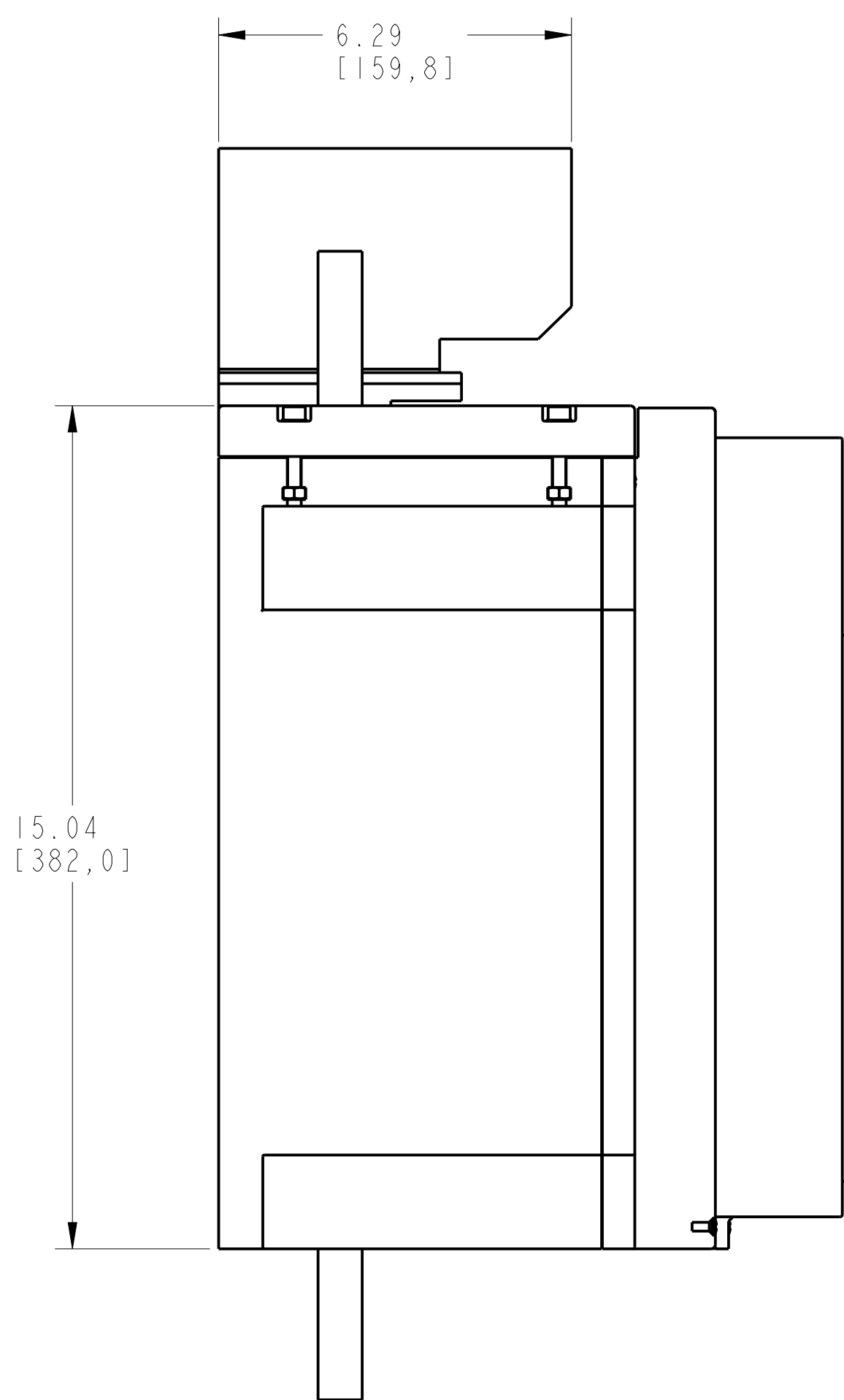
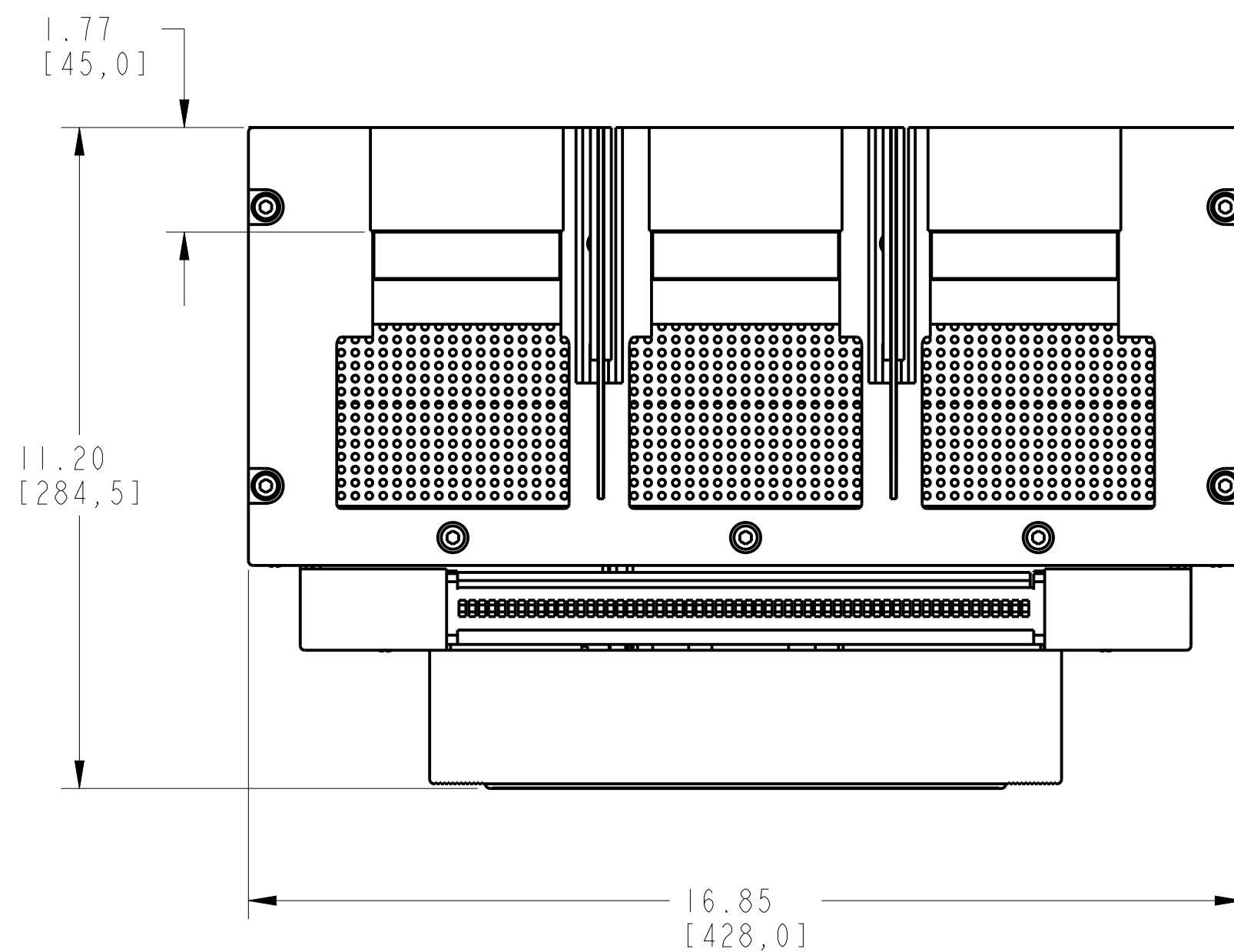


PHASE BARRIER LOW ASSEMBLY

ITEM	DESCRIPTION	QTY	AB CAT NUMBER
1	MOLDED CASE CIRCUIT BREAKER	1	140G-R-3P CB
2	PHASE BARRIER LOW (2 PCS)	1 SET	140G-R-PB3L



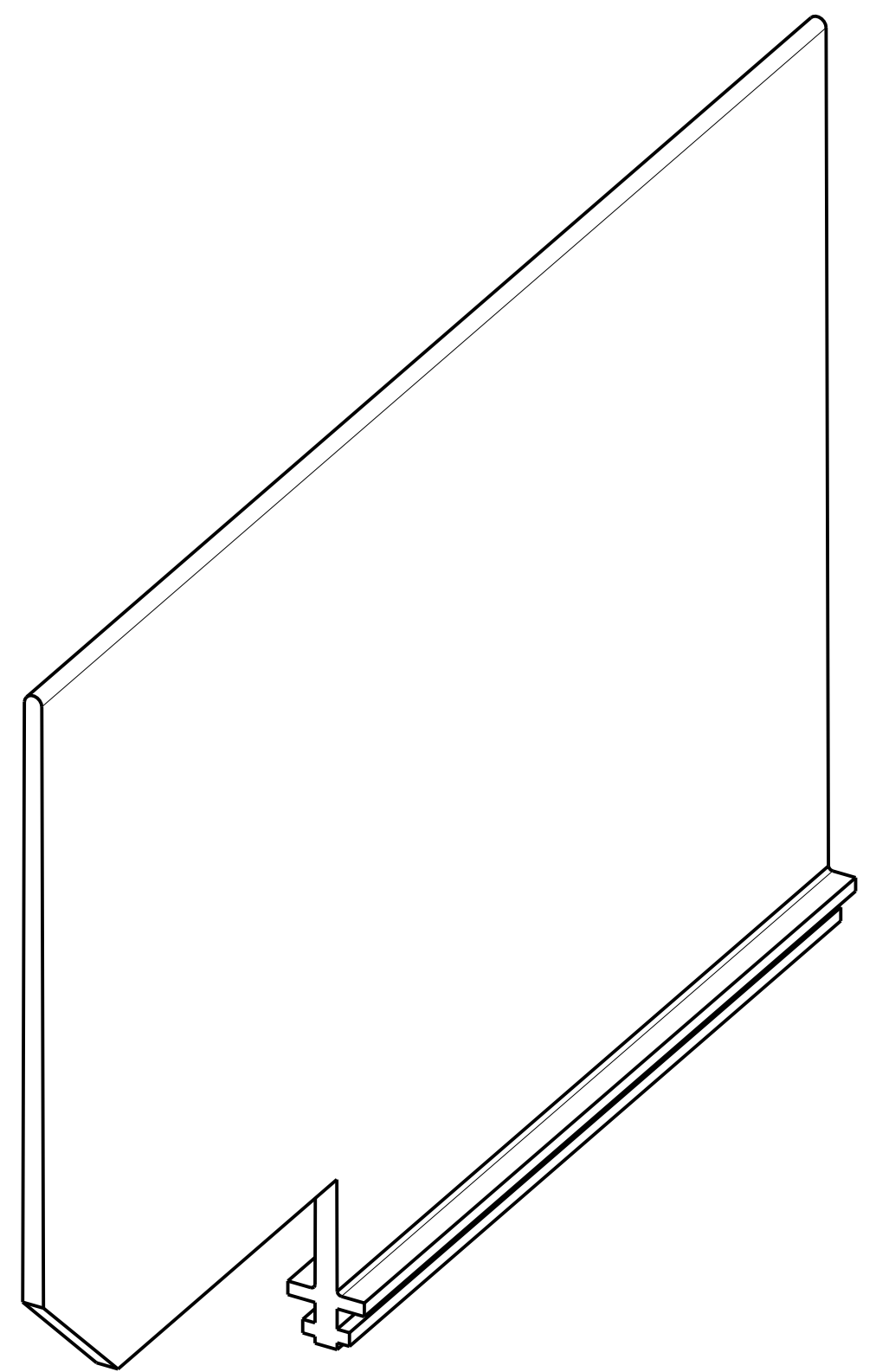
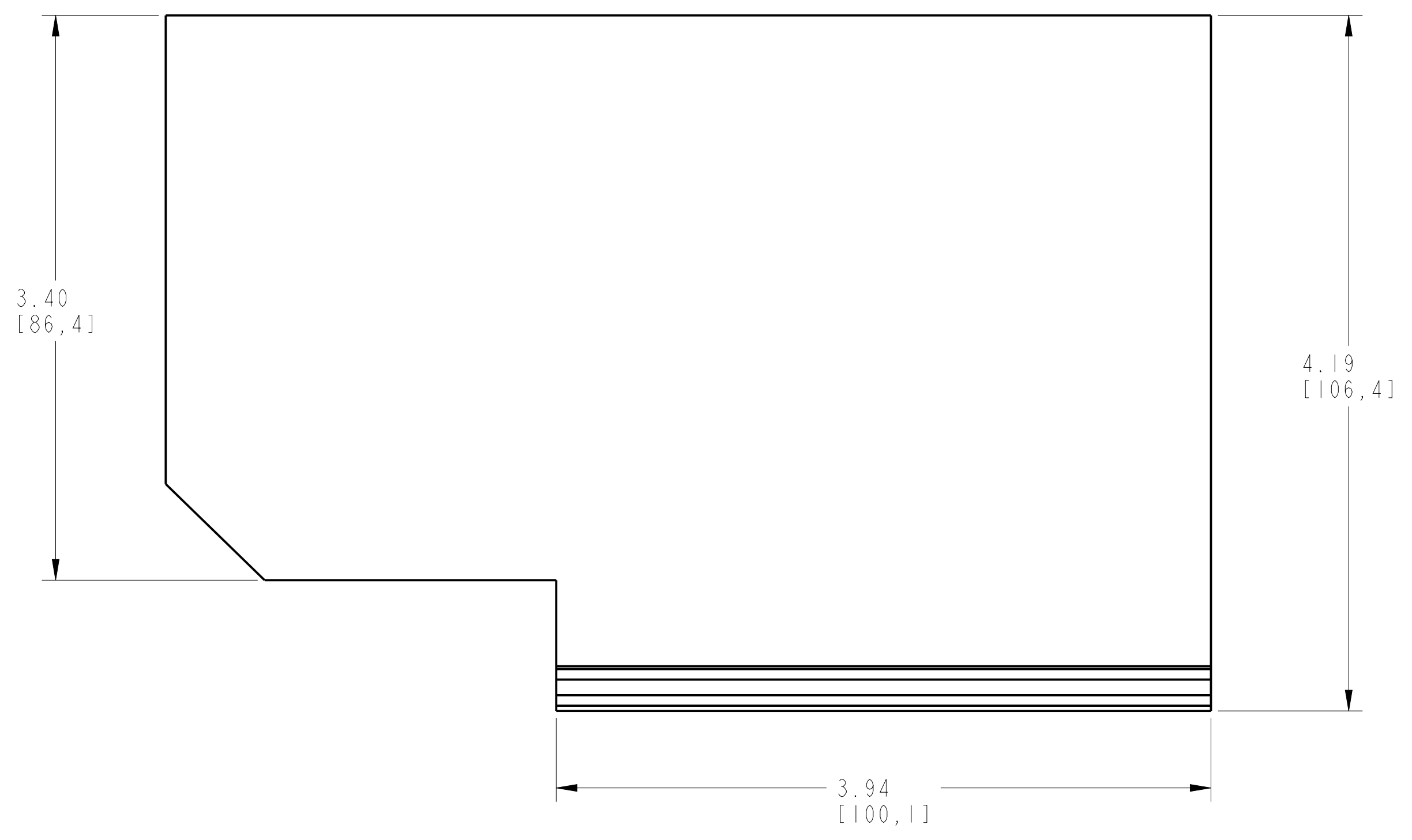
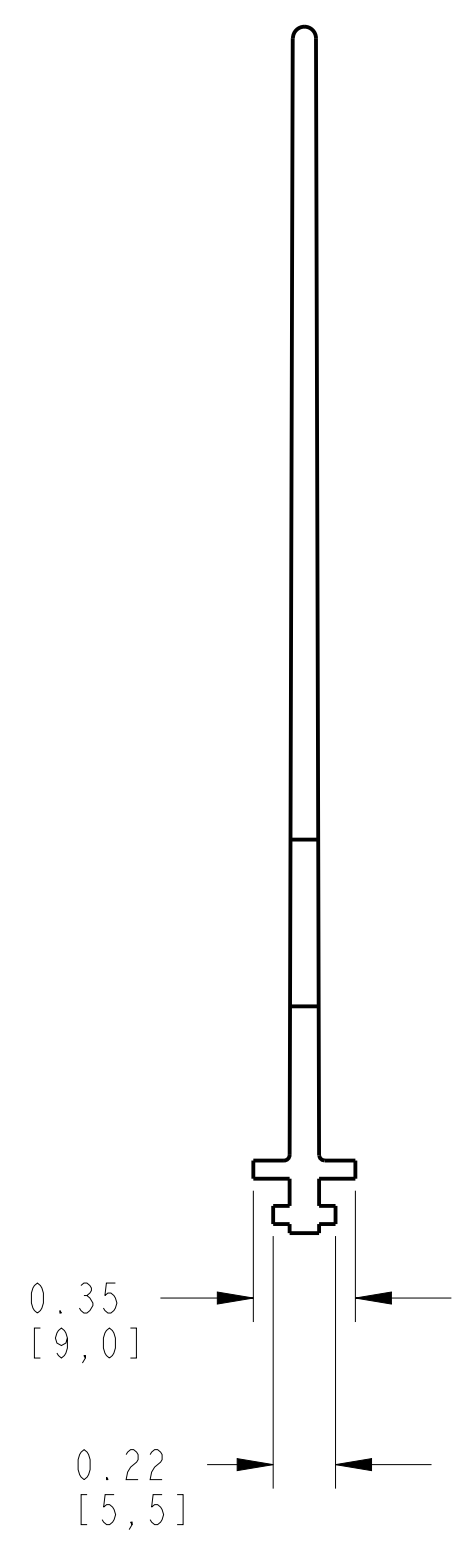
PHASE BARRIER LOW ASSEMBLED TO 140G-R-3-POLE

SCALE 0.4 : 1

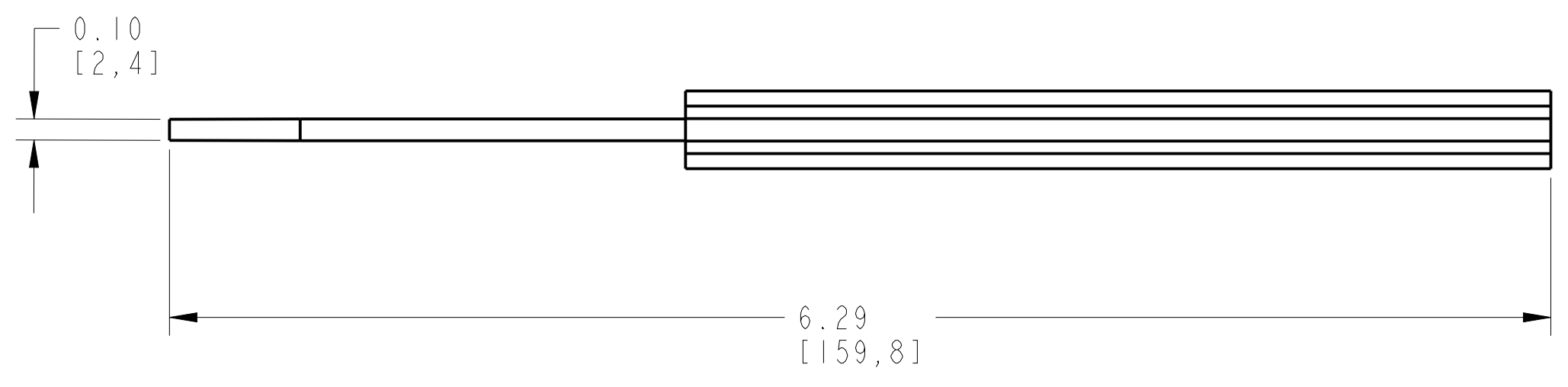
	<small>CONFIDENTIAL AND PROPRIETARY INFORMATION THIS DOCUMENT CONTAINS CONFIDENTIAL AND PROPRIETARY INFORMATION OF ROCKWELL AUTOMATION, INC. AND MAY NOT BE USED, COPIED OR DISCLOSED TO OTHERS, EXCEPT WITH THE AUTHORIZED WRITTEN PERMISSION OF ROCKWELL AUTOMATION, INC.</small>	
	Sheet 1 Of 2	Ver
PB LOW ASSEMBLED TO 140G-R-3P CB	D	10000886391 00
Drawn by: UMUNUSW	Date: 11-15-13	

1 2 3 4 5 6 7 8

A
B
C
D
E
F
G
H



ISOMETRIC VIEW



ITEM 2 : PHASE BARRIER LOW
SCALE 1.5 : 1

		<small>CONFIDENTIAL AND PROPRIETARY INFORMATION THIS DOCUMENT CONTAINS CONFIDENTIAL AND PROPRIETARY INFORMATION OF ROCKWELL AUTOMATION, INC. AND MAY NOT BE USED, COPIED OR DISCLOSED TO OTHERS, EXCEPT WITH THE AUTHORIZED WRITTEN PERMISSION OF ROCKWELL AUTOMATION, INC.</small>	
		Sheet 2 Of 2	
PB LOW ASSEMBLED TO 140G-R-3P CB		Size D	Ver 00
Drawn by: UMUNUSW	Date: 11-15-13	10000886391	