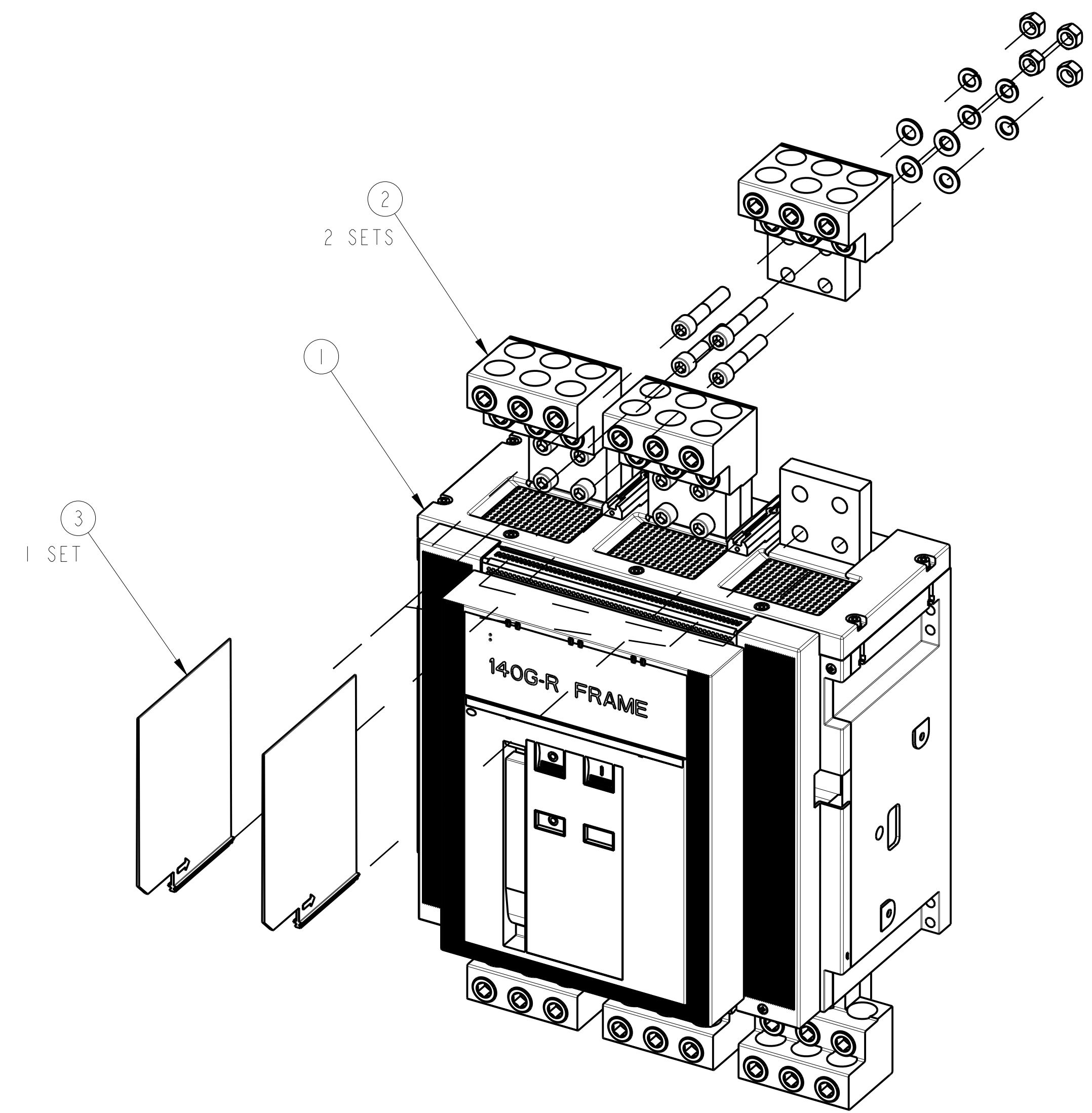
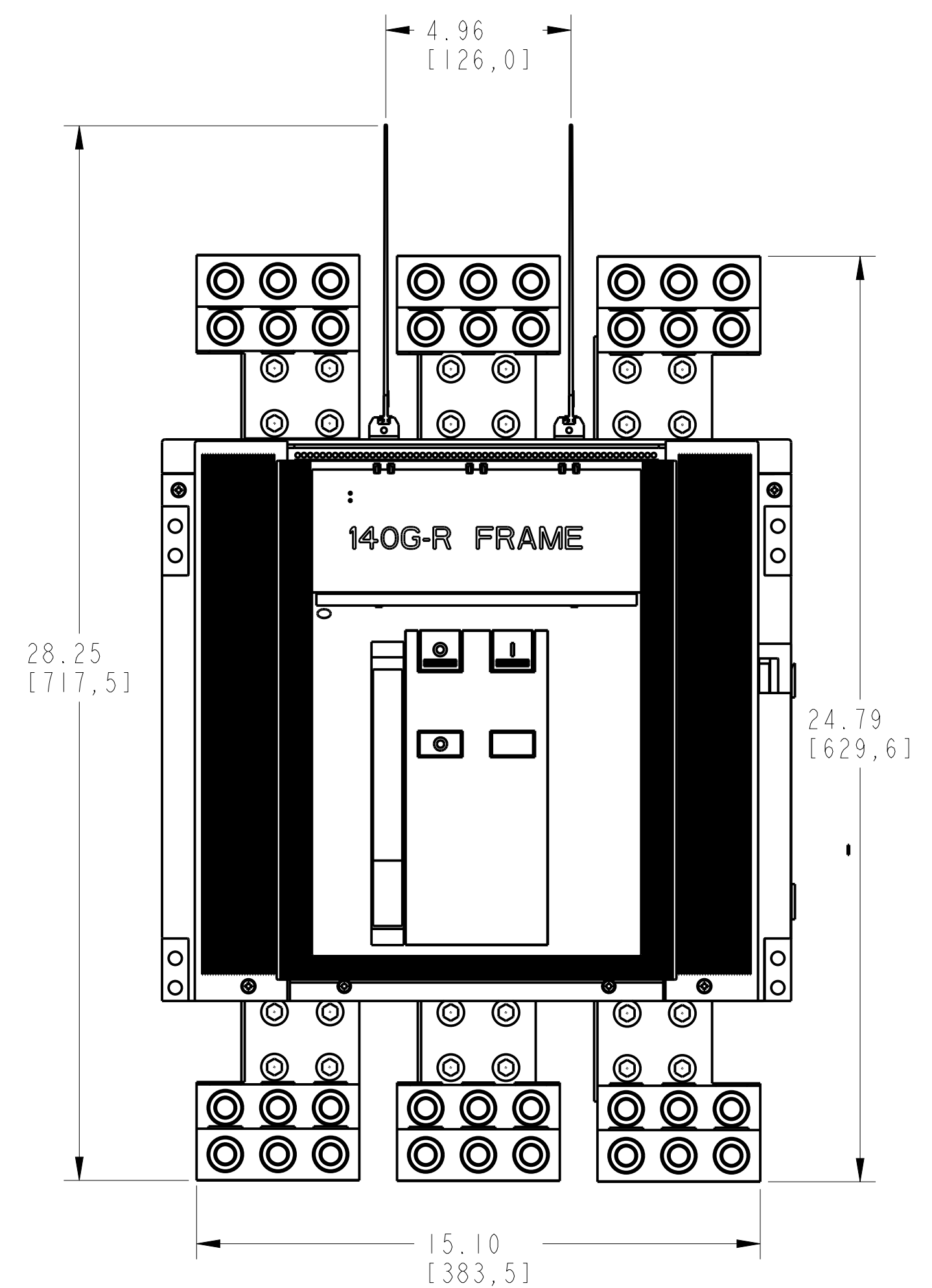
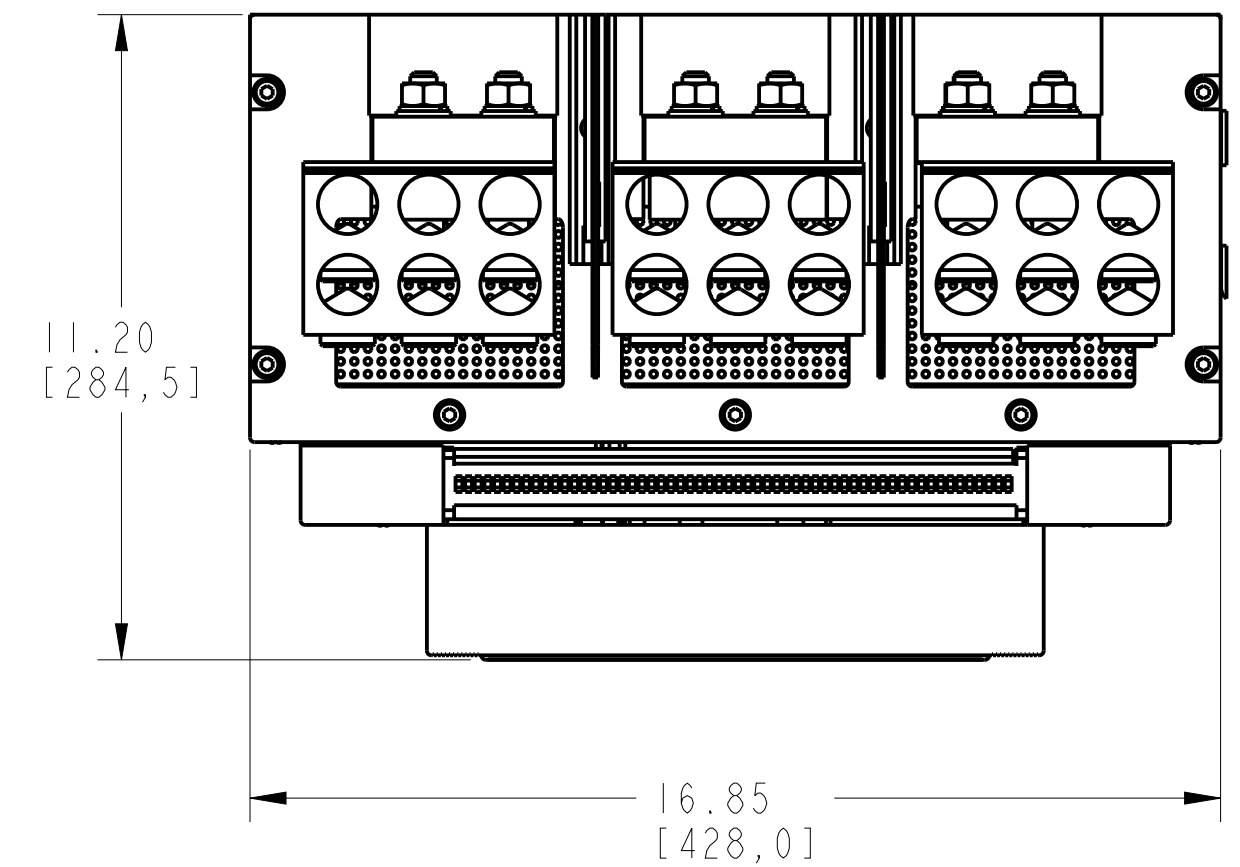
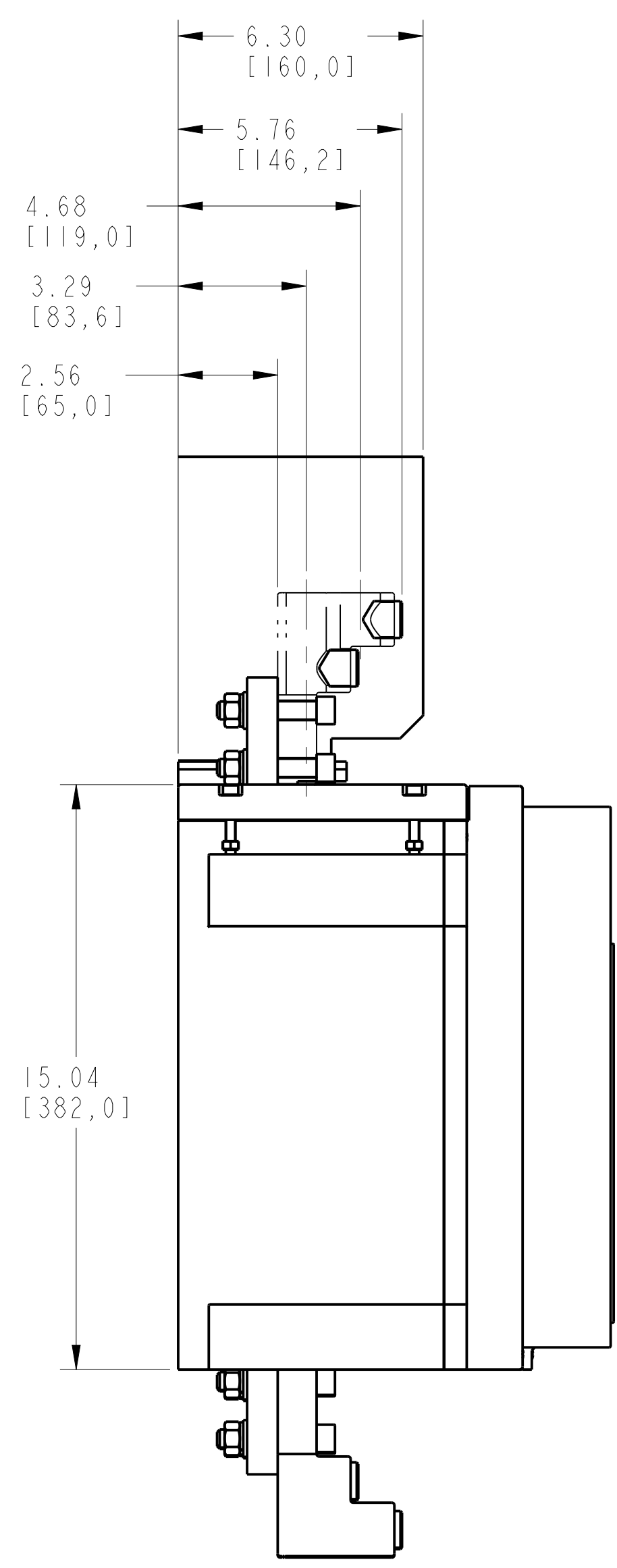
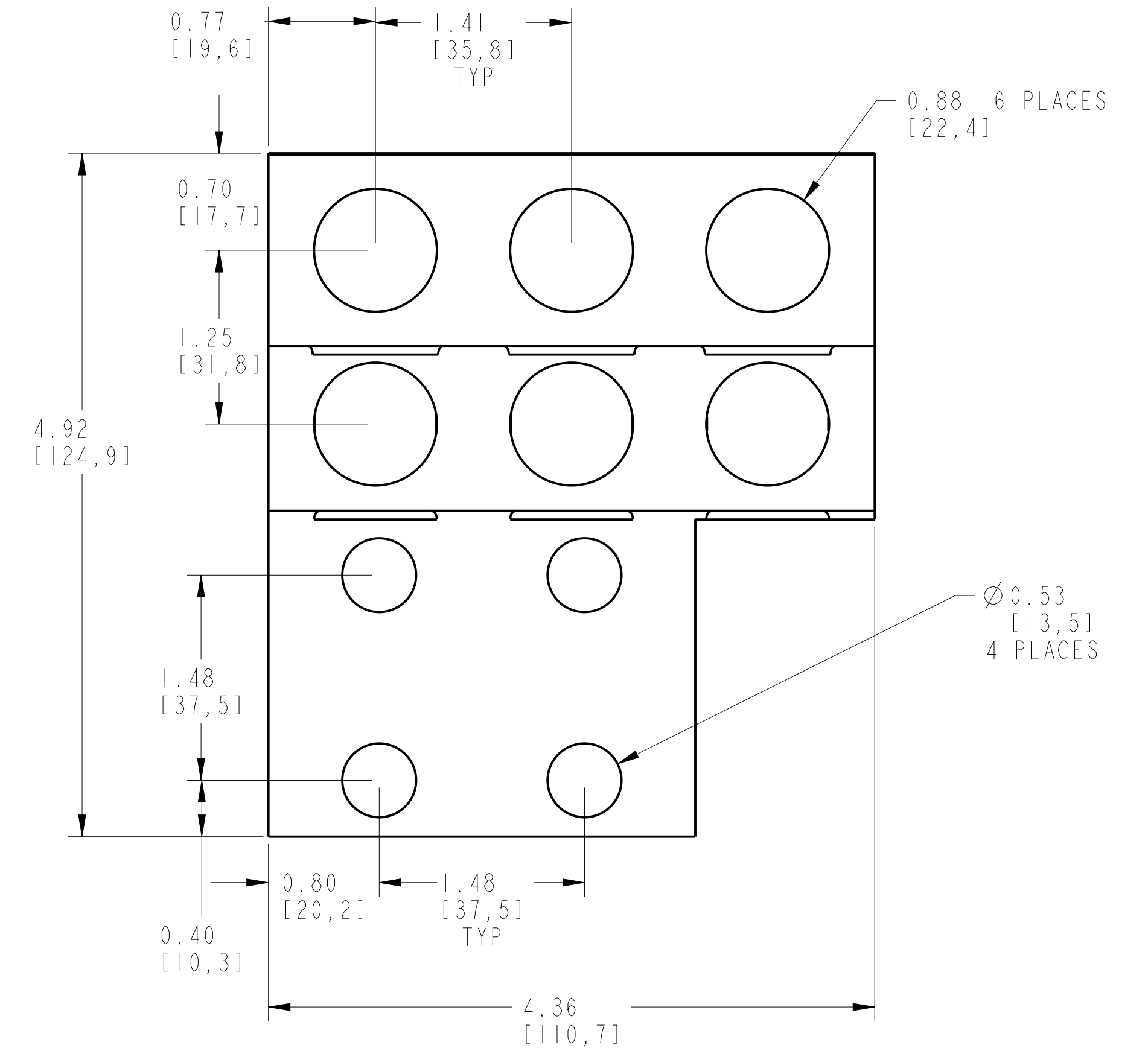
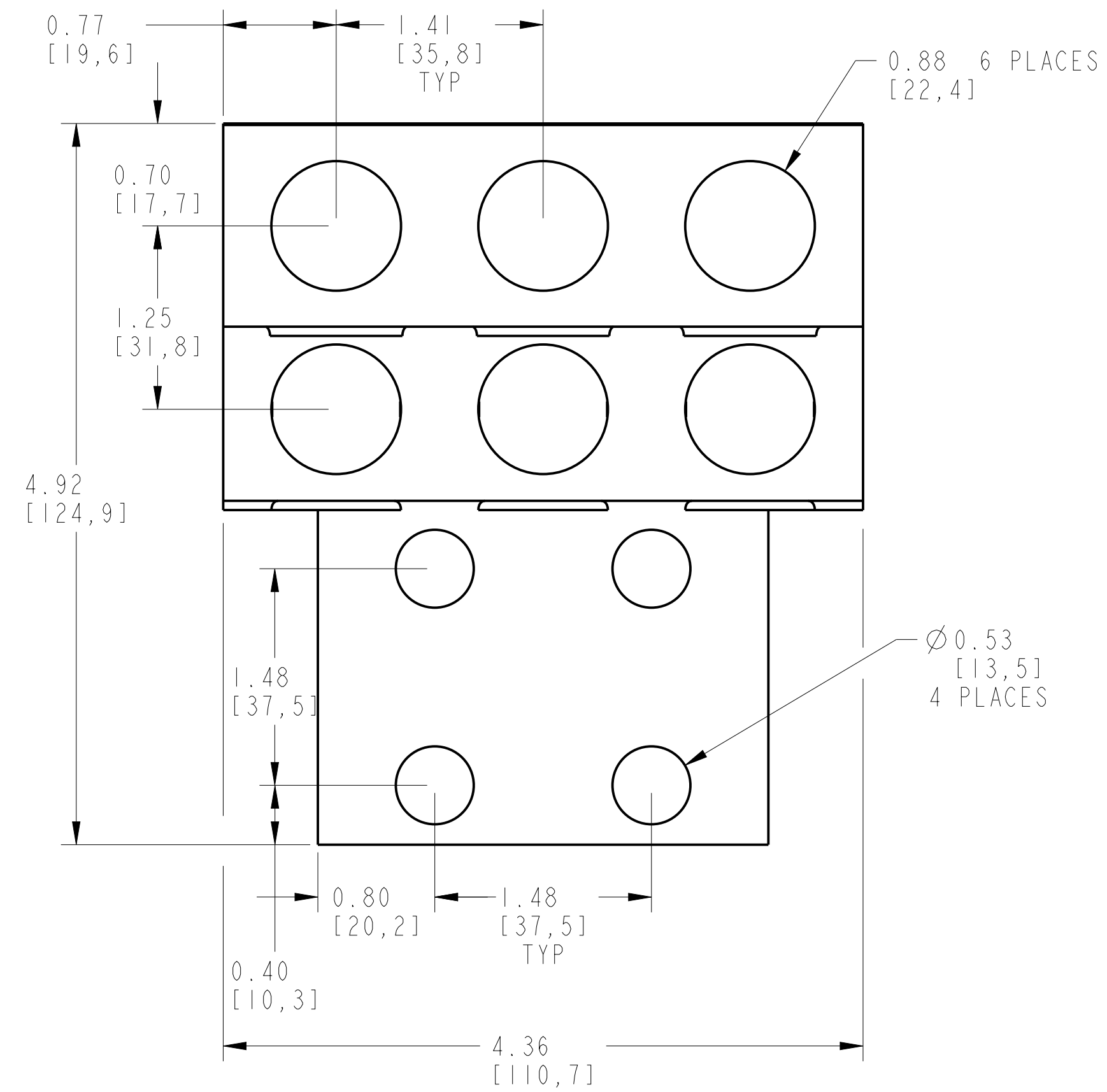
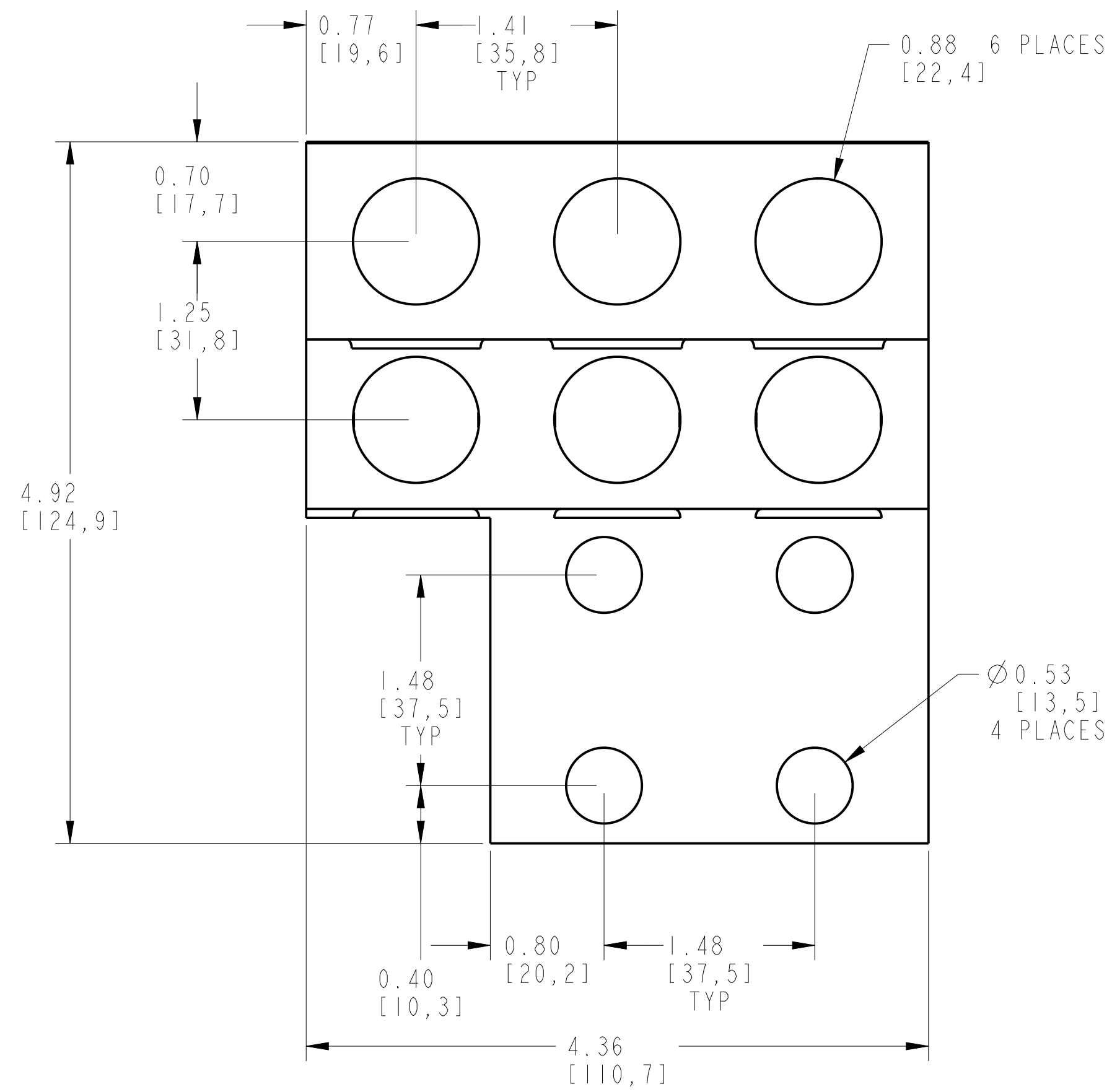
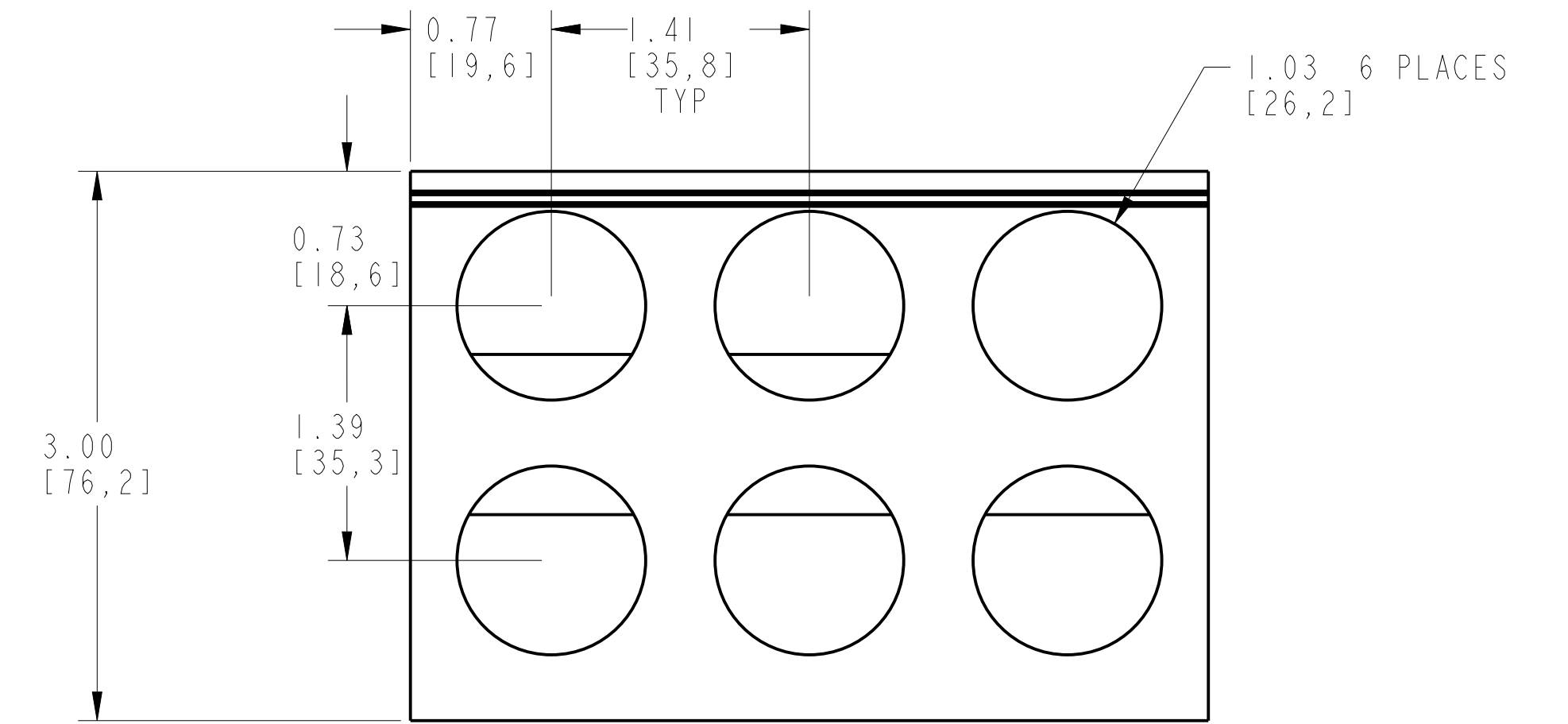
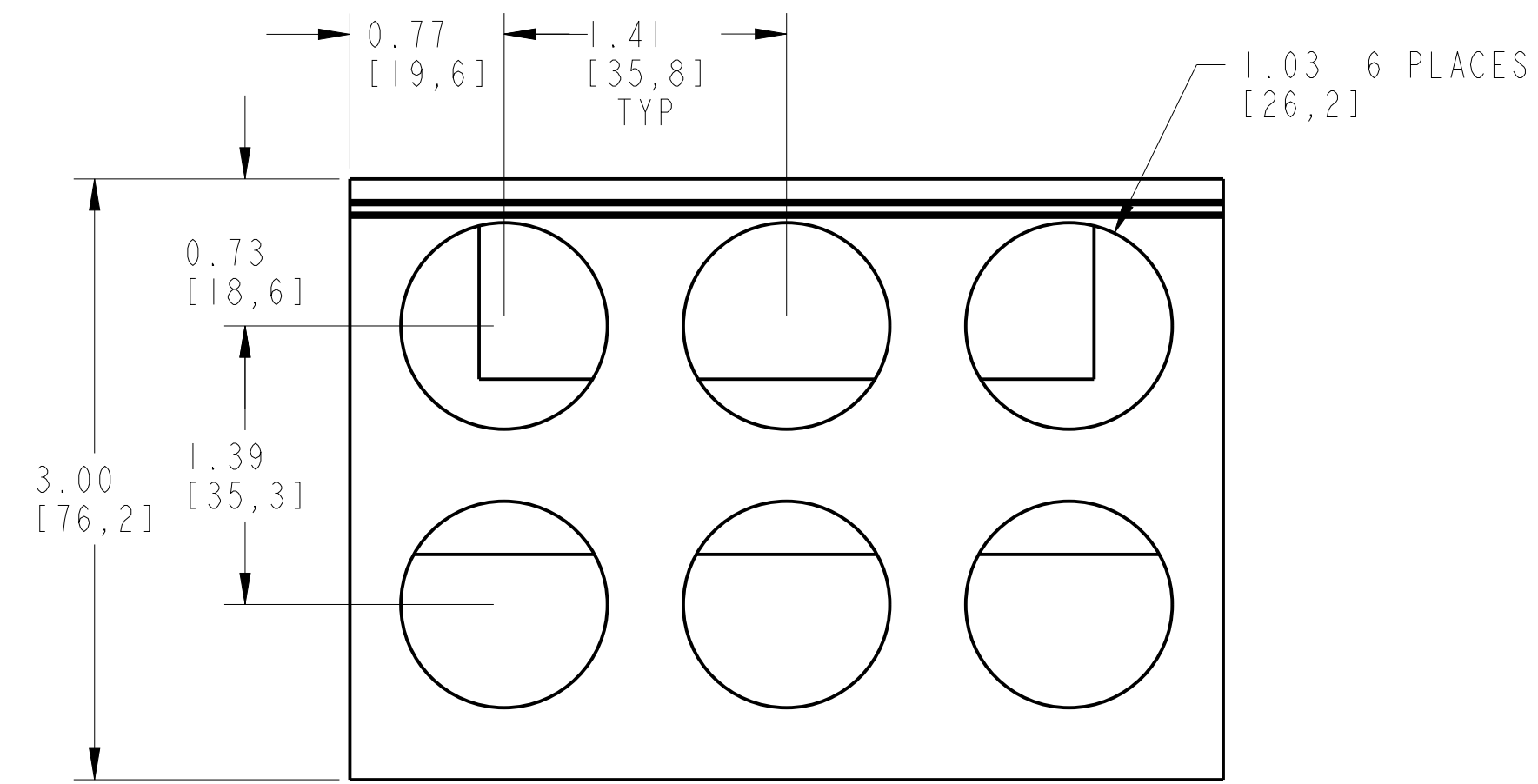
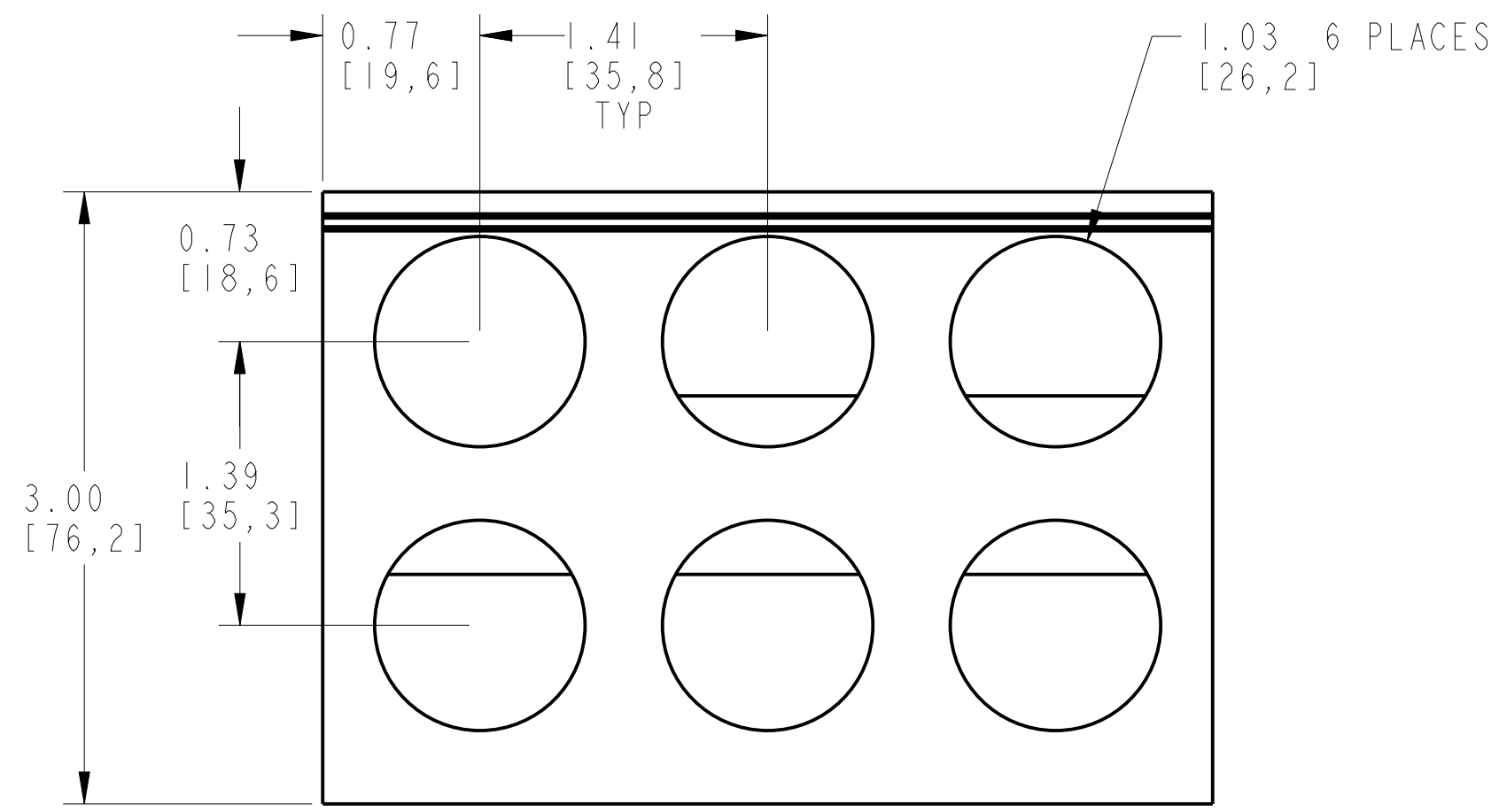


FCCU ASSEMBLY

ITEM	DESCRIPTION	QTY	AB CAT NUMBER
1	MOLDED CASE CIRCUIT BREAKER	1	140G-R-3P CB
2	FCCU (3 PCS)	2 SETS	140G-R-TLC63
3	PHASE BARRIER HIGH (2 PCS)	1 SET	140G-R-PB3H



FCCU ASSEMBLED TO 140G-R-3-POLE
SCALE 0.3 : 1



ITEM 2 : FCCU TERMINAL - LEFT
SCALE 1.20 : 1

ITEM 2 : FCCU TERMINAL - MIDDLE
SCALE 1.20 : 1

ITEM 2 : FCCU TERMINAL - RIGHT
SCALE 1.20 : 1