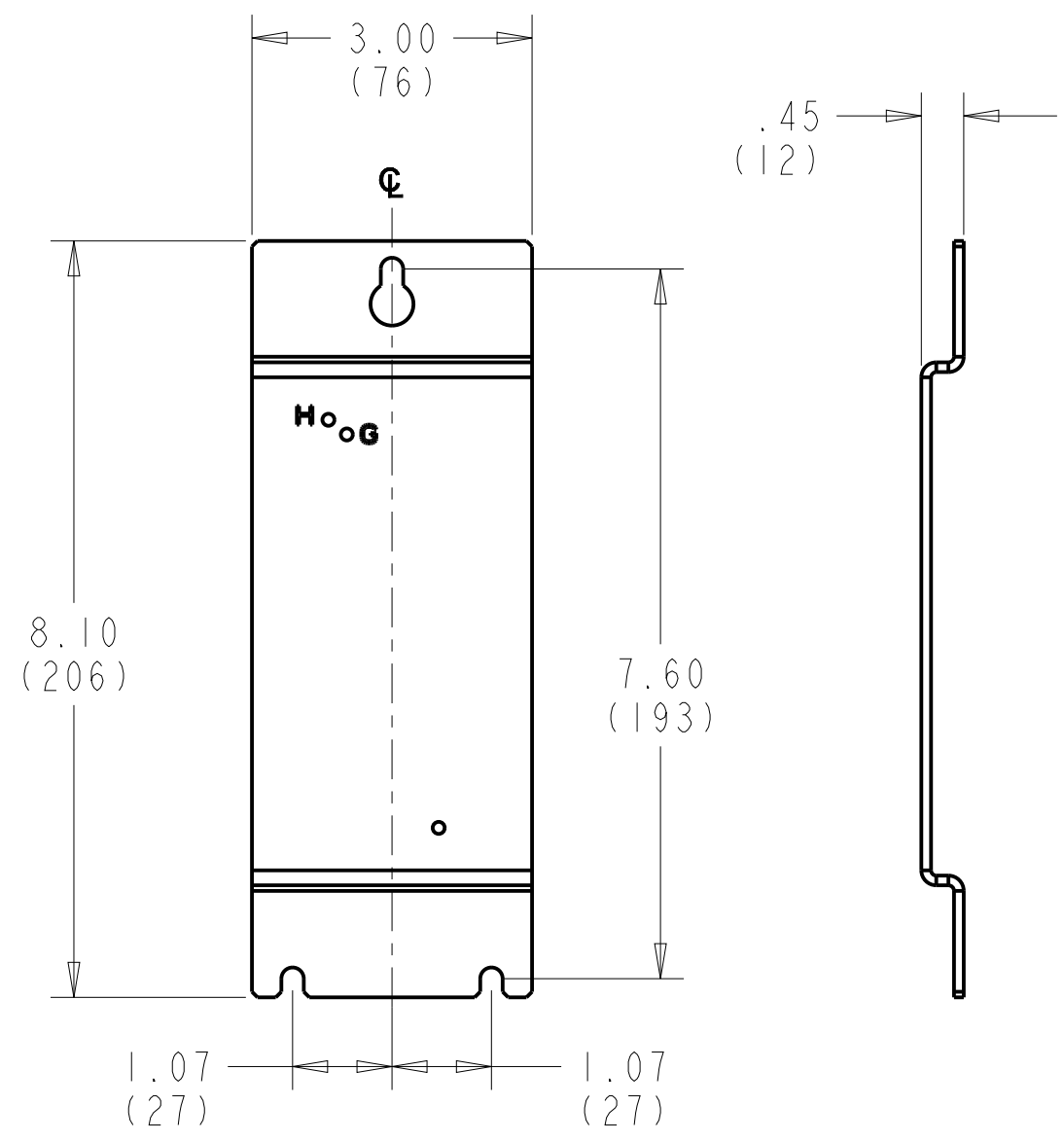


1 2 3 4 5 6 7 8

A
B
C
D
E
F
G
H

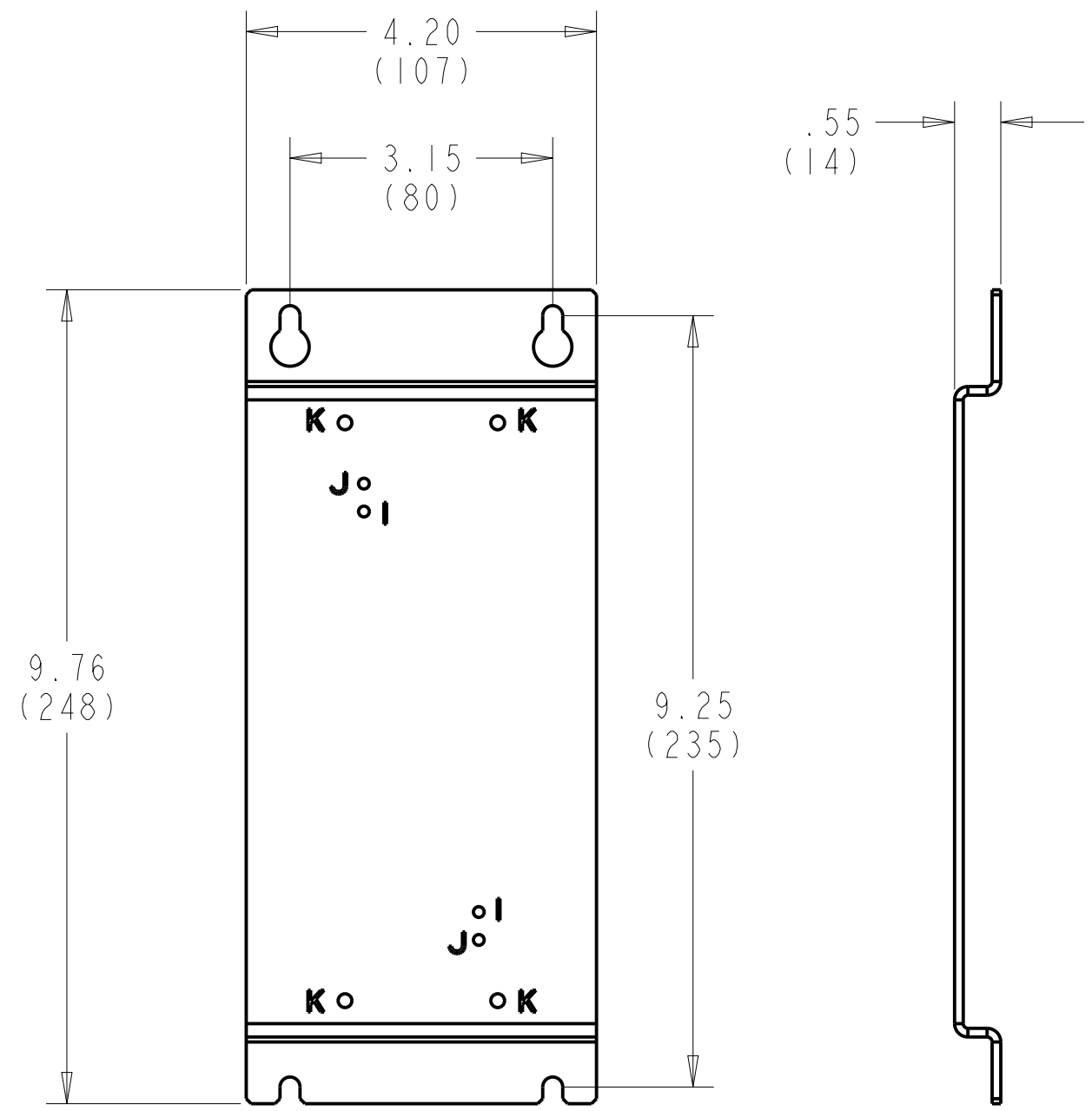


140G-G/H-MOUNTING PLATE

		CONFIDENTIAL AND PROPRIETARY INFORMATION. THIS DOCUMENT CONTAINS CONFIDENTIAL AND PROPRIETARY INFORMATION OF ROCKWELL AUTOMATION, INC. AND MAY NOT BE USED, COPIED OR DISCLOSED TO OTHERS, EXCEPT WITH THE AUTHORIZED WRITTEN PERMISSION OF ROCKWELL AUTOMATION, INC.	
		SHEET 1 OF 2	
DESCRIPTION	140G BAIL FLANGE CABLE OPERATOR		VER
	SIZE	DIR	VER
DRAWN BY: SDCLORAN		DATE: 08-22-2018	B 10004231995 00

1 2 3 4 5 6 7 8

A
B
C
D
E
F
G
H



140G-I/J/K-MOUNTING PLATE

		<small>CONFIDENTIAL AND PROPRIETARY INFORMATION. THIS DOCUMENT CONTAINS CONFIDENTIAL AND PROPRIETARY INFORMATION OF ROCKWELL AUTOMATION, INC. AND MAY NOT BE USED, COPIED OR DISCLOSED TO OTHERS, EXCEPT WITH THE AUTHORIZED WRITTEN PERMISSION OF ROCKWELL AUTOMATION, INC.</small>			
		SHEET 2 OF 2			
DESCRIPTION	140G BAIL FLANGE CABLE OPERATOR		SIZE	DIR	VER
	DRAWN BY: SDCLORAN		DATE: 08-22-2018		
	B	10004231995		00	