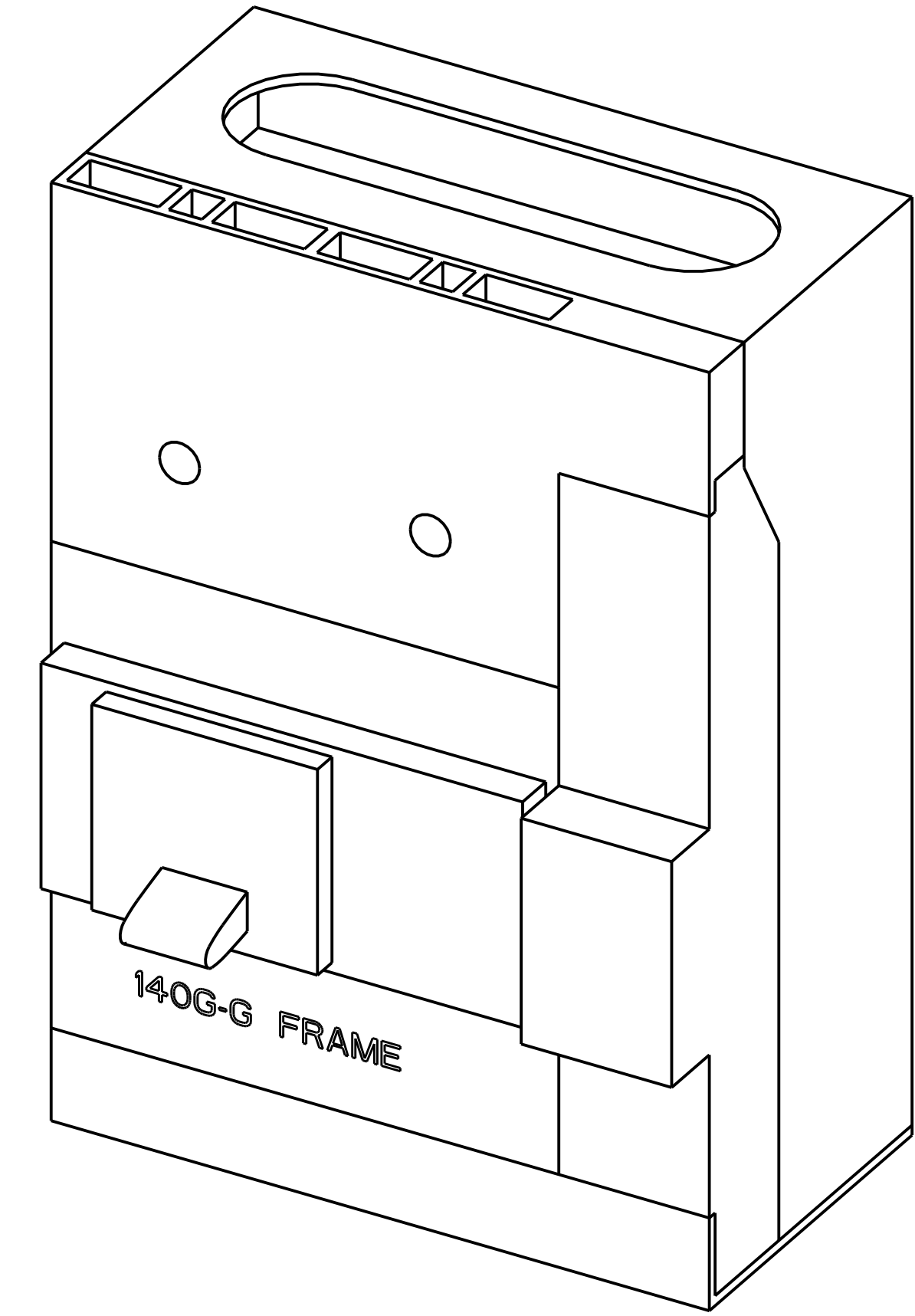
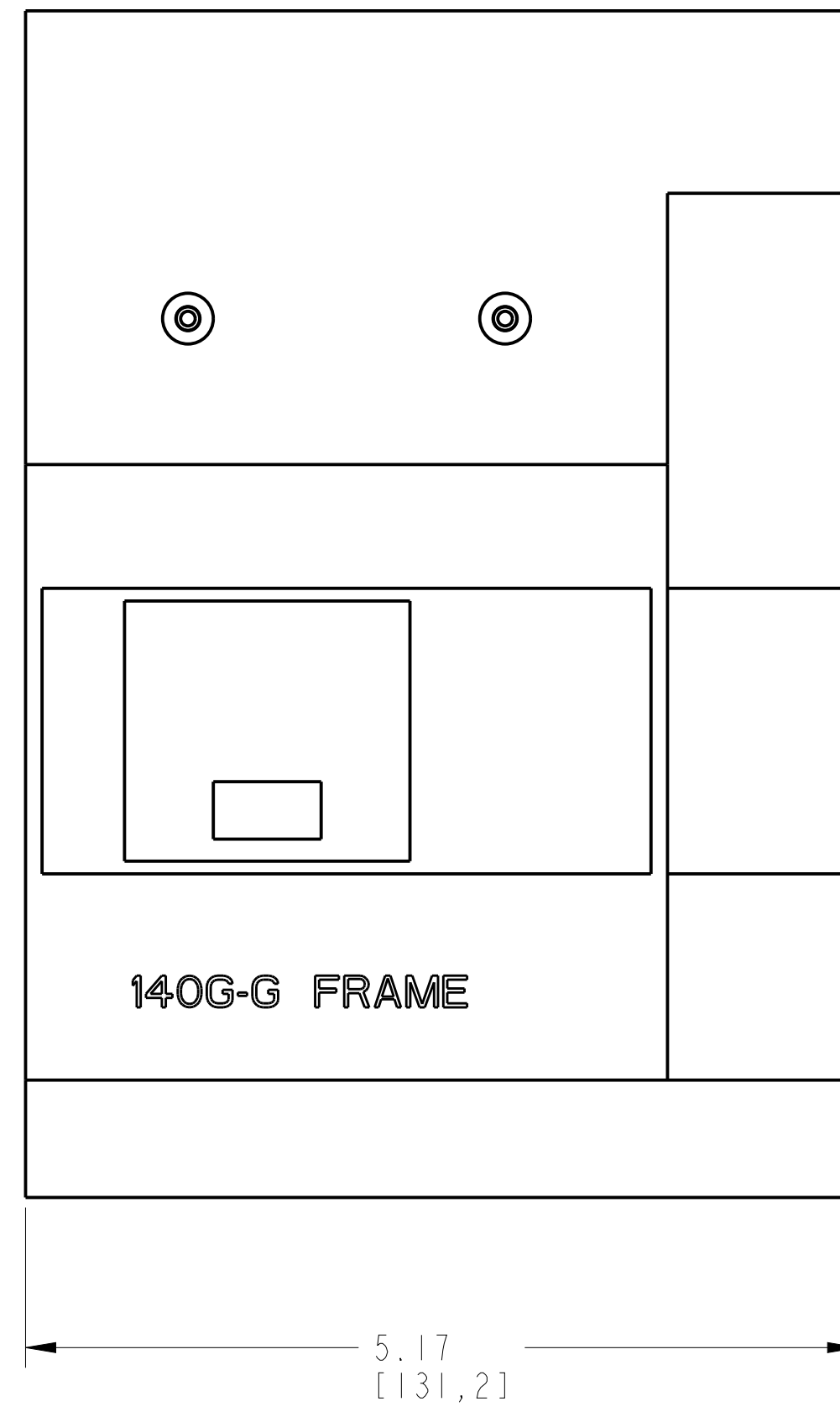
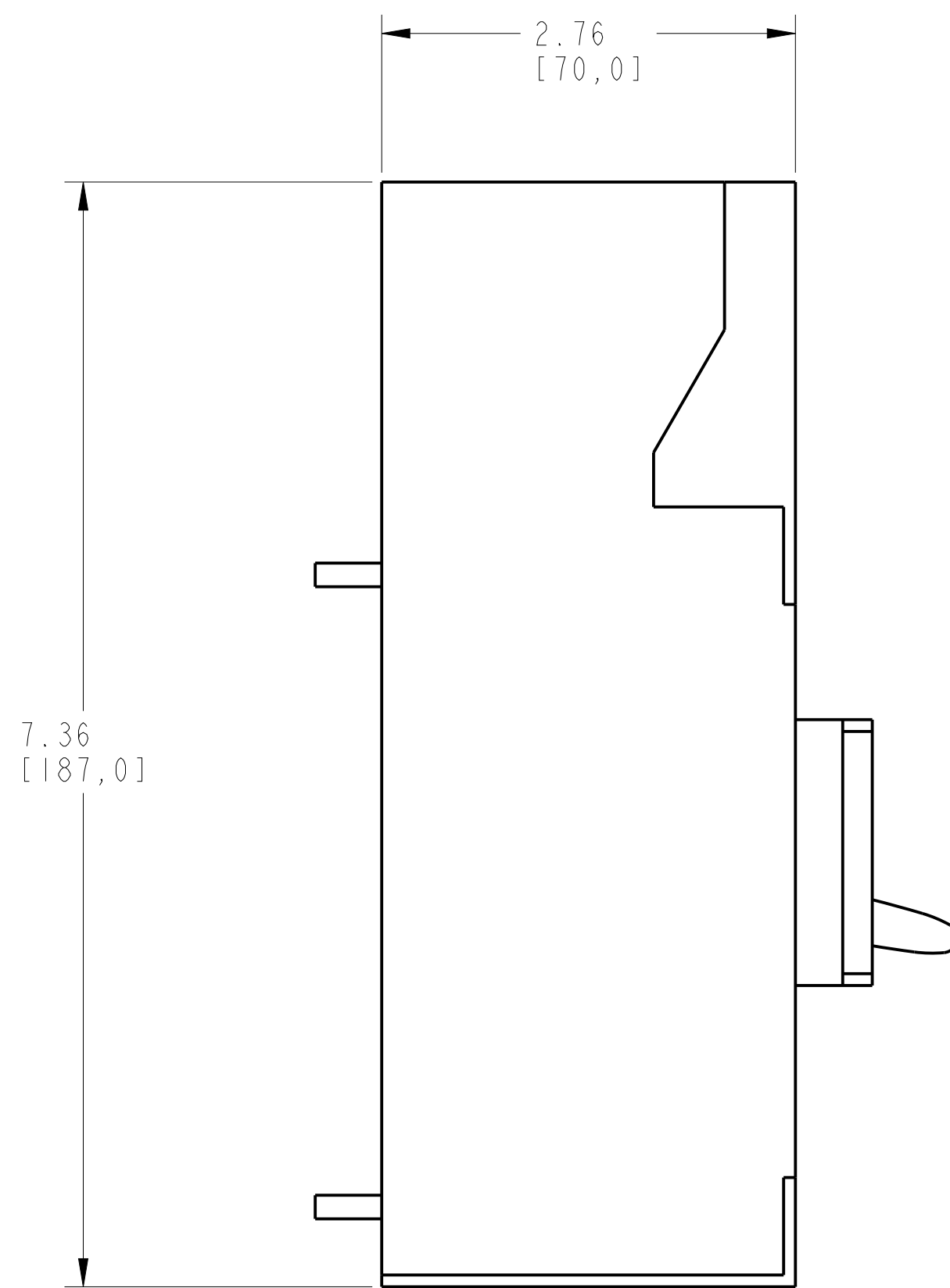
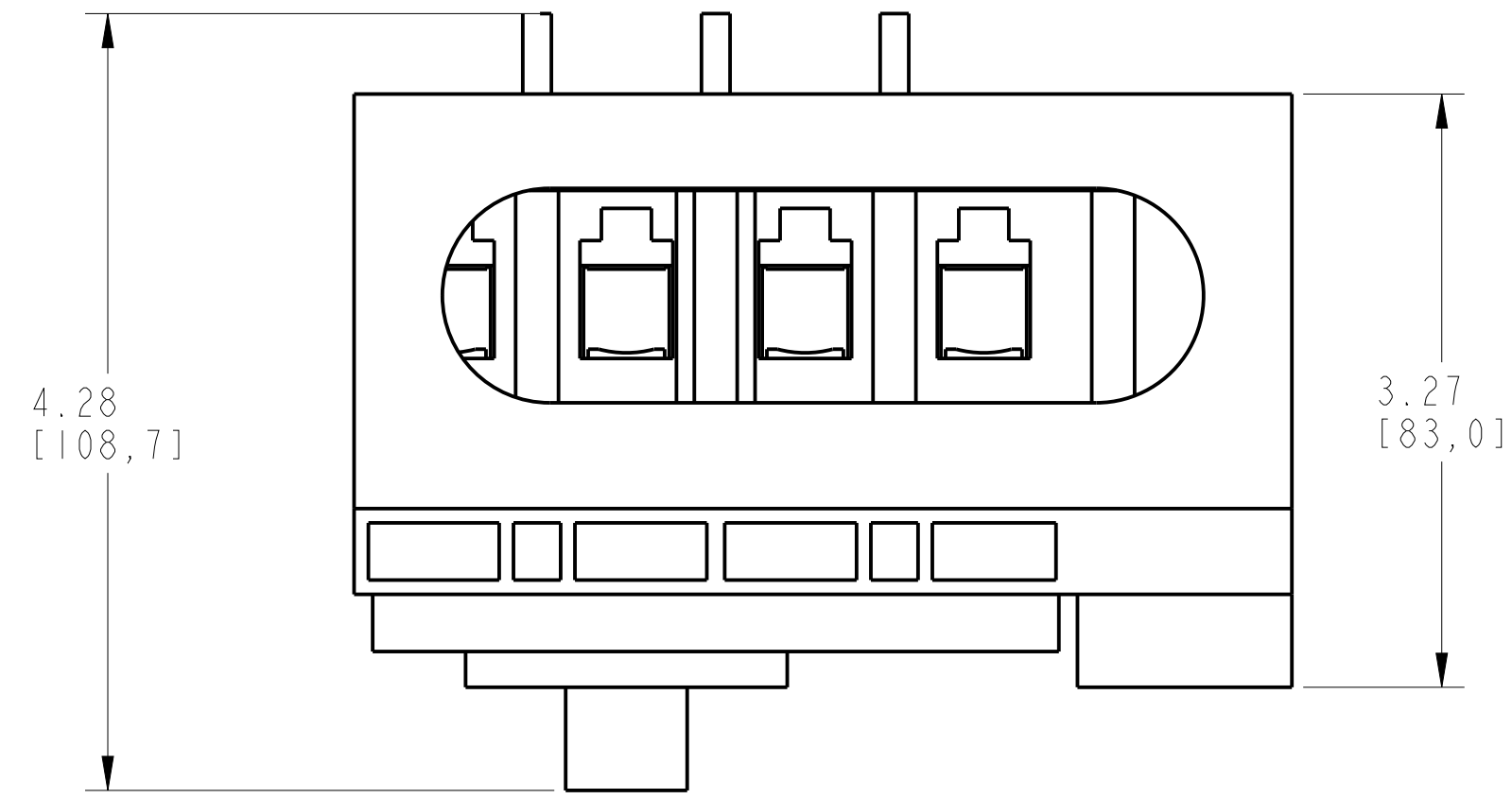


1 2 3 4 5 6 7 8

A  
B  
C  
D  
E  
F  
G  
H



ISOMETRIC VIEW

RESIDUAL CURRENT ASSEMBLED TO 140G-G-4POLE CIRCUIT BREAKER

SCALE 1:1

		<small>CONFIDENTIAL AND PROPRIETARY INFORMATION THIS DOCUMENT CONTAINS CONFIDENTIAL AND PROPRIETARY INFORMATION OF ROCKWELL AUTOMATION, INC. AND MAY NOT BE USED, COPIED OR DISCLOSED TO OTHERS, EXCEPT WITH THE AUTHORIZED WRITTEN PERMISSION OF ROCKWELL AUTOMATION, INC.</small>	
		Sheet 1 Of 1	
RESIDUAL CURRENT ASSEMBLED TO 140G-G-4P CB		Size <b>D</b>	Ver <b>00</b>
Drawn by: UMUNUSW	Date: 11-14-13	<b>1000884369</b>	