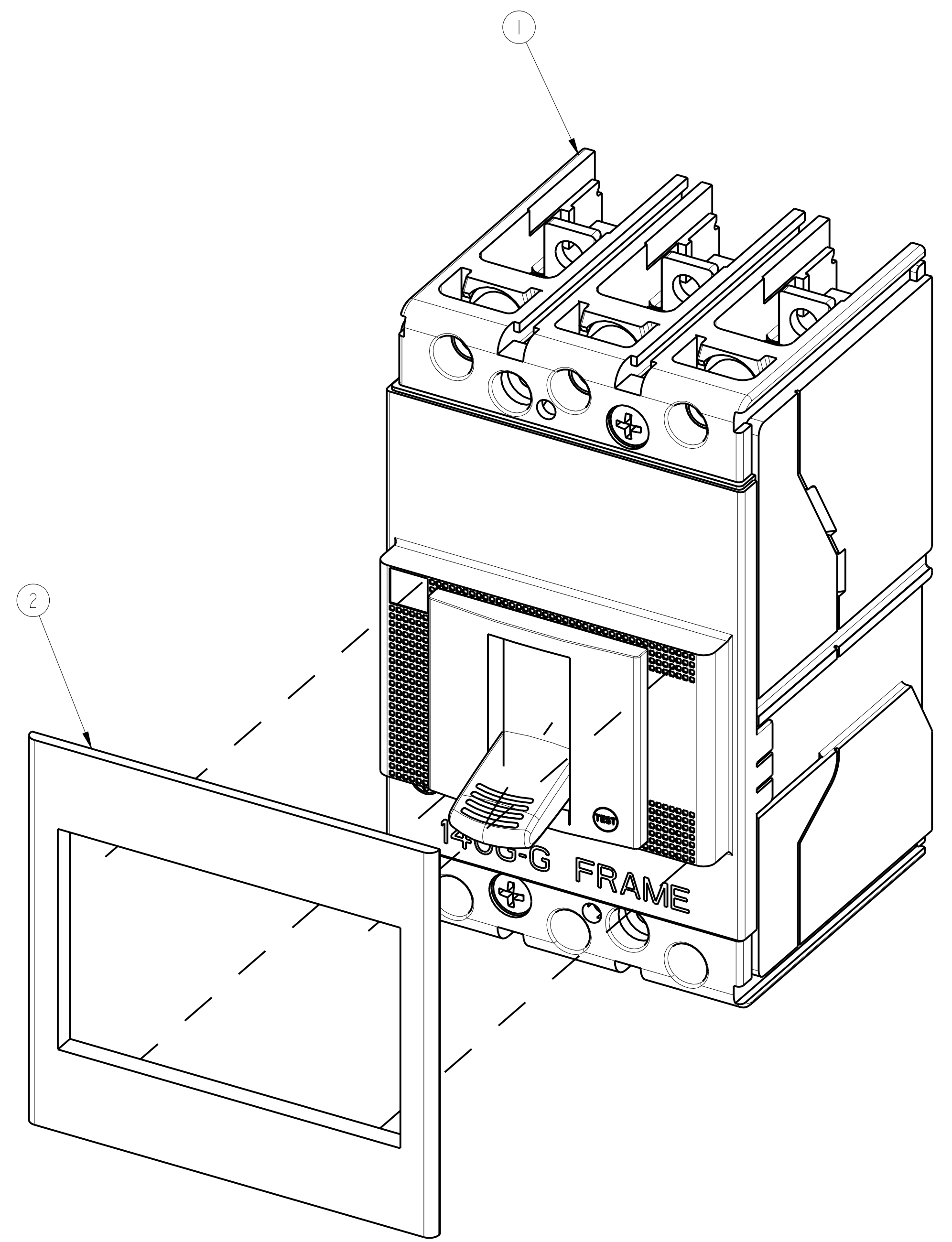
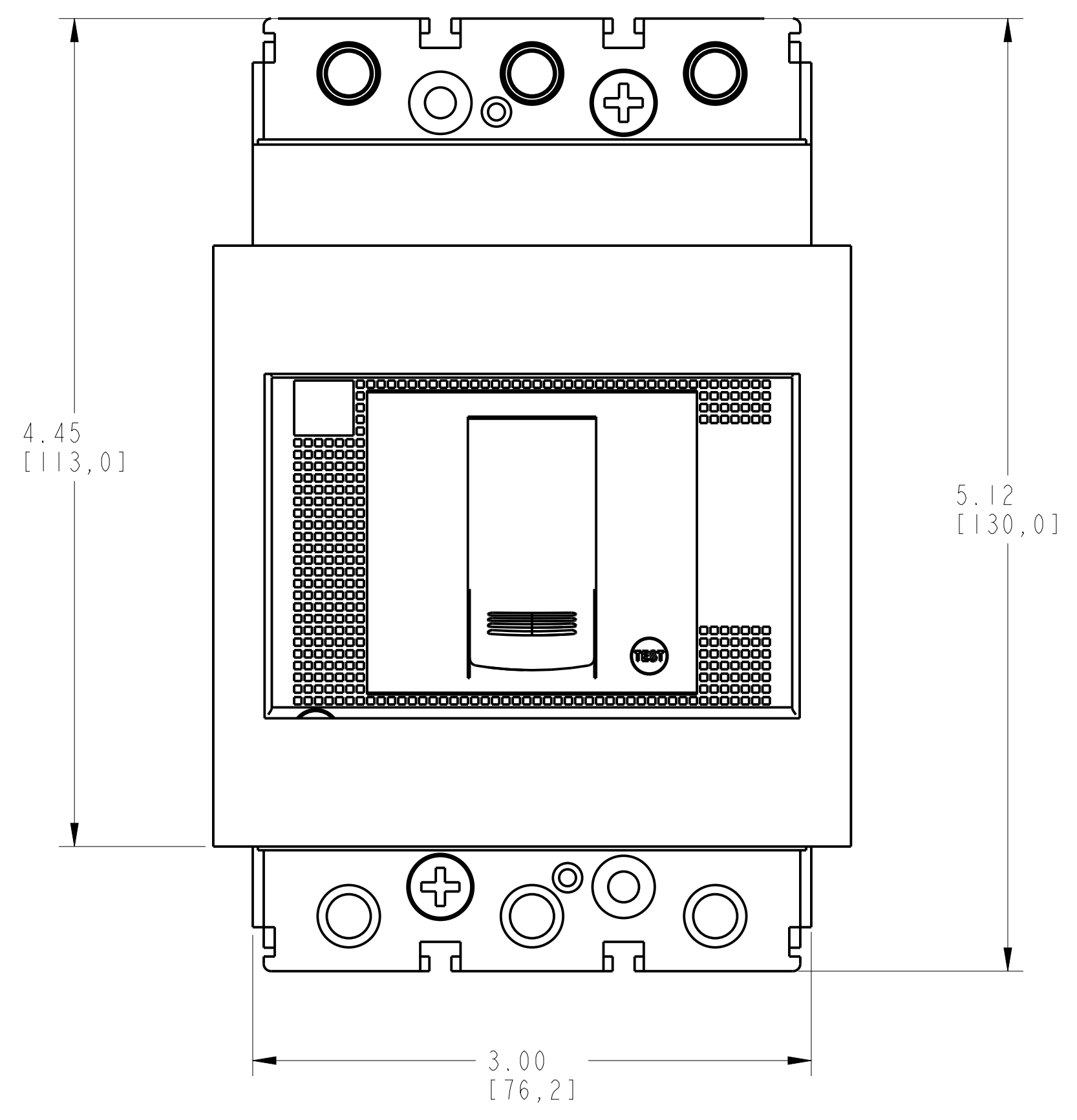
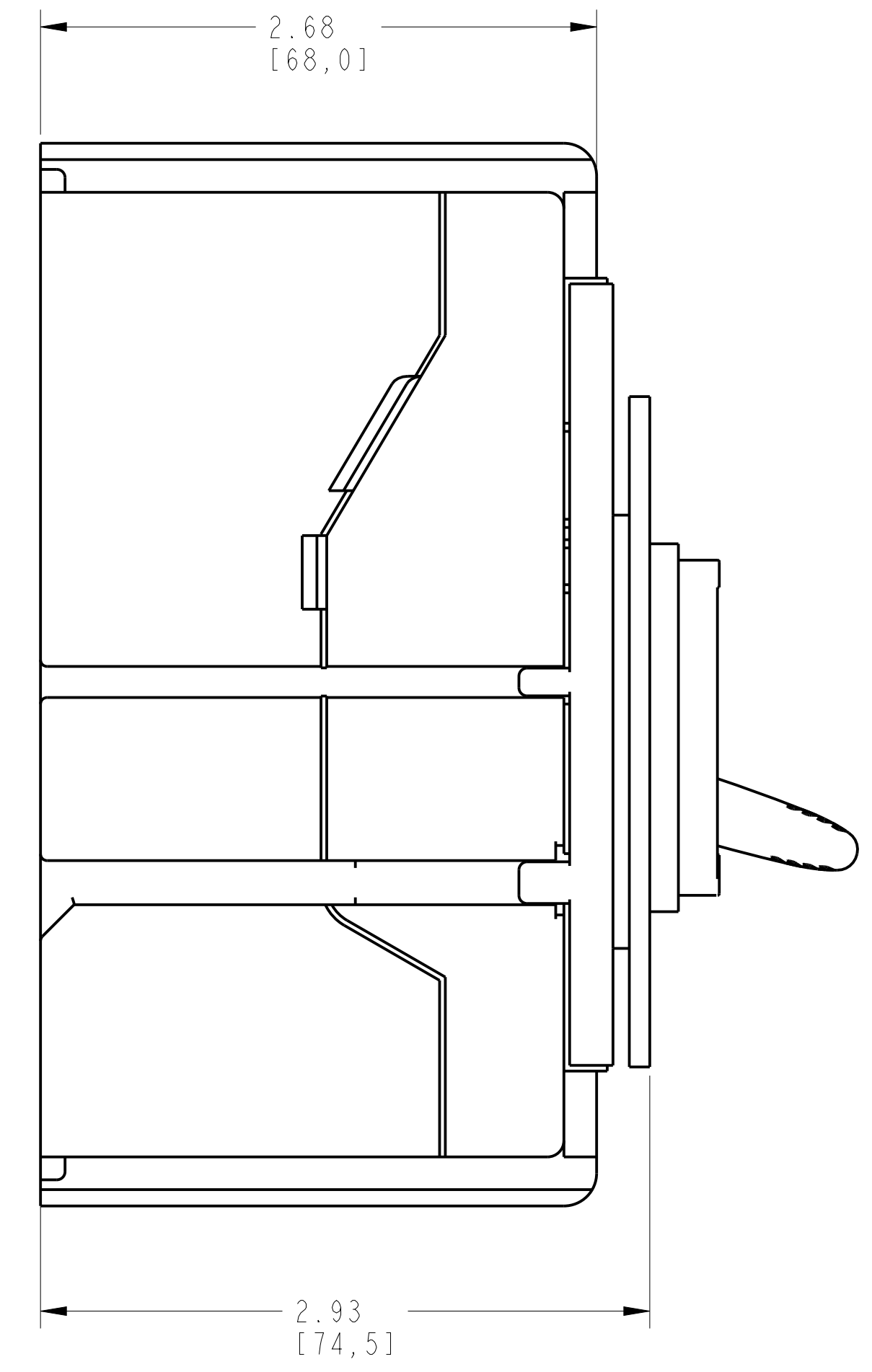
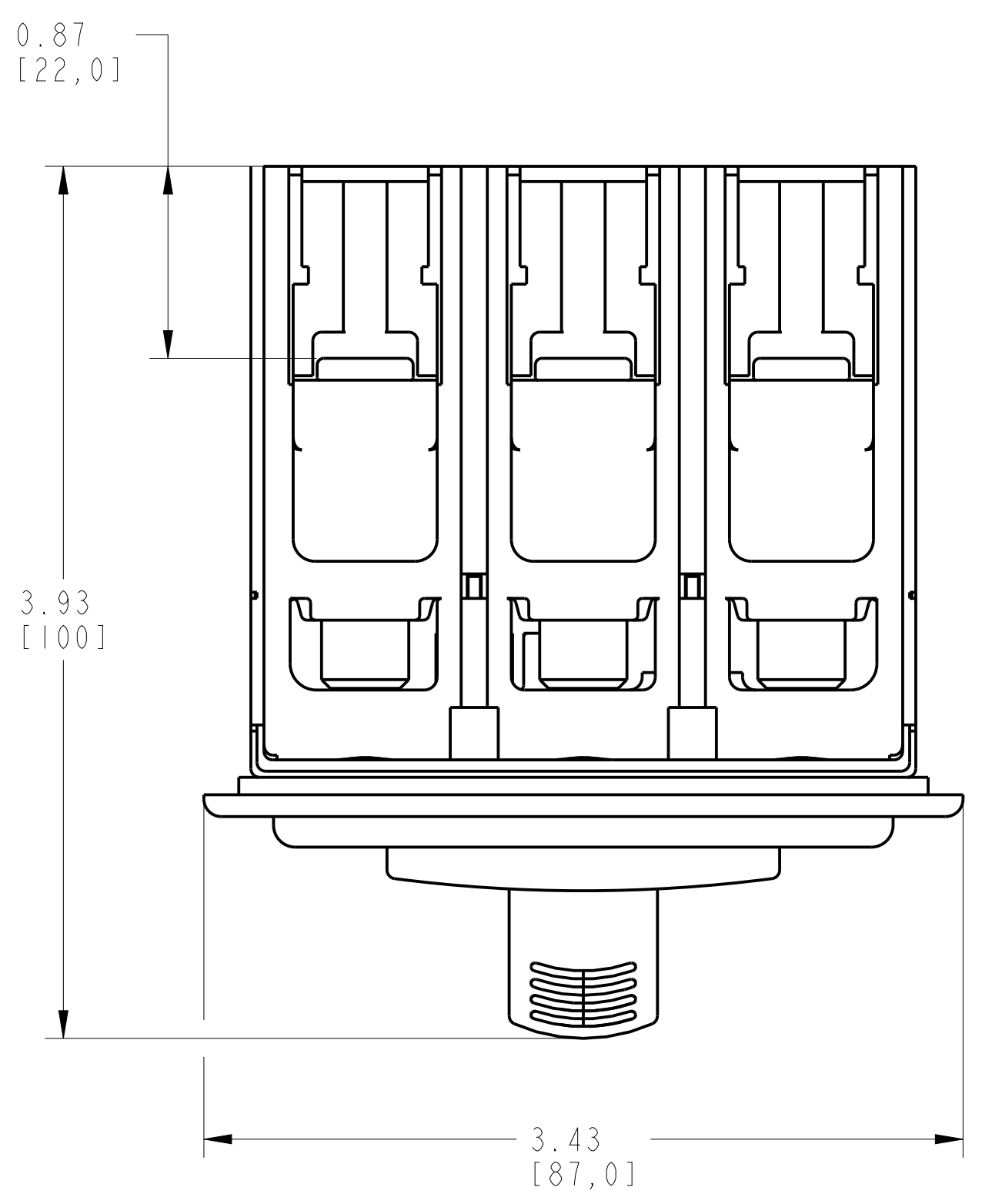


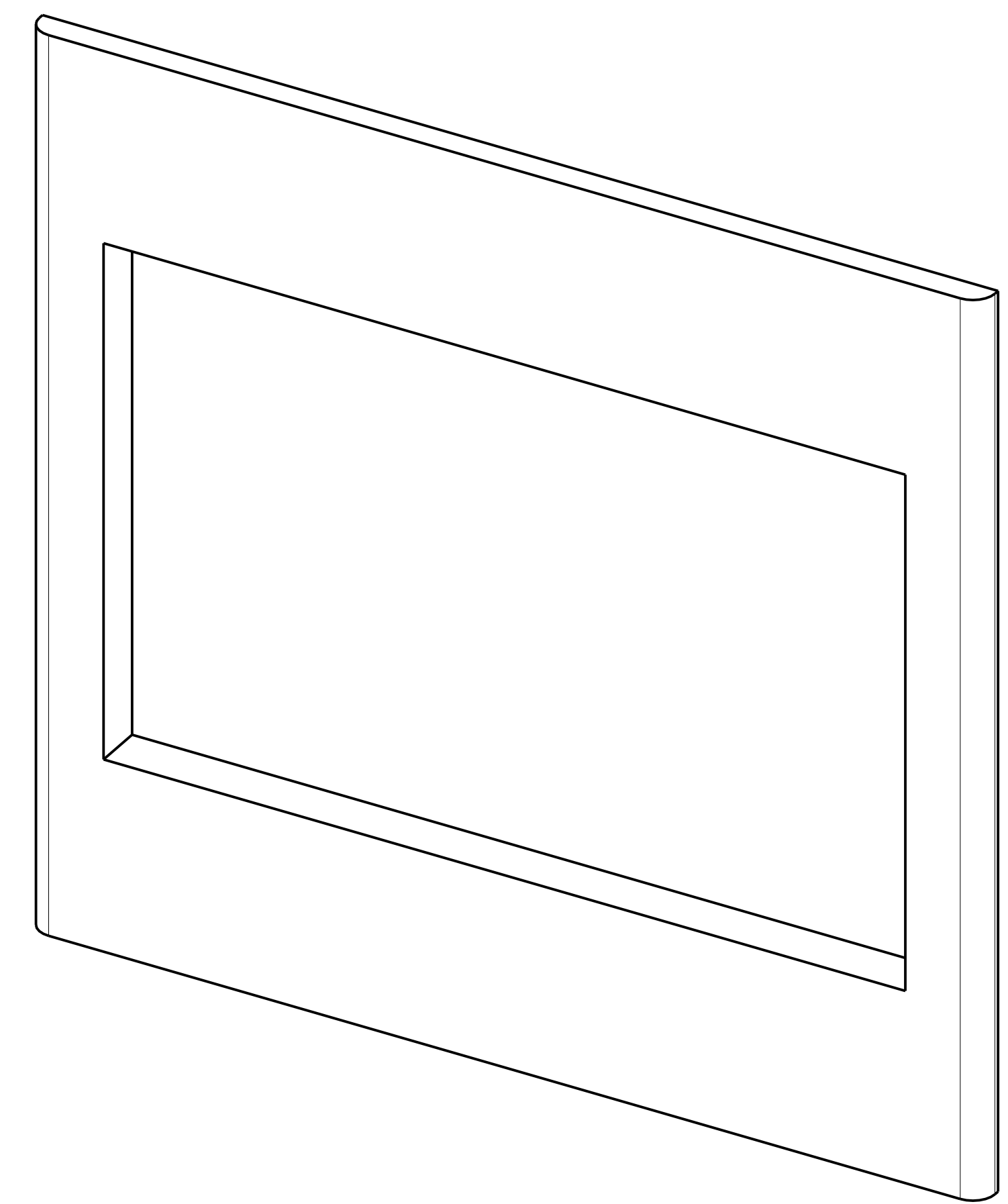
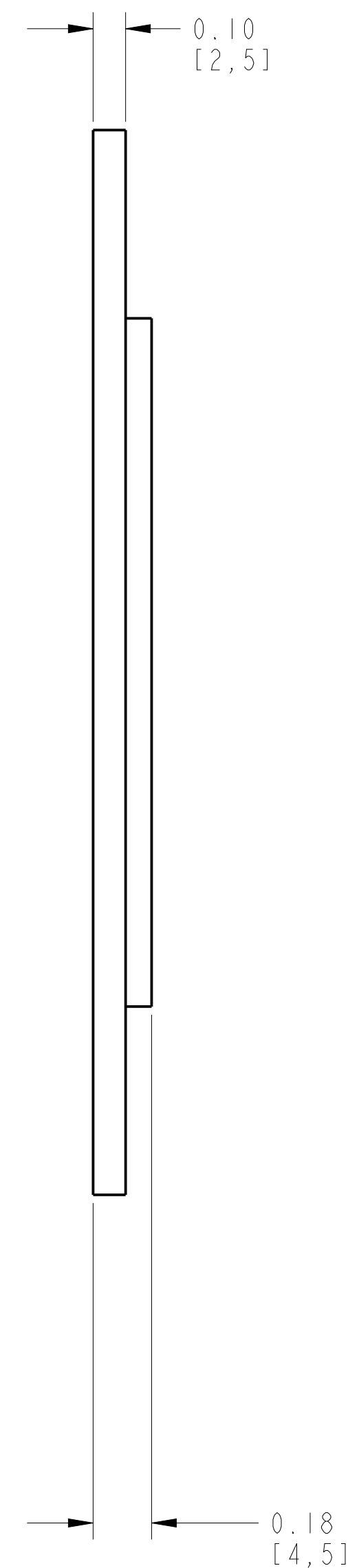
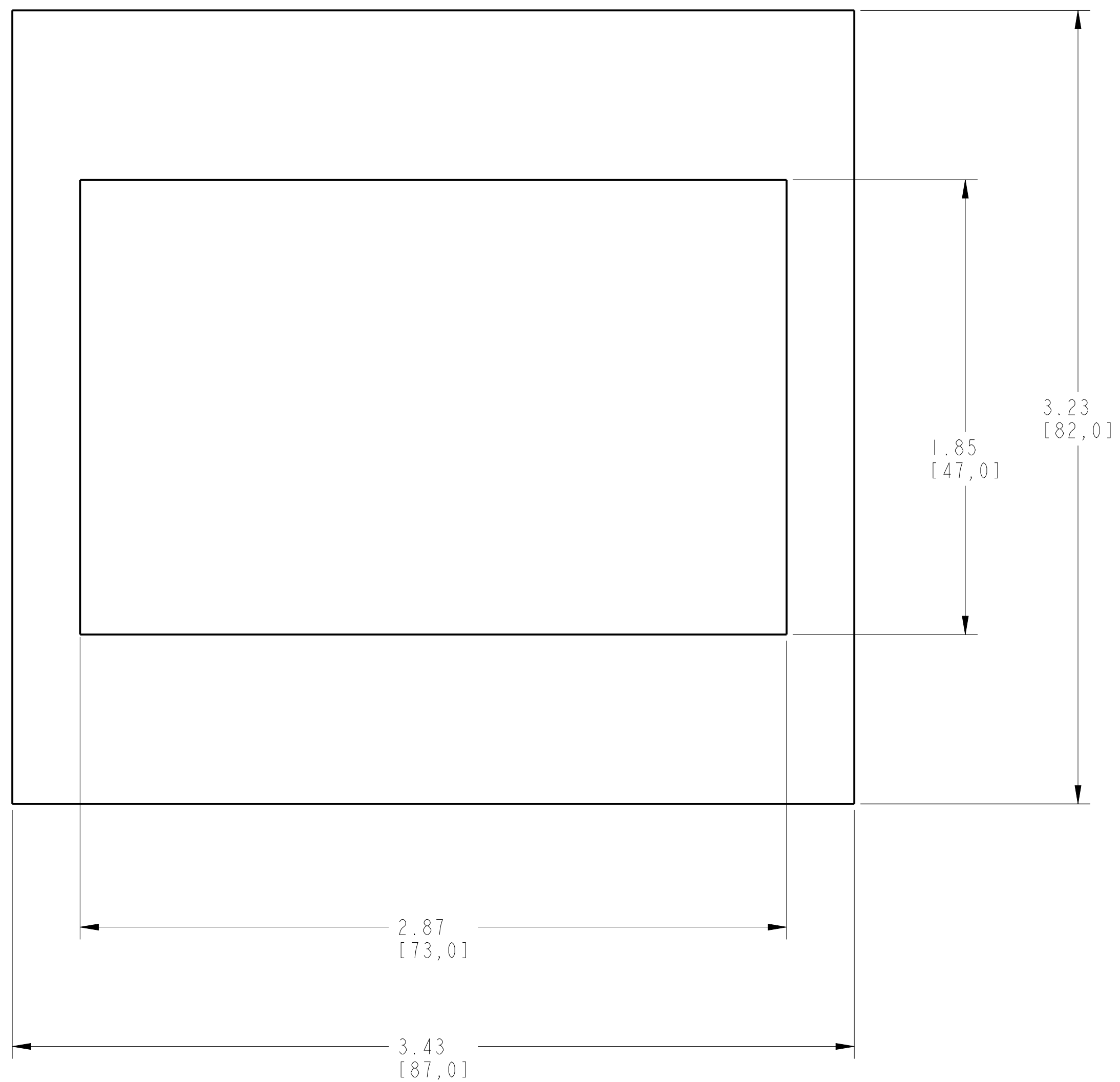
FLANGE 3 POLE ASSEMBLY			
ITEM	DESCRIPTION	QTY	AB CAT NUMBER
1	MOLDED CASE CIRCUIT BREAKER	1	140G-G-3P CB
2	FLANGE 3 POLE	1	140G-G-EP3



FLANGE 3 POLE ASSEMBLED TO 140G-G-3-POLE
SCALE 1.5:1

1 2 3 4 5 6 7 8

A
B
C
D
E
F
G
H



ISOMETRIC VIEW

ITEM 2 : FLANGE 3 POLE
SCALE 2.5:1

		<small>CONFIDENTIAL AND PROPRIETARY INFORMATION. THIS DOCUMENT CONTAINS CONFIDENTIAL AND PROPRIETARY INFORMATION OF ROCKWELL AUTOMATION, INC. AND MAY NOT BE USED, COPIED OR DISCLOSED TO OTHERS, EXCEPT WITH THE AUTHORIZED WRITTEN PERMISSION OF ROCKWELL AUTOMATION, INC.</small>	
		Sheet 2 Of 2	
FLANGE 3 POLE ASSEMBLED TO 140G-G-3P CB		Size D	Part No. 10000853614
Drawn by: UMUNUSW	Date: 10-25-13	Ver. 00	