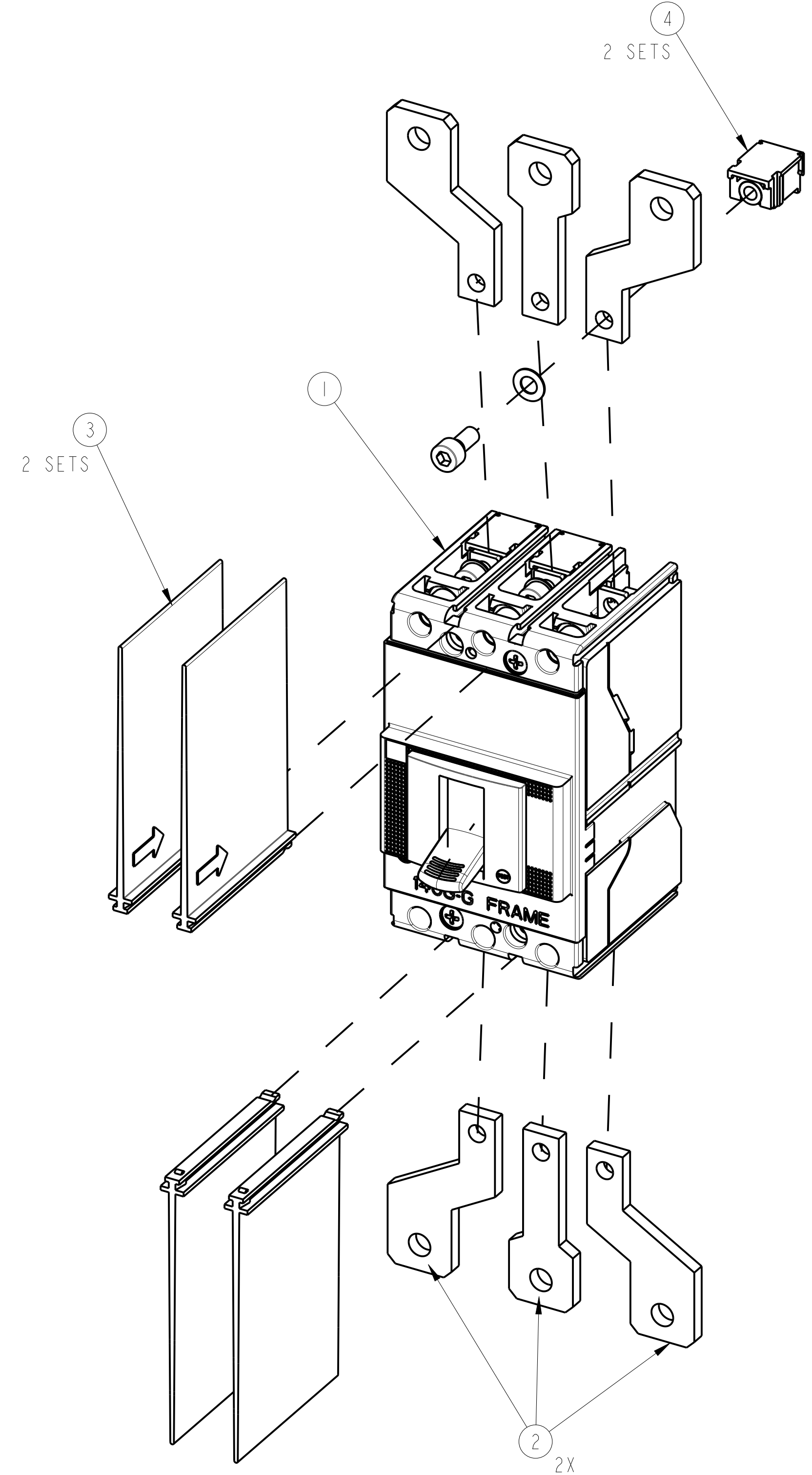
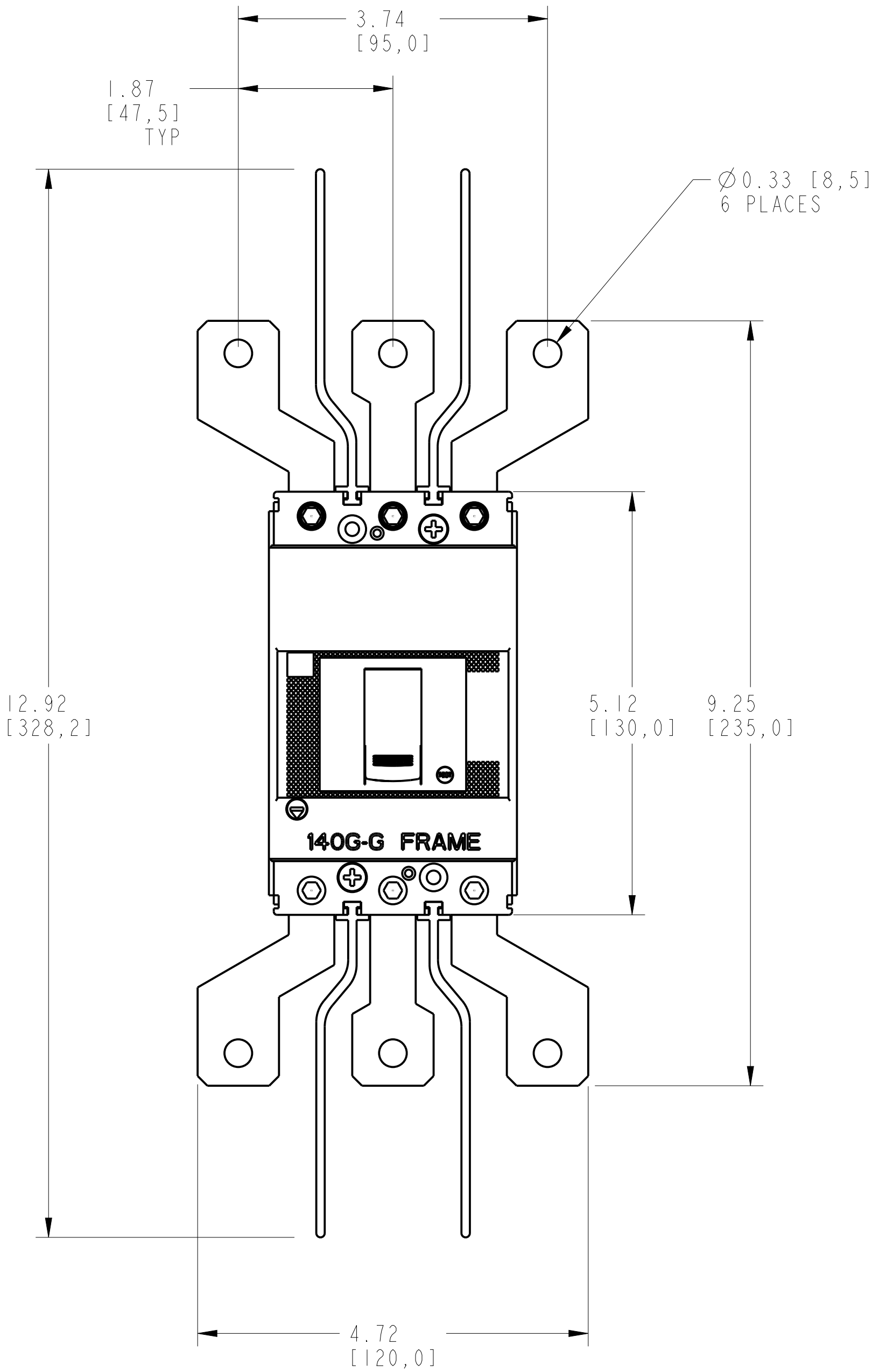
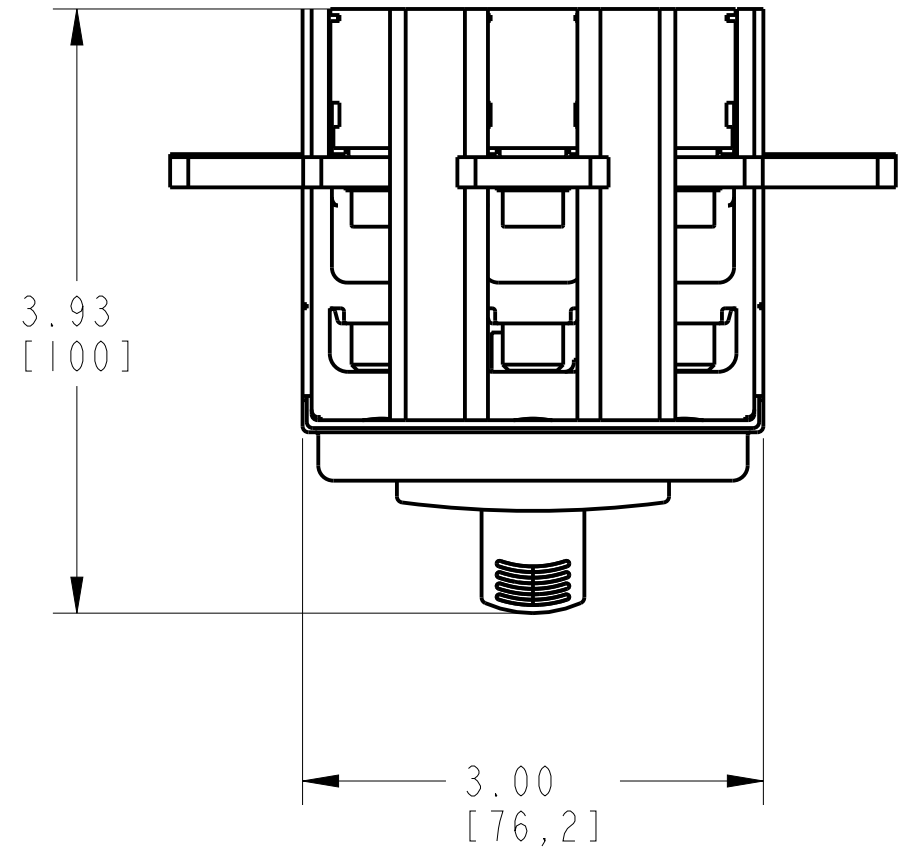
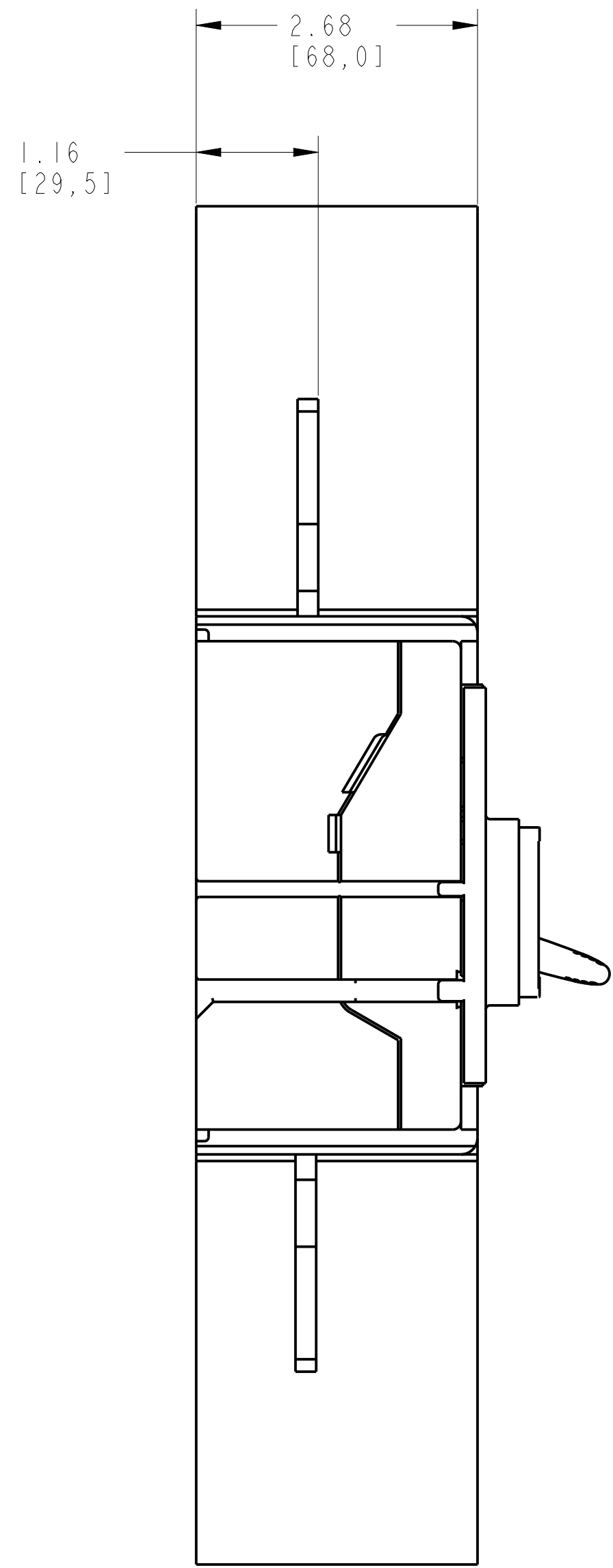
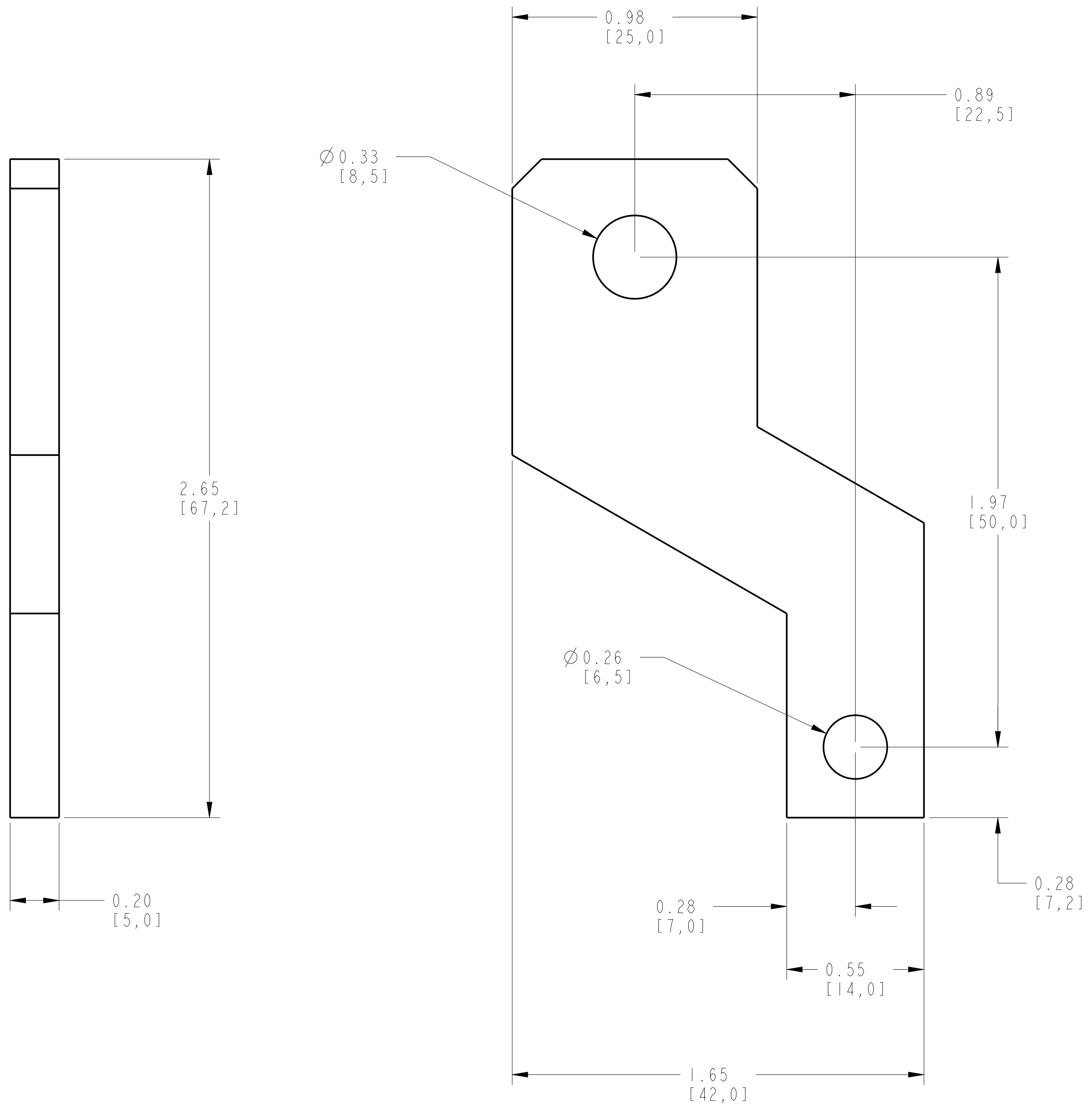


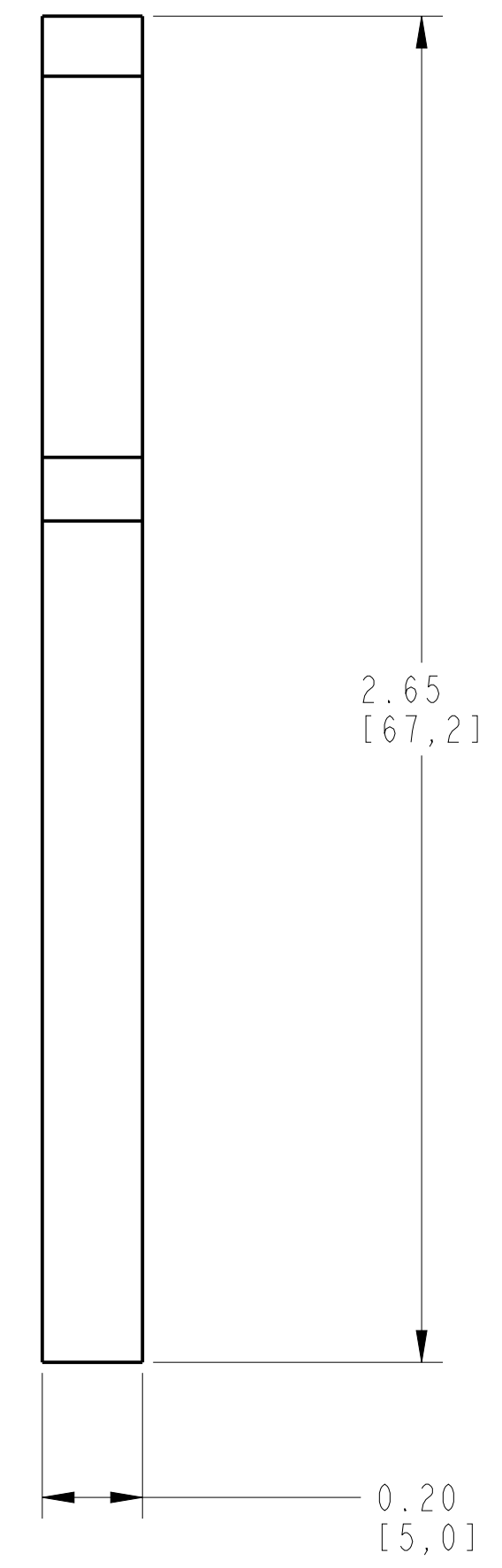
FRONT SPREADER TERMINAL ASSEMBLY			
ITEM	DESCRIPTION	QTY	AB CAT NUMBER
1	MOLDED CASE CIRCUIT BREAKER	1	140G-G-3P-CB
2	FRONT SPREADER TERMINAL	2	140G-G-EXS3
3	PHASE BARRIERS LOW 3 POLE (2 PCS)	2 SETS	140G-G-PB3L
4	ENDCAP ASSEMBLY (3 PCS)	2 SETS	-



FRONT SPREADER TERMINAL ASSEMBLED TO 140G-G-3-POLE
SCALE 0.8:1



ITEM 2 : FRONT SPREADER TERMINAL LH/RH END
SCALE 3:1



ITEM 2 : FRONT SPREADER TERMINAL MIDDLE
SCALE 3:1

