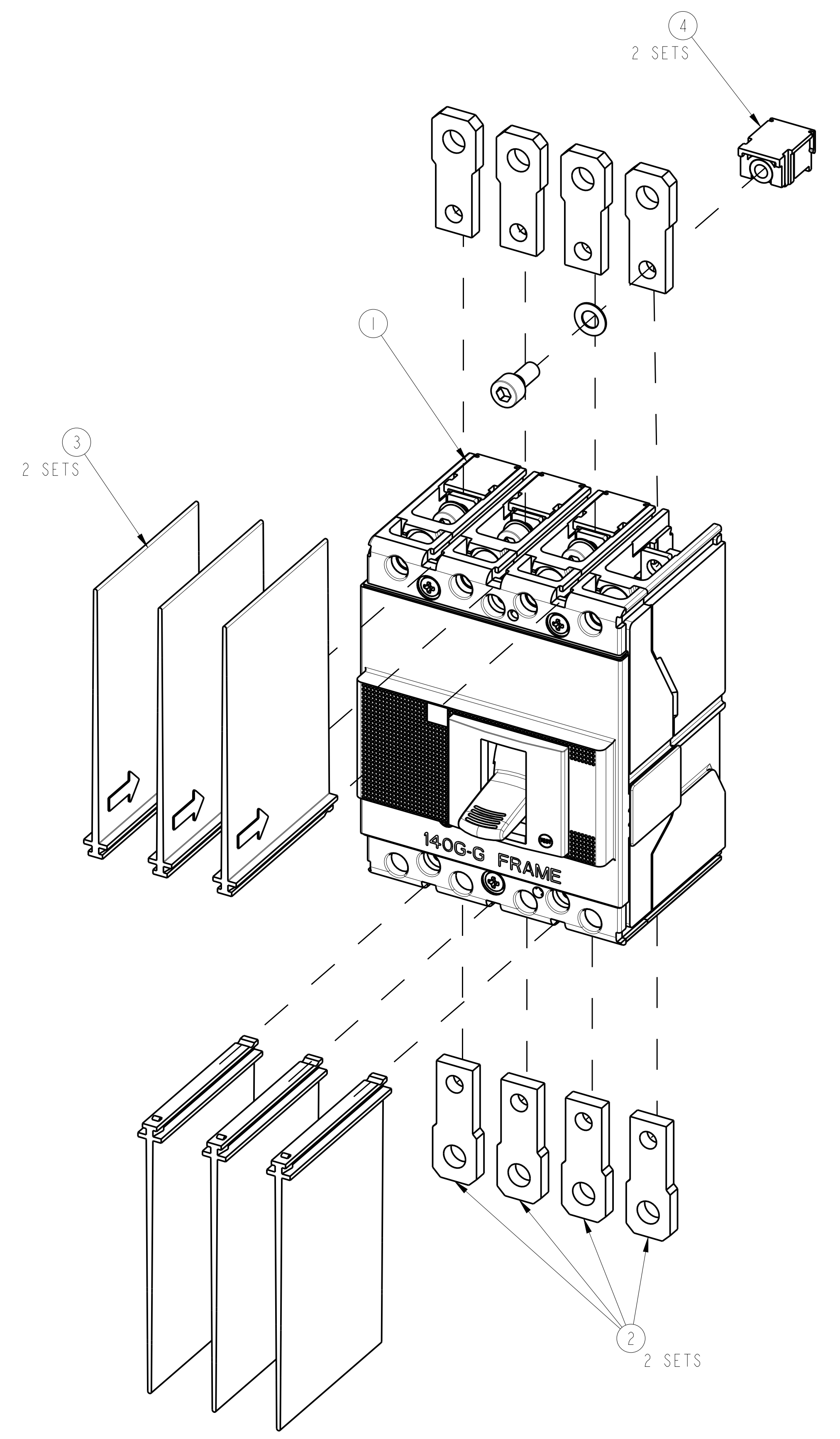
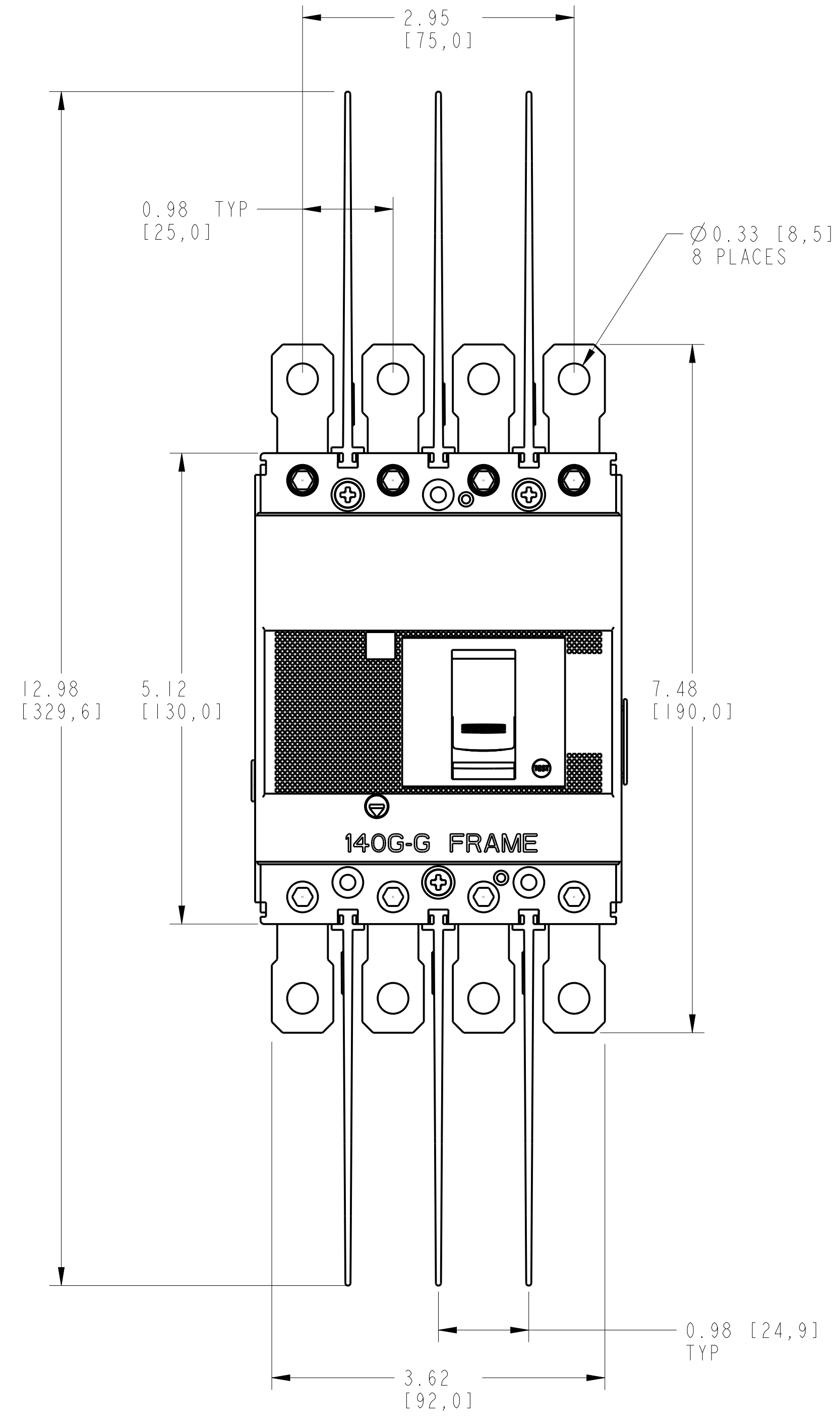
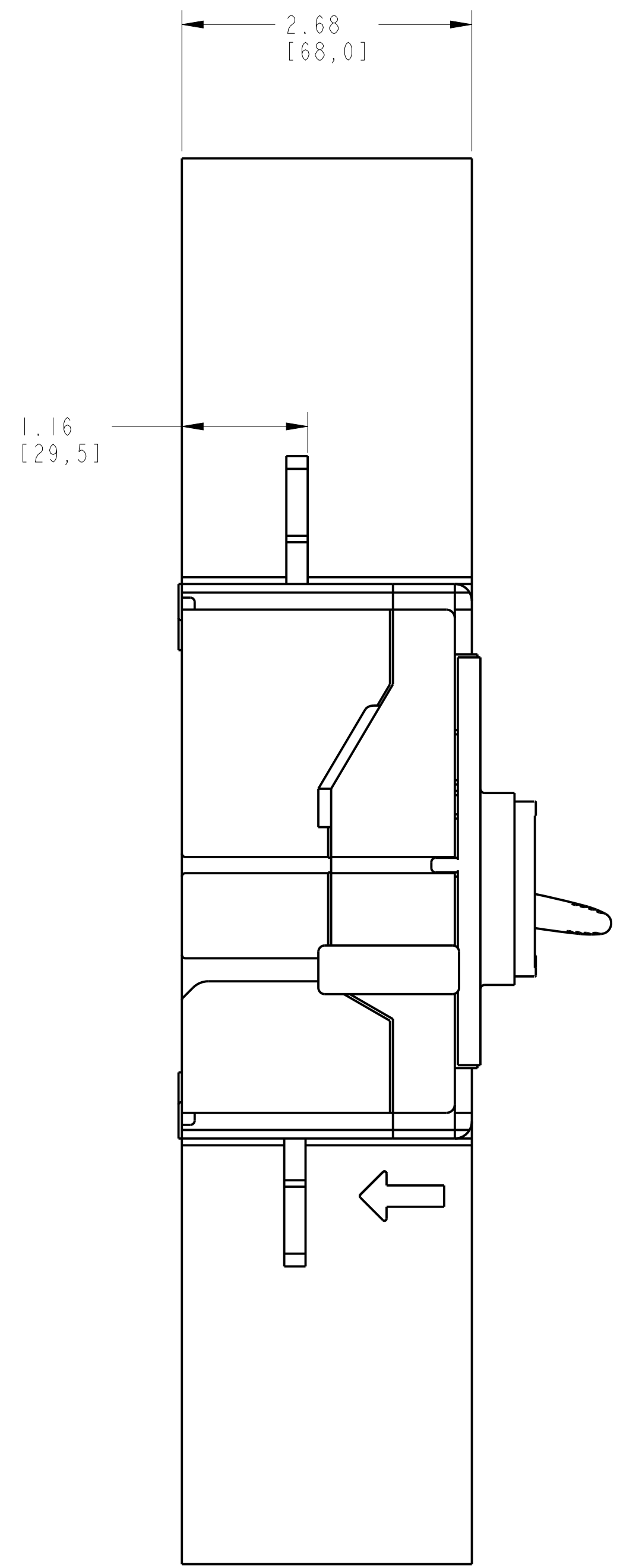
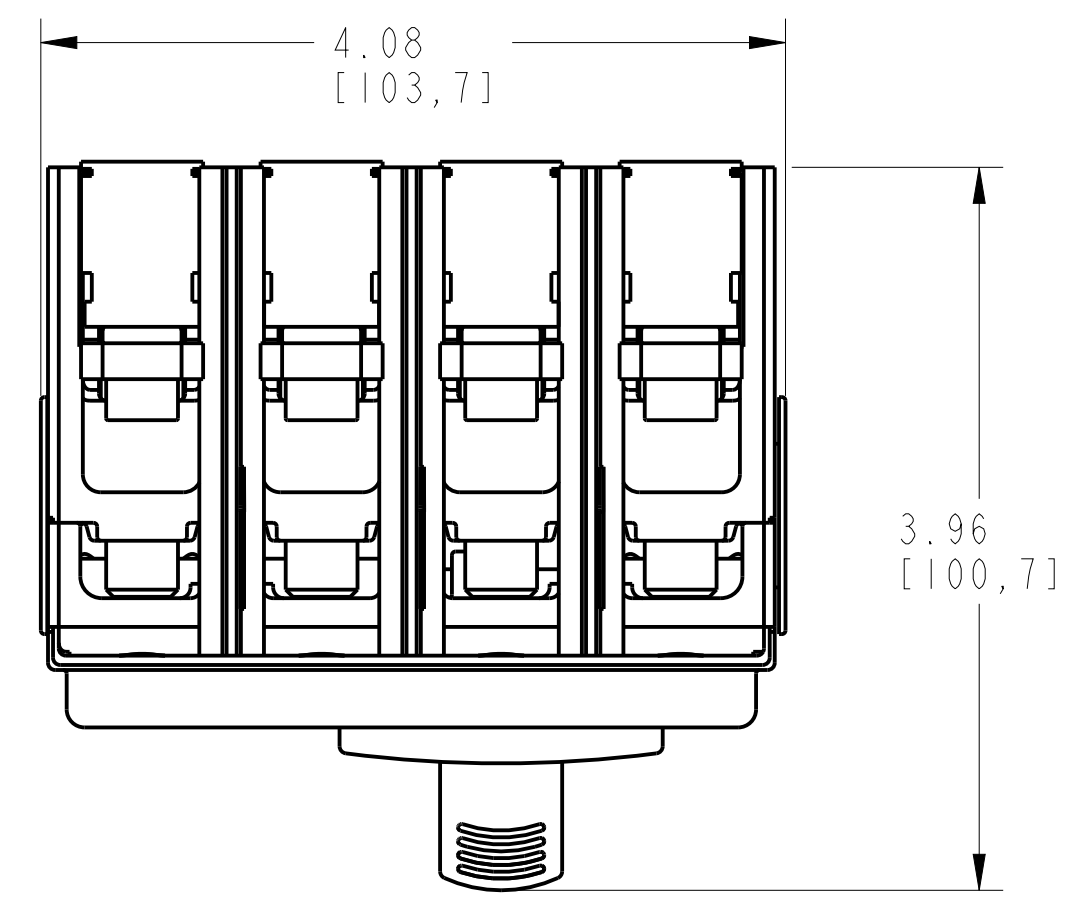


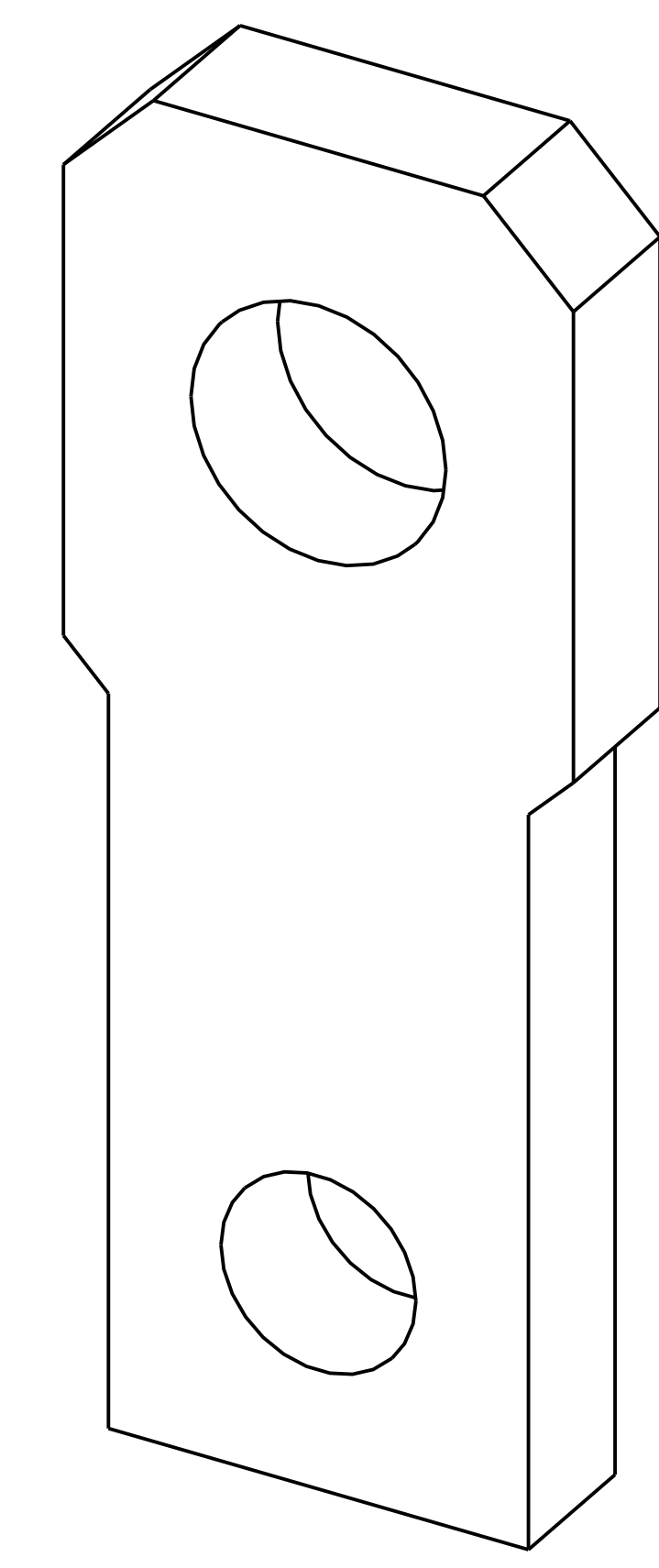
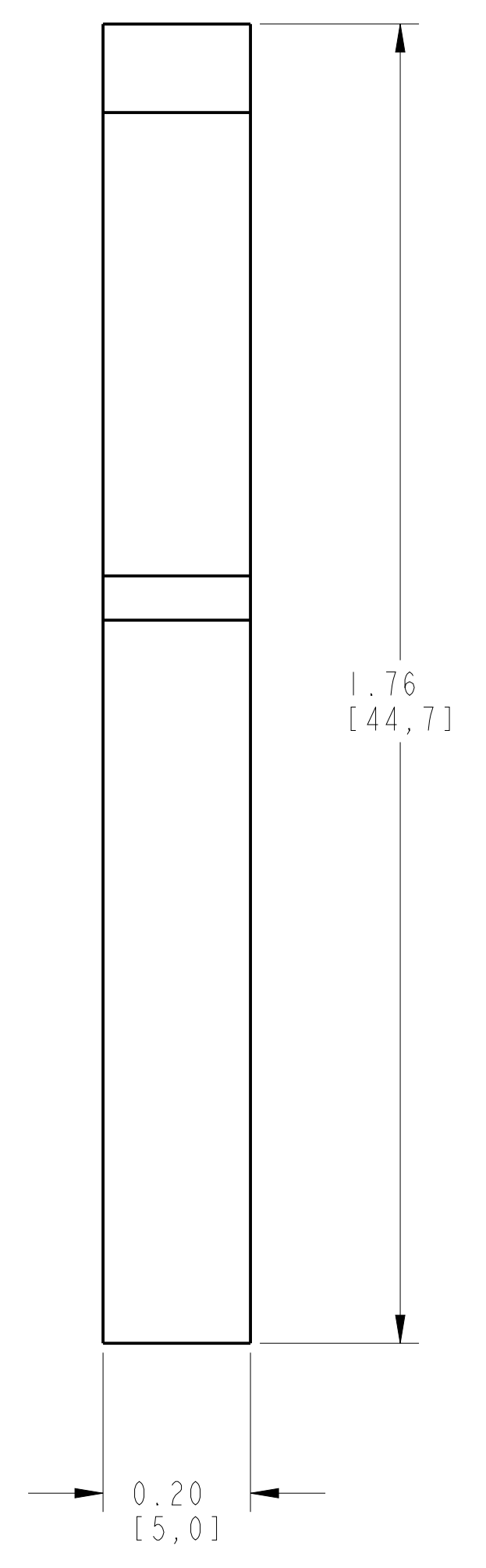
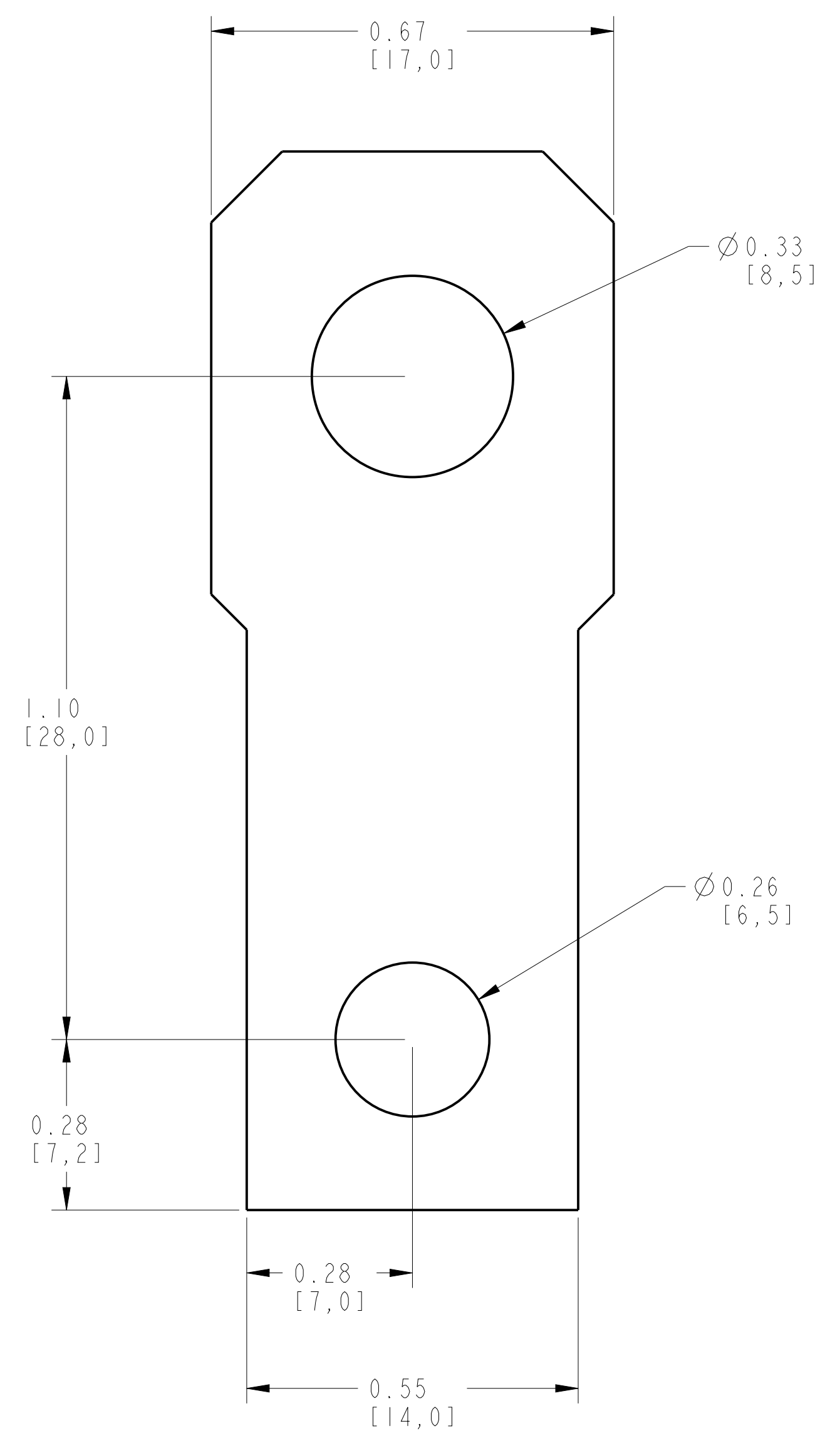
FRONT EXTENDED TERMINAL ASSEMBLY			
ITEM	DESCRIPTION	QTY	AB CAT NUMBER
1	MOLDED CASE CIRCUIT BREAKER	1	140G-G-4-POLE CB
2	FRONT EXTENDED TERMINAL (4 PCS)	2 SETS	140G-G-EXT4
3	PHASE BARRIERS LOW 4 POLE (3 PCS)	2 SETS	140G-G-PB4L
4	ENDCAP ASSEMBLY (4 PCS)	2 SETS	-



FRONT EXTENDED TERMINAL ASSEMBLED TO 140G-G-4-POLE
SCALE 0.95:1

1 2 3 4 5 6 7 8

A
B
C
D
E
F
G
H



ISOMETRIC VIEW

ITEM 2 : FRONT EXTENDED TERMINAL
SCALE 5:1

		<small>CONFIDENTIAL AND PROPRIETARY INFORMATION. THIS DOCUMENT CONTAINS CONFIDENTIAL AND PROPRIETARY INFORMATION OF ROCKWELL AUTOMATION, INC. AND MAY NOT BE USED, COPIED OR DISCLOSED TO OTHERS, EXCEPT WITH THE AUTHORIZED WRITTEN PERMISSION OF ROCKWELL AUTOMATION, INC.</small>	
		Sheet 2 Of 2	
FRT EXTENDED TERMINAL ASSEMBLED TO 140G-G-4-POLE CB		Size D	Ver 00
Drawn by: UMUNUSW	Date: 10-25-13	10000853648	