

1

2

3

4

5

6

7

8

MULTIPLE CABLE LUG ASSEMBLY

ITEM	DESCRIPTION	QTY	AB CAT NUMBER
1	MOLDED CASE CIRCUIT BREAKER	1	140G-G-3P CB
2	MULTIPLE CABLE LUG (3 PCS)	2 SETS	140G-G-MTL63
3	TERMINAL COVER HIGH	2	140G-G-TC3H

A

B

C

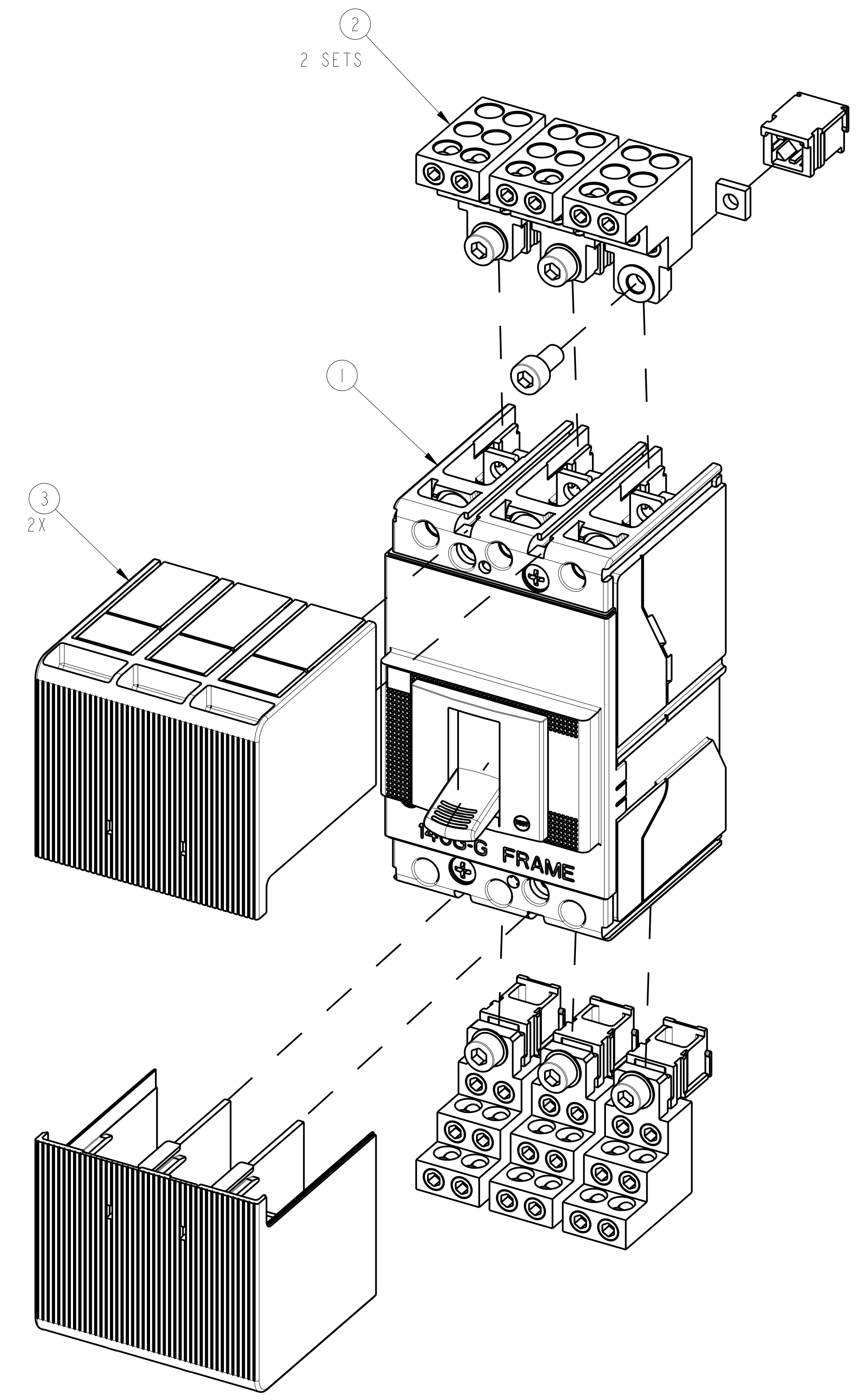
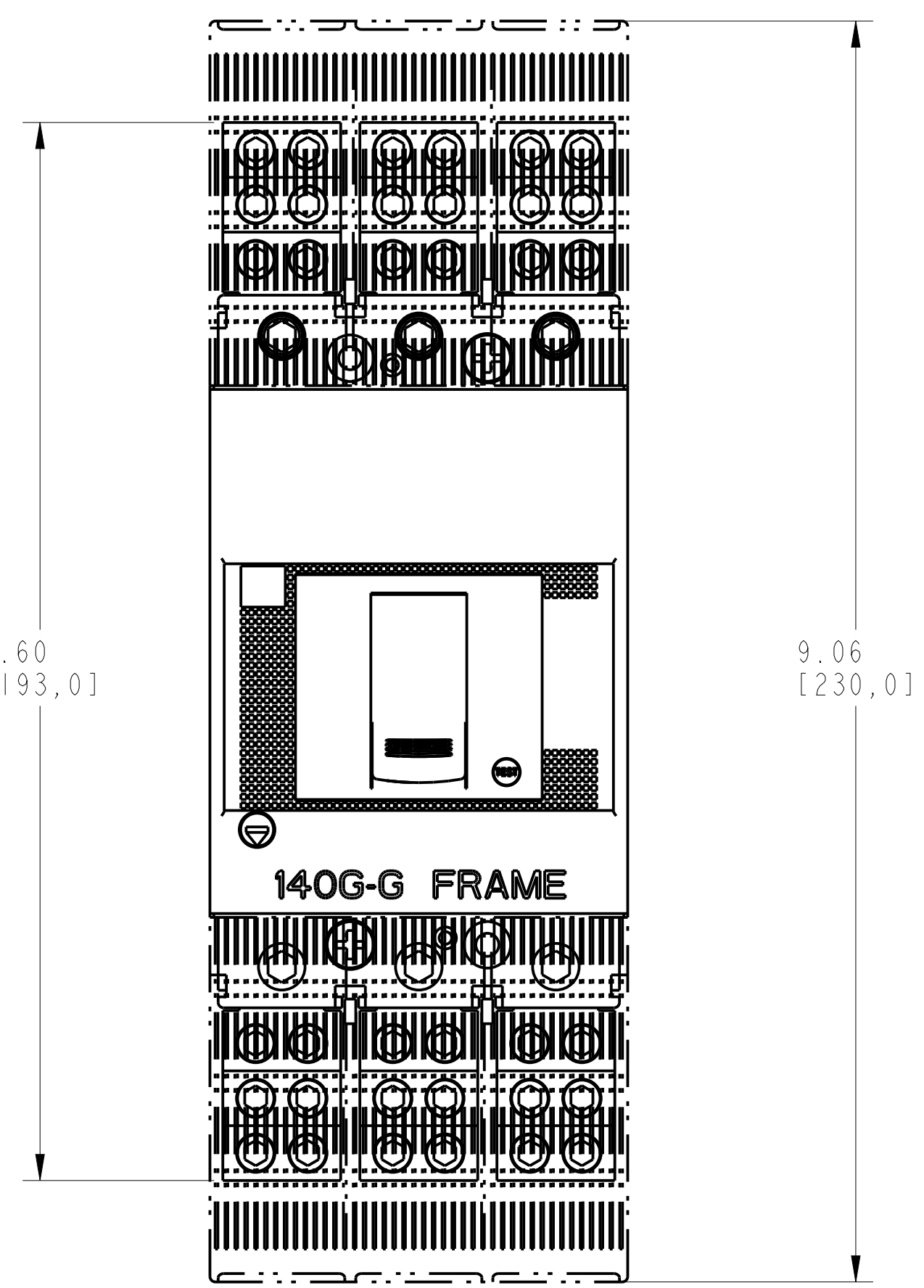
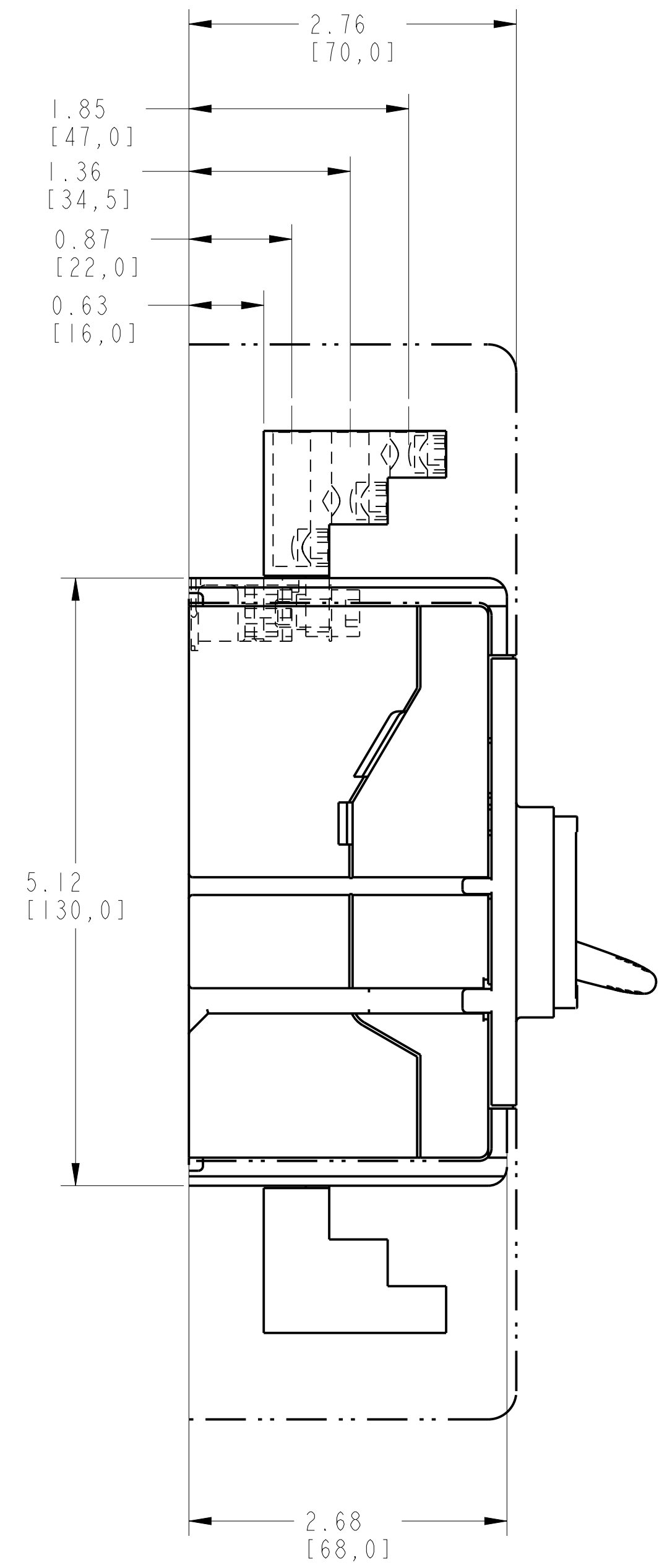
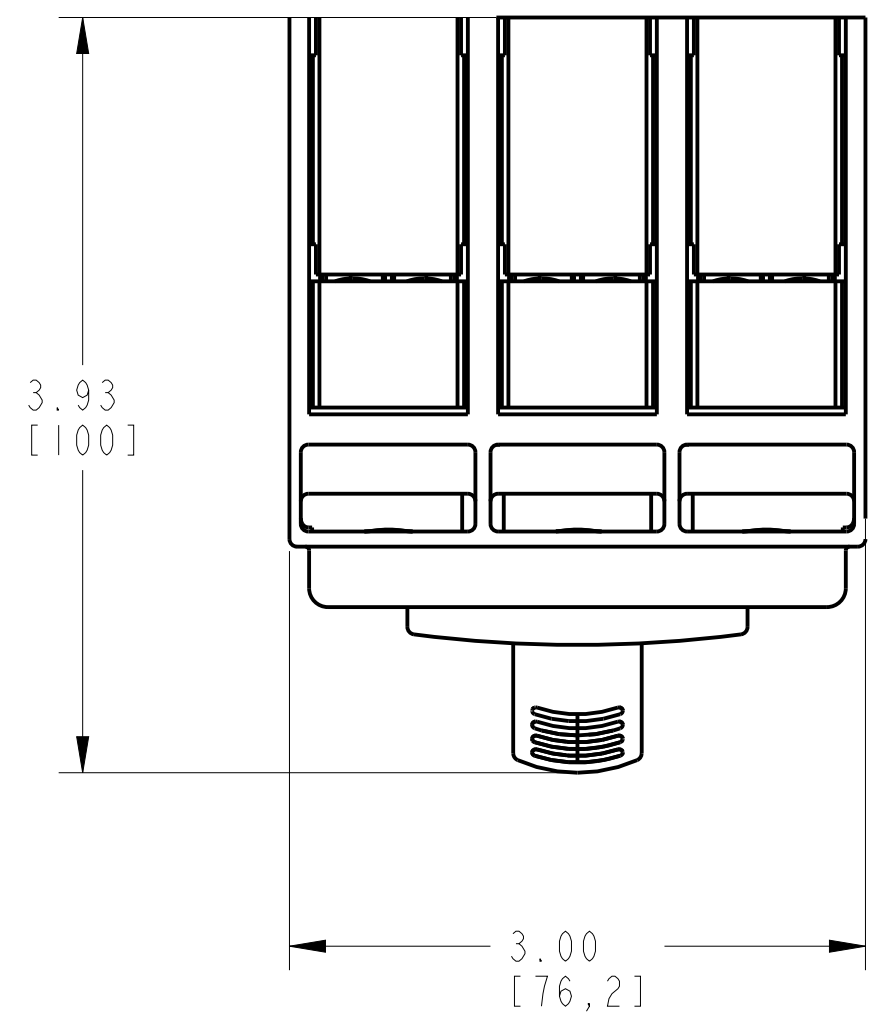
D

E

F

G

H



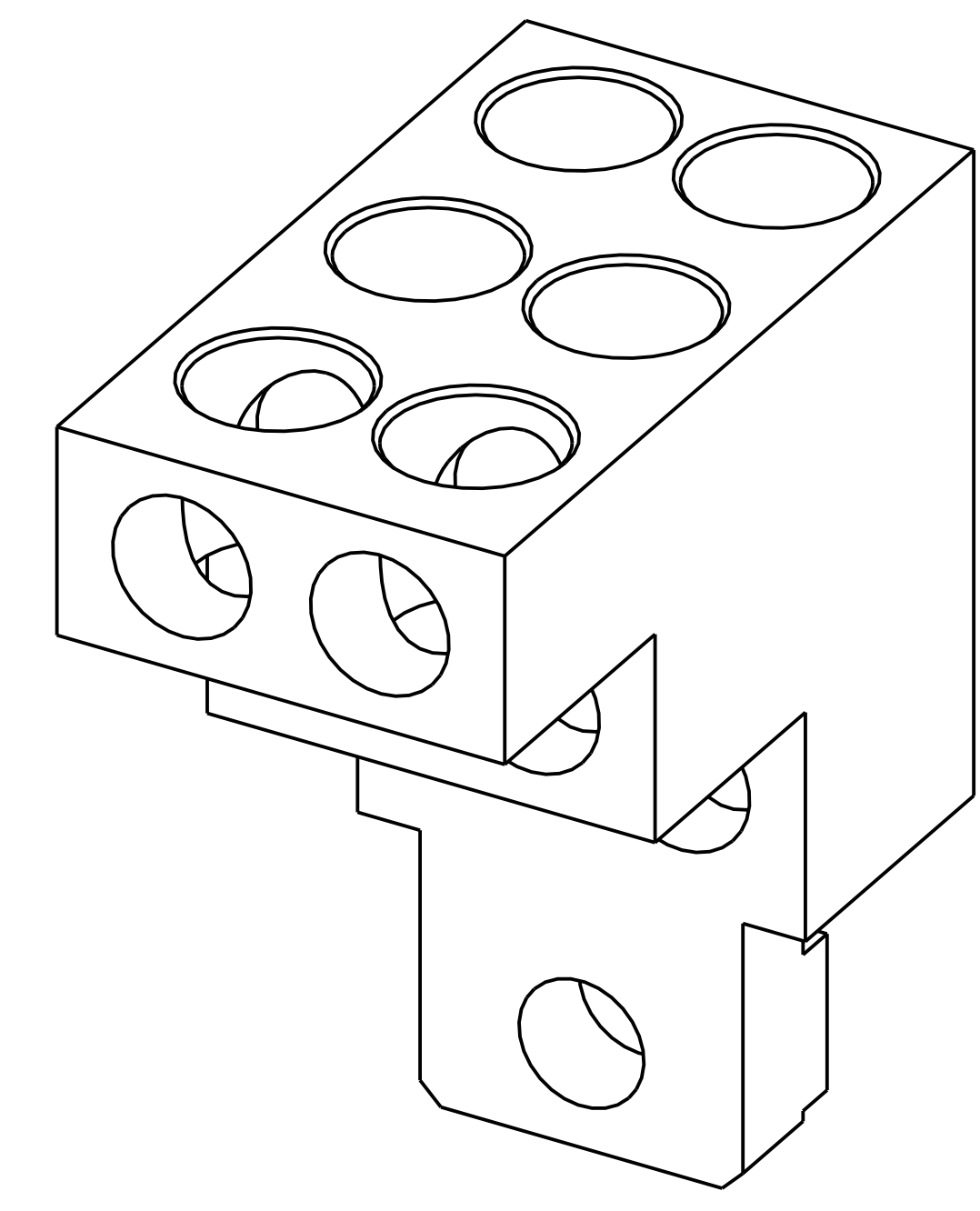
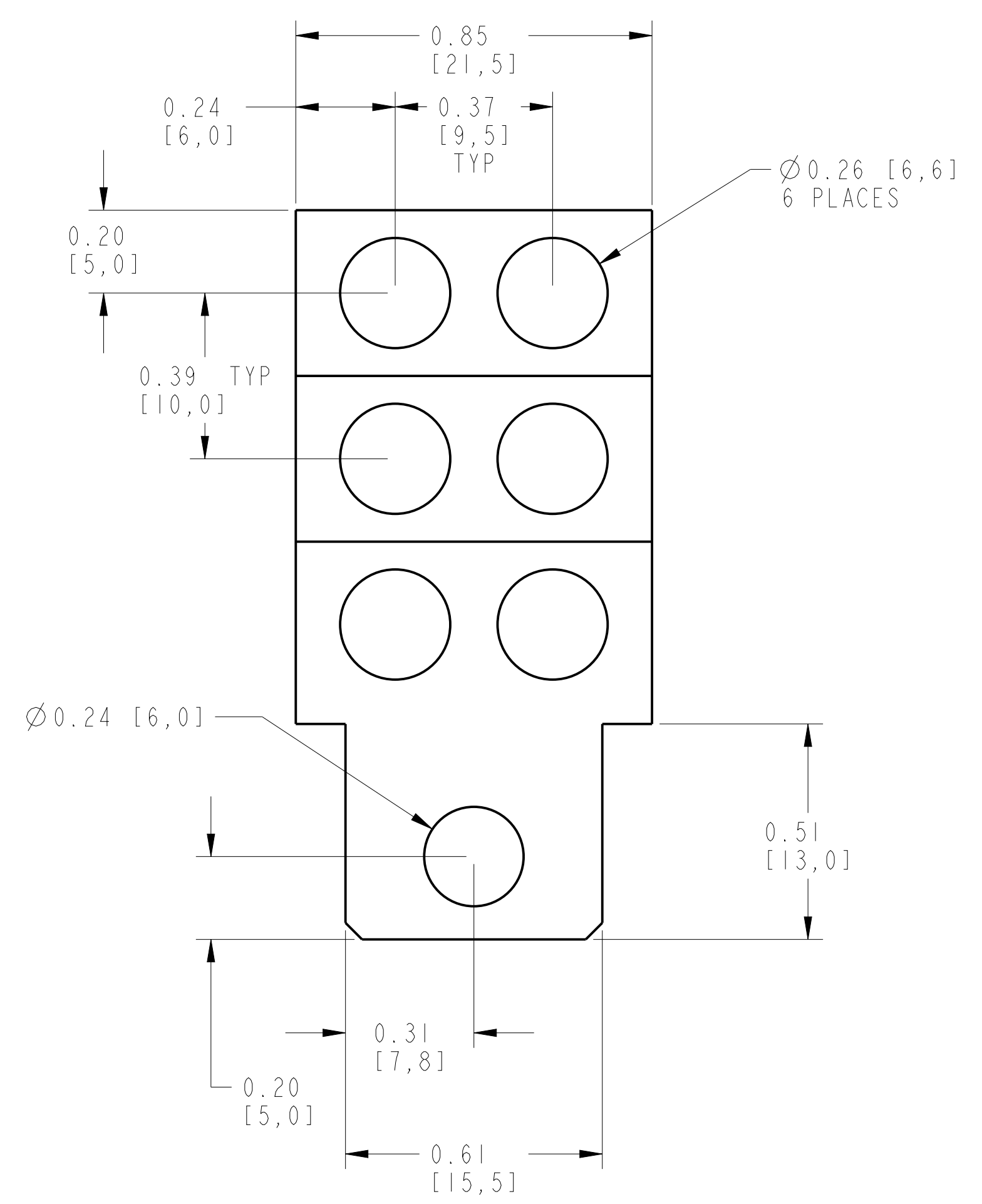
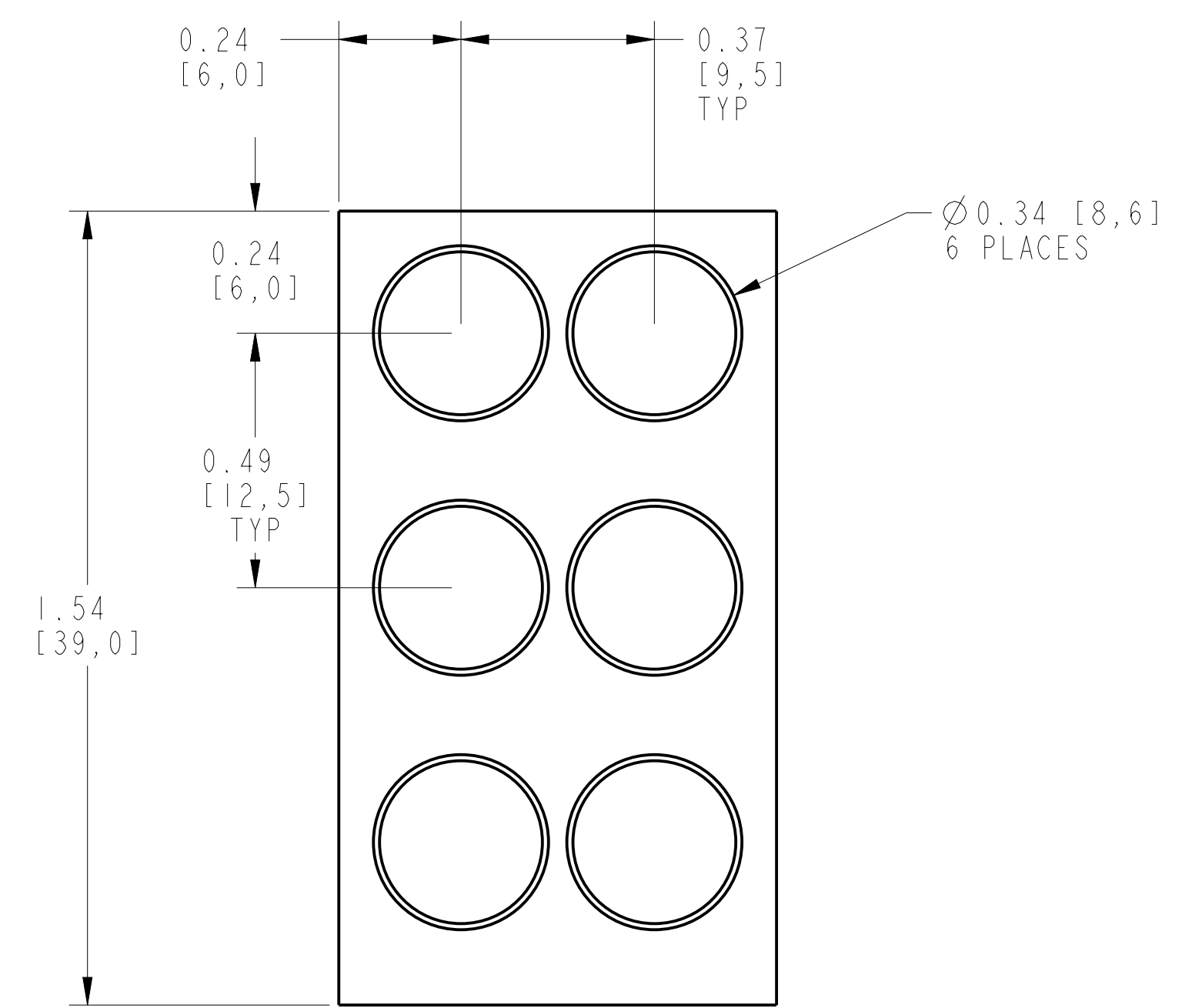
MULTIPLE CABLE LUG ASSEMBLED TO 140G-G-3-POLE

SCALE 1:1

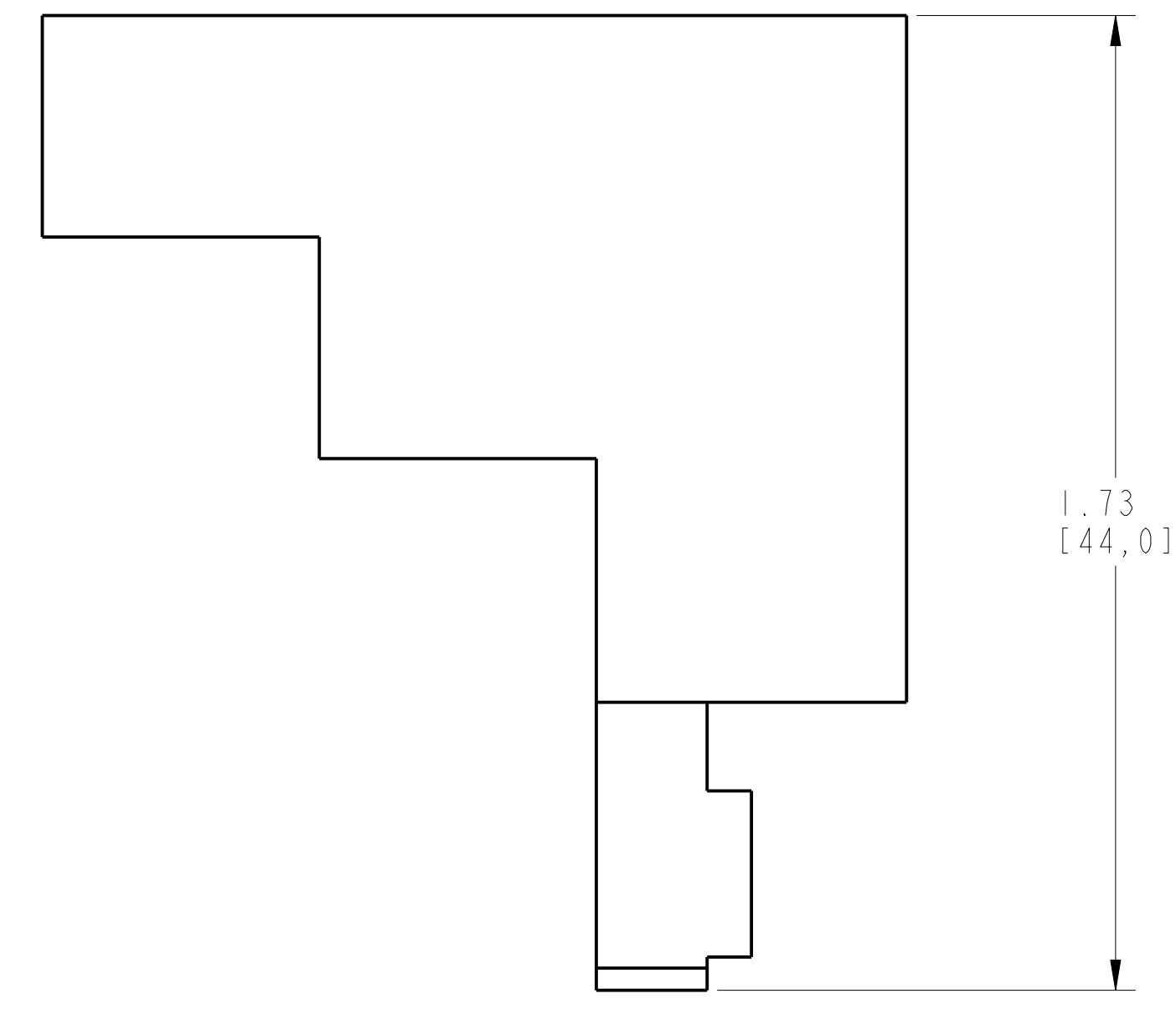
		<small>CONFIDENTIAL AND PROPRIETARY INFORMATION. THIS DOCUMENT CONTAINS CONFIDENTIAL AND PROPRIETARY INFORMATION OF ROCKWELL AUTOMATION, INC. AND MAY NOT BE USED, COPIED OR DISCLOSED TO OTHERS, EXCEPT WITH THE AUTHORIZED WRITTEN PERMISSION OF ROCKWELL AUTOMATION, INC.</small>	
		Sheet 1 Of 2	
MCCU LUG ASSEMBLED TO 140G-G-3-POLE		Size D	Ver 10000839462 00
Drawn by: UMUNUSW	Date: 10-25-13		

1 2 3 4 5 6 7 8

A
B
C
D
E
F
G
H



ISOMETRIC VIEW



ITEM 2 : MULTIPLE CABLE LUG
SCALE 3.50:1

		<small>CONFIDENTIAL AND PROPRIETARY INFORMATION. THIS DOCUMENT CONTAINS CONFIDENTIAL AND PROPRIETARY INFORMATION OF ROCKWELL AUTOMATION, INC. AND MAY NOT BE USED, COPIED OR DISCLOSED TO OTHERS, EXCEPT WITH THE AUTHORIZED WRITTEN PERMISSION OF ROCKWELL AUTOMATION, INC.</small>	
		Sheet 2 Of 2	
MCCU LUG ASSEMBLED TO 140G-G-3-POLE		Size D	Ver 00
Drawn by: UMUNUSW	Date: 10-25-13	10000839462	