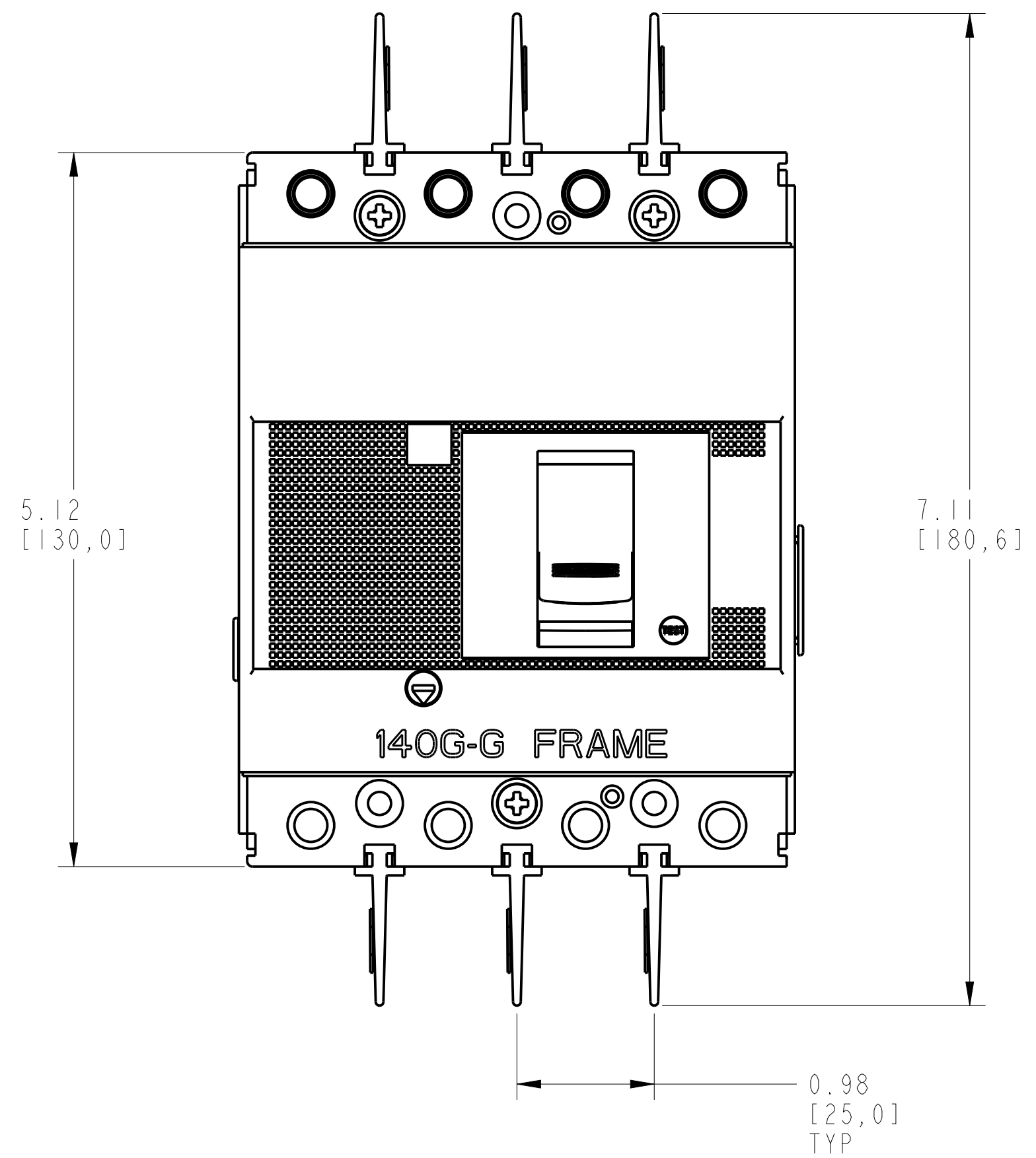
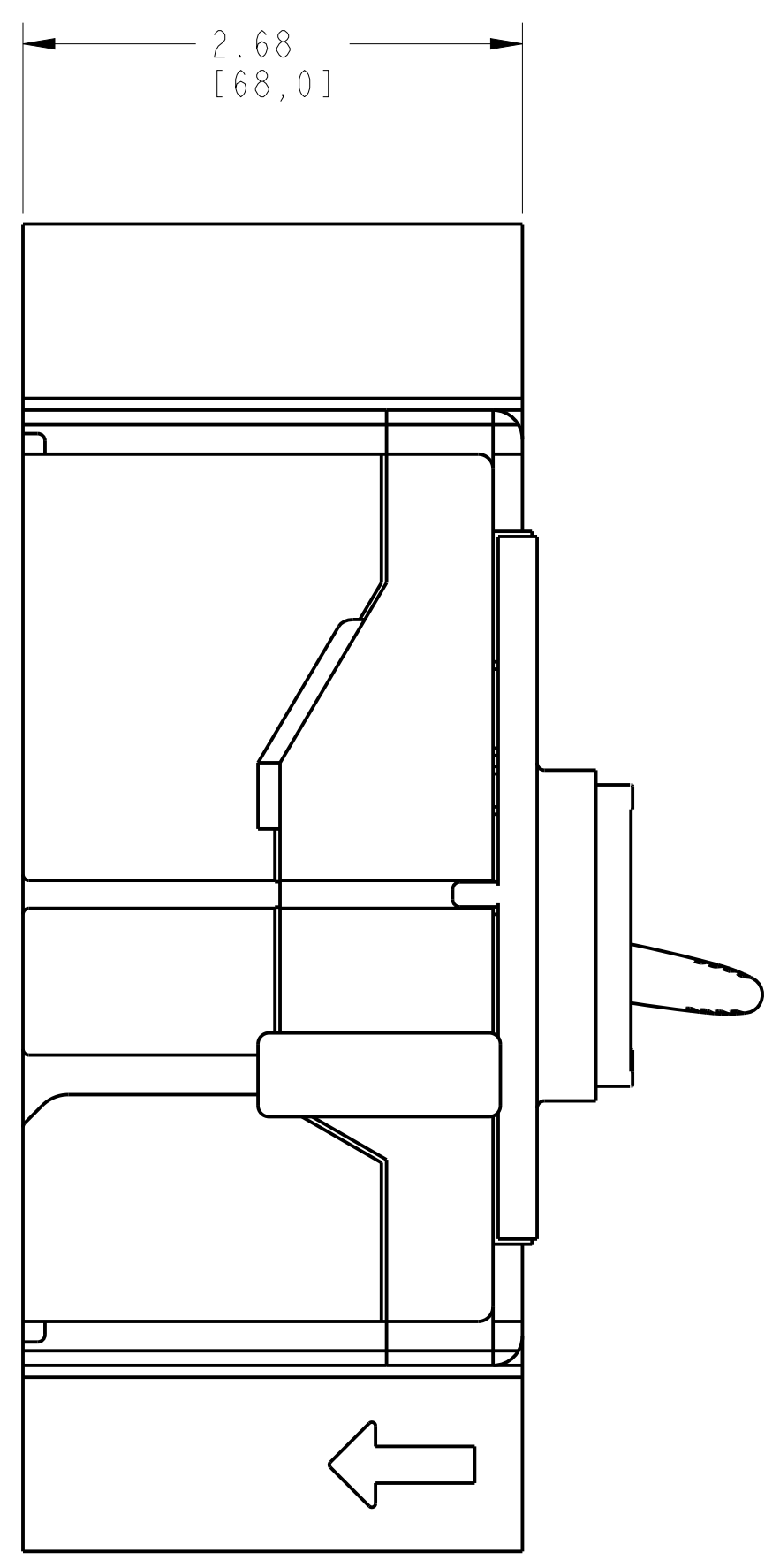
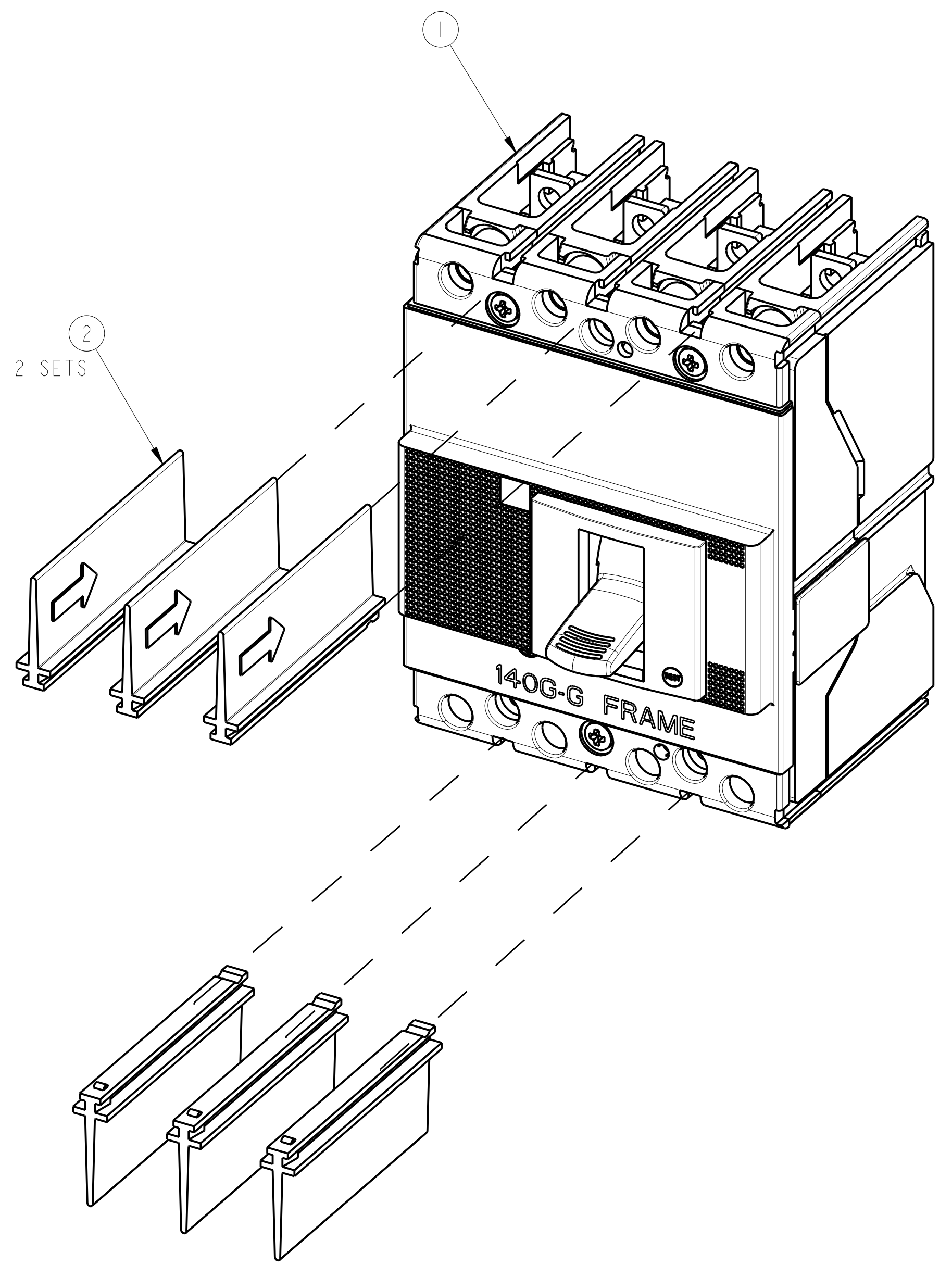
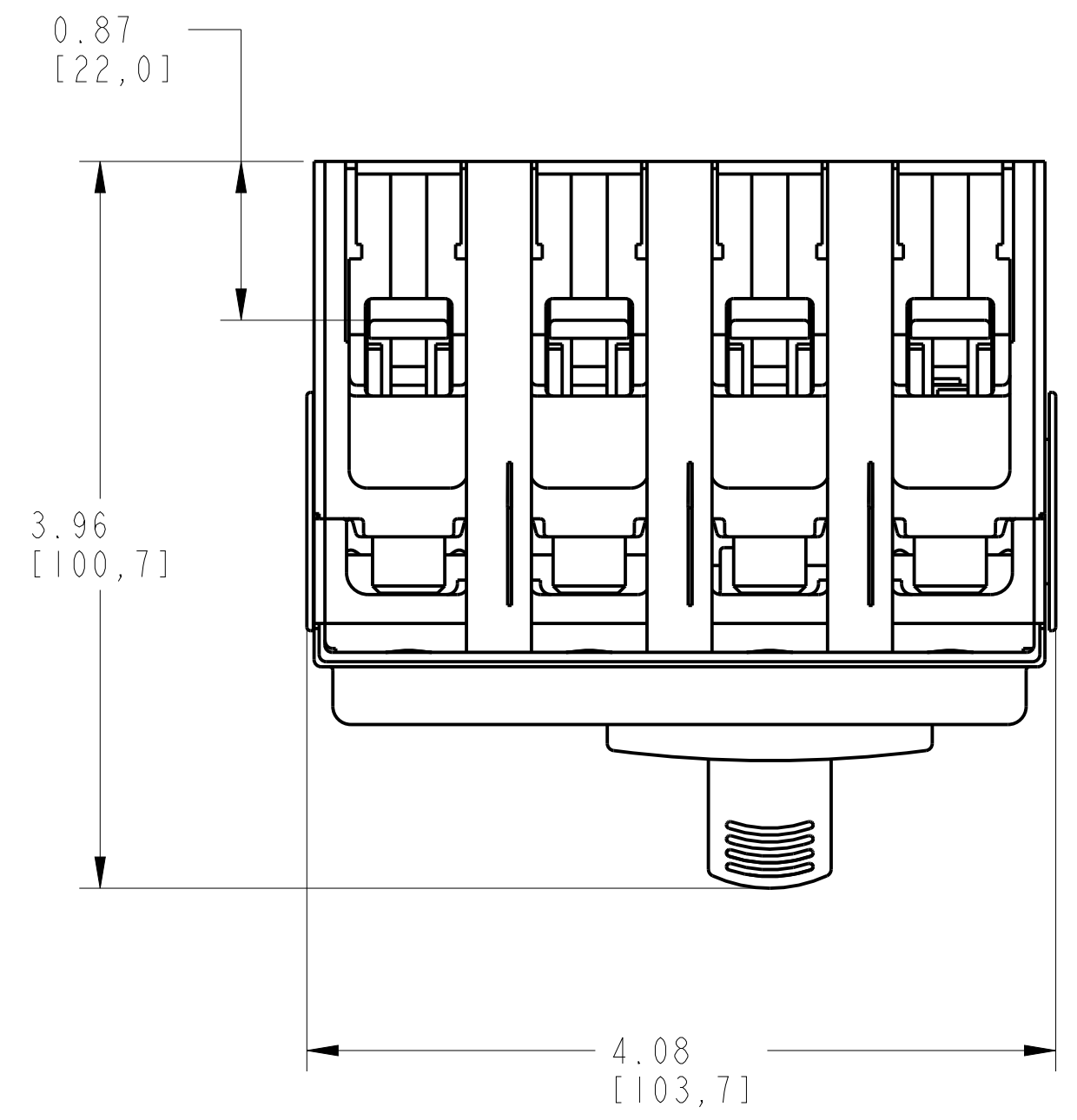


1 2 3 4 5 6 7 8

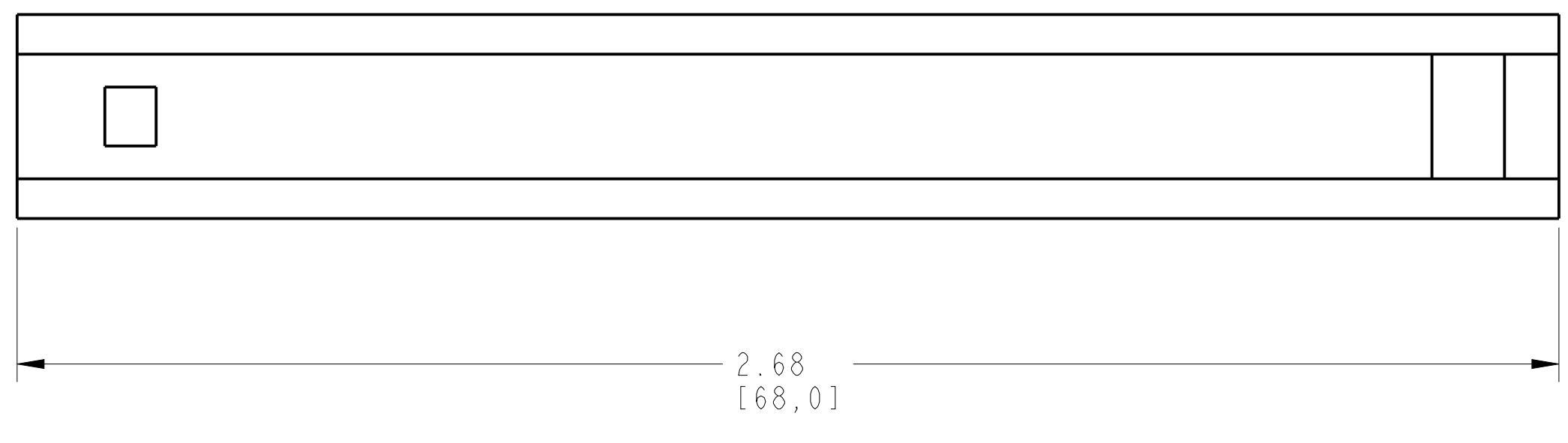
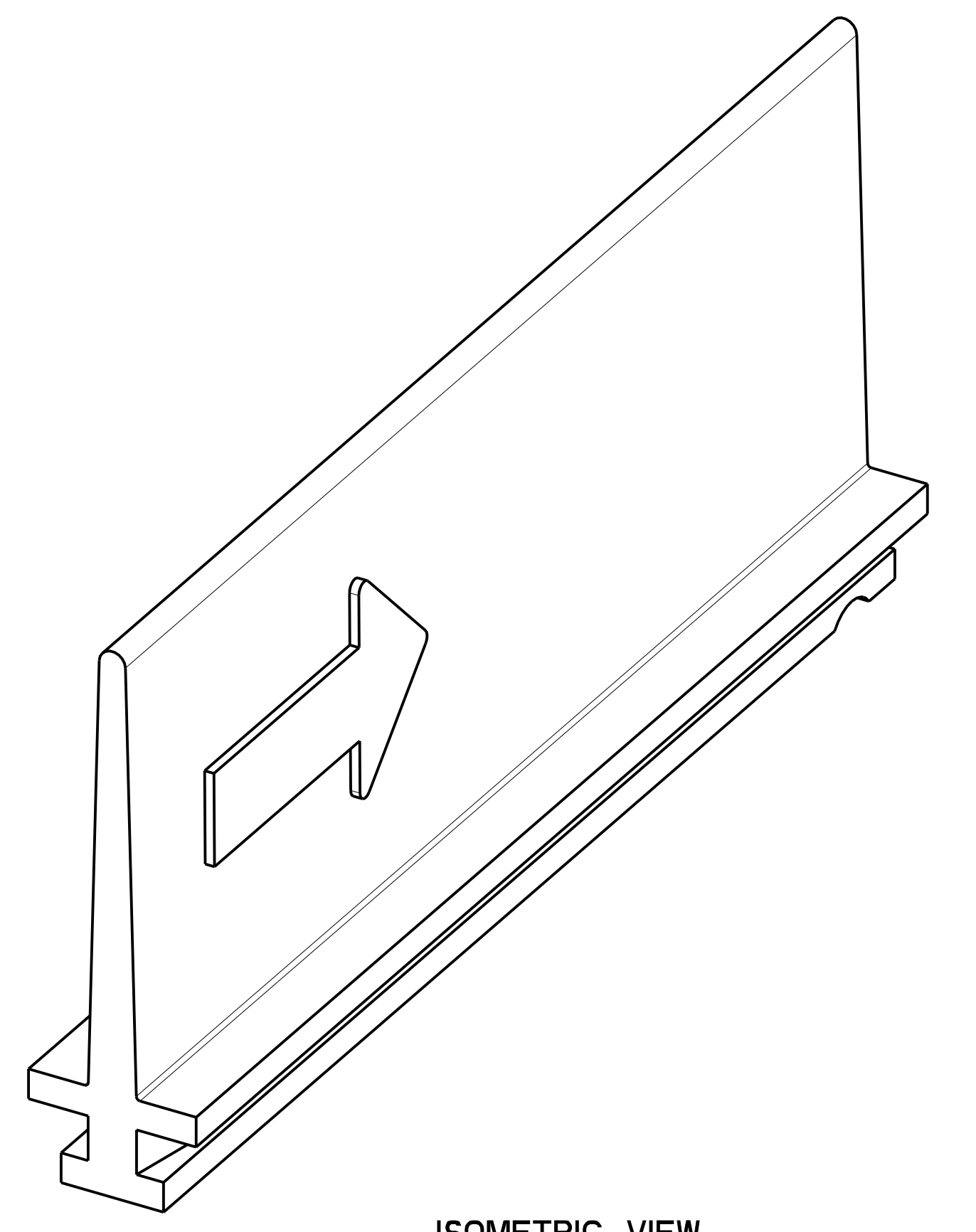
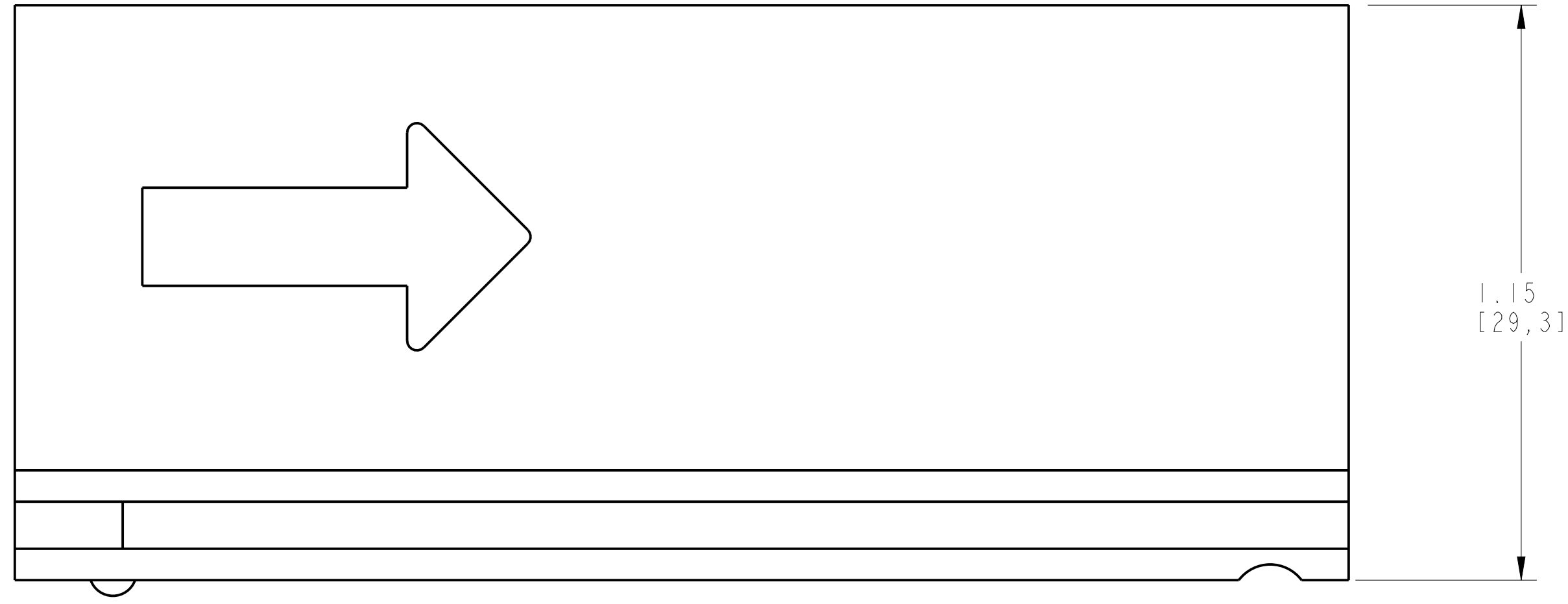
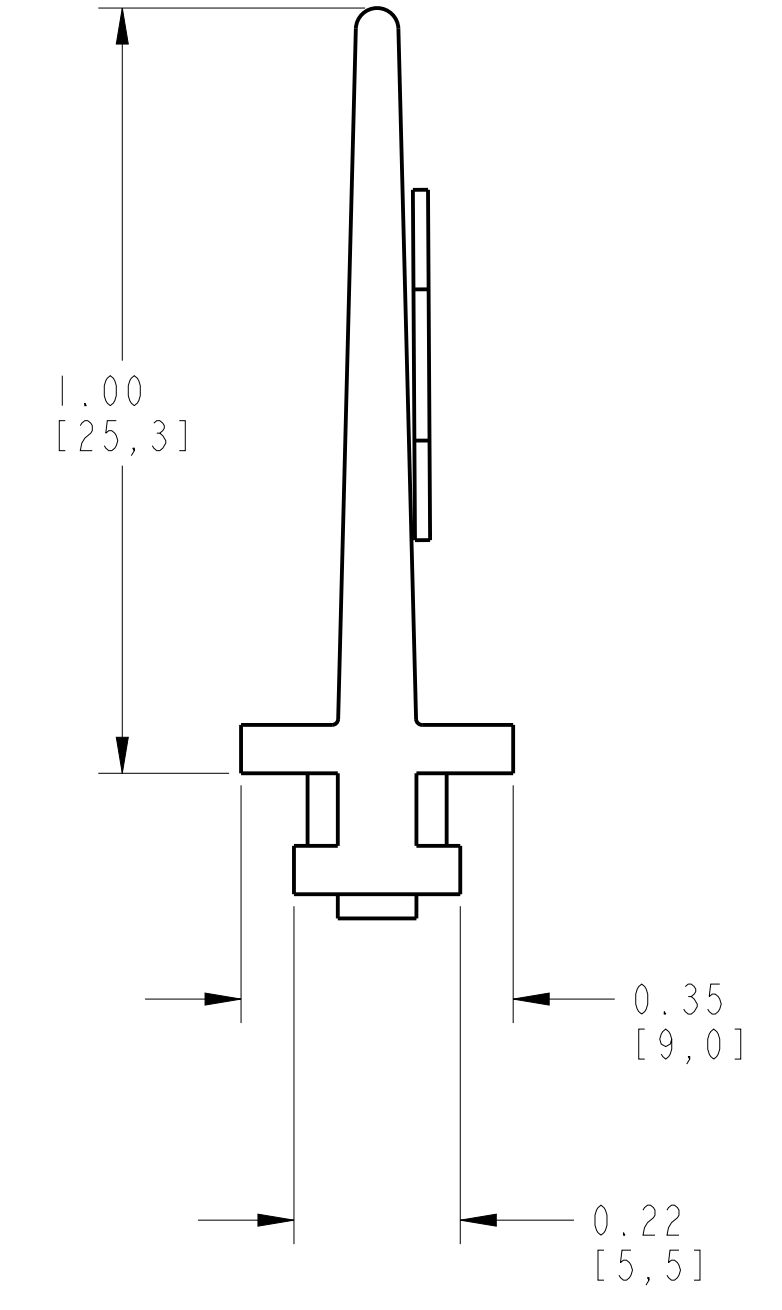
PHASE BARRIERS 25 MM ASSEMBLY

ITEM	DESCRIPTION	QTY	AB CAT NUMBER
1	MOLDED CASE CIRCUIT BREAKER	1	140G-G-4P CB
2	PHASE BARRIERS 25MM (3 PCS)	2 SETS	140G-G-PB4M



PHASE BARRIERS ASSEMBLED TO 140G-G-4-POLE
SCALE 1.1:1

		<small>CONFIDENTIAL AND PROPRIETARY INFORMATION. THIS DOCUMENT CONTAINS CONFIDENTIAL AND PROPRIETARY INFORMATION OF ROCKWELL AUTOMATION, INC. AND MAY NOT BE USED, COPIED OR DISCLOSED TO OTHERS, EXCEPT WITH THE AUTHORIZED WRITTEN PERMISSION OF ROCKWELL AUTOMATION, INC.</small>	
		Sheet 1 Of 2	
PB-25MM ASSEMBLED TO 140G-G-4POLE CB		Size D	Ver 00
Drawn by: UMUNUSW	Date: 10-10-13	10000841409	



ITEM 2 : PHASE BARRIERS 25MM
SCALE 4:1

		<small>CONFIDENTIAL AND PROPRIETARY INFORMATION THIS DOCUMENT CONTAINS CONFIDENTIAL AND PROPRIETARY INFORMATION OF ROCKWELL AUTOMATION, INC. AND MAY NOT BE USED, COPIED OR DISCLOSED TO OTHERS, EXCEPT WITH THE AUTHORIZED WRITTEN PERMISSION OF ROCKWELL AUTOMATION, INC.</small>	
		Sheet 2 Of 2	
PB-25MM ASSEMBLED TO 140G-G-4POLE CB		Size D	Ver 00
Drawn by: UMUNUSW	Date: 10-10-13	10000841409	