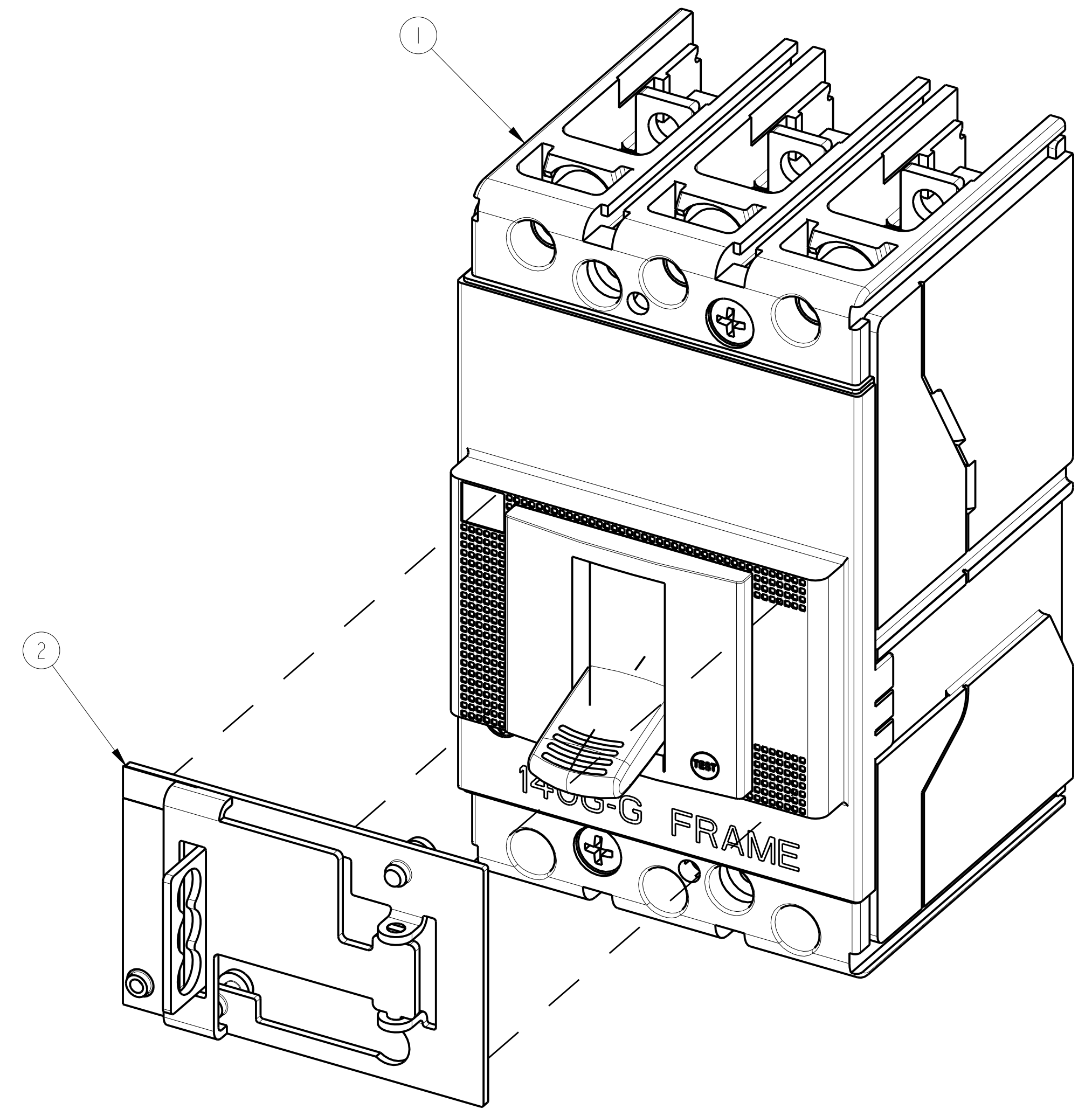
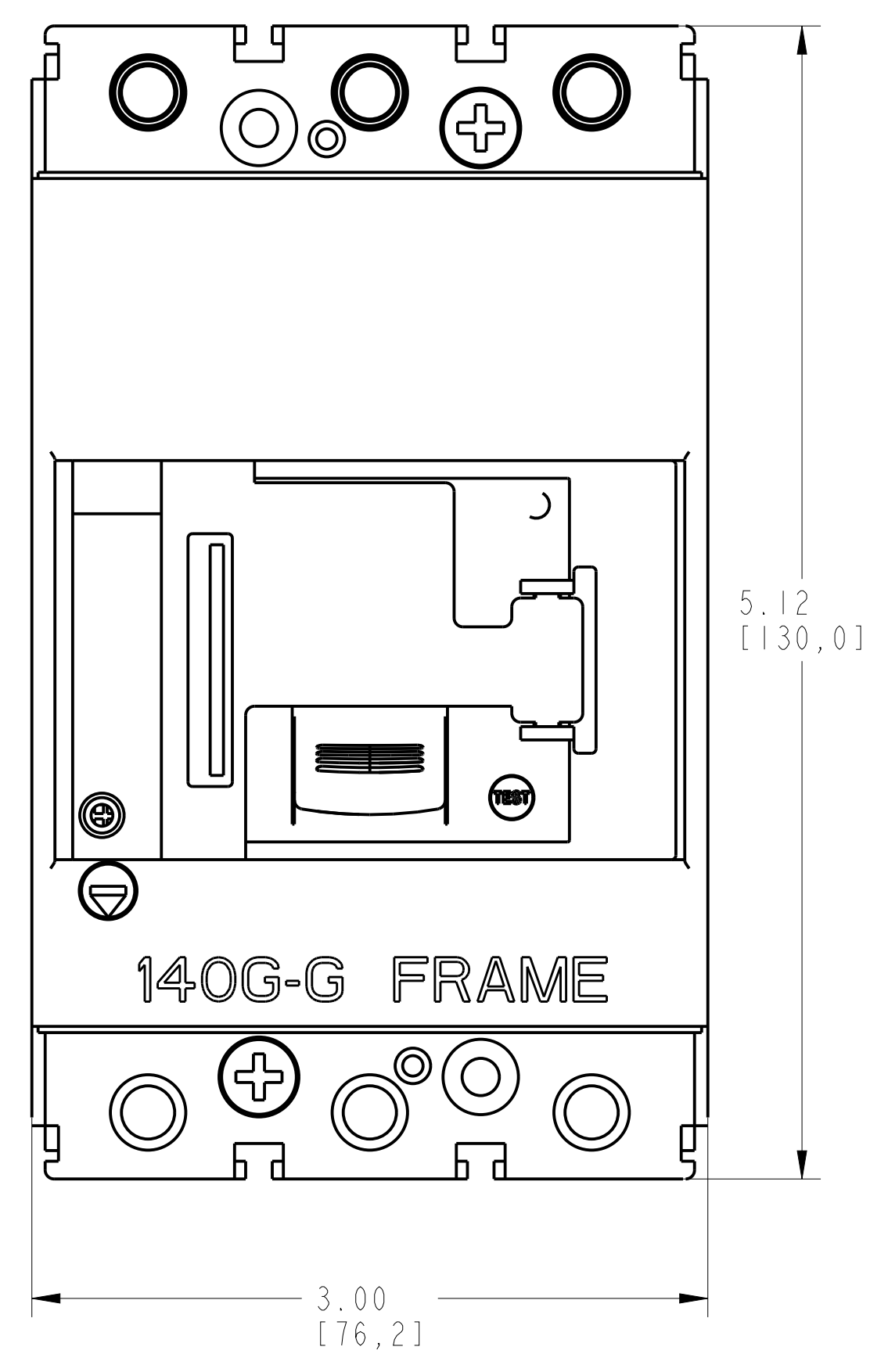
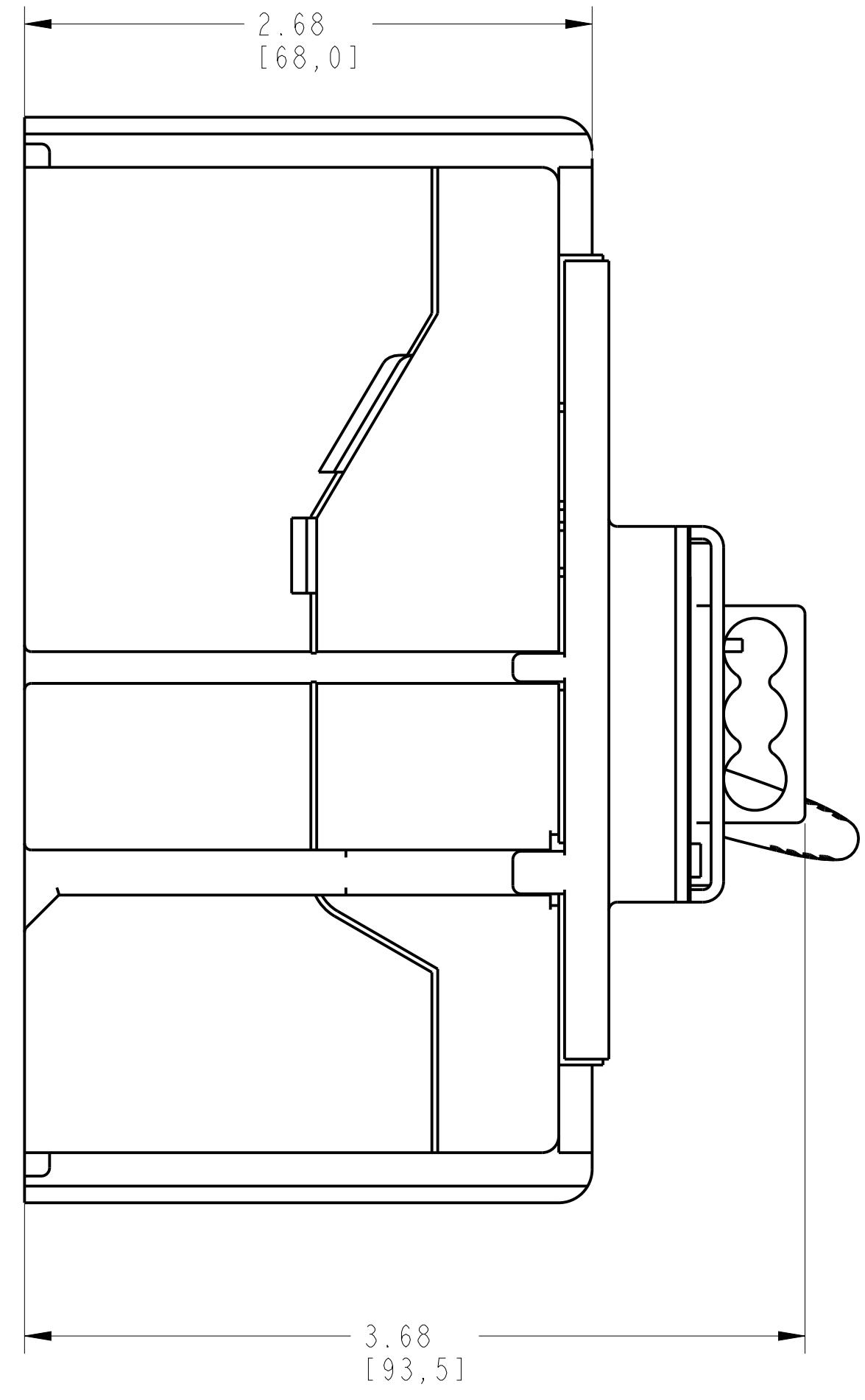
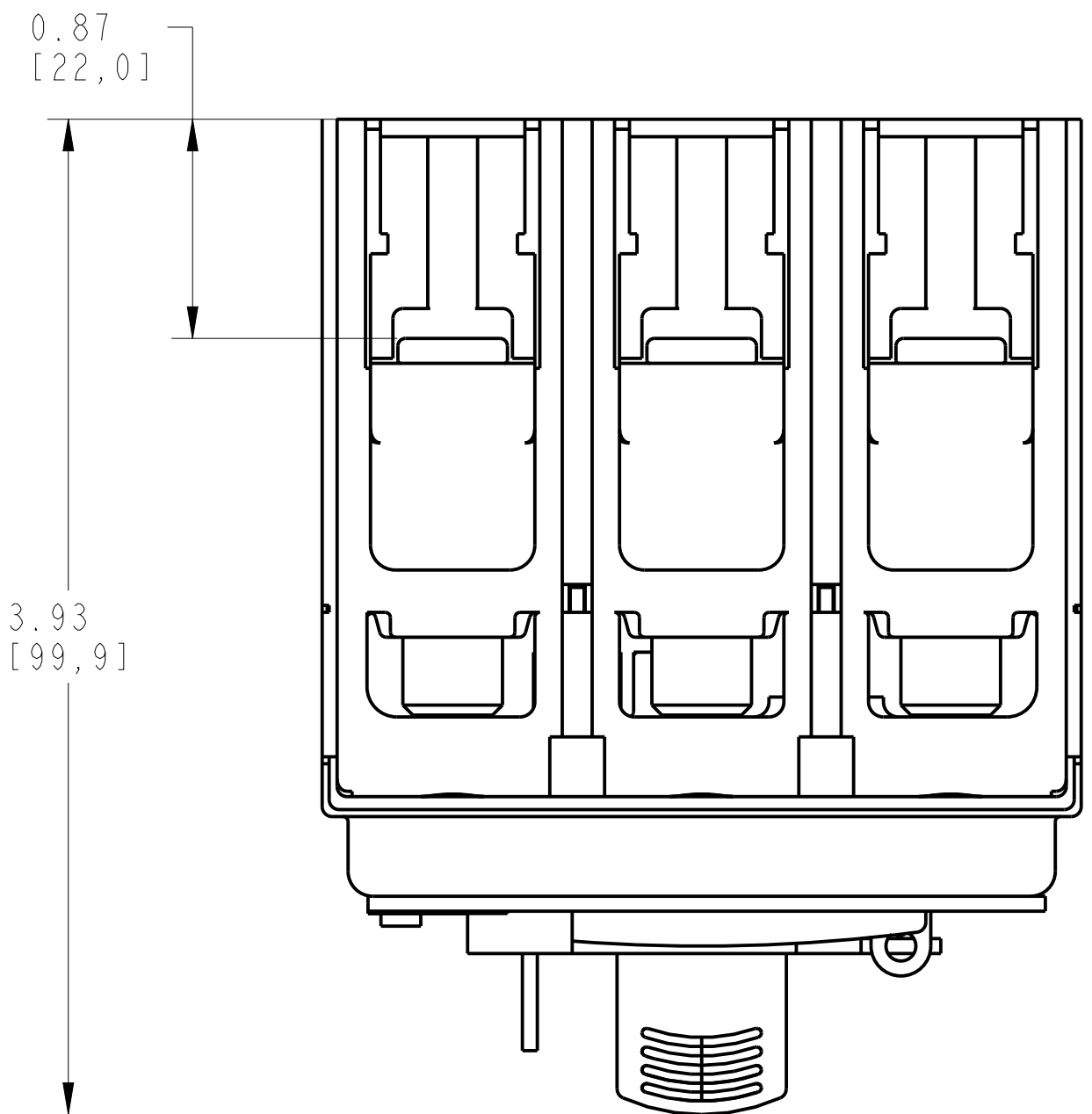


PADLOCK ADAPTER ASSEMBLY

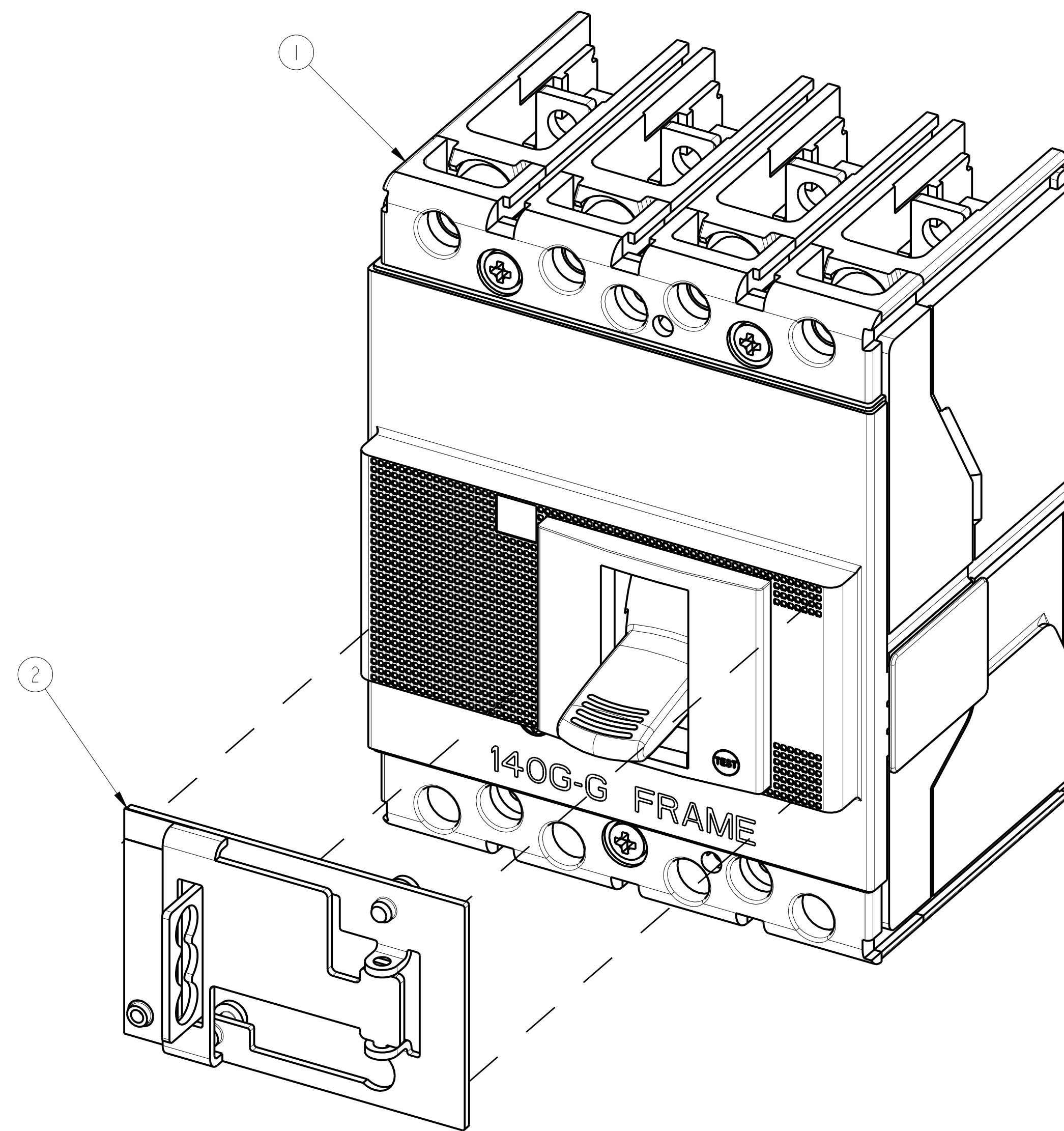
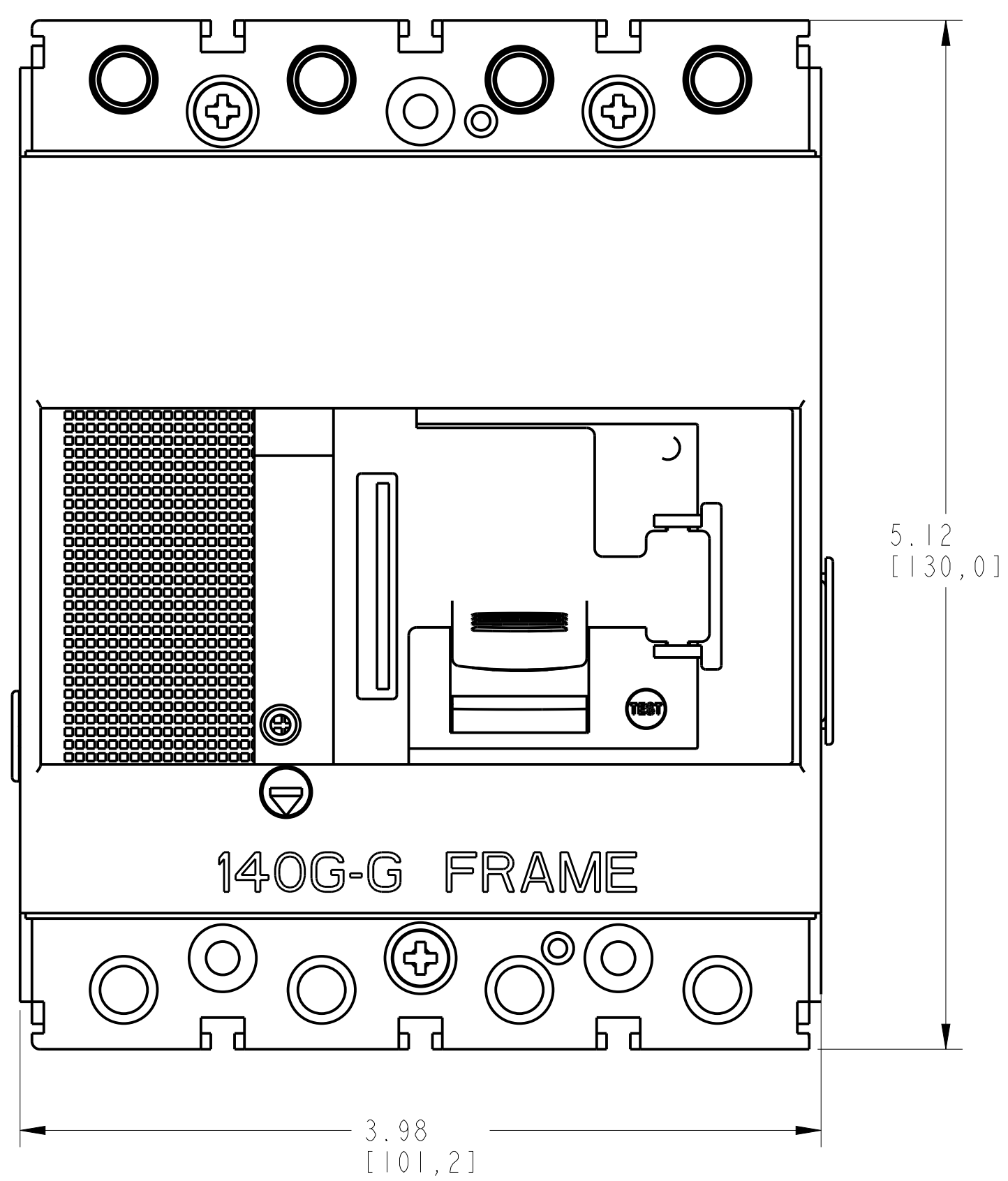
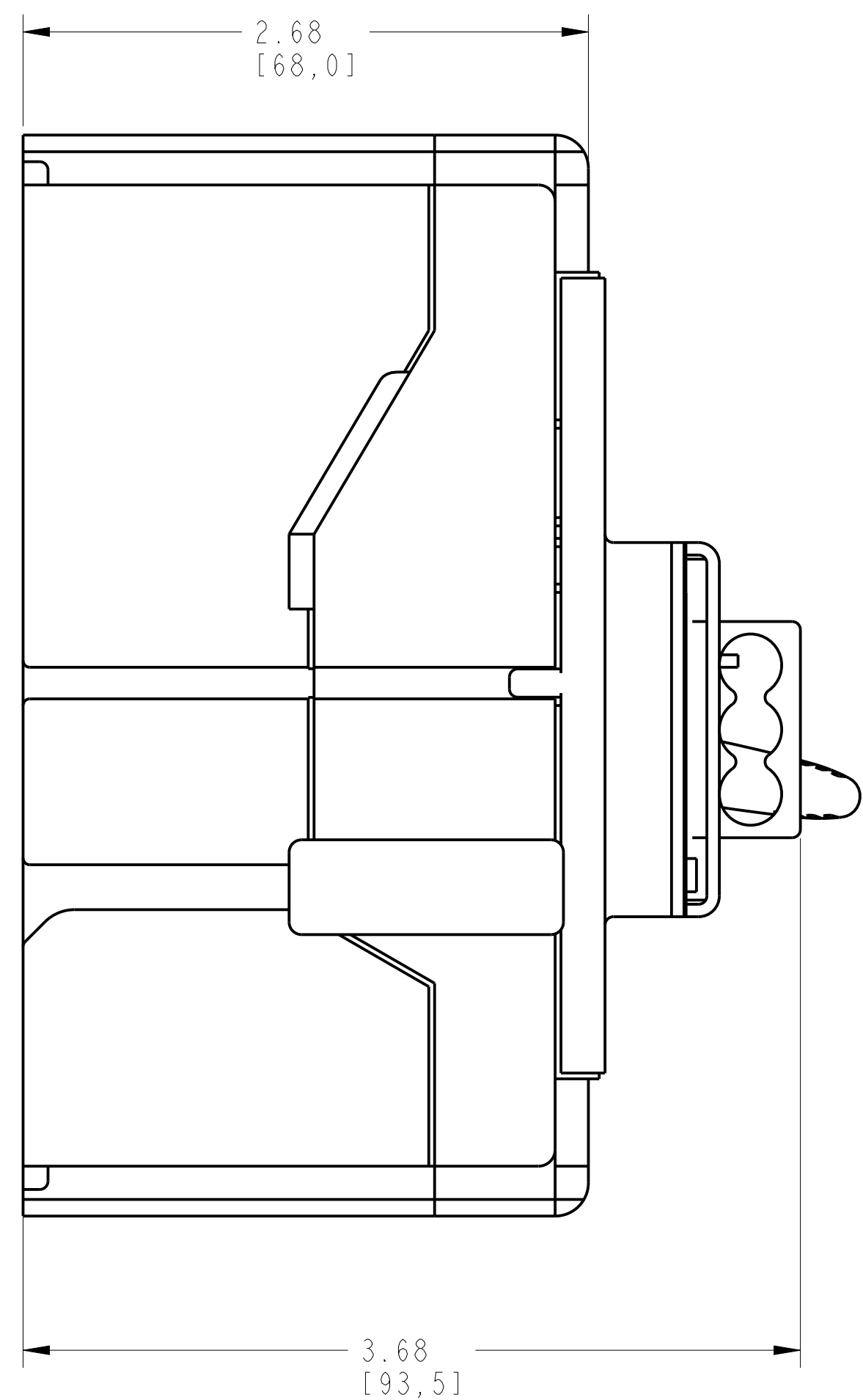
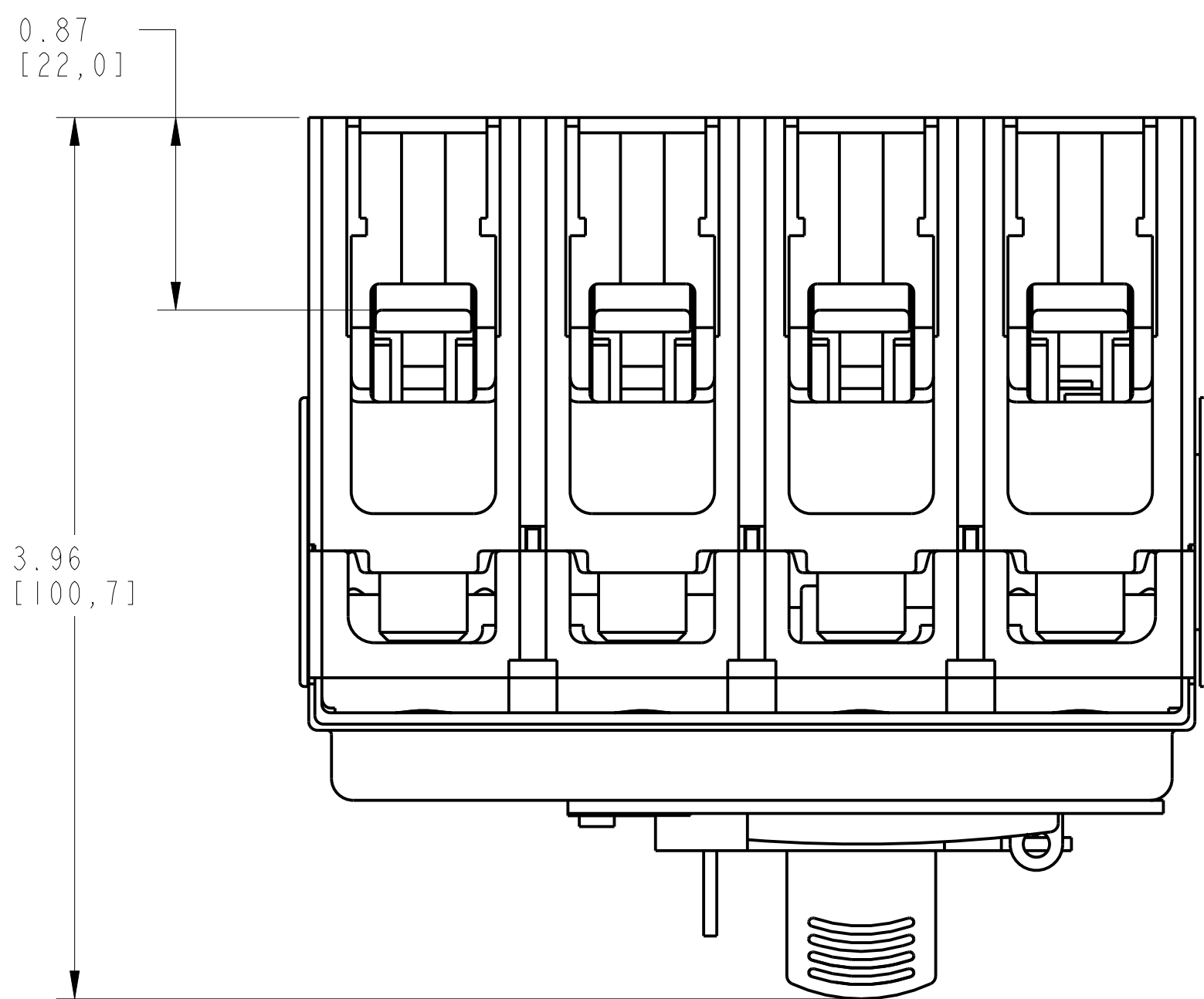
| ITEM | DESCRIPTION | QTY | AB CAT NUMBER |
|------|-----------------------------|-----|---------------|
| 1 | MOLDED CASE CIRCUIT BREAKER | 1 | 140G-G-3P CB |
| 2 | PADLOCK ADAPTER | 1 | 140G-G-PL |



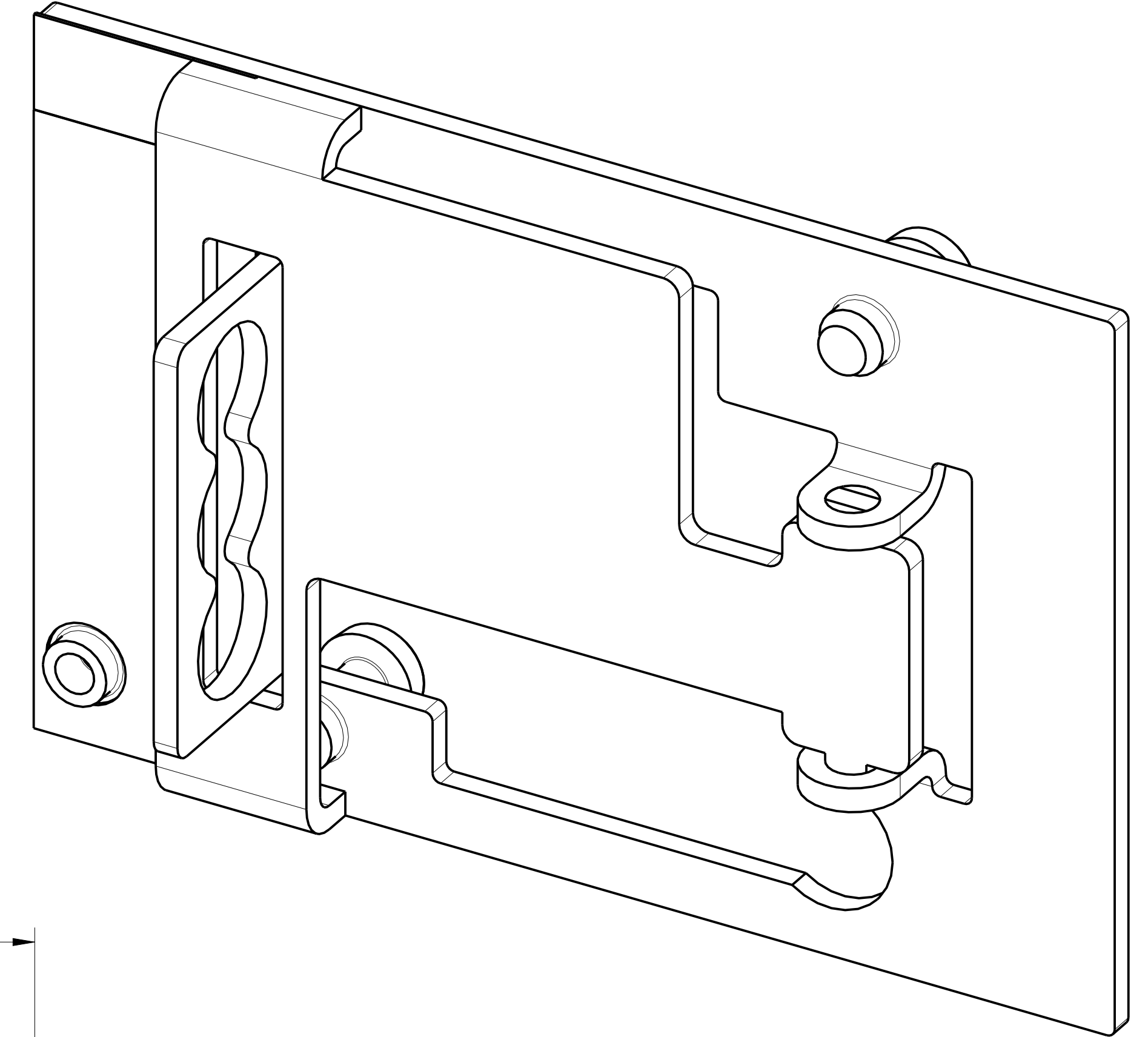
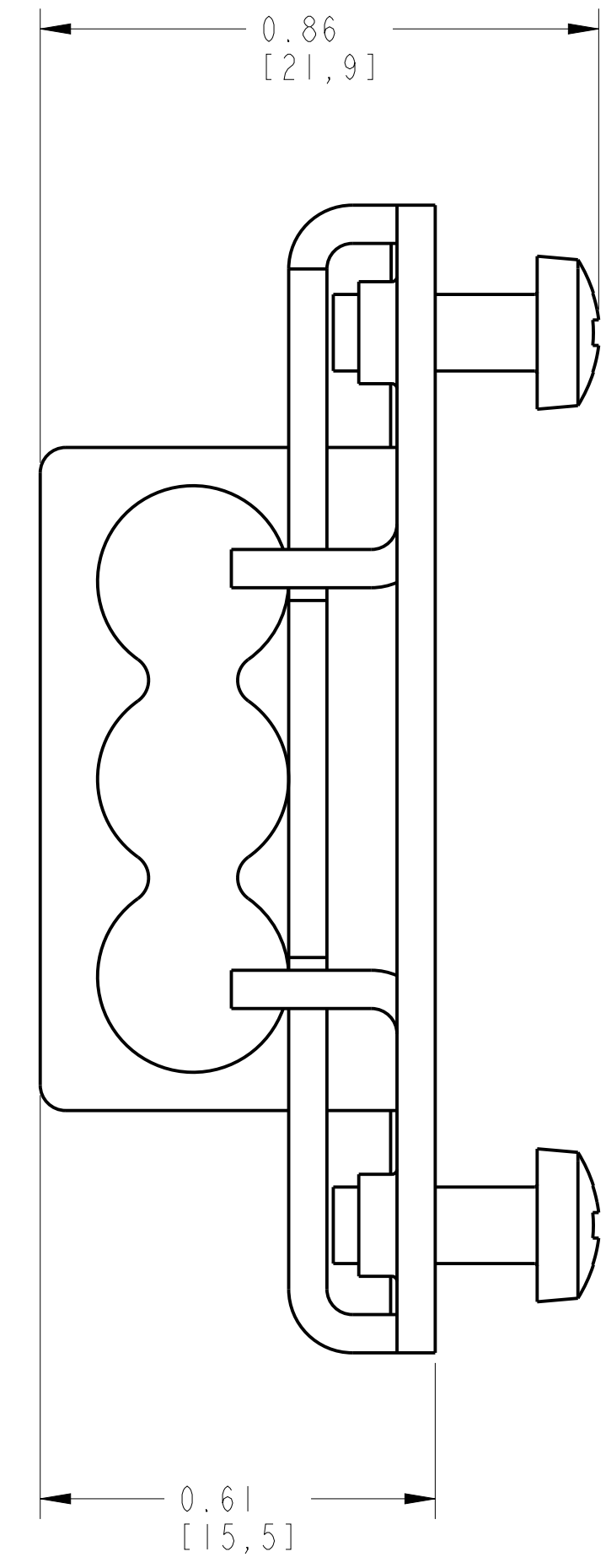
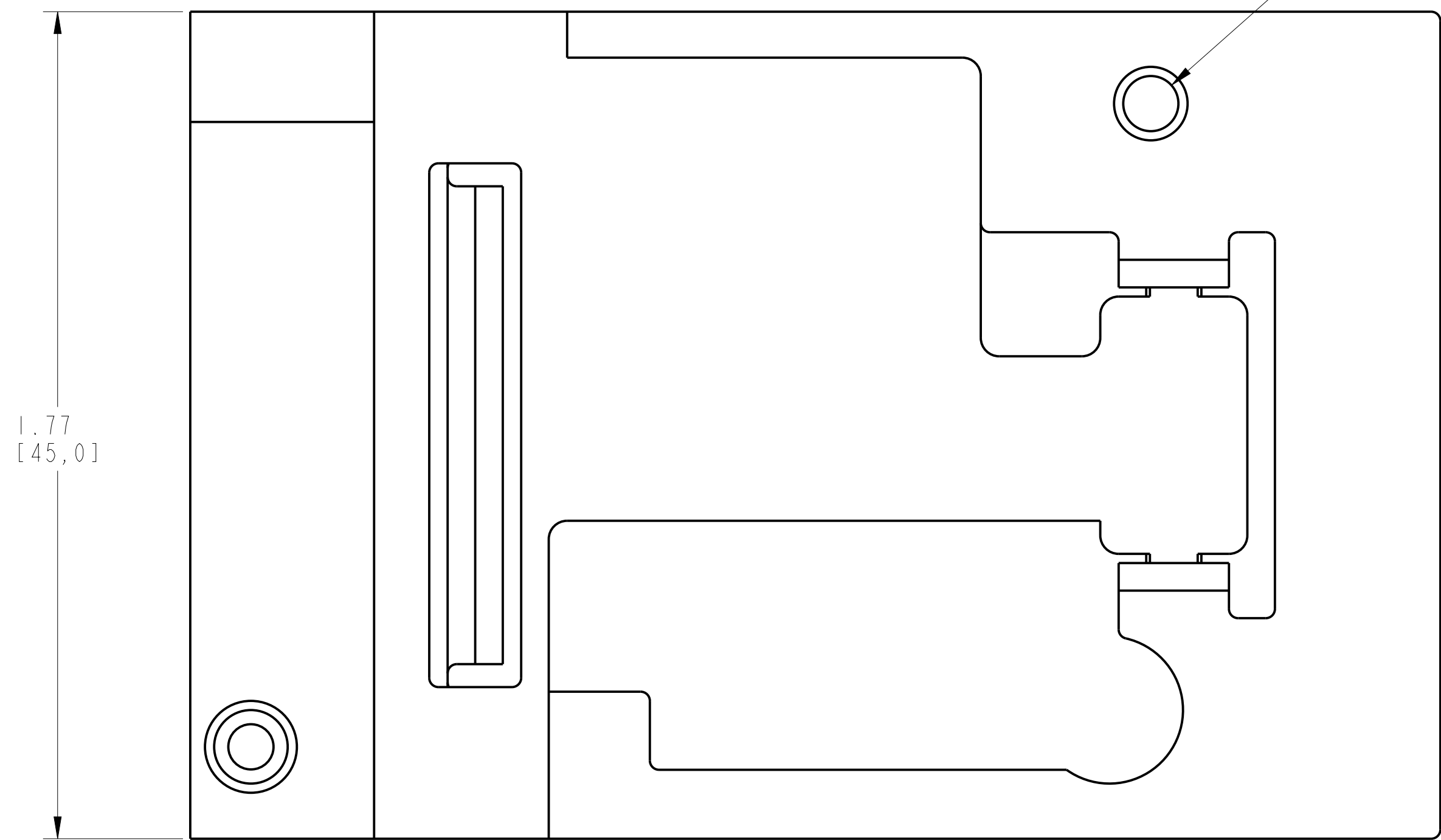
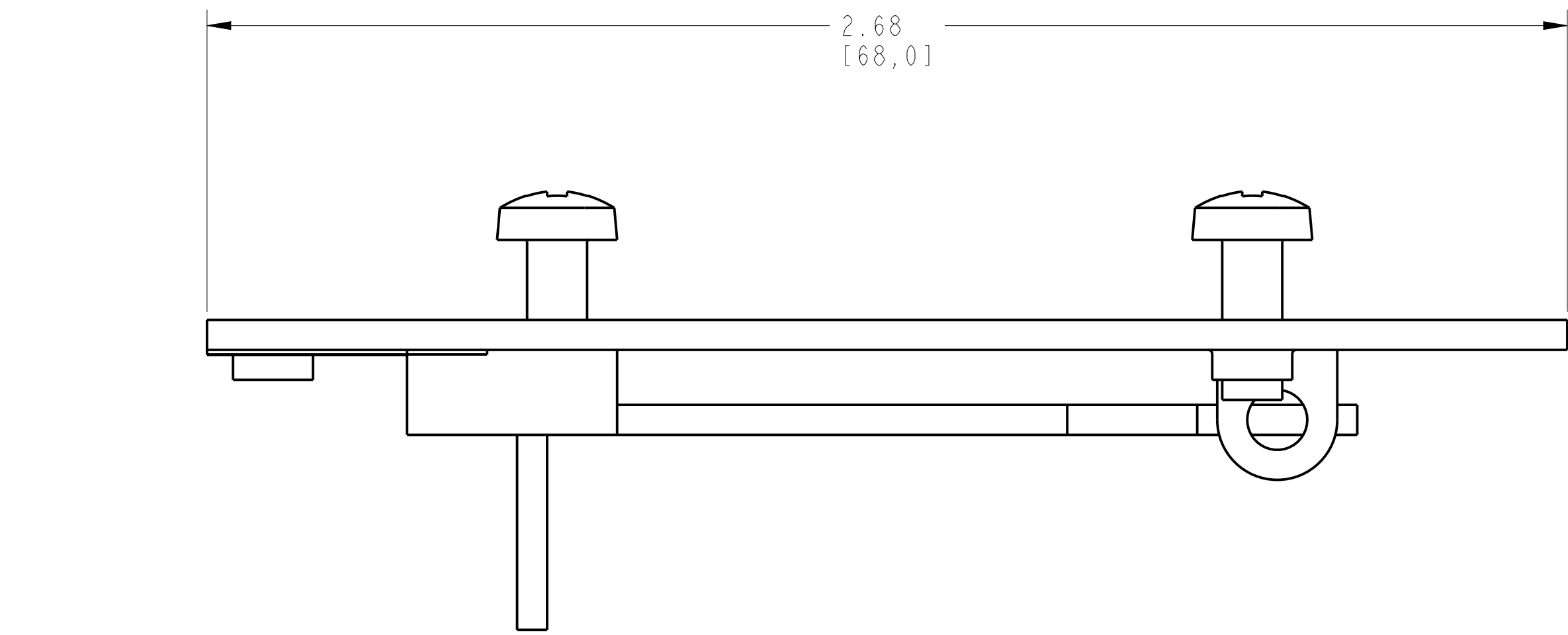
PADLOCK ADAPTER ASSEMBLED TO 140G-G-3-POLE
SCALE 1.5:1

PADLOCK ADAPTER ASSEMBLY

| ITEM | DESCRIPTION | QTY | AB CAT NUMBER |
|------|-----------------------------|-----|---------------|
| 1 | MOLDED CASE CIRCUIT BREAKER | 1 | 140G-G-4P CB |
| 2 | PADLOCK ADAPTER | 1 | 140G-G-PL |



PADLOCK ADAPTER ASSEMBLED TO 140G-G-4-POLE
SCALE 1.5:1



ISOMETRIC VIEW

ITEM 2 : PADLOCK ADAPTER
SCALE 4:1

| | | | |
|-------------------------------------------|----------------|---------------------------------------------------------------------------------------------------------------------------------------------------------------------------------------------------------------------------------------------------------------------------------------------------------|------------------|
| | | <small>CONFIDENTIAL AND PROPRIETARY INFORMATION THIS DOCUMENT CONTAINS CONFIDENTIAL AND PROPRIETARY INFORMATION OF ROCKWELL AUTOMATION, INC. AND MAY NOT BE USED, COPIED OR DISCLOSED TO OTHERS, EXCEPT WITH THE AUTHORIZED WRITTEN PERMISSION OF ROCKWELL AUTOMATION, INC.</small> | |
| | | Sheet 3 Of 3 | |
| PDLK ADPTR ASSEMBLED TO 140G-G-3P & 4P CB | | Size D | Ver 00 |
| Drawn by: | Date: 12-05-13 | 10000909585 | |