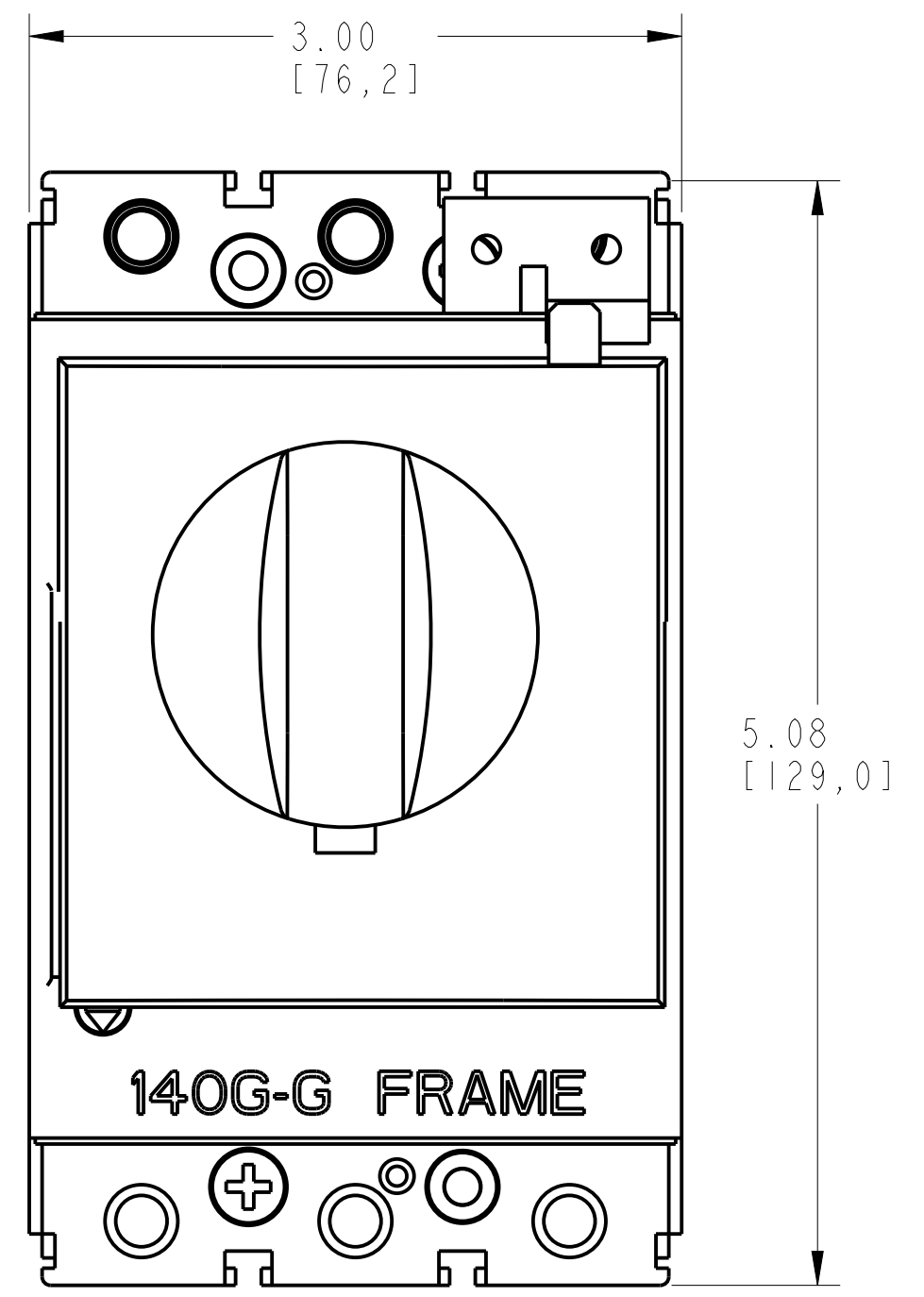
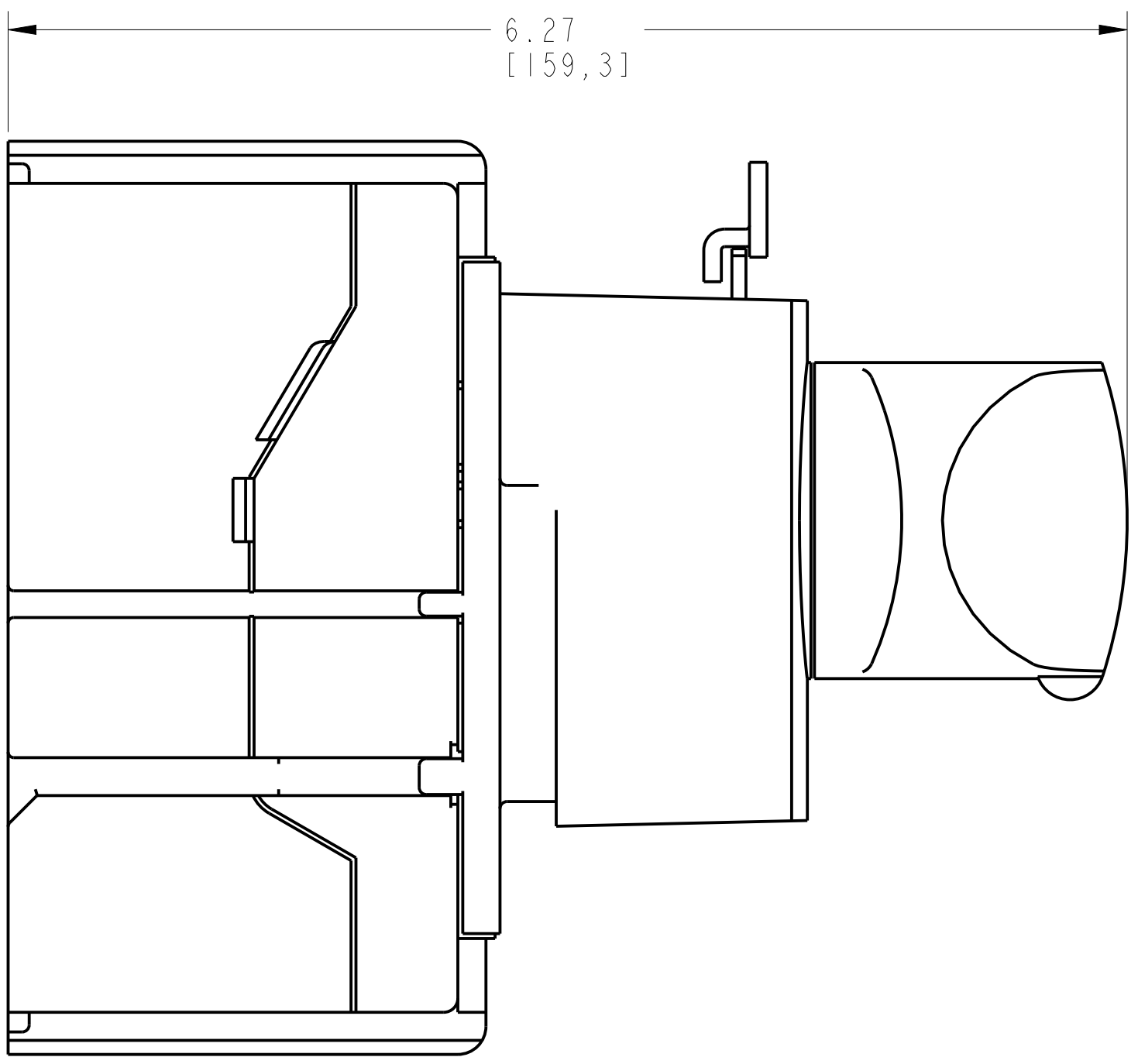
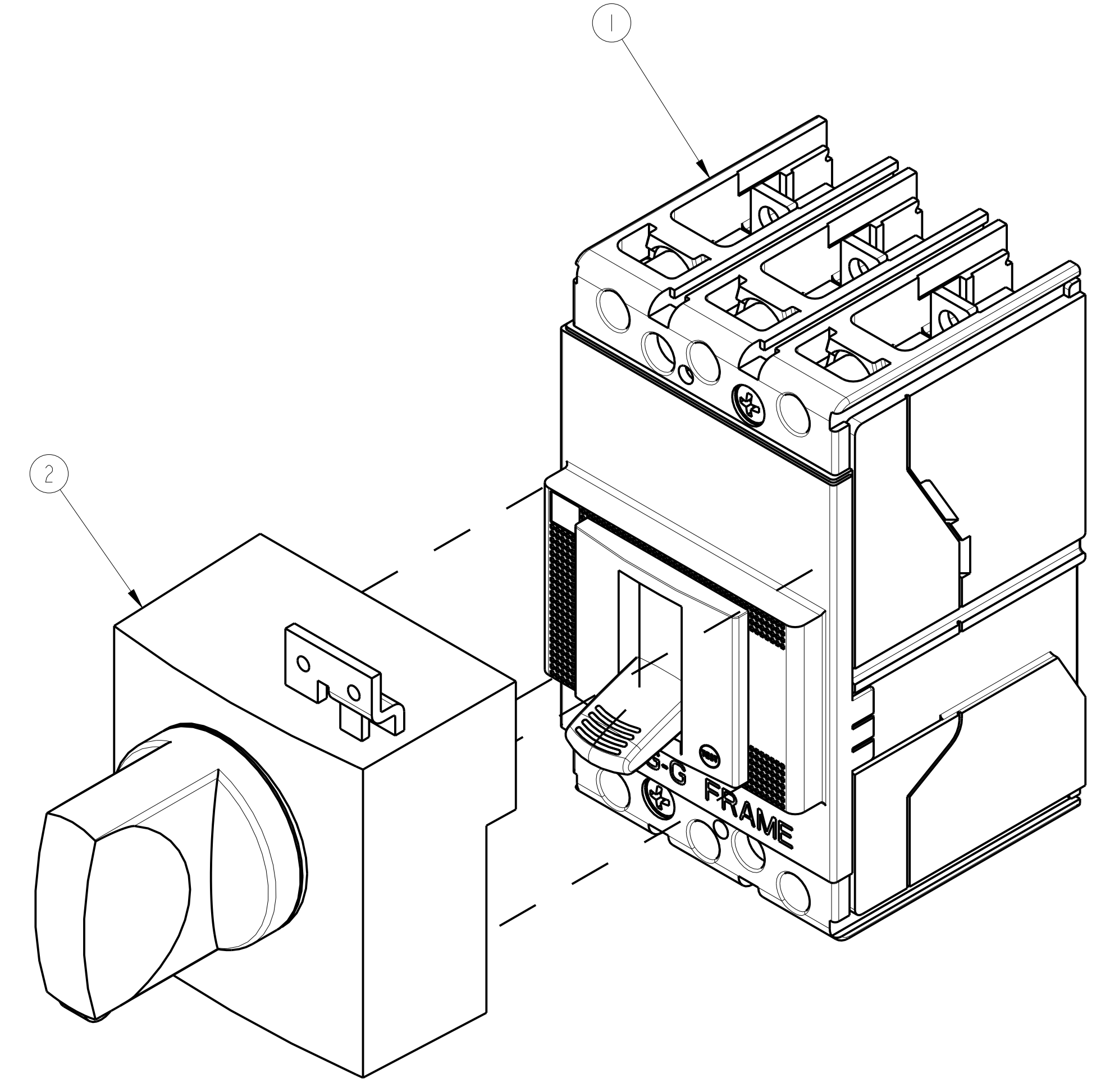
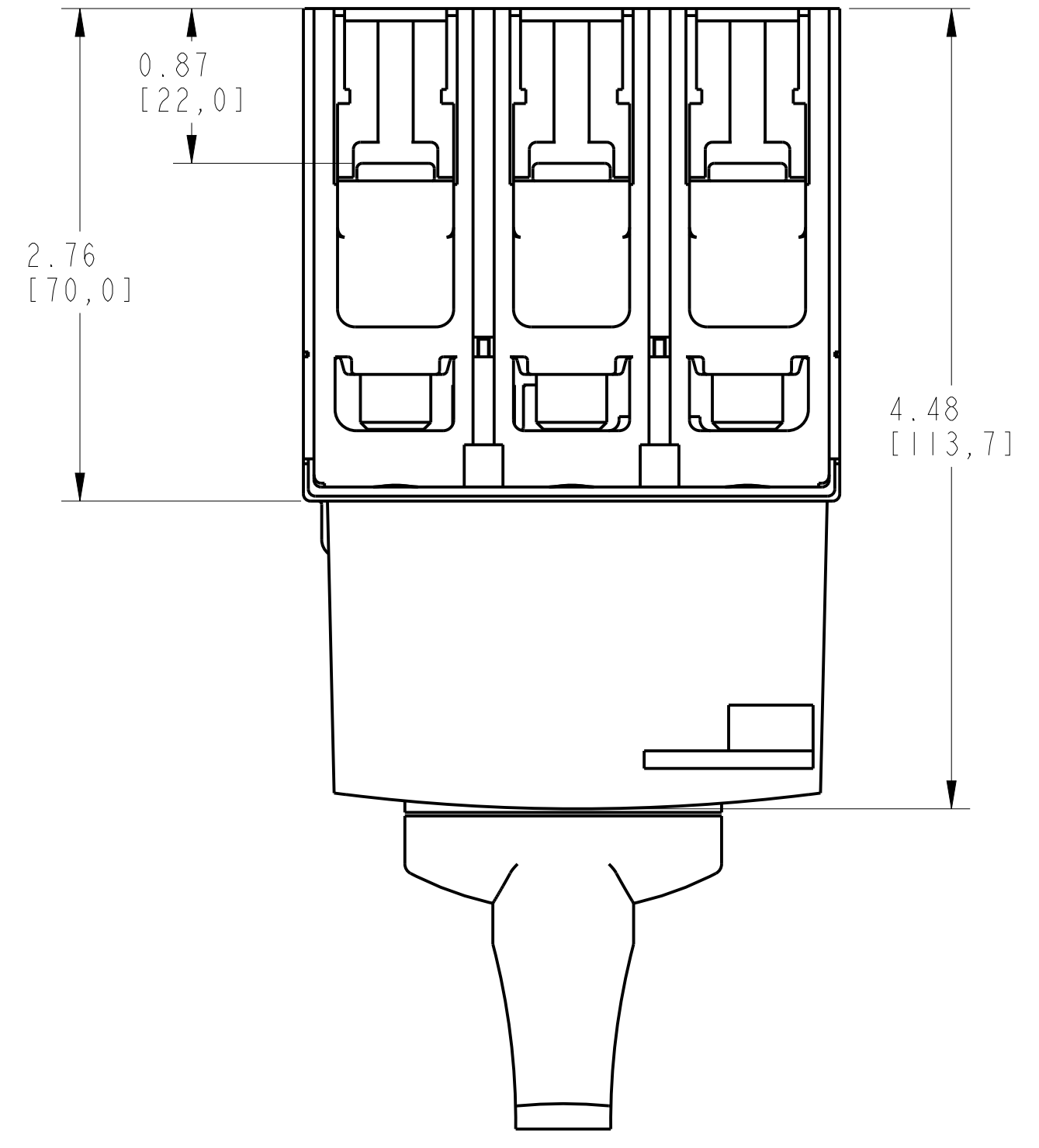


DIRECT ROTARY MECH BLACK ASSEMBLY

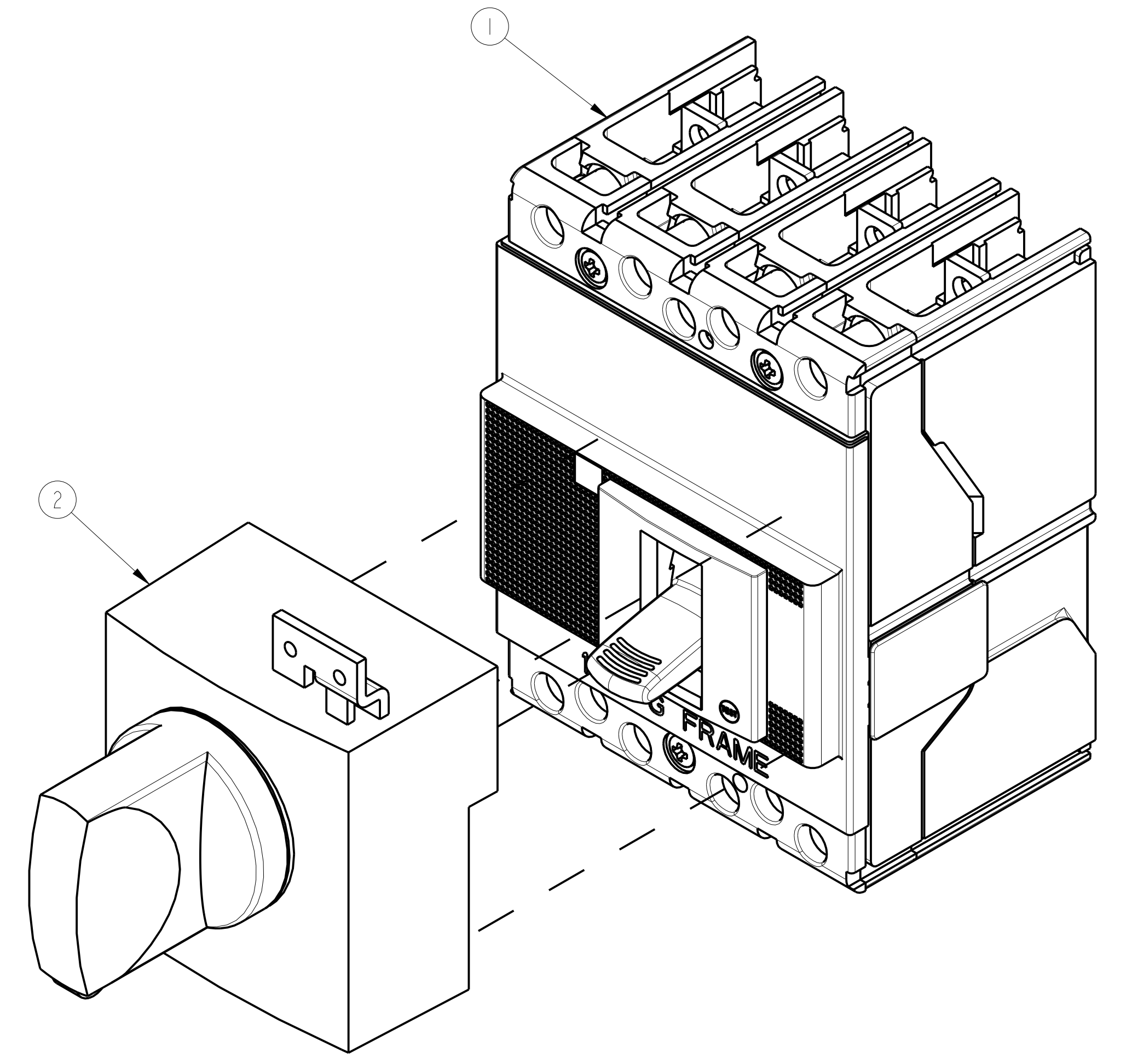
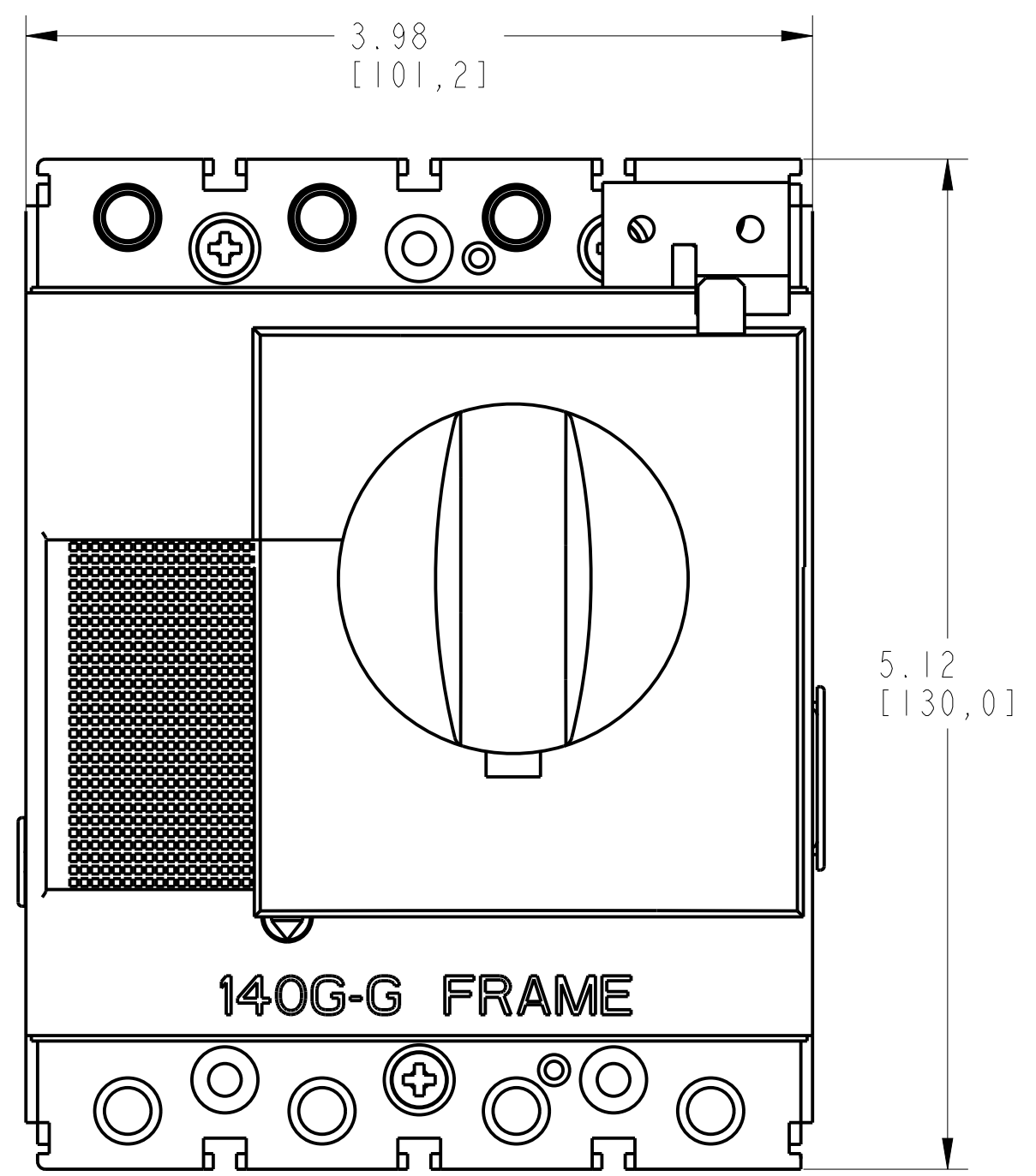
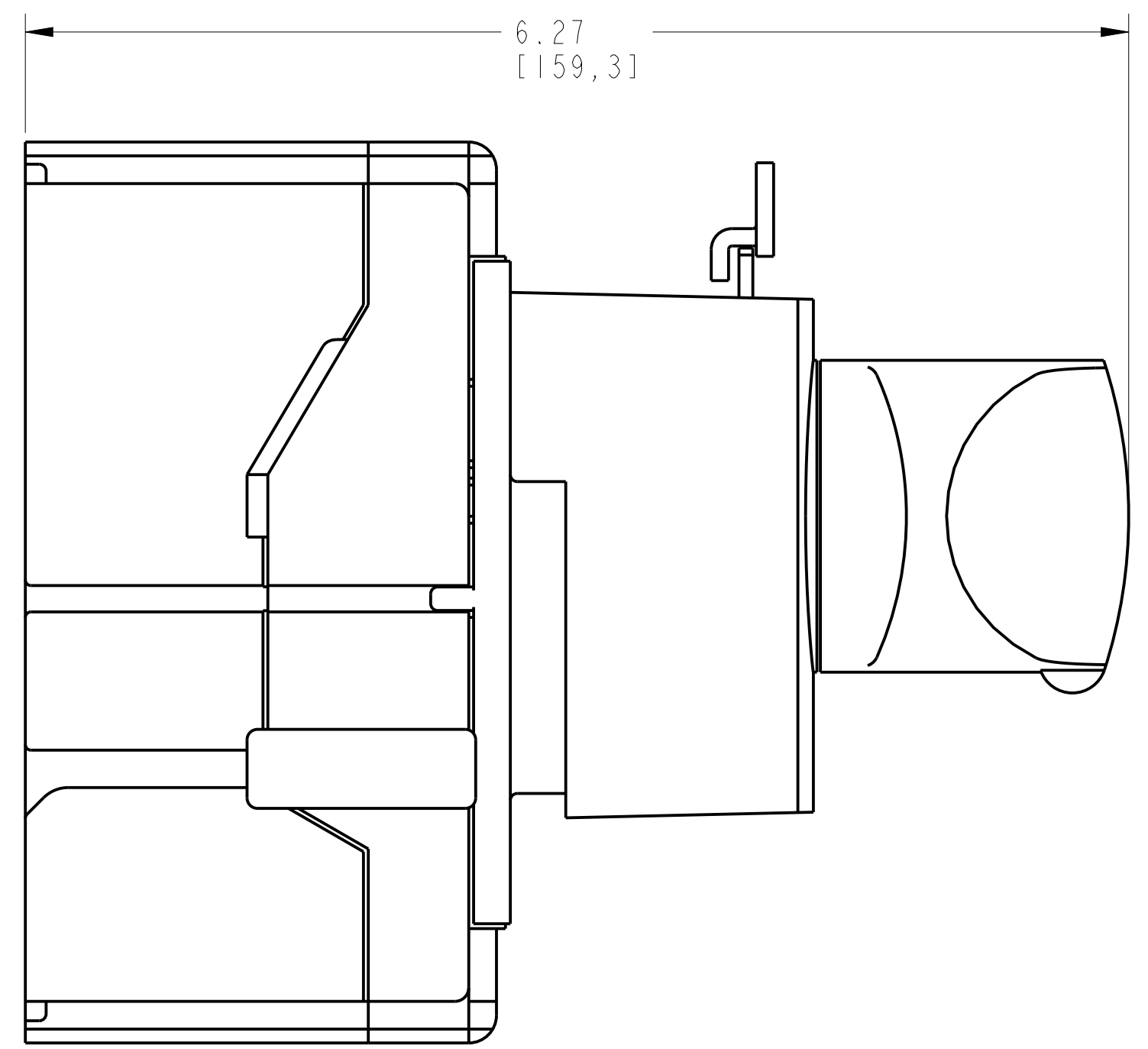
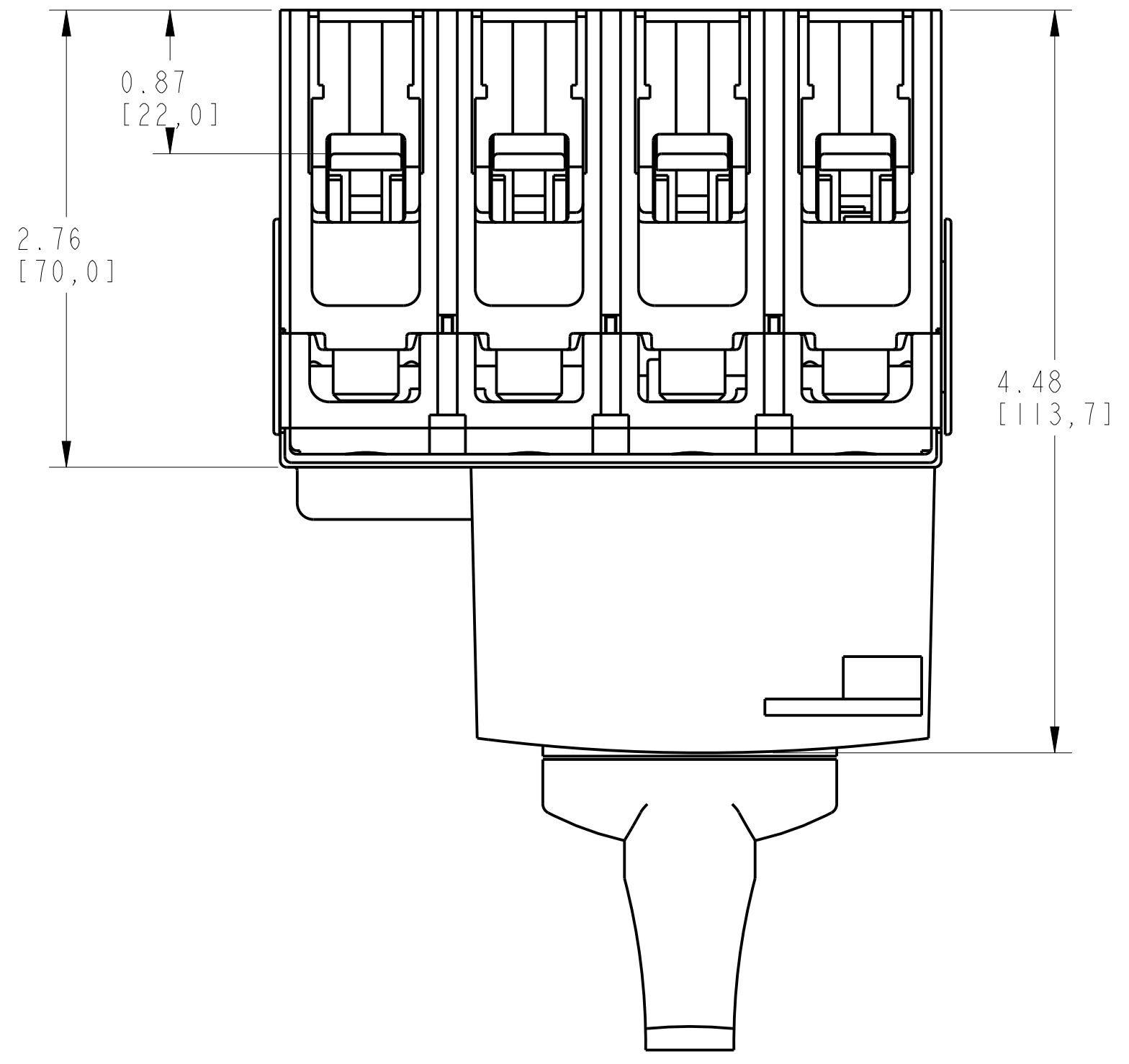
ITEM	DESCRIPTION	QTY	AB CAT NUMBER
1	MOLDED CASE CIRCUIT BREAKER-3POLE	1	140G-G-3P CB
2	DIRECT ROTARY MECH BLACK	1	140G-G-RMB



DIRECT ROTARY MECH BLACK ASSEMBLED TO 140G-G-3-POLE
SCALE 1.2 : 1

DIRECT ROTARY MECH BLACK ASSEMBLY

ITEM	DESCRIPTION	QTY	AB CAT NUMBER
1	MOLDED CASE CIRCUIT BREAKER-4POLE	1	140G-G-4P CB
2	DIRECT ROTARY MECH BLACK	1	140G-G-RMB

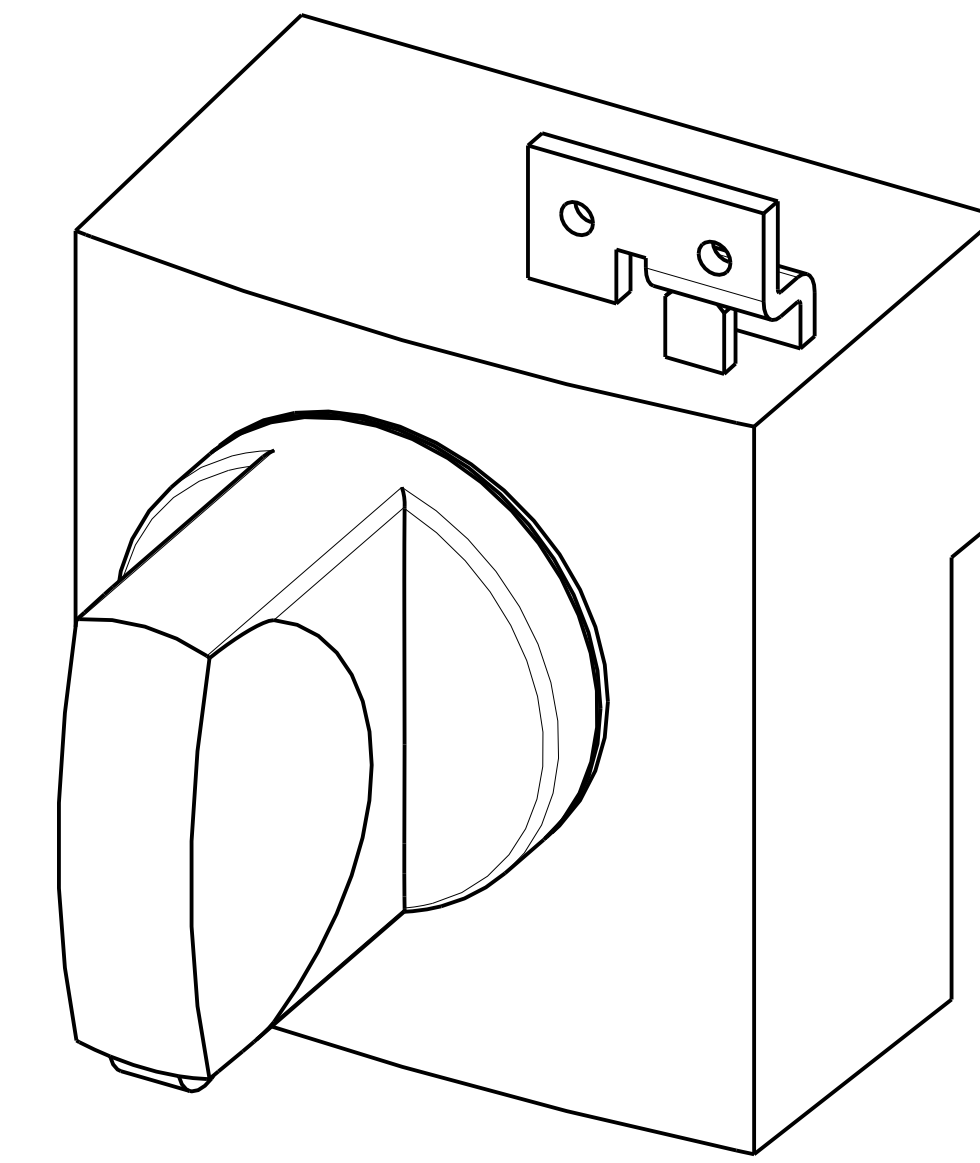
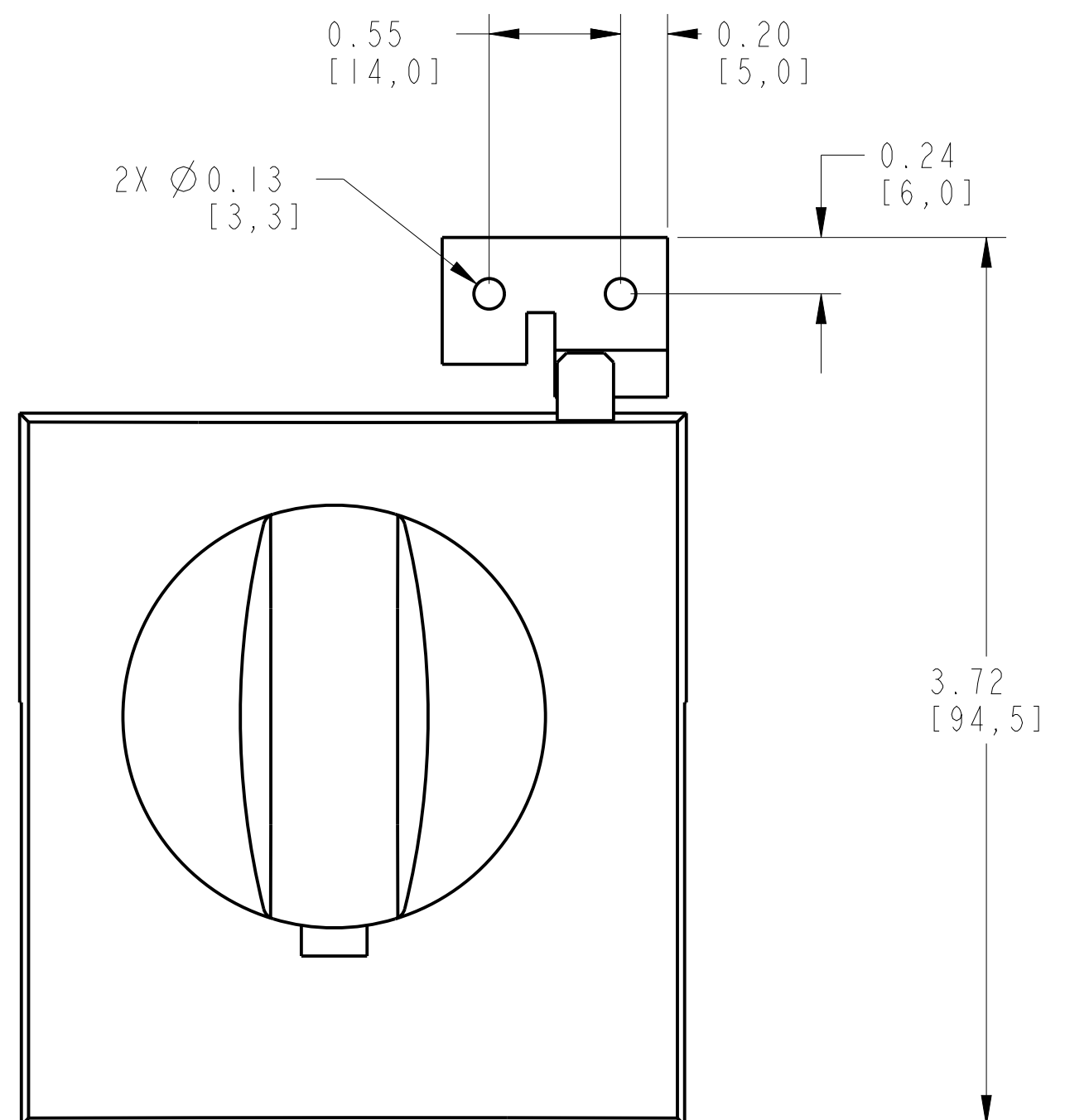


DIRECT ROTARY MECH BLACK ASSEMBLED TO 140G-G-4-POLE

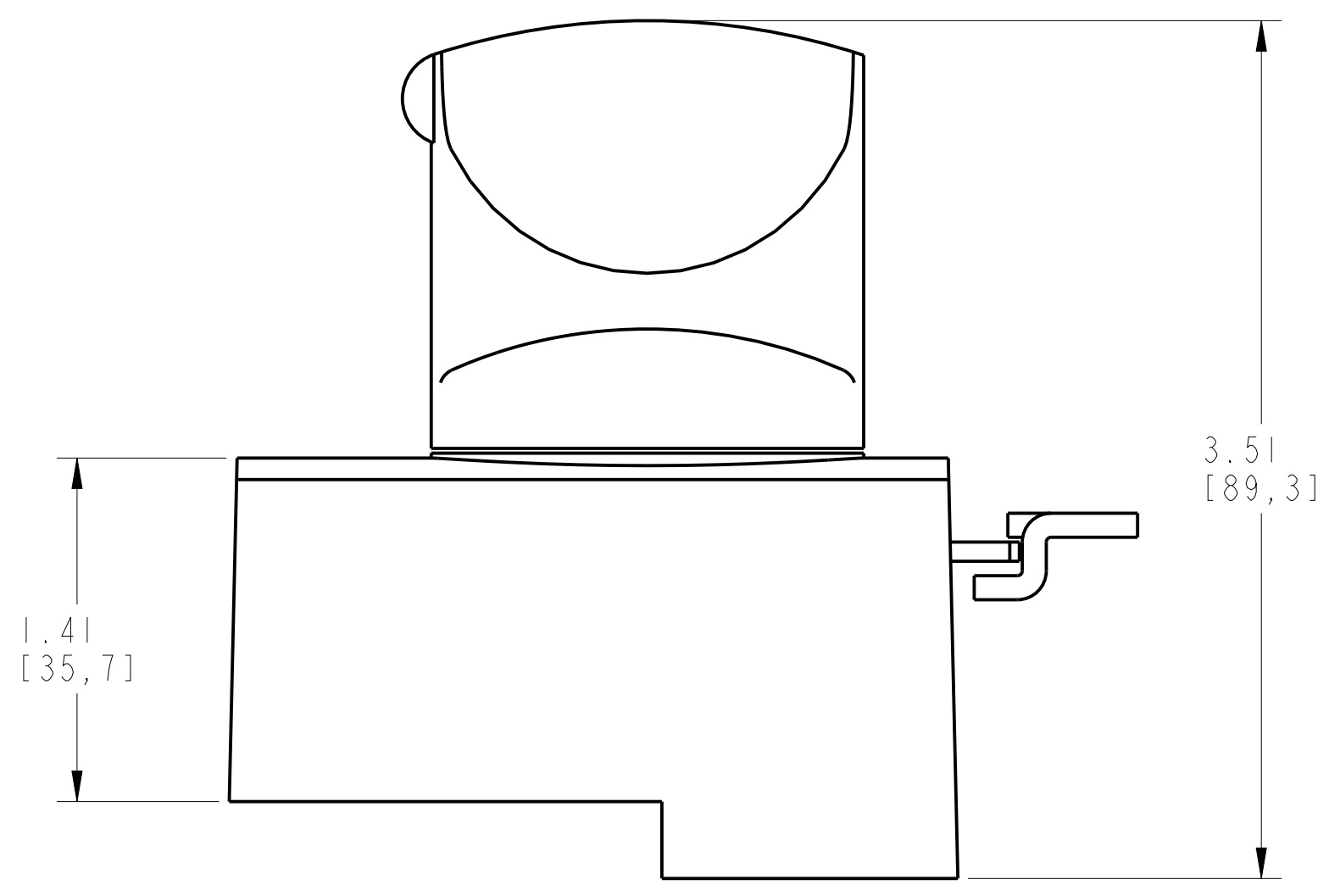
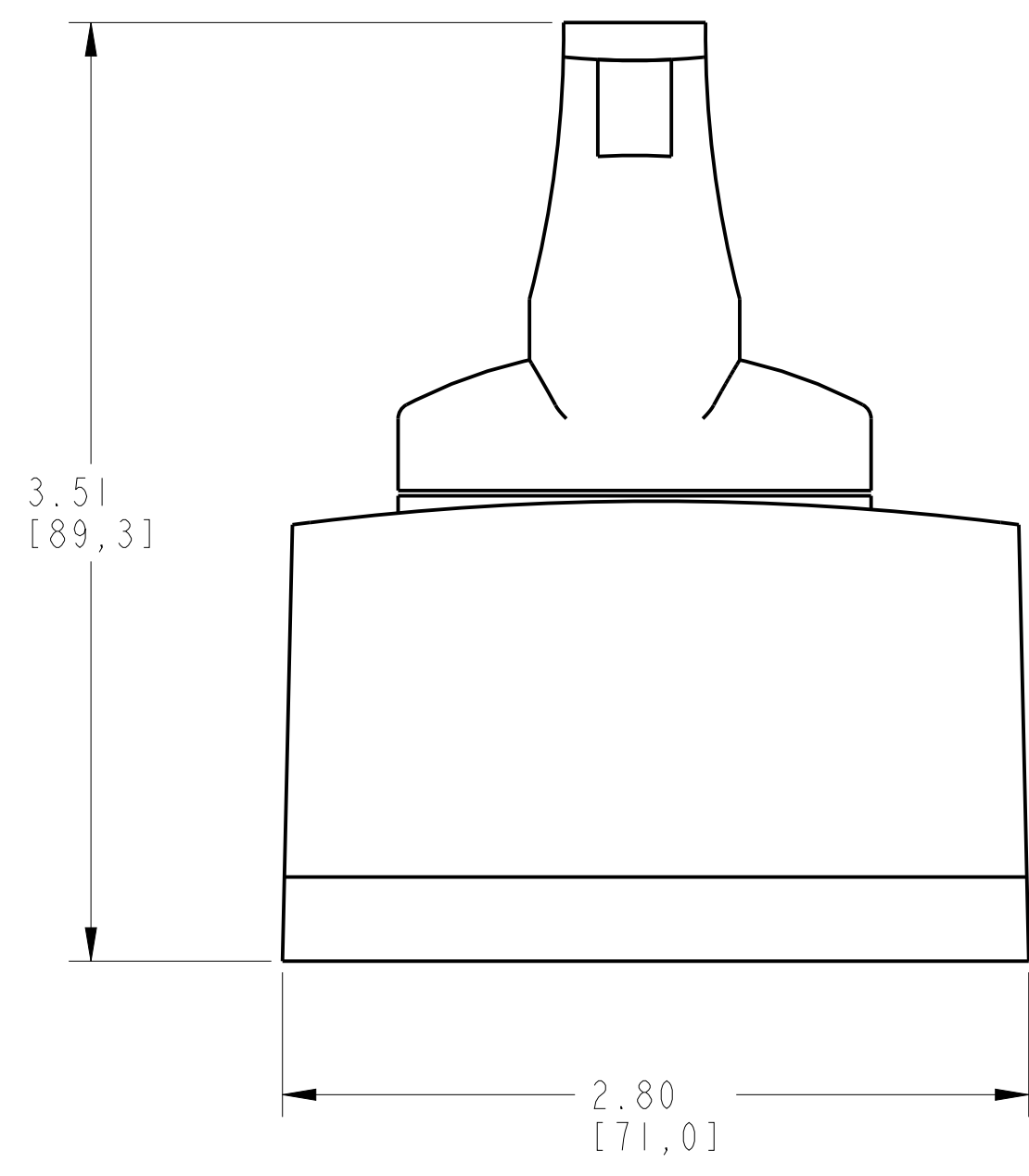
SCALE 1.2 : 1

1 2 3 4 5 6 7 8

A
B
C
D
E
F
G
H



ISOMETRIC VIEW



ITEM 2 : DIRECT ROTARY MECH BLACK
SCALE 1.5 : 1

Rockwell Automation		CONFIDENTIAL AND PROPRIETARY INFORMATION. THIS DOCUMENT CONTAINS CONFIDENTIAL AND PROPRIETARY INFORMATION OF ROCKWELL AUTOMATION, INC. AND MAY NOT BE USED, COPIED OR DISCLOSED TO OTHERS, EXCEPT WITH THE AUTHORIZED WRITTEN PERMISSION OF ROCKWELL AUTOMATION, INC.	
DRMB ASSEMBLED TO 140G-G-3P & 140G-G-4P CB		Sheet 3 Of 3	Ver
Drawn by: UMUNUSW	Date: 23-Nov-13	D	10000854954 00