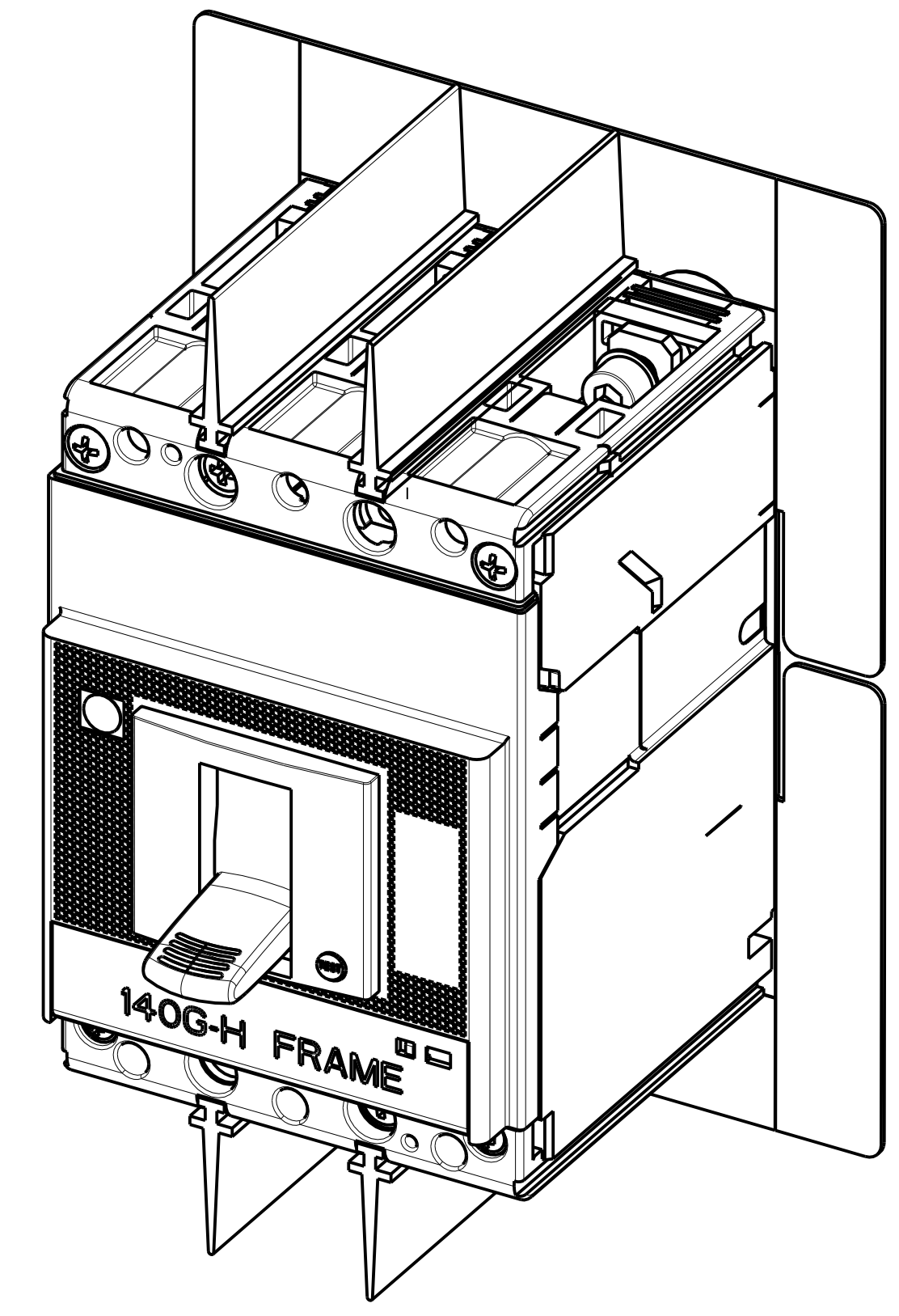
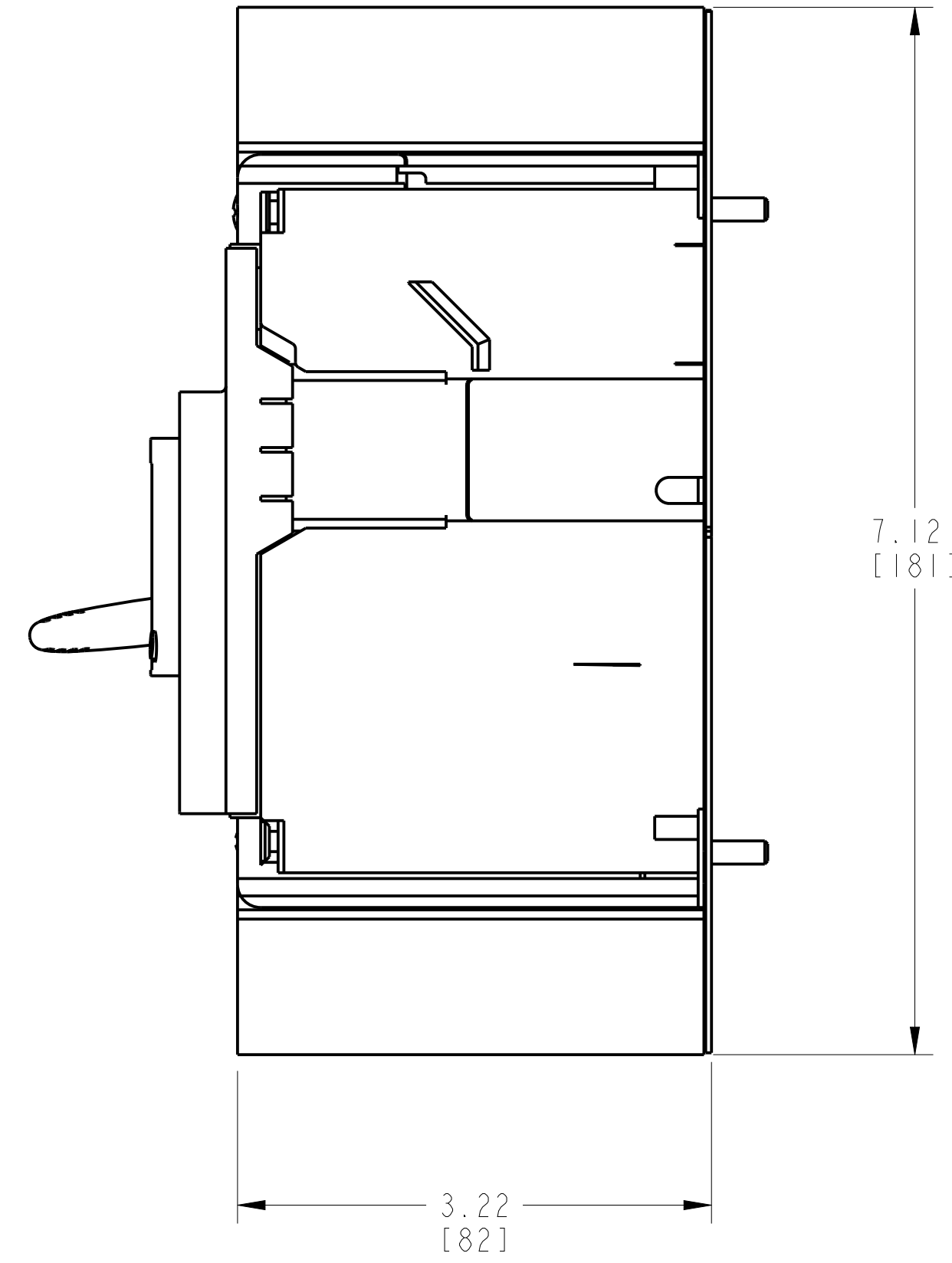
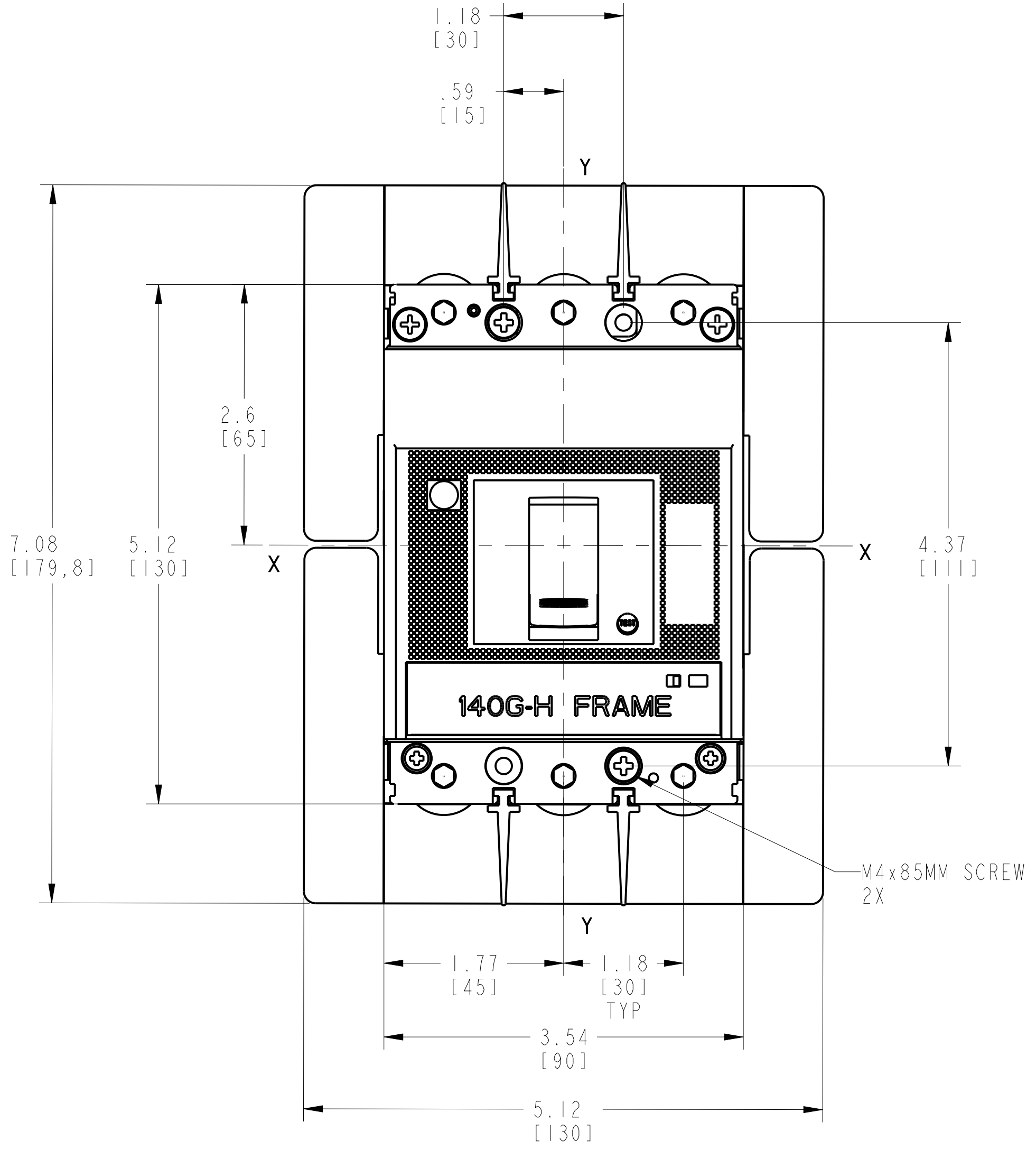
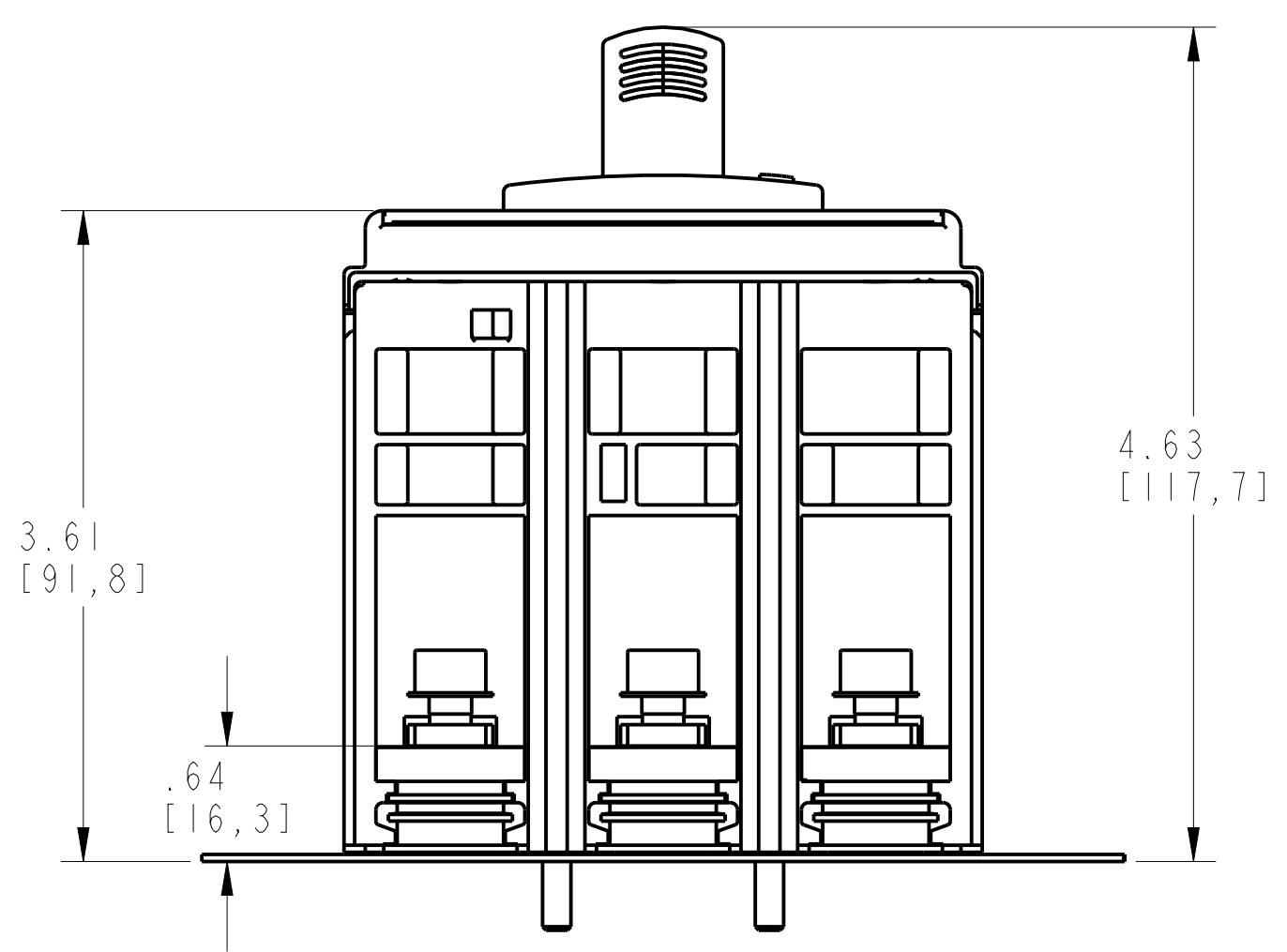


1 2 3 4 5 6 7 8

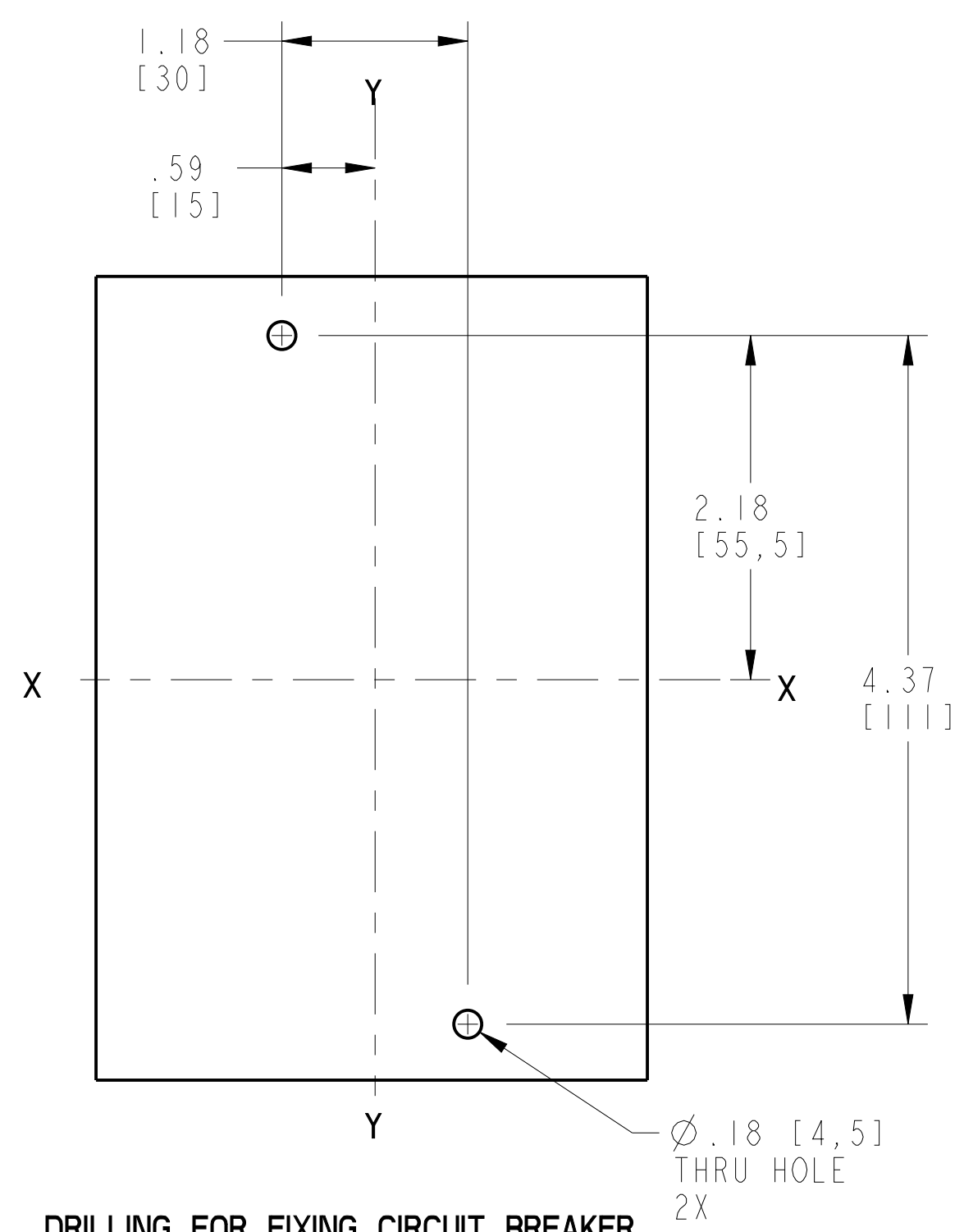
A
B
C
D
E
F
G
H



ISOMETRIC VIEW



SCALE 1:1



DRILLING FOR FIXING CIRCUIT BREAKER
SCALE 1:1

| | | | |
|--|--|--|------------------|
| Rockwell Automation | | <small>CONFIDENTIAL AND PROPRIETARY INFORMATION. THIS DOCUMENT CONTAINS CONFIDENTIAL AND PROPRIETARY INFORMATION OF ROCKWELL AUTOMATION, INC. AND MAY NOT BE USED, COPIED OR DISCLOSED TO OTHERS, EXCEPT WITH THE AUTHORIZED WRITTEN PERMISSION OF ROCKWELL AUTOMATION, INC.</small> | |
| | | Sheet 1 Of 1 | |
| 140G-H-3POLE MOLDED CASE CIRCUIT BREAKER | | Size D | Ver 00 |
| Drawn by: UMUNUSW | | Date: DEC-04-2013 | |
| | | 10000851903 | |