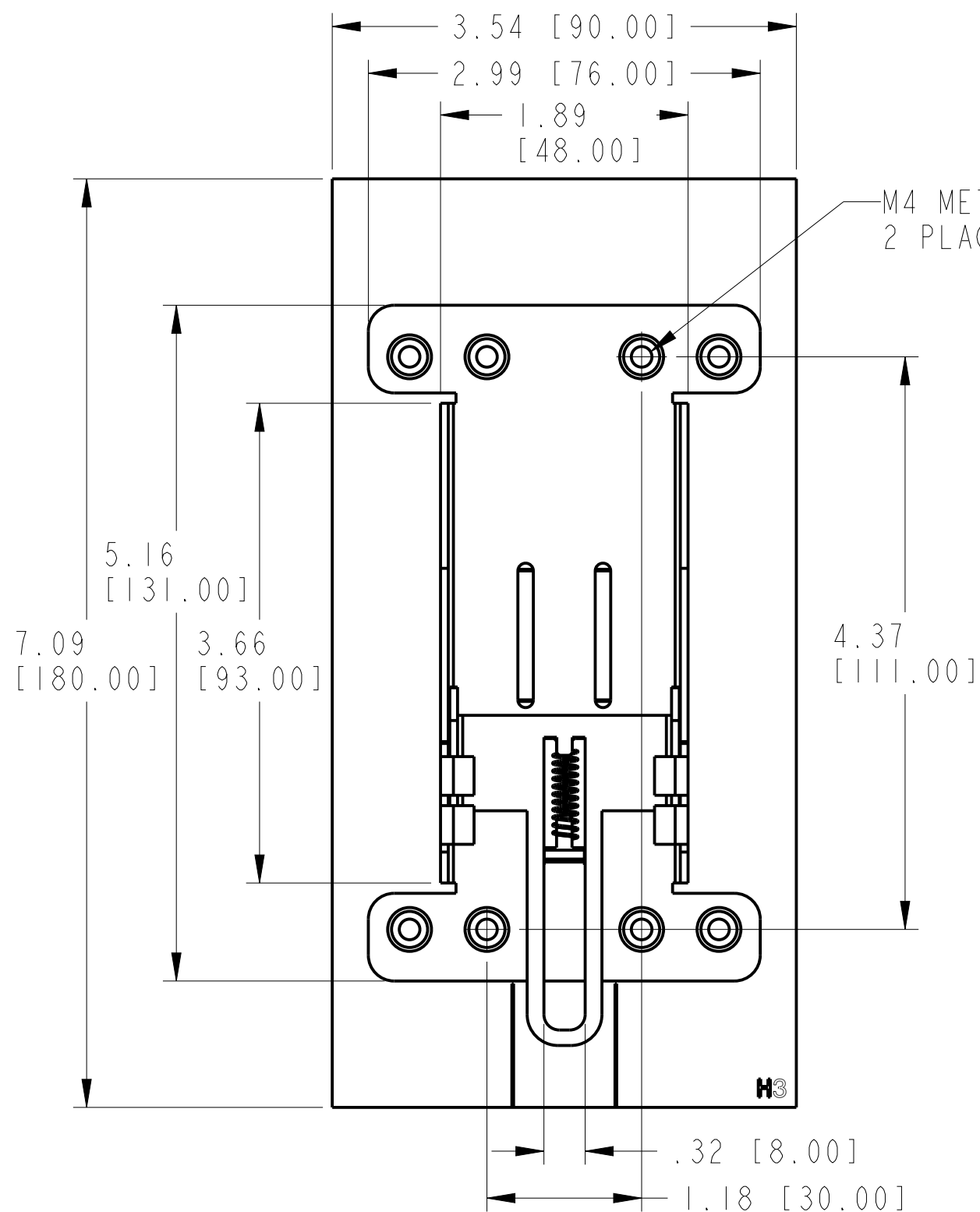


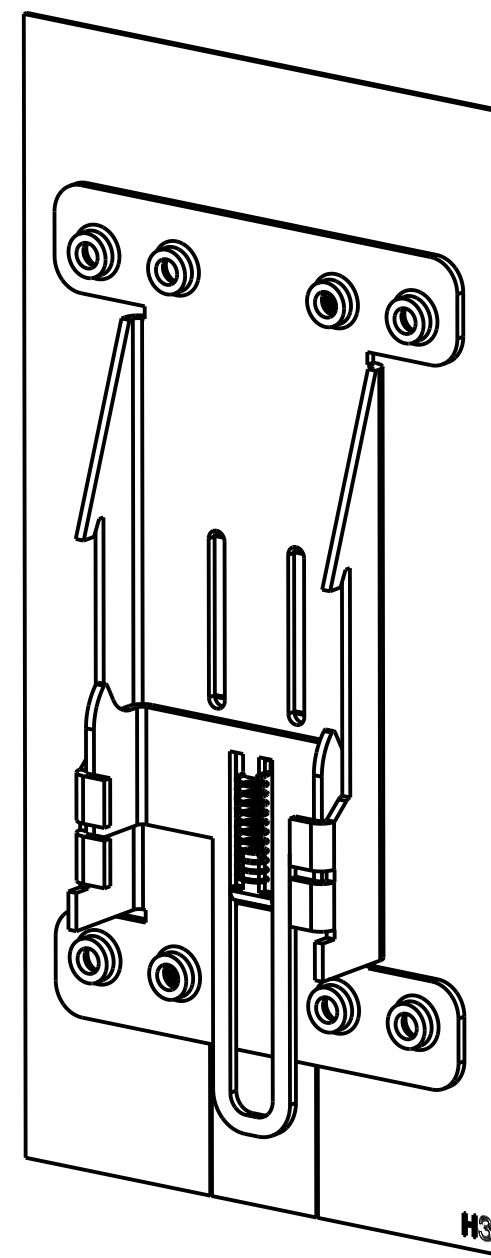
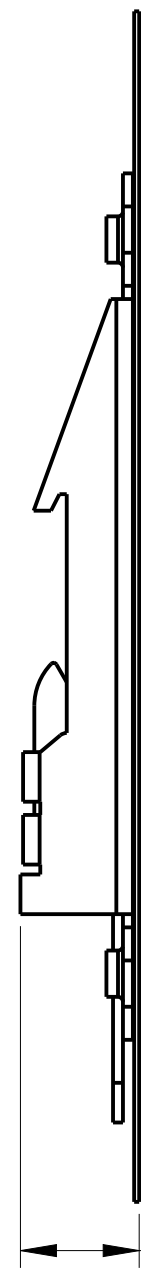
A
B
C
D
E
F
G
H

A
B
C
D
E
F
G
H



M4 METRIC THD
2 PLACES

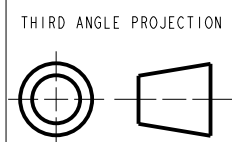
H3



MUST COMPLY WITH ROCKWELL
AUTOMATION ENVIRONMENTAL
SPECIFICATION 970-20-01

NOTE:
1. FOR USE WITH DIN RAIL TH35-7.5 OR TH35-15
(1.37" [35MM] WIDE, .29" [7.5MM] OR
.59" [15MM] HEIGHT)

ALL UNDIMENSIONED
GEOMETRIES ARE
CONTROLLED BY THE
CAD MODEL. IN CASE
OF DIMENSION
DISCREPANCY, CAD
MODEL OVERRIDES.



DIN RAIL ADAPTER FOR H3
CATALOG NO. 140G-H-DRA
DIMENSION DRAWING

CREATED BY: LEQUENTIN

CHANGED BY: *****

CONFIDENTIAL AND PROPRIETARY INFORMATION.
THIS DOCUMENT CONTAINS CONFIDENTIAL AND PROPRIETARY
INFORMATION OF ROCKWELL AUTOMATION, INC. AND MAY
NOT BE USED, COPIED OR DISCLOSED TO OTHERS, EXCEPT
WITH THE AUTHORIZED WRITTEN PERMISSION OF ROCKWELL
AUTOMATION, INC.

DATE: 2020-04-17 SHEET 1 OF 1

SIZE	DIR	VER
B	10005538081	00

1 2 3 4 5 6 7 8