

1

2

3

4

5

6

7

8

MOTOR OPERATOR EOP ASSEMBLY

ITEM	DESCRIPTION	QTY	AB CAT NUMBER
1	MOLDED CASE CIRCUIT BREAKER - 3POLE	1	140G-H-3P CB
2	MOTOR OPERATOR EOP	1	140G-H-EOP

A

B

C

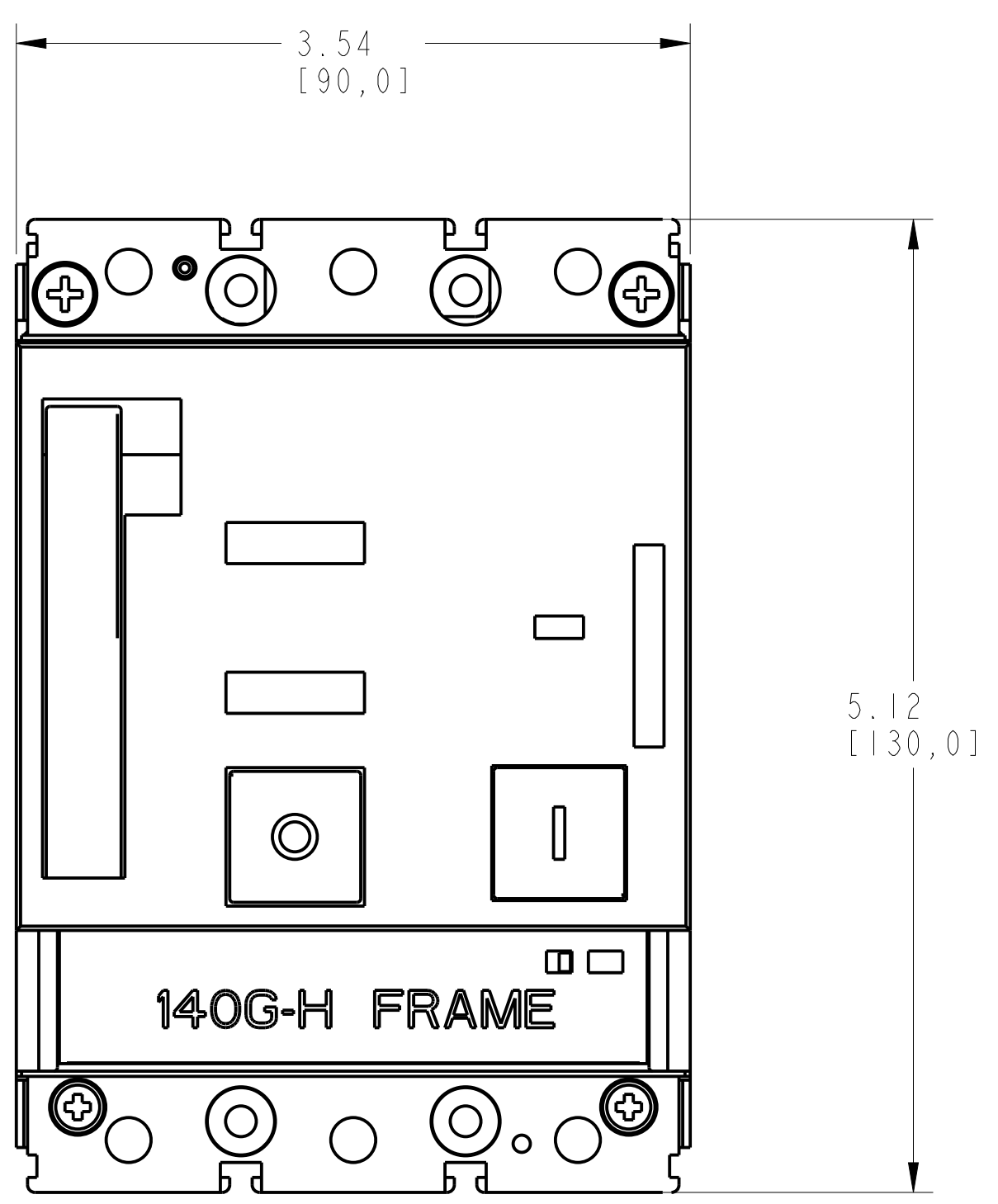
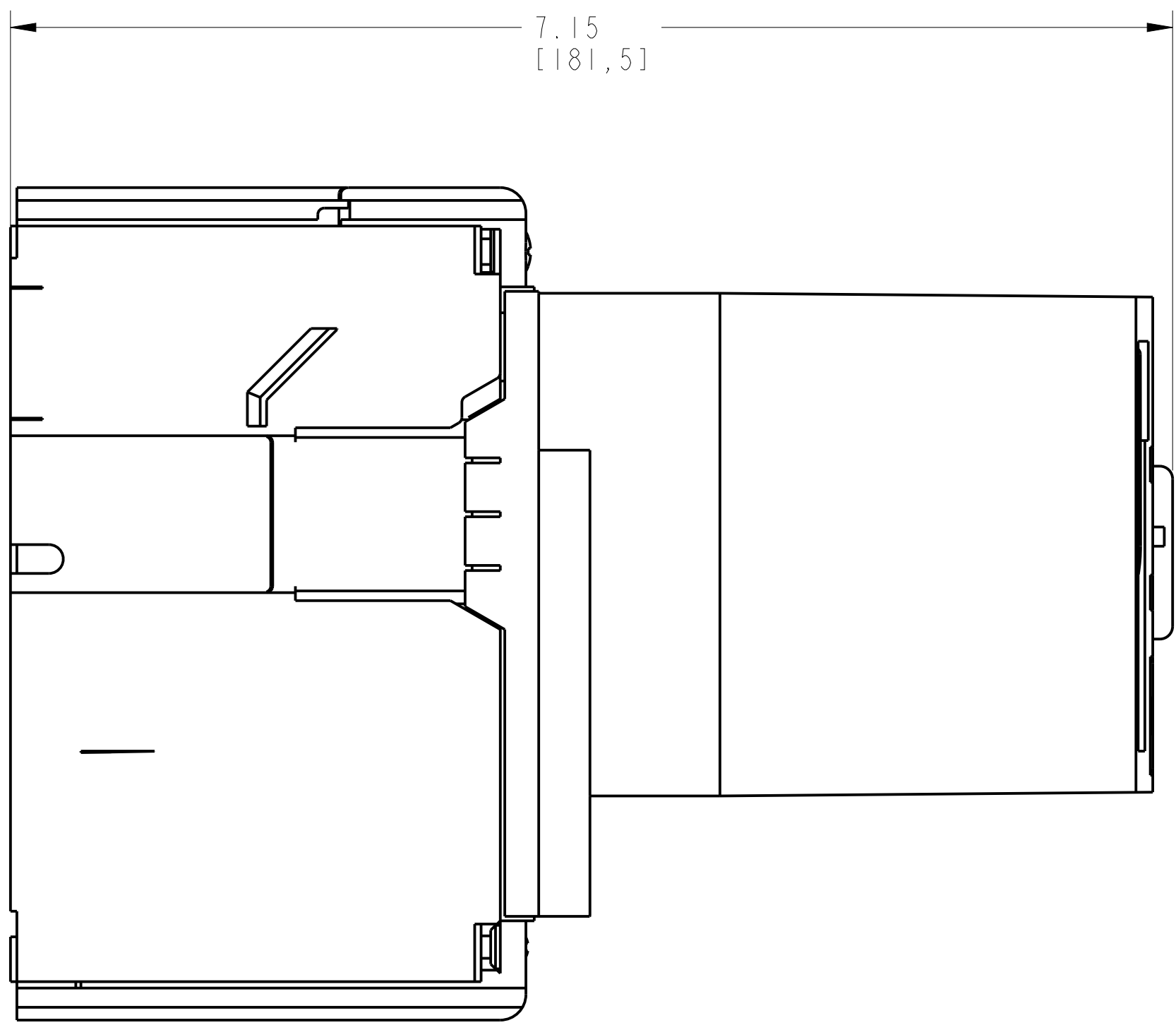
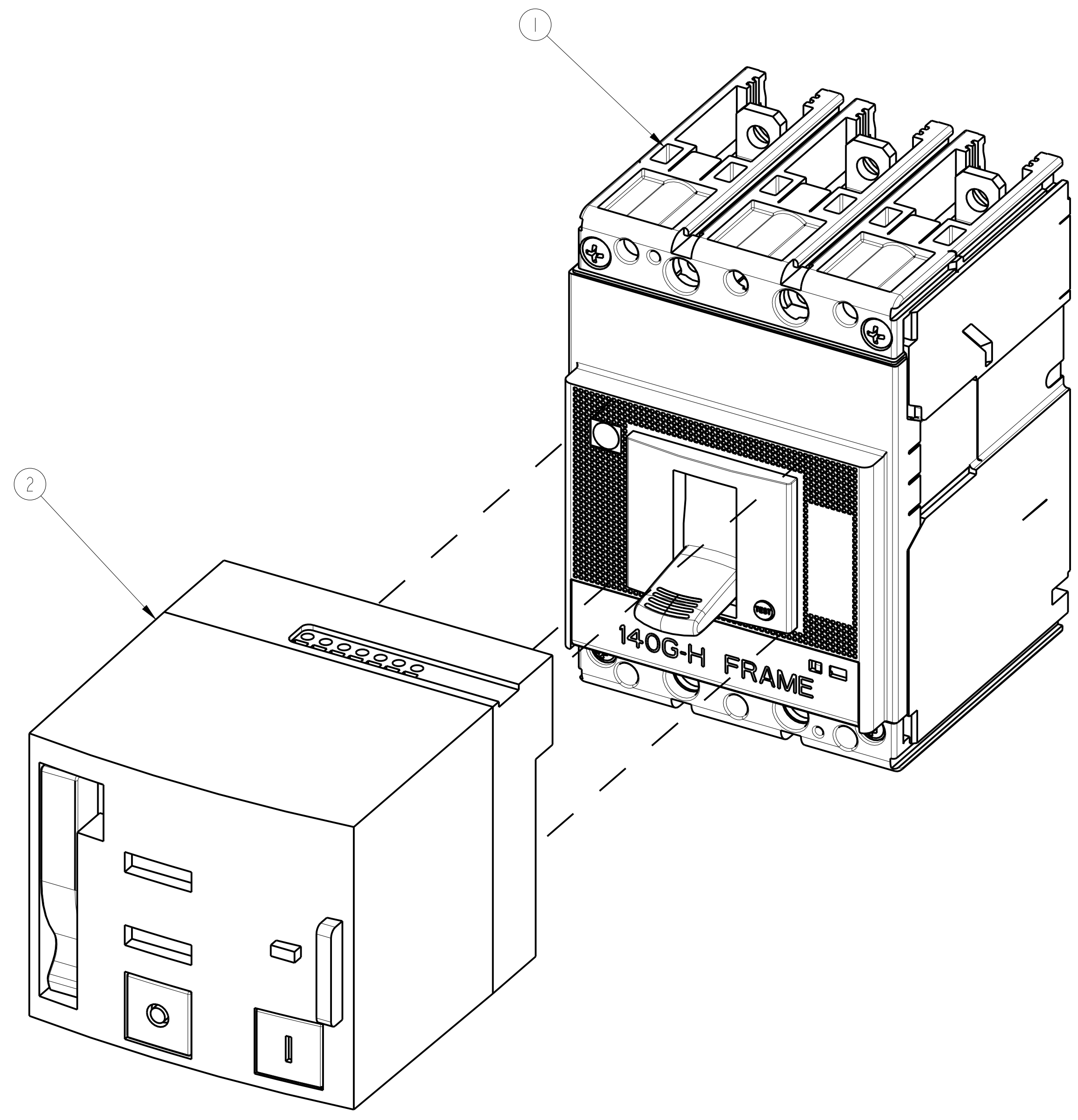
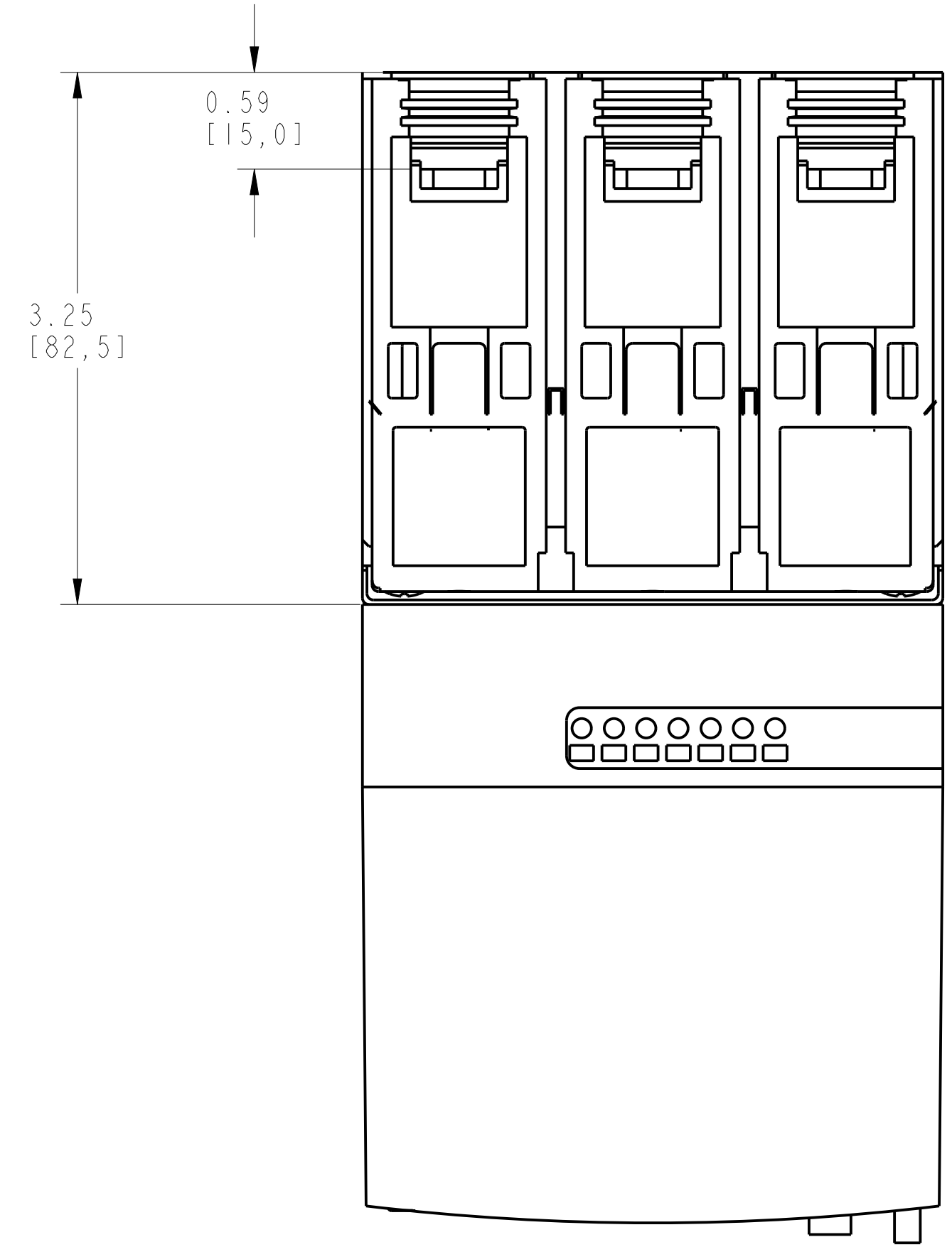
D

E

F

G

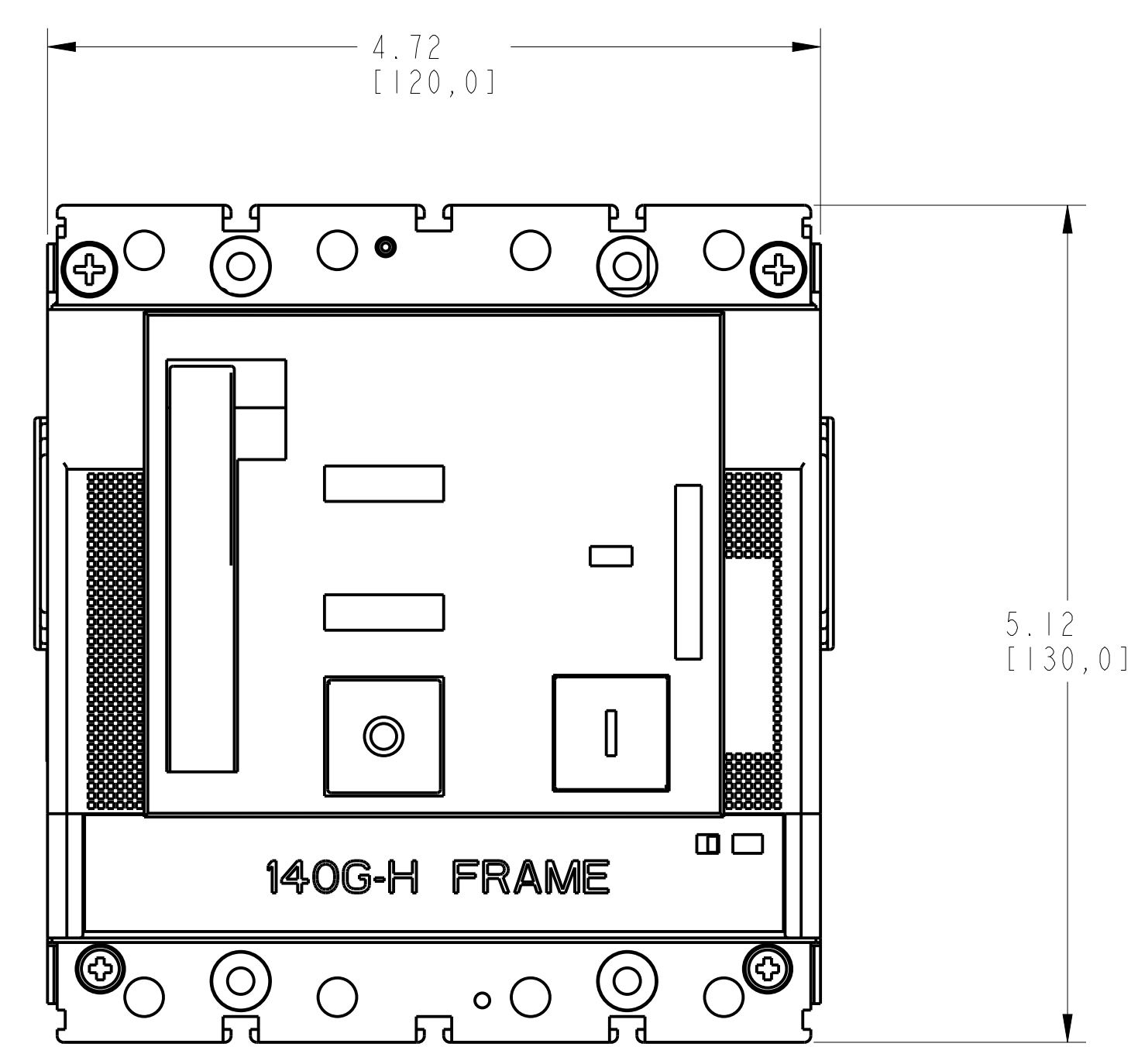
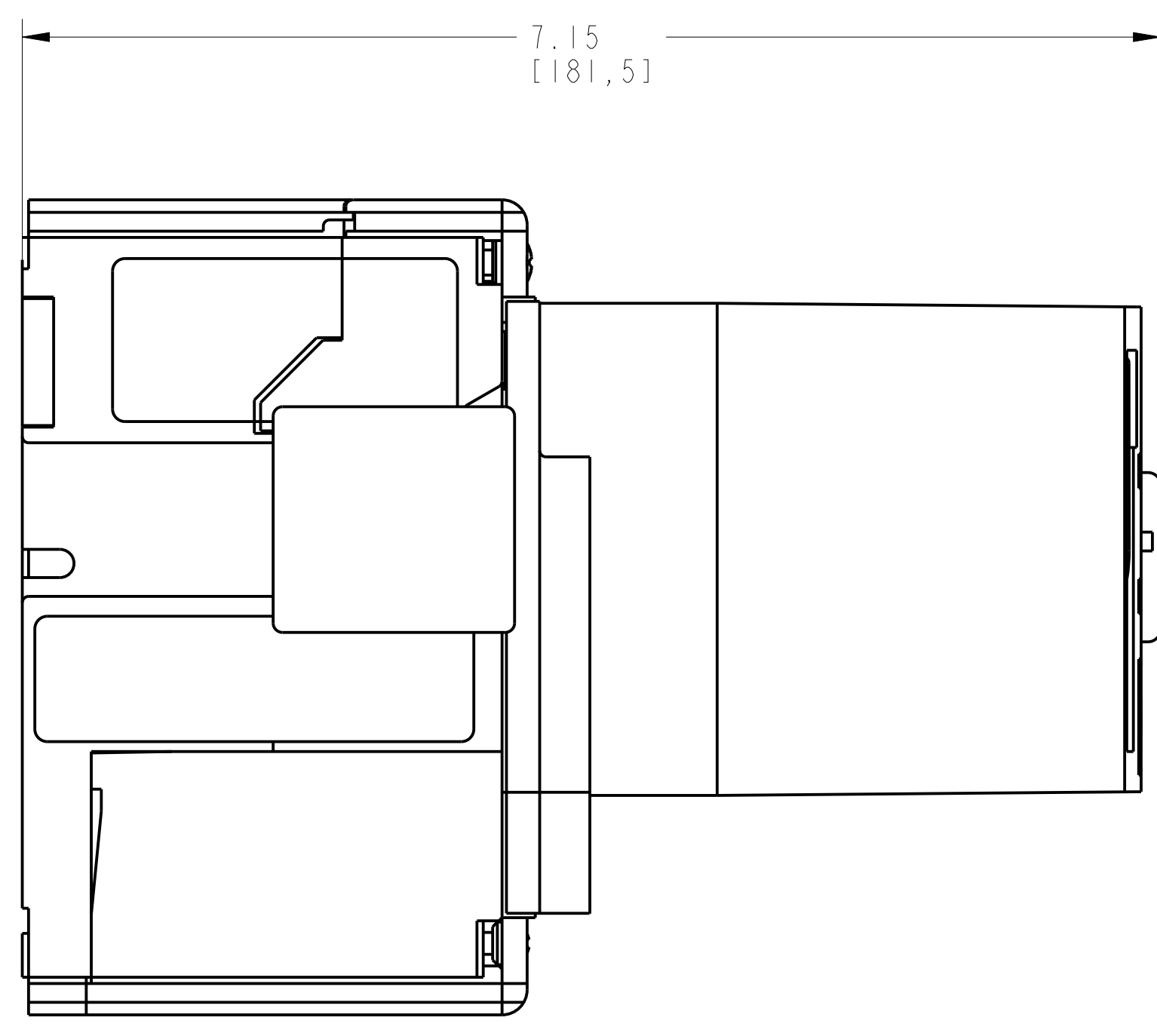
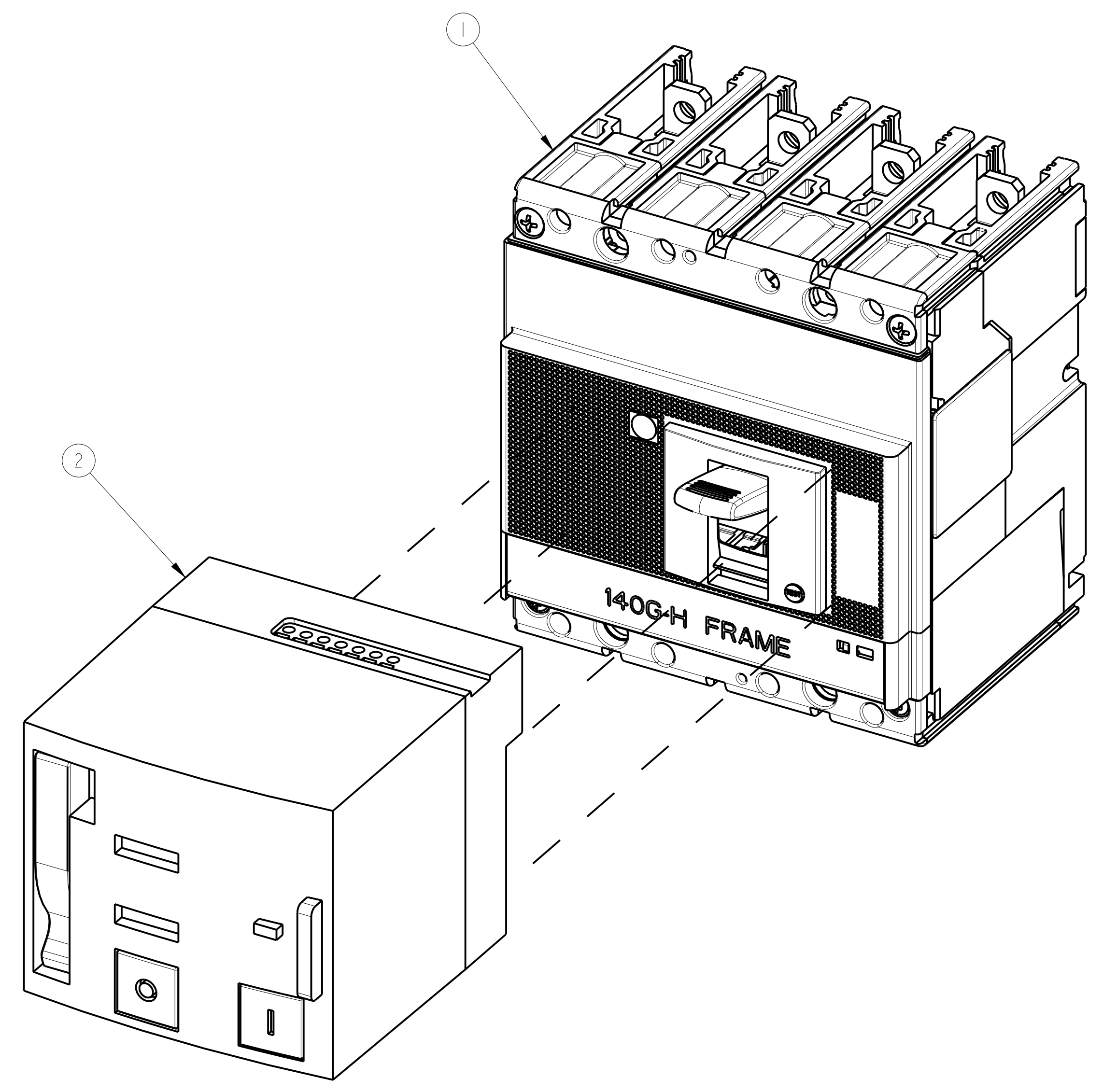
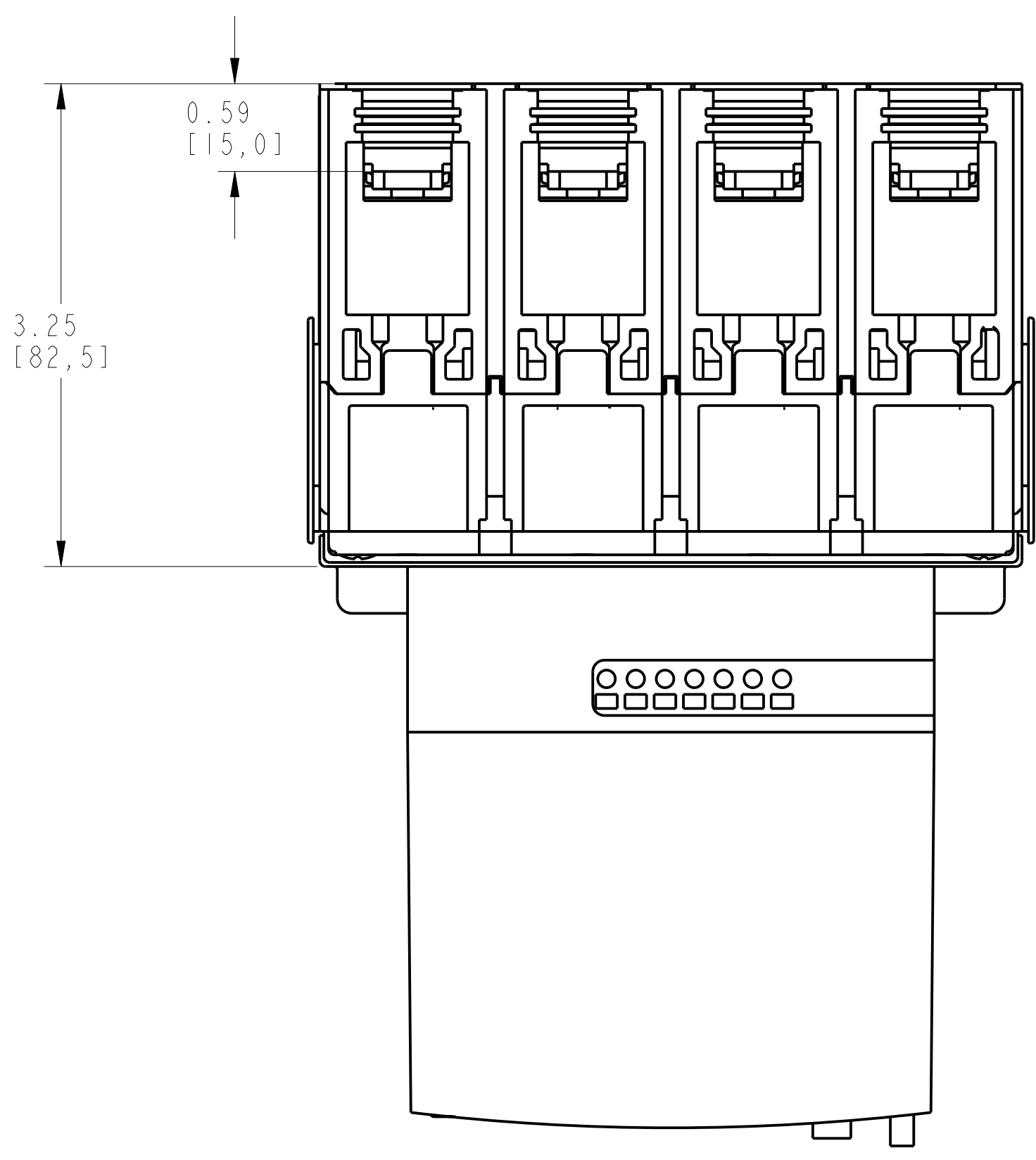
H



MOTOR OPERATOR EOP ASSEMBLED TO 140G-H-3-POLE
SCALE 1:20:1

		<small>CONFIDENTIAL AND PROPRIETARY INFORMATION. THIS DOCUMENT CONTAINS CONFIDENTIAL AND PROPRIETARY INFORMATION OF ROCKWELL AUTOMATION, INC. AND MAY NOT BE USED, COPIED OR DISCLOSED TO OTHERS, EXCEPT WITH THE AUTHORIZED WRITTEN PERMISSION OF ROCKWELL AUTOMATION, INC.</small>	
		Sheet 1 Of 3	
EOP ASSEMBLED TO 140G-H-3P & 4P CB		Size	Ver
D		10000857117	00
Drawn by: UMUNUSW		Date: 26-Nov-13	

MOTOR OPERATOR EOP ASSEMBLY			
ITEM	DESCRIPTION	QTY	AB CAT NUMBER
1	MOLDED CASE CIRCUIT BREAKER - 4POLE	1	140G-H-4P CB
2	MOTOR OPERATOR EOP	1	140G-H-EOP

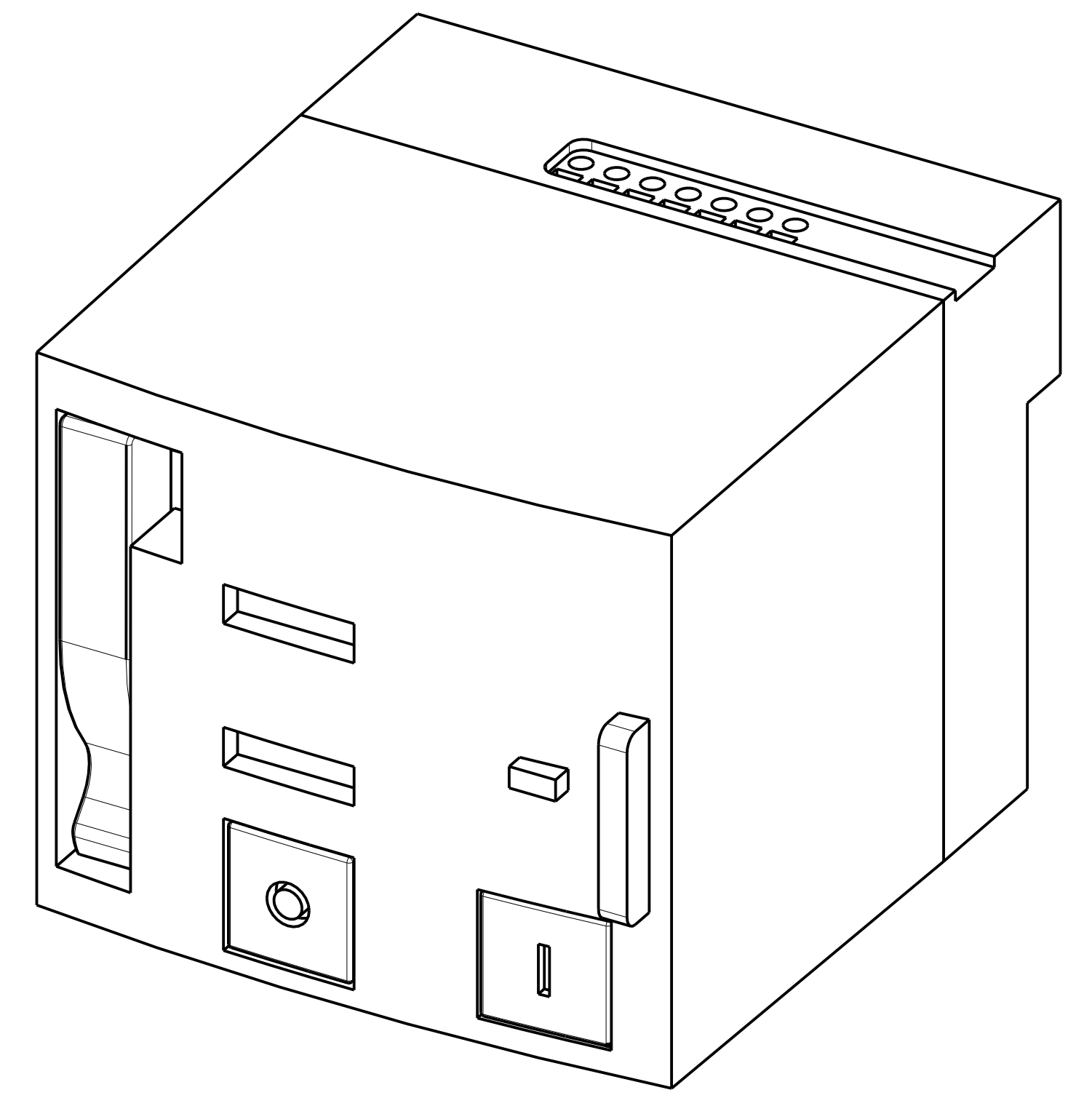
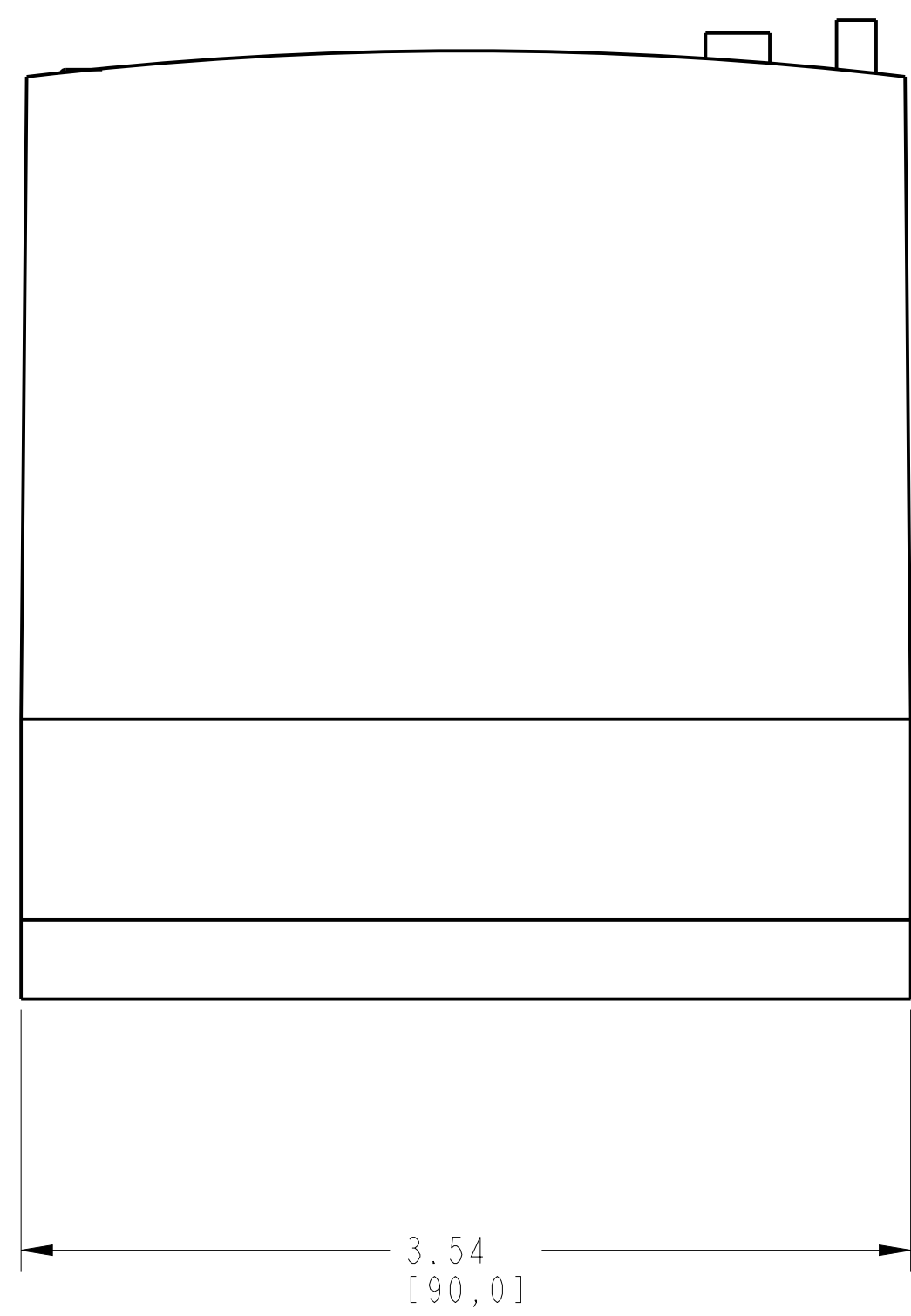


MOTOR OPERATOR EOP ASSEMBLED TO 140G-H-4-POLE
SCALE 1:10:1

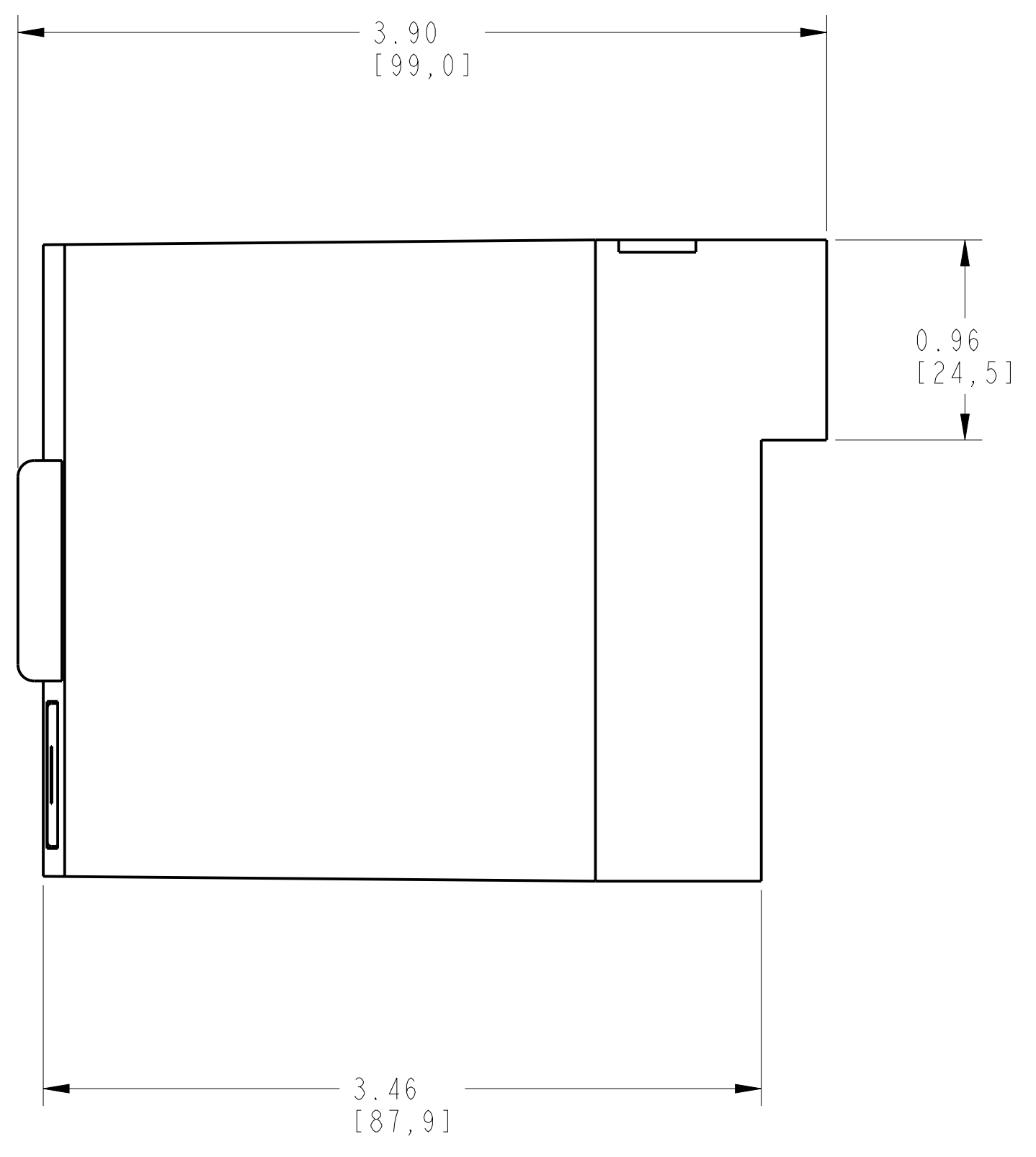
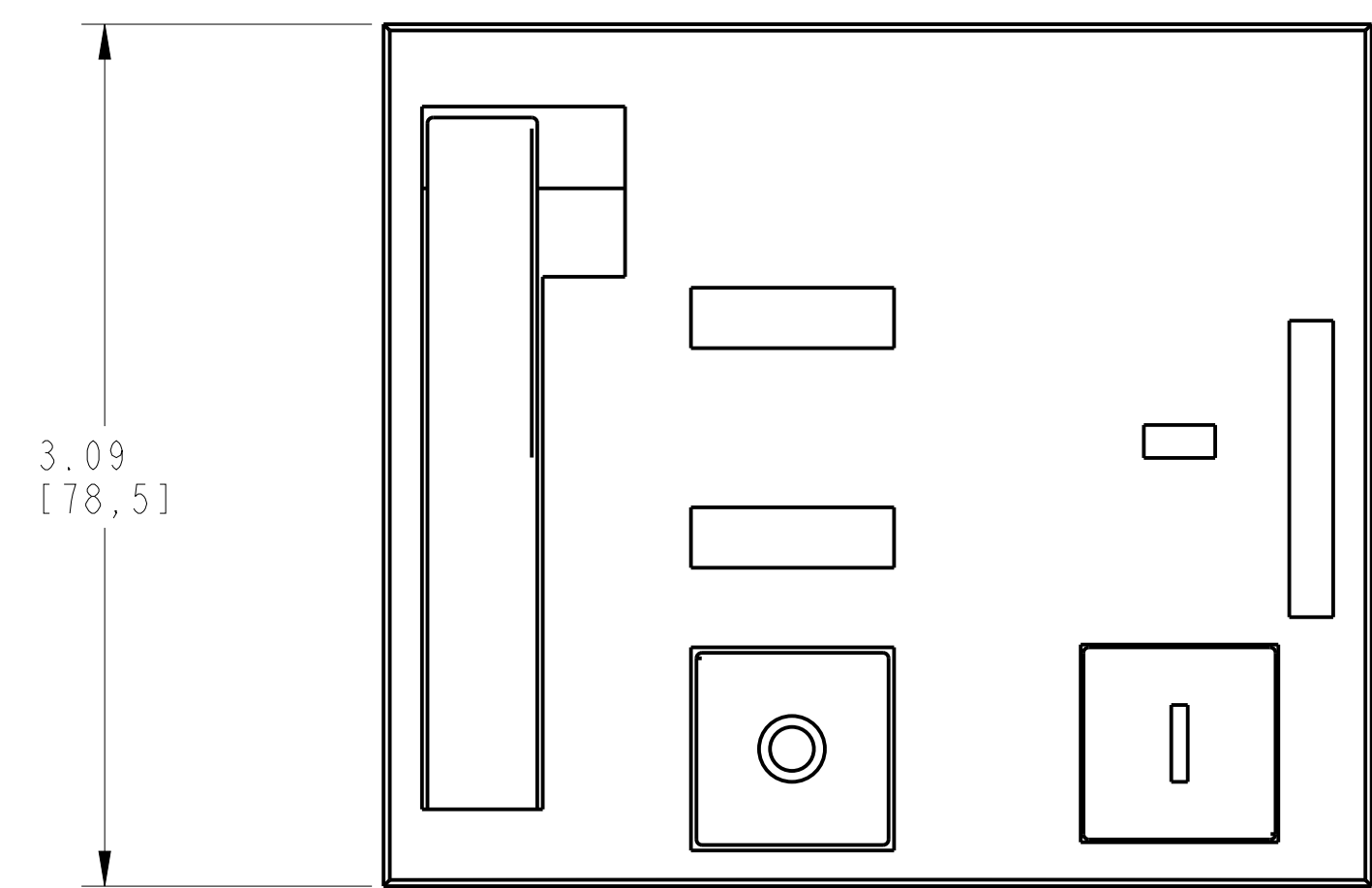
		<small>CONFIDENTIAL AND PROPRIETARY INFORMATION. THIS DOCUMENT CONTAINS CONFIDENTIAL AND PROPRIETARY INFORMATION OF ROCKWELL AUTOMATION, INC. AND MAY NOT BE USED, COPIED OR DISCLOSED TO OTHERS, EXCEPT WITH THE AUTHORIZED WRITTEN PERMISSION OF ROCKWELL AUTOMATION, INC.</small>	
		Sheet 2 Of 3	
EOP ASSEMBLED TO 140G-H-3P & 4P CB		Size	Ver
D		10000857117	00
Drawn by: UMUNUSW		Date: 26-Nov-13	

1 2 3 4 5 6 7 8

A
B
C
D
E
F
G
H



ISOMETRIC VIEW



ITEM 2 : MOTOR OPERATOR EOP
SCALE 1.50:1

		<small>CONFIDENTIAL AND PROPRIETARY INFORMATION THIS DOCUMENT CONTAINS CONFIDENTIAL AND PROPRIETARY INFORMATION OF ROCKWELL AUTOMATION, INC. AND MAY NOT BE USED, COPIED OR DISCLOSED TO OTHERS, EXCEPT WITH THE AUTHORIZED WRITTEN PERMISSION OF ROCKWELL AUTOMATION, INC.</small>	
		Sheet 3 Of 3	
EOP ASSEMBLED TO 140G-H-3P & 4P CB		Size	Ver
Drawn by: UMUNUSW Date: 26-Nov-13		D	10000857117 00