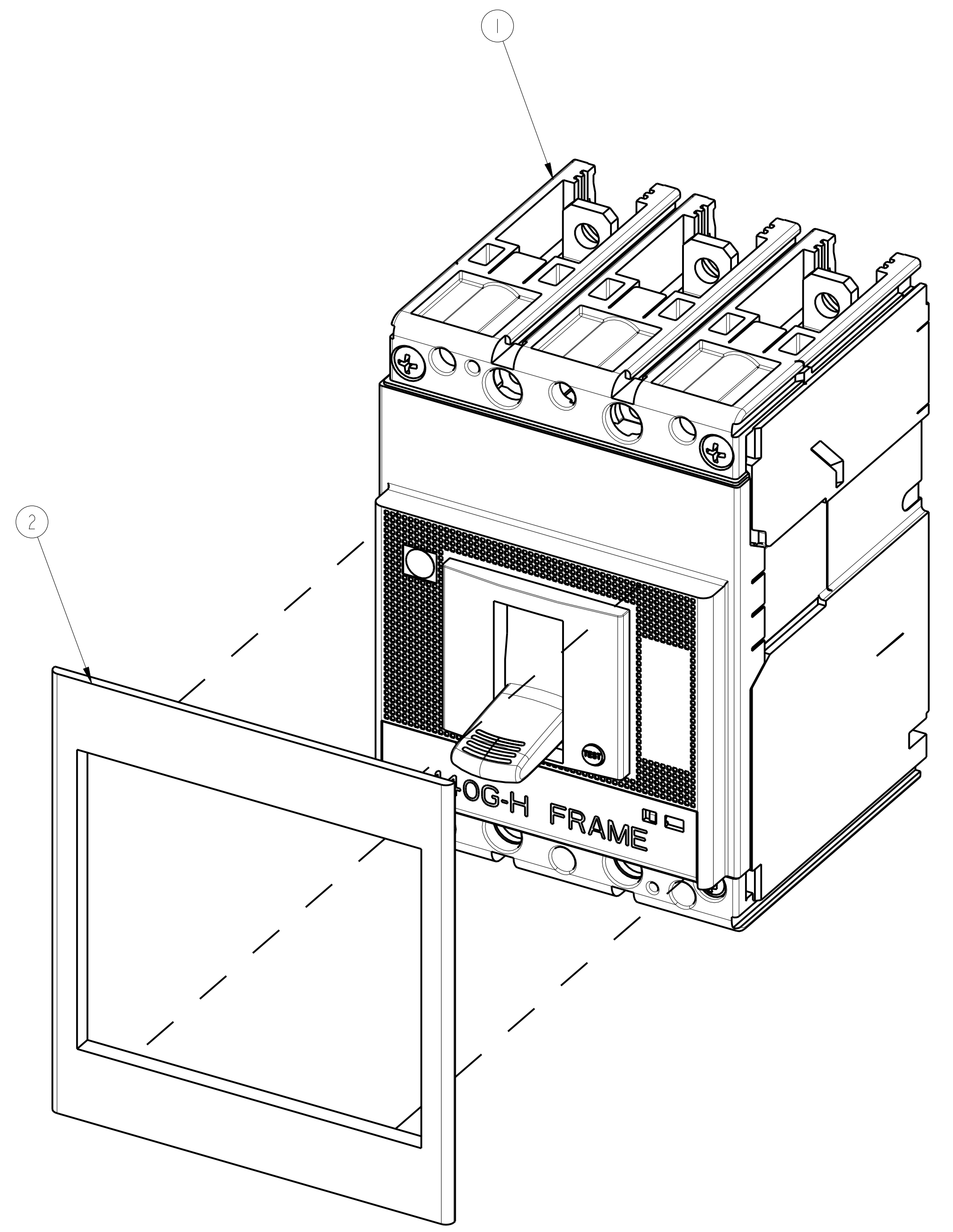
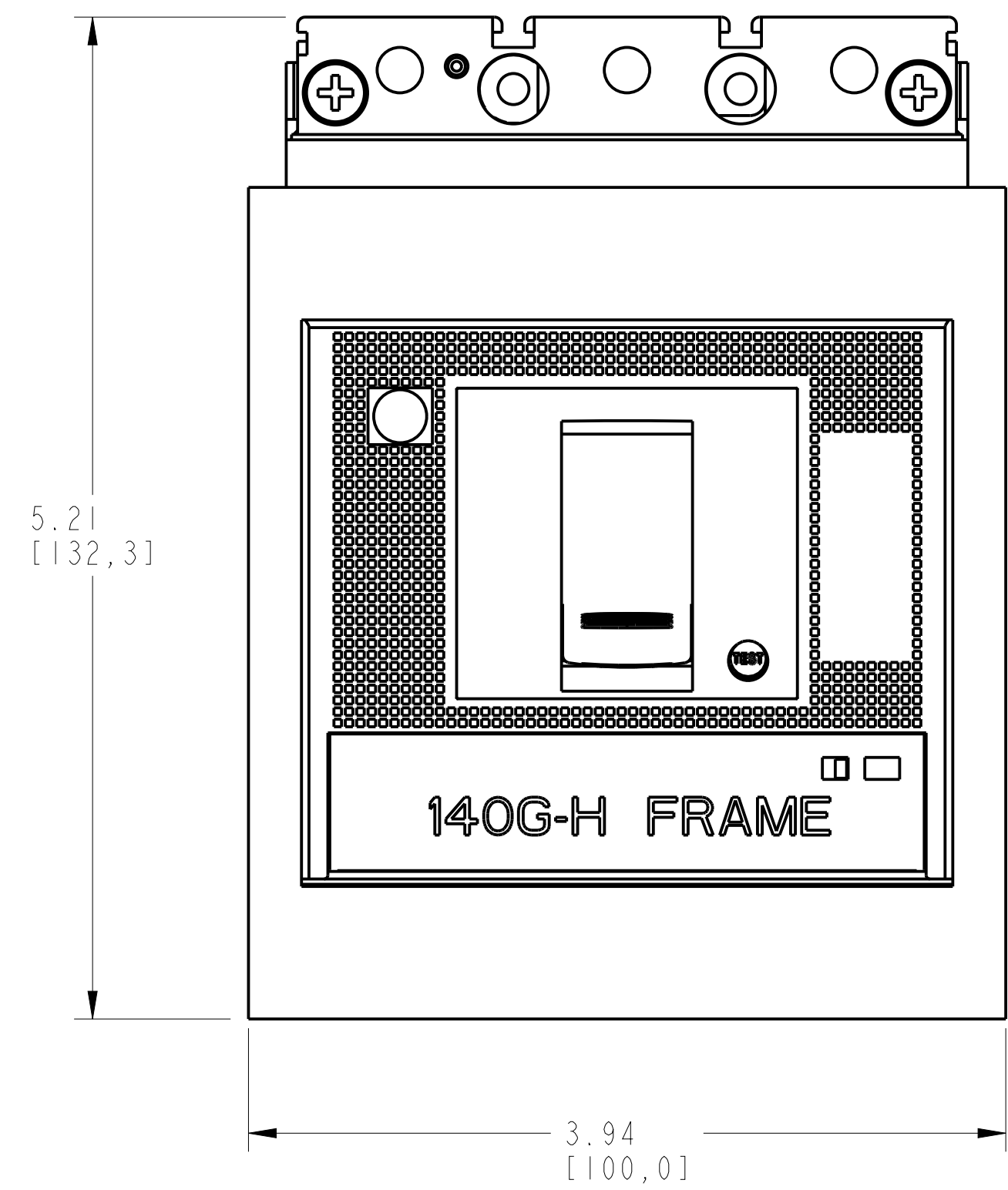
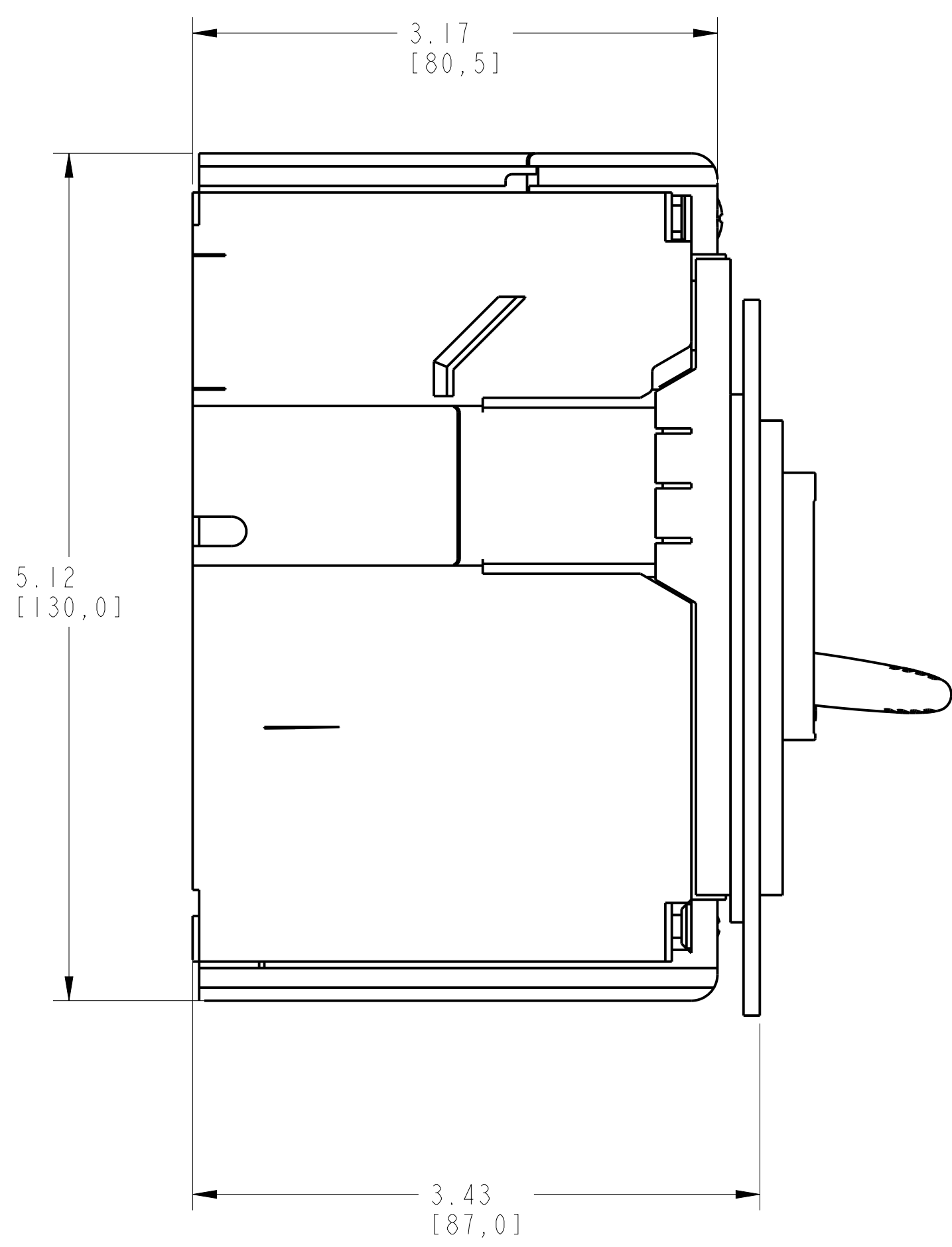
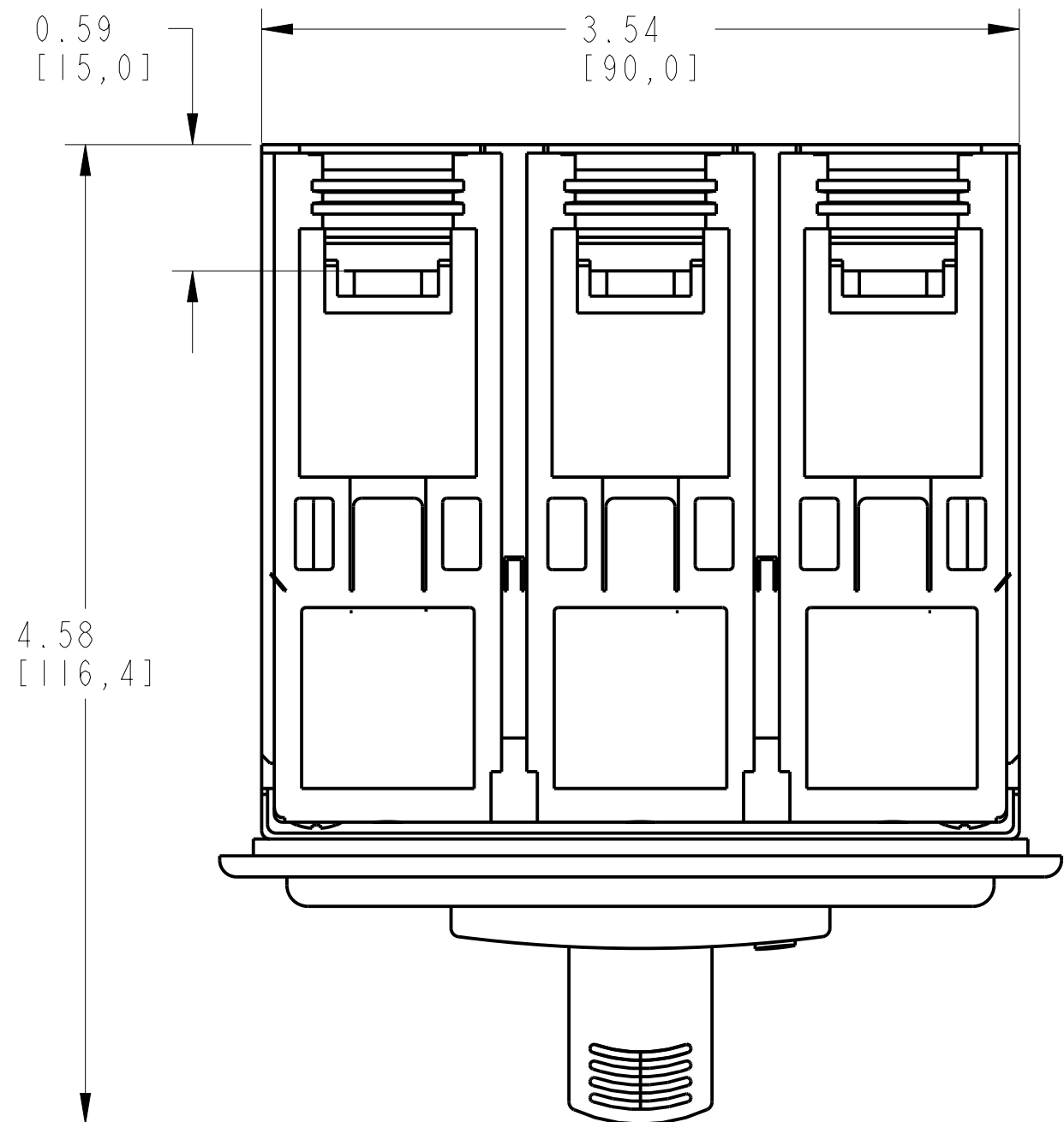
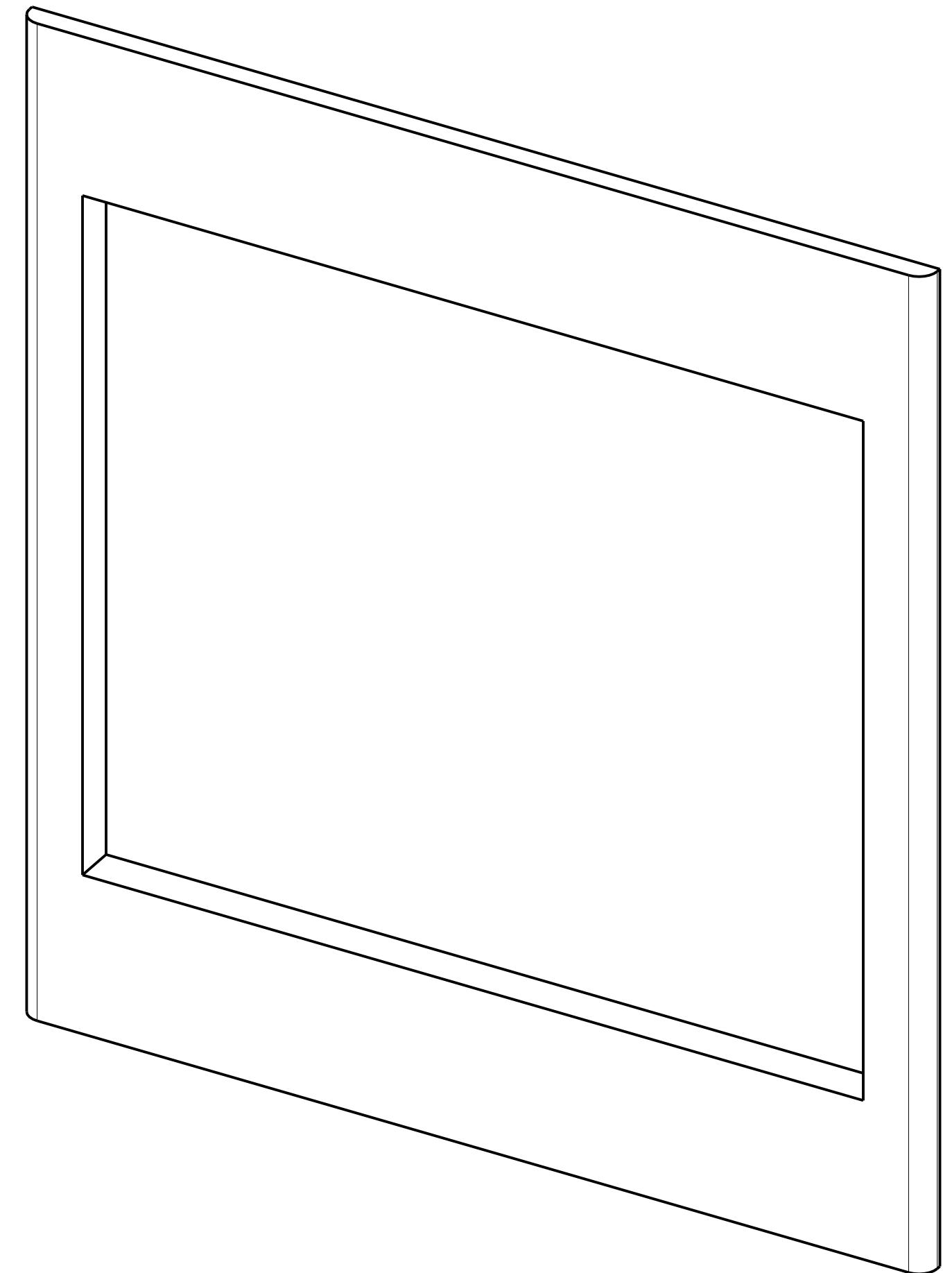
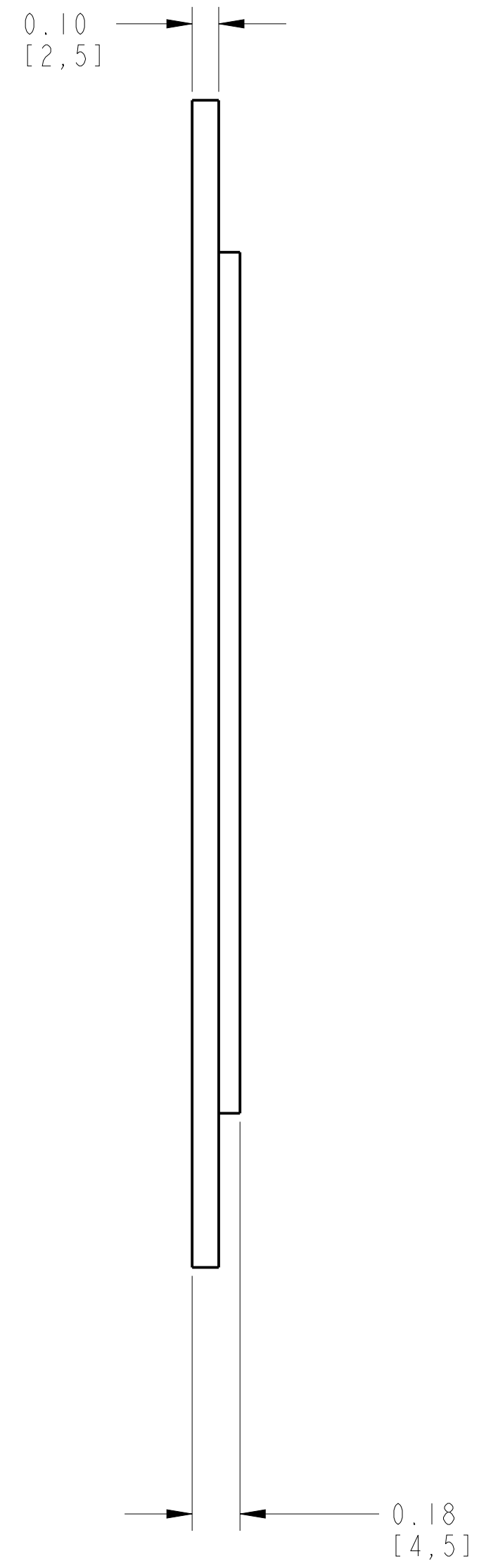
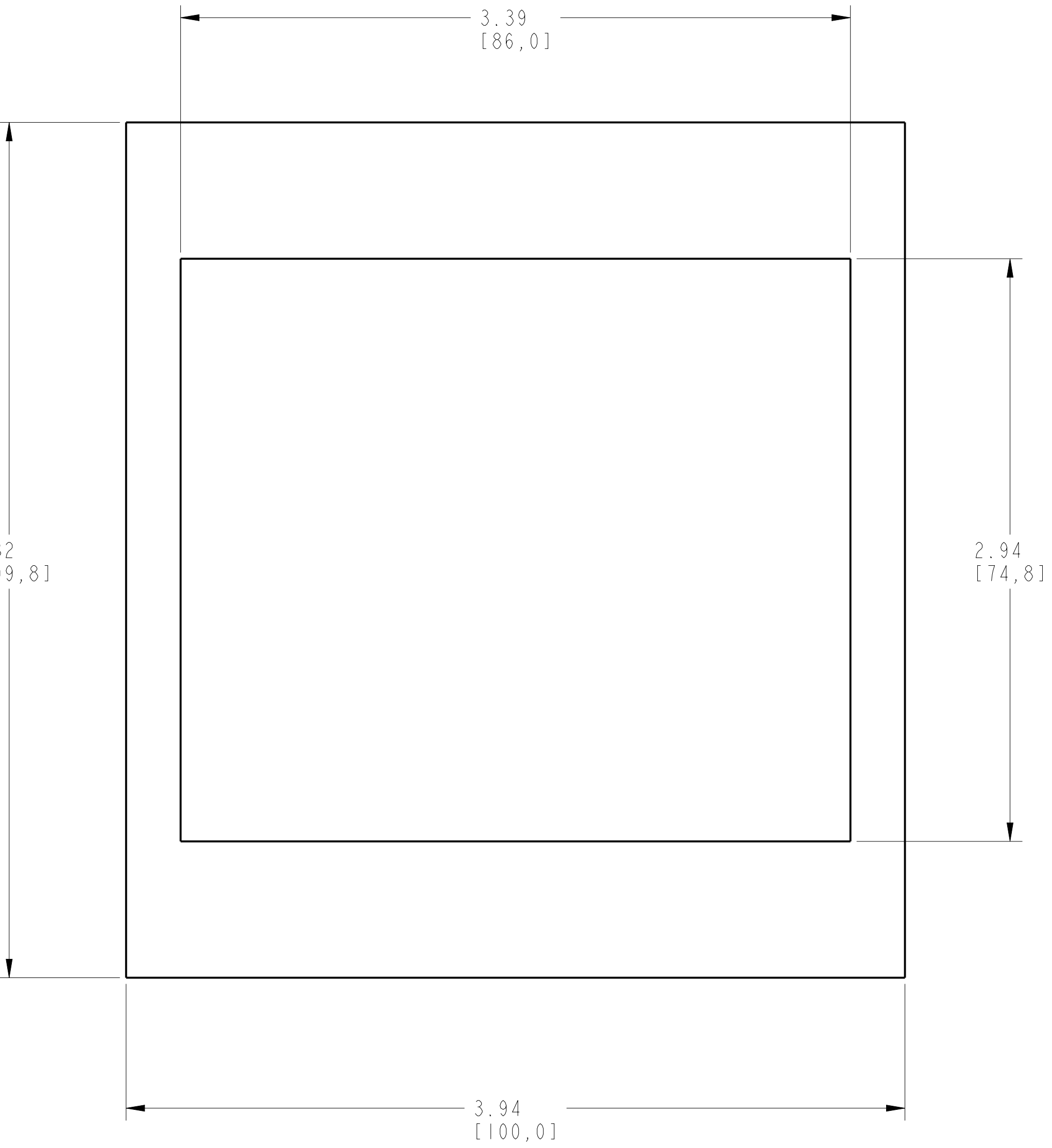


FLANGE 3POLE ASSEMBLY			
ITEM	DESCRIPTION	QTY	AB CAT NUMBER
1	MOLDED CASE CIRCUIT BREAKER	1	140G-H-3P CB
2	FLANGE 3POLE	1	140G-H-EP3



FLANGE 3POLE ASSEMBLED TO 140G-H-3-POLE  
SCALE 1.3:1



ISOMETRIC VIEW

ITEM 2 : FLANGE 3 POLE  
SCALE 2:1

		<small>CONFIDENTIAL AND PROPRIETARY INFORMATION. THIS DOCUMENT CONTAINS CONFIDENTIAL AND PROPRIETARY INFORMATION OF ROCKWELL AUTOMATION, INC. AND MAY NOT BE USED, COPIED OR DISCLOSED TO OTHERS, EXCEPT WITH THE AUTHORIZED WRITTEN PERMISSION OF ROCKWELL AUTOMATION, INC.</small>	
		Sheet 2 Of 2	
FLANGE ASSEMBLED TO I40G-H-3P CB		Size <b>D</b>	Ver <b>00</b>
Drawn by: UMUNUSW	Date: 22-Nov-13	<b>10000853636</b>	