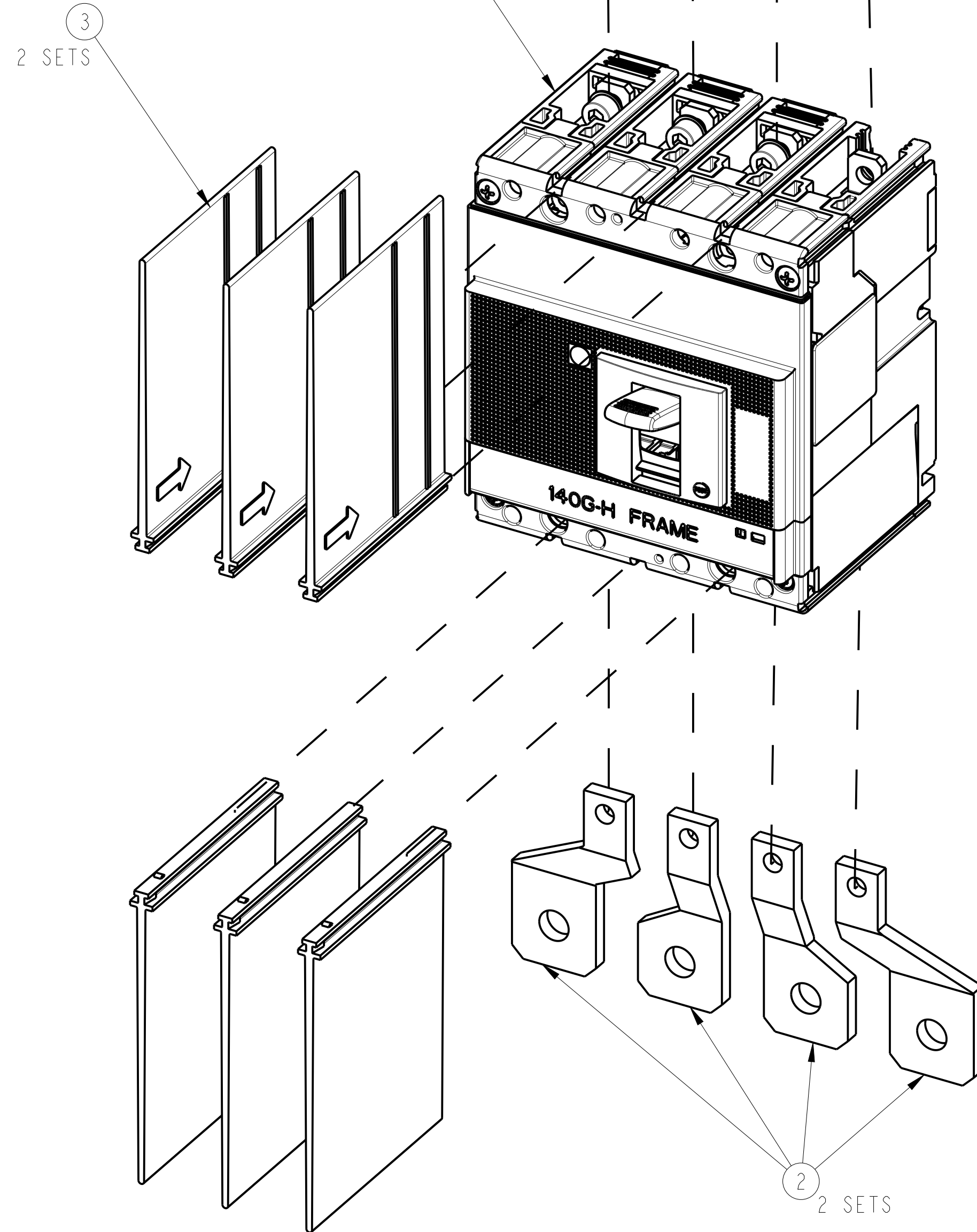
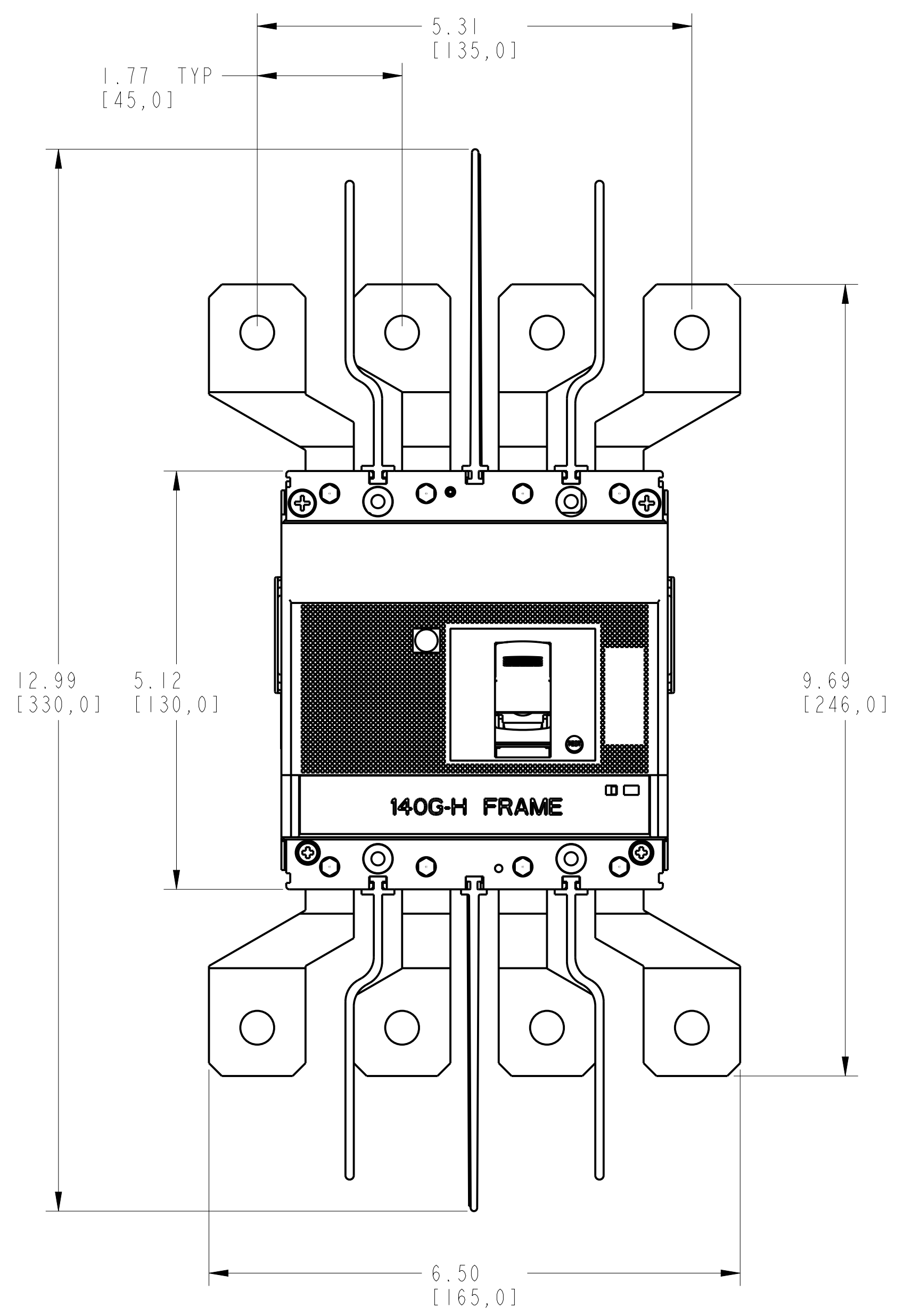
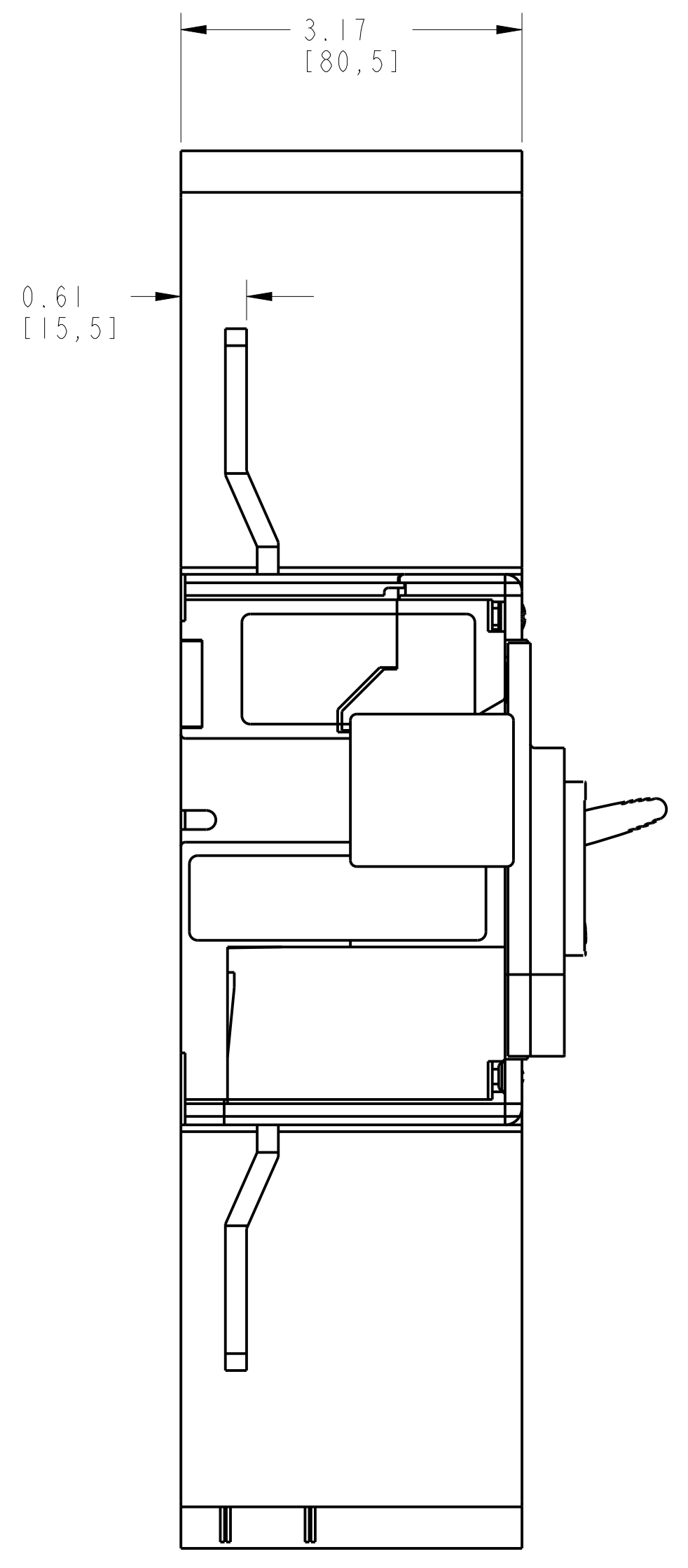
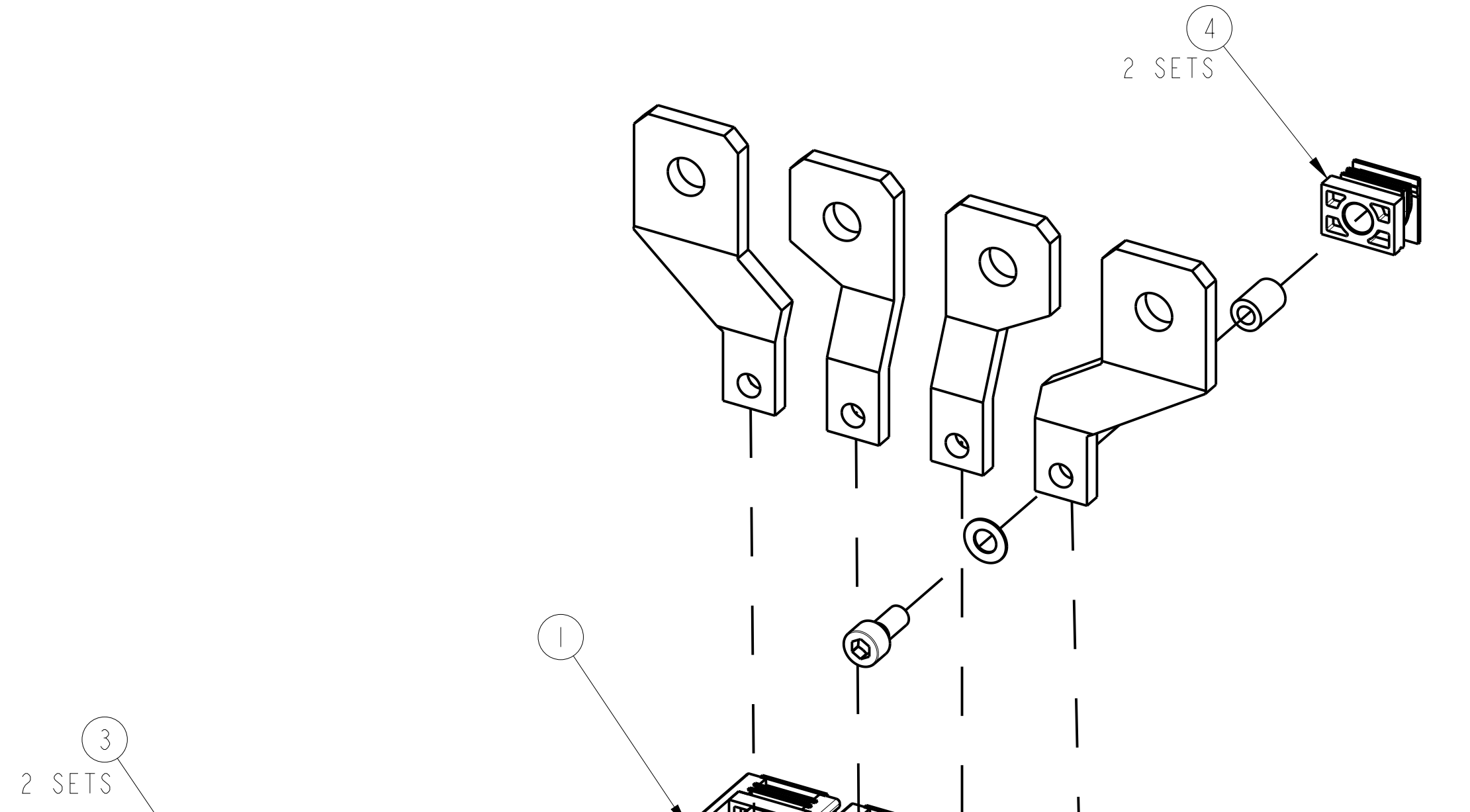
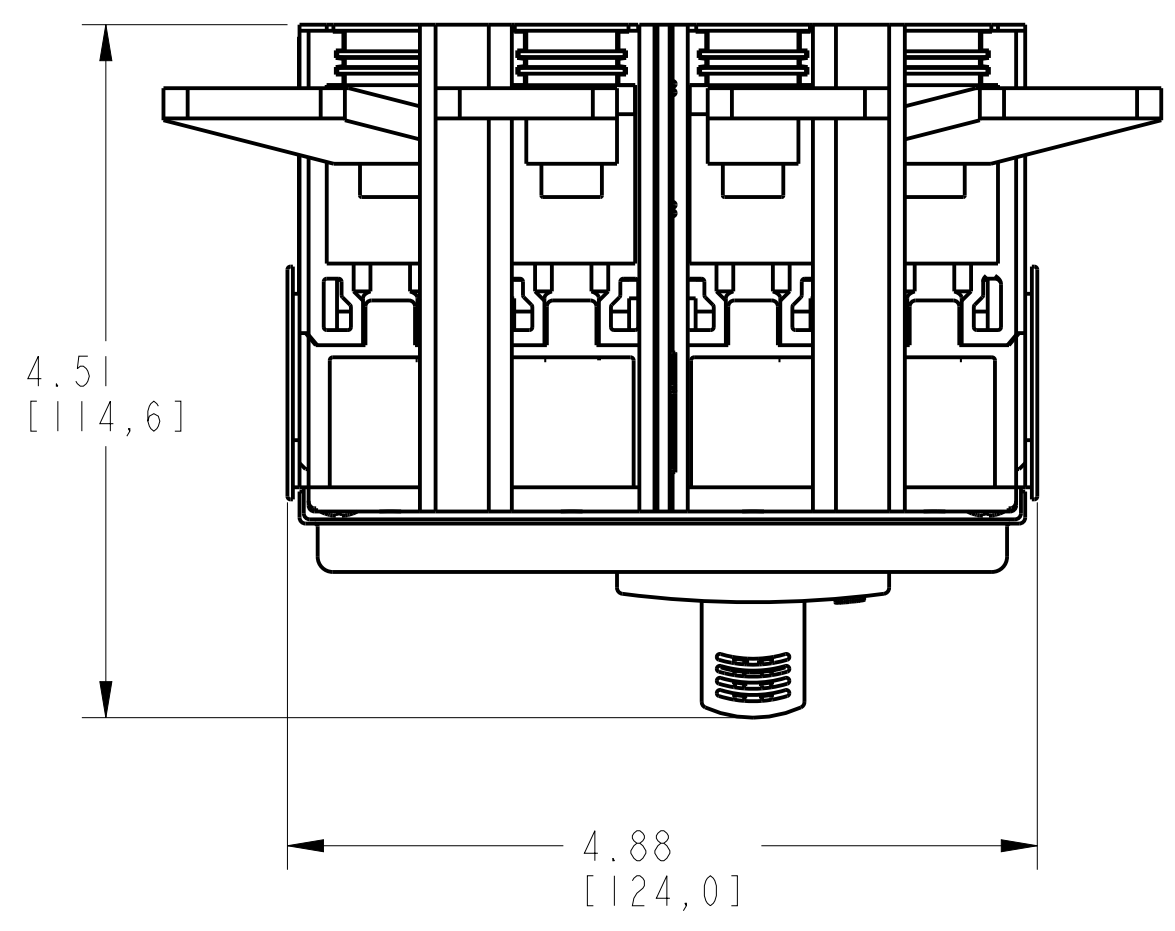
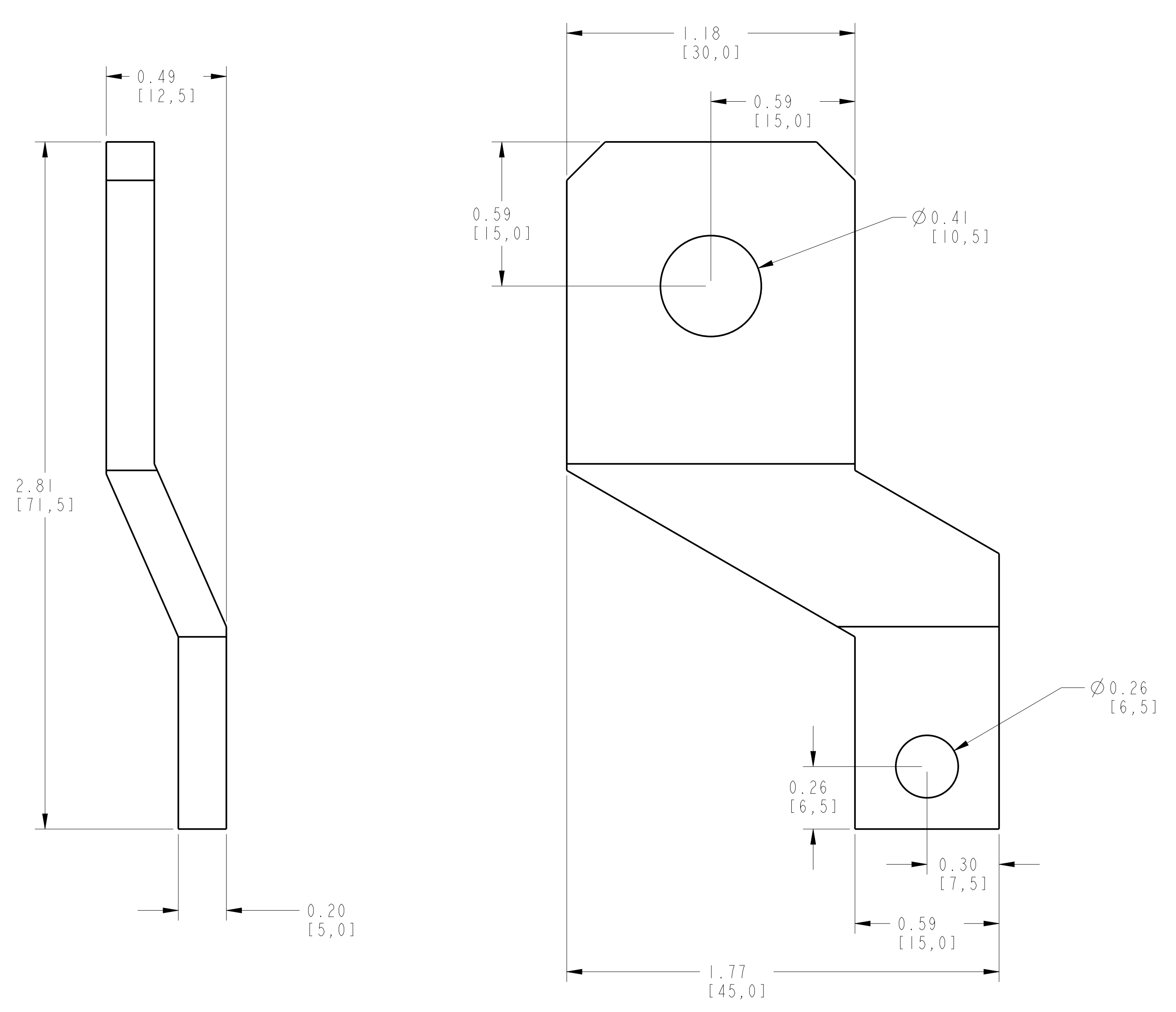


FRONT SPREADER TERMINAL ASSEMBLY			
ITEM	DESCRIPTION	QTY	AB CAT NUMBER
1	MOLDED CASE CIRCUIT BREAKER	1	140G-H-4P CB
2	FRONT SPREADER TERMINAL	2 SETS	140G-H-EXS4
3	PHASE BARRIERS LOW 4 POLE (3 PCS)	2 SETS	140G-H-PB4L
4	ENDCAP ASSEMBLY (4 PCS)	2 SETS	-

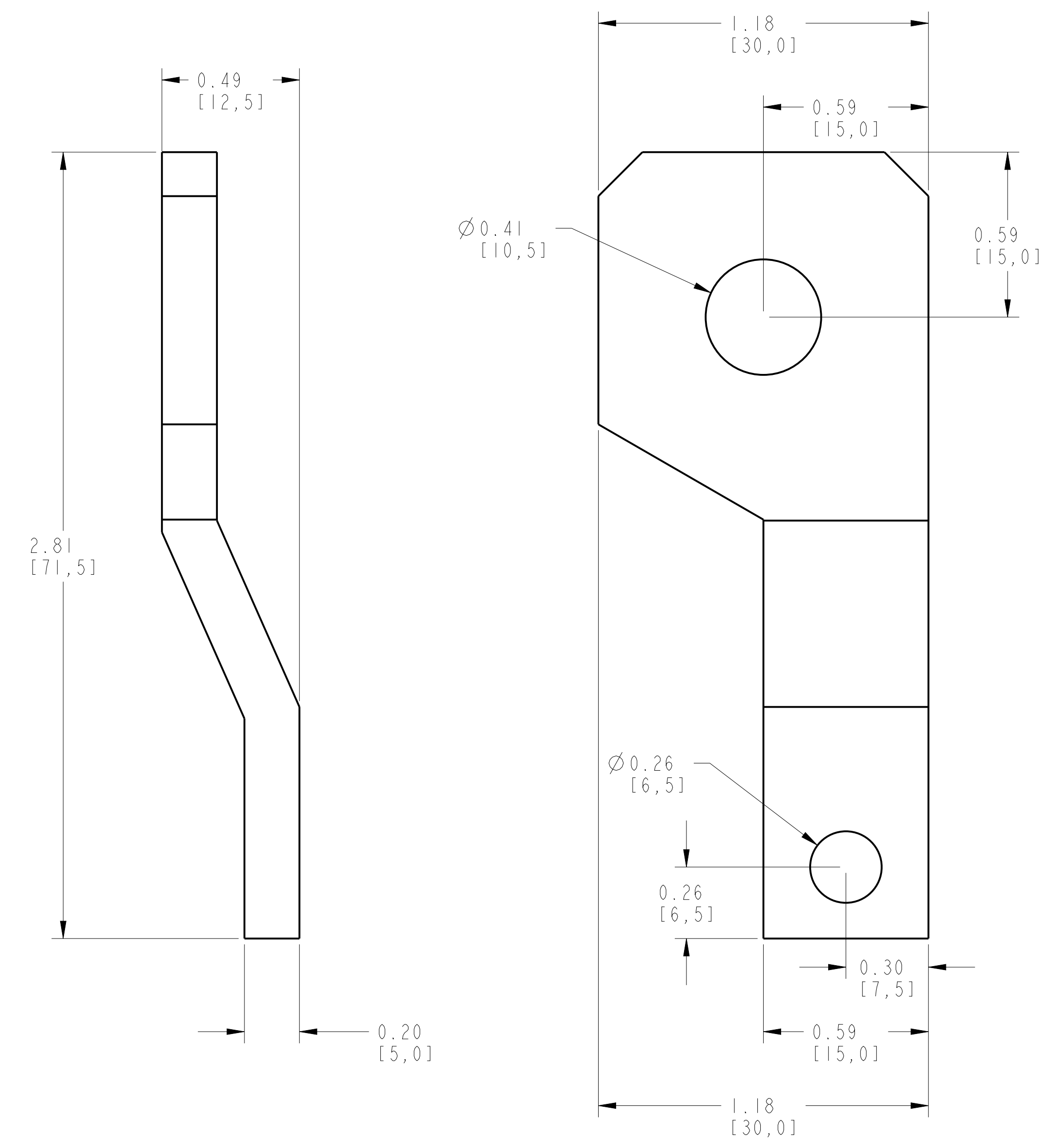


FRONT SPREADER TERMINAL ASSEMBLED TO 140G-H-4-POLE

SCALE 0.8:1



ITEM 2 : FRONT SPREADER TERMINAL LH/RH END
SCALE 3:1



ITEM 2 : FRONT SPREADER TERMINAL MIDDLE
SCALE 3:1