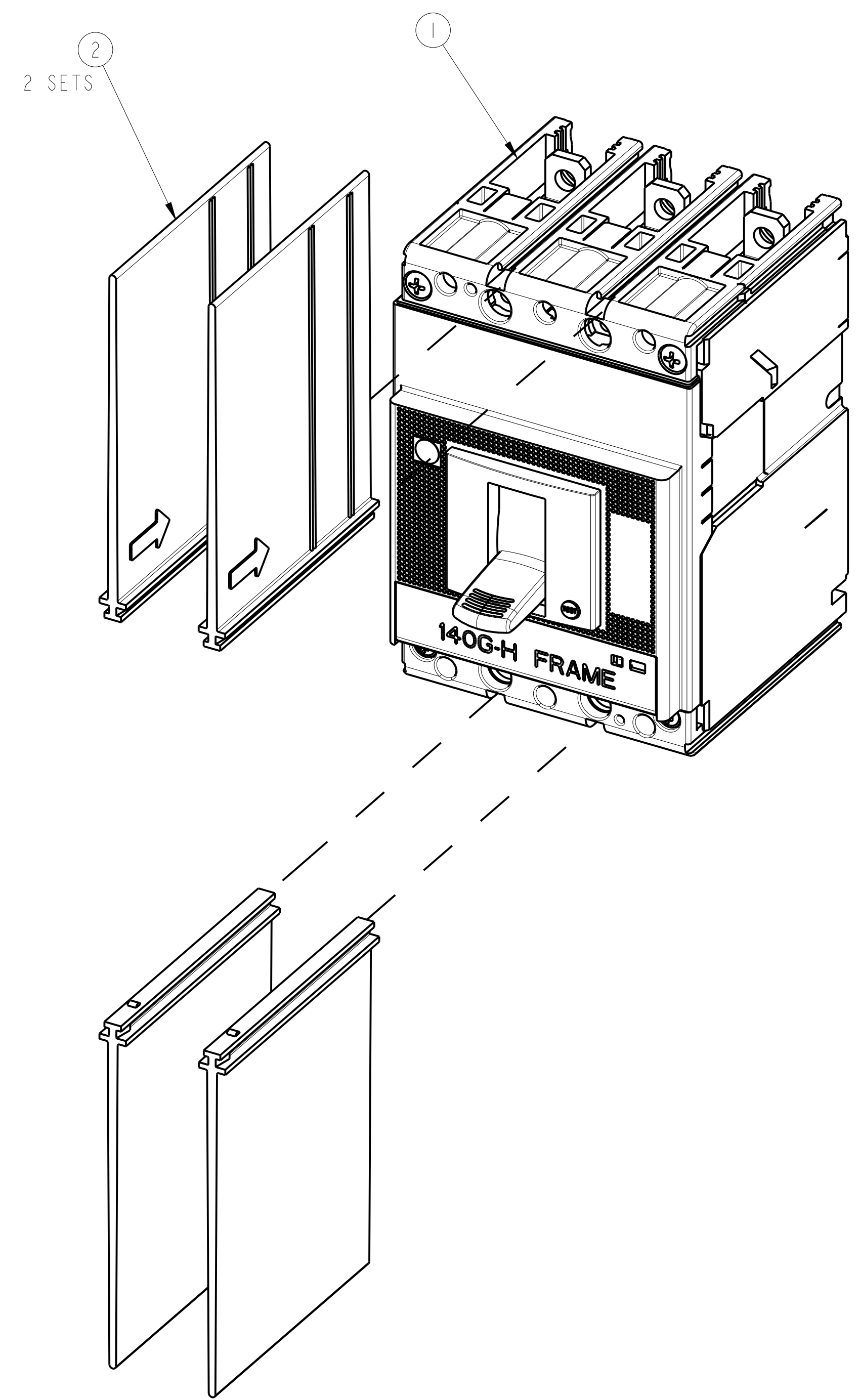
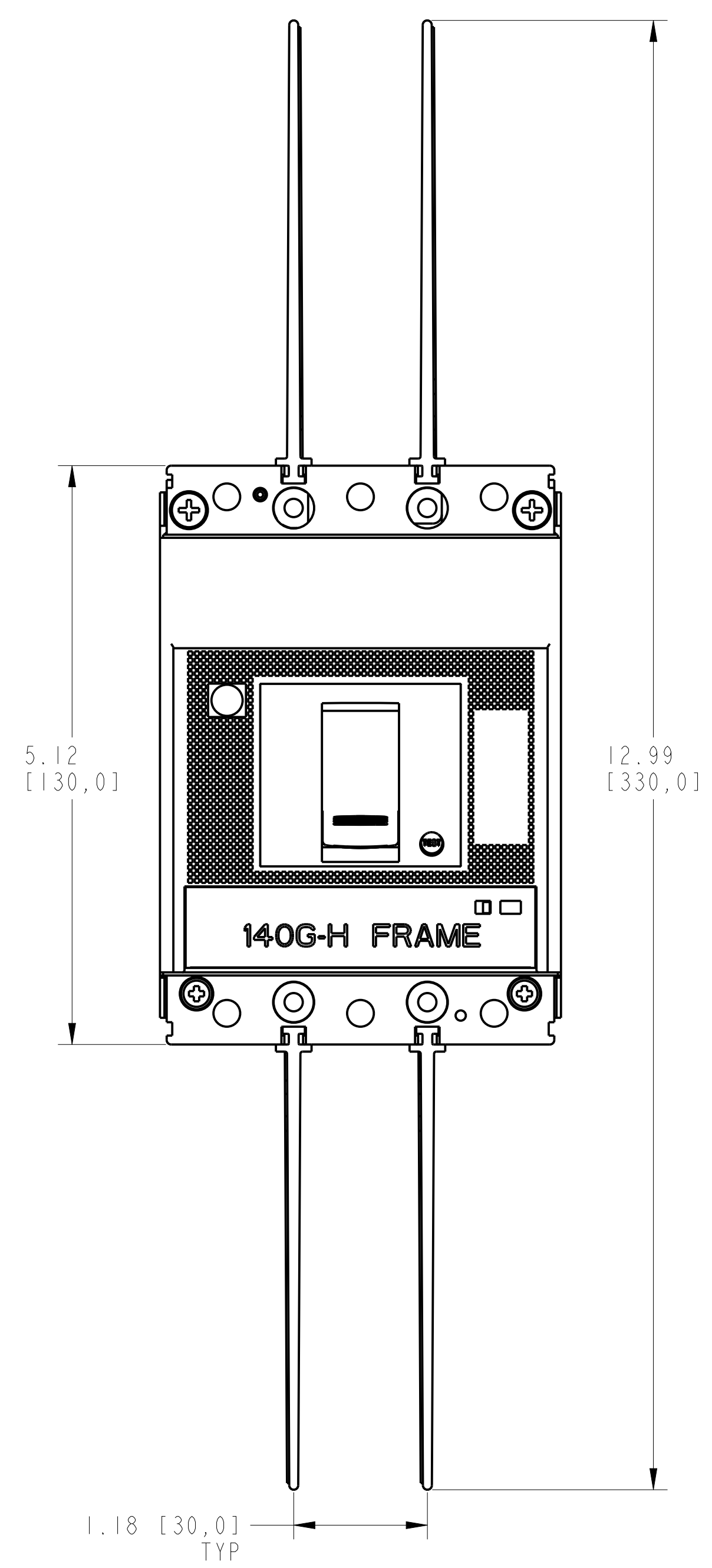
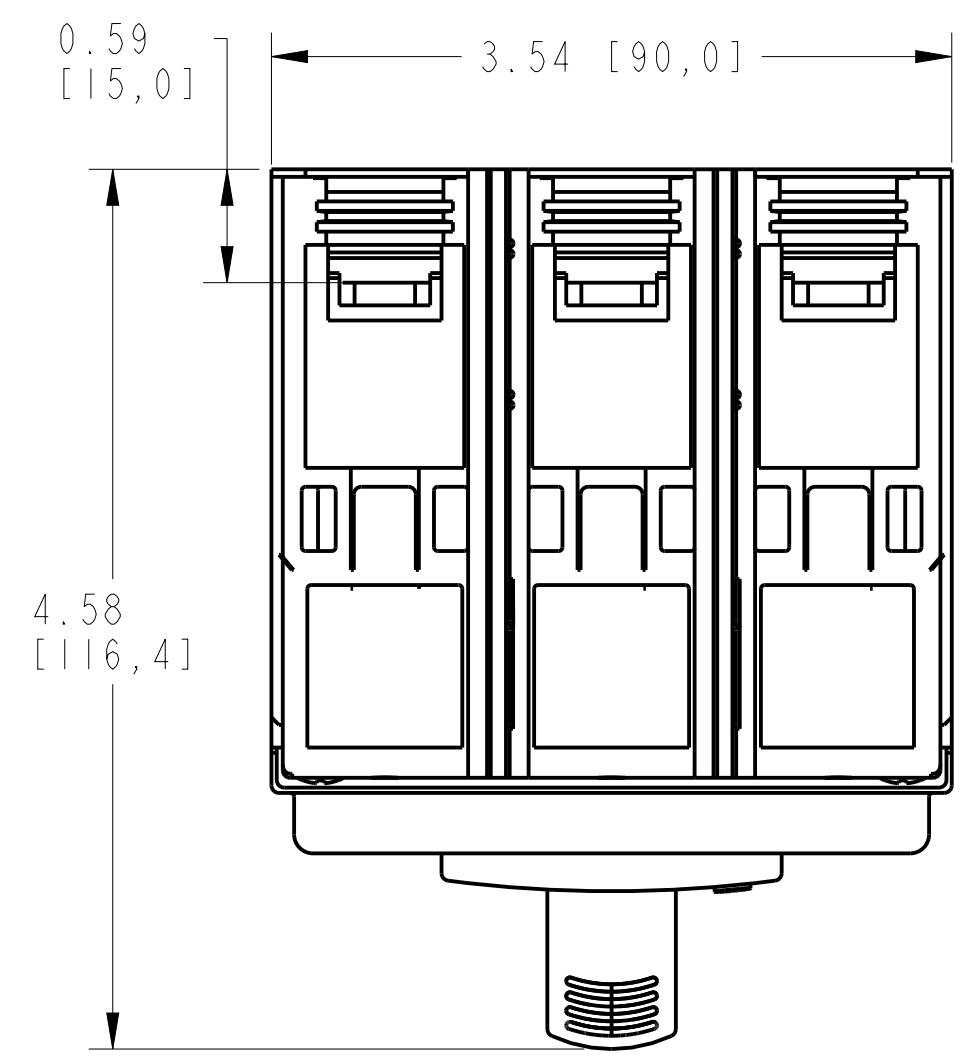
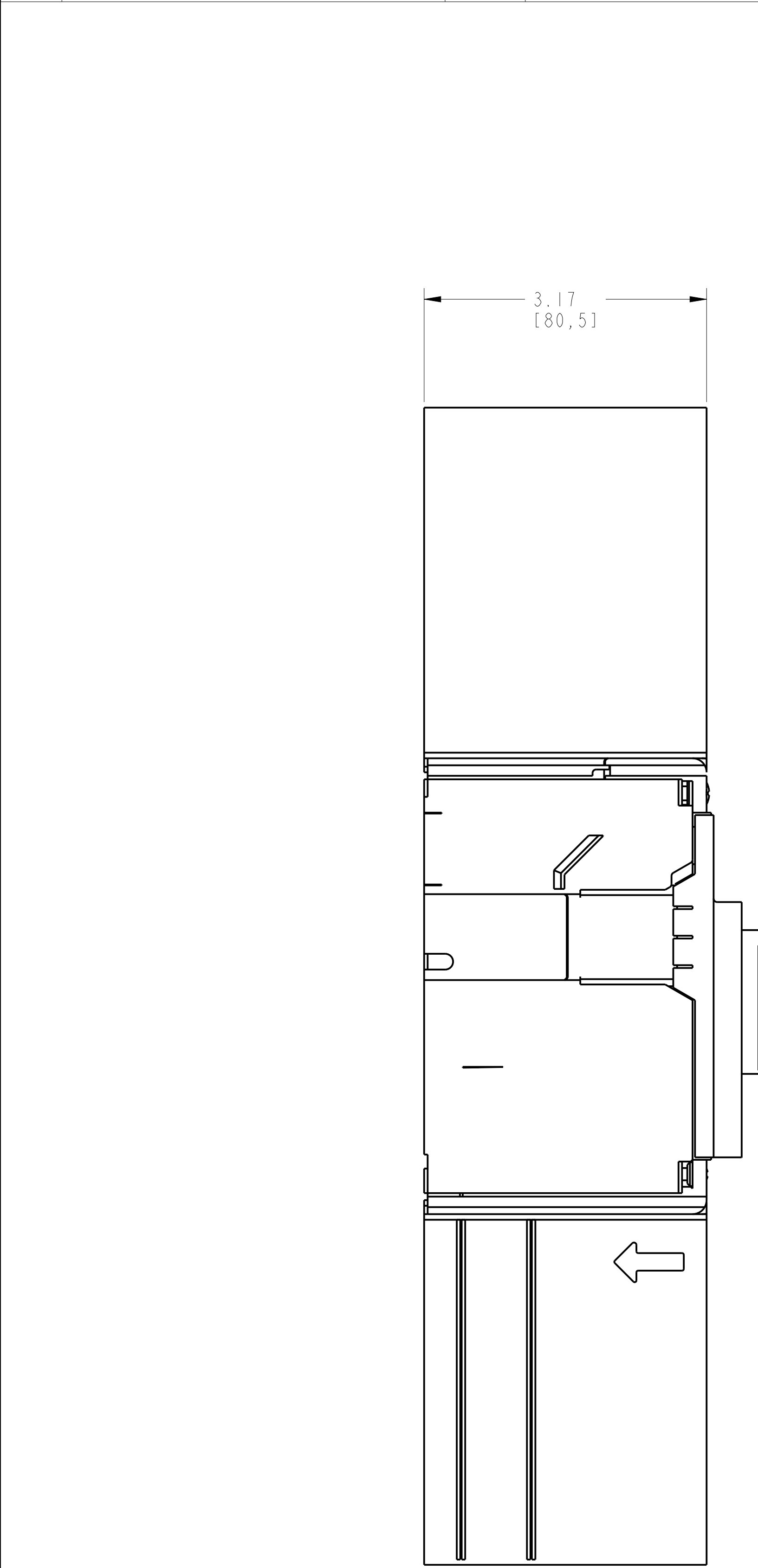


PHASE BARRIERS LOW 3 POLE ASSEMBLY			
ITEM	DESCRIPTION	QTY	AB CAT NUMBER
1	MOLDED CASE CIRCUIT BREAKER	1	140G-H-3P CB
2	PHASE BARRIERS LOW 3 POLE (2 PCS)	2 SETS	140G-H-PB3L

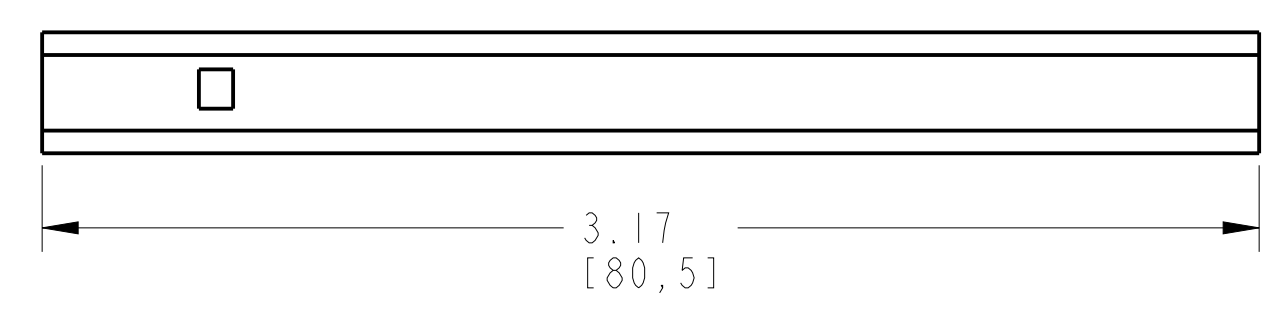
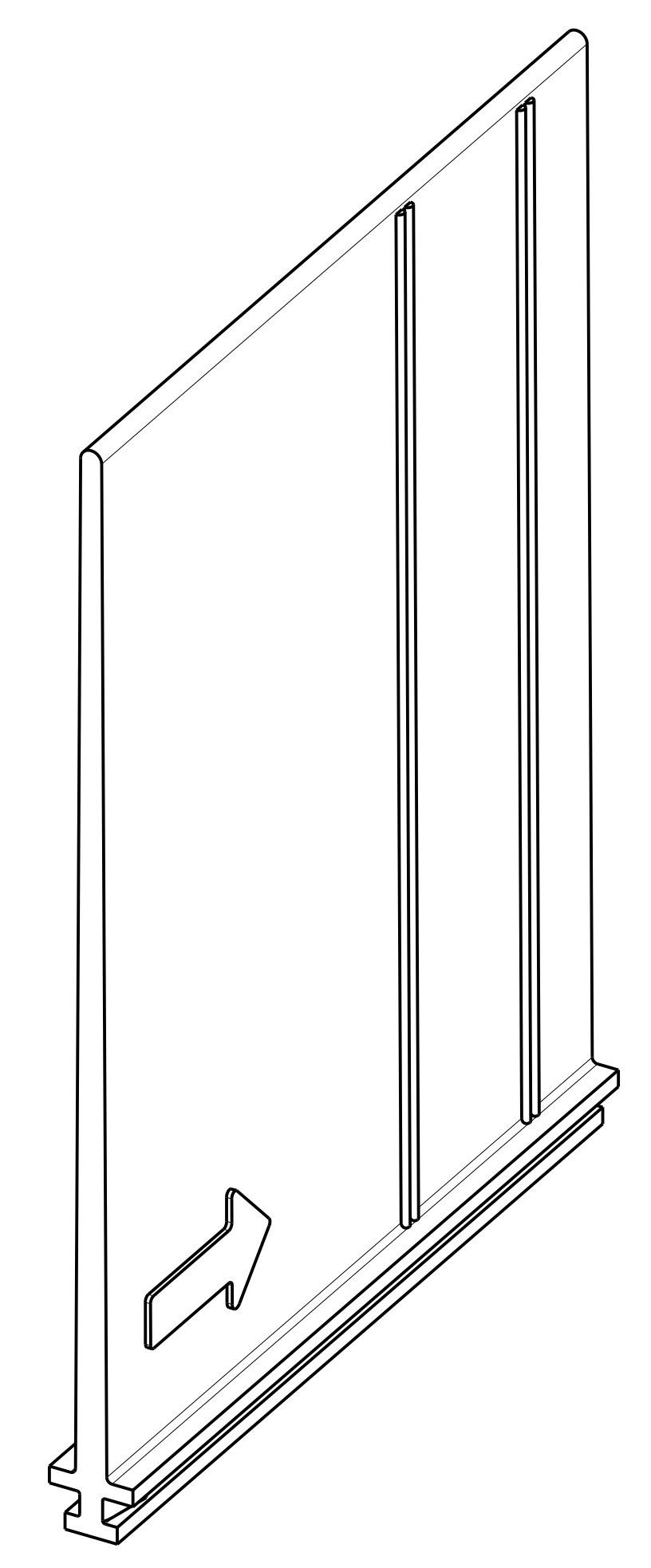
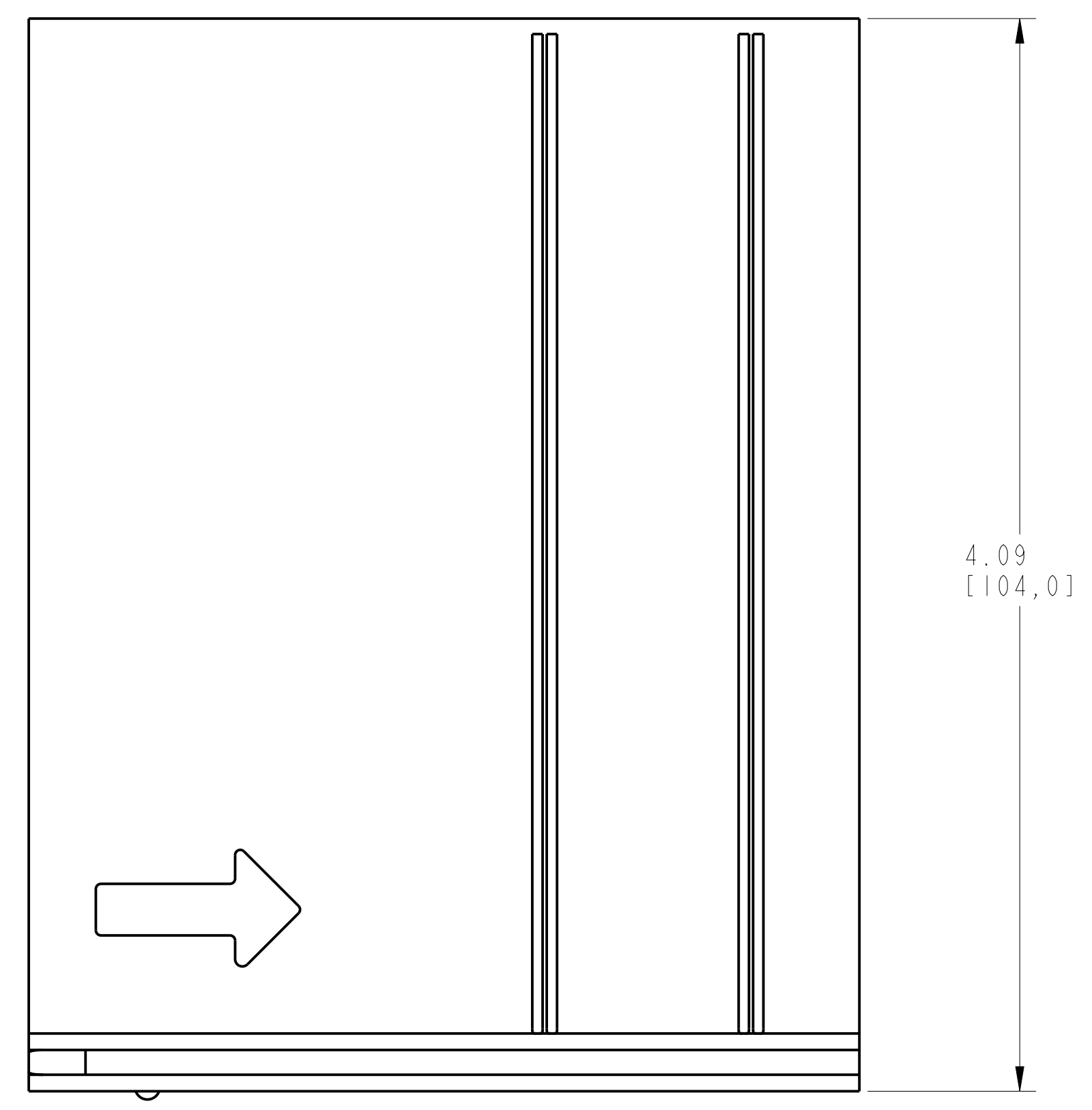
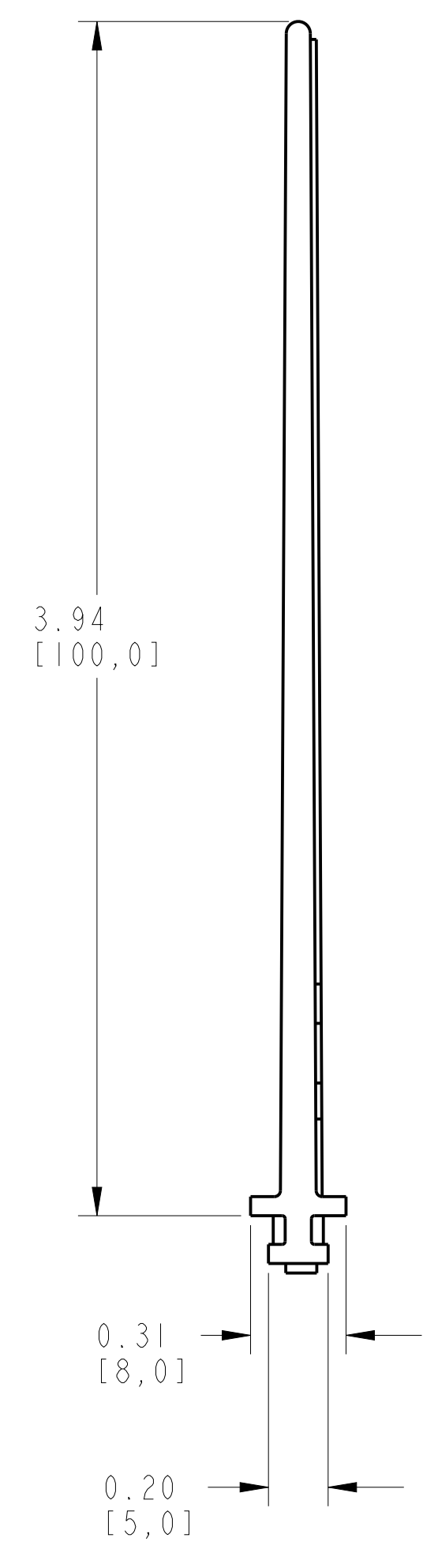


PHASE BARRIERS LOW 3 POLE ASSEMBLED TO 140G-H-3-POLE
SCALE 1:1

	<small>CONFIDENTIAL AND PROPRIETARY INFORMATION. THIS DOCUMENT CONTAINS CONFIDENTIAL AND PROPRIETARY INFORMATION OF ROCKWELL AUTOMATION, INC. AND MAY NOT BE USED, COPIED OR DISCLOSED TO OTHERS, EXCEPT WITH THE AUTHORIZED WRITTEN PERMISSION OF ROCKWELL AUTOMATION, INC.</small>	
	Sheet 1 Of 2	Ver
PB-100MM ASSEMBLED TO 140G-H3POLE CB	D	10000851925 00
Drawn by: UMUNUSW	Date: OCT-18-2013	

1 2 3 4 5 6 7 8

A
B
C
D
E
F
G
H



ITEM 2 : PHASE BARRIERS LOW 3 POLE
SCALE 2:1

		<small>CONFIDENTIAL AND PROPRIETARY INFORMATION. THIS DOCUMENT CONTAINS CONFIDENTIAL AND PROPRIETARY INFORMATION OF ROCKWELL AUTOMATION, INC. AND MAY NOT BE USED, COPIED OR DISCLOSED TO OTHERS, EXCEPT WITH THE AUTHORIZED WRITTEN PERMISSION OF ROCKWELL AUTOMATION, INC.</small>	
		Sheet 2 Of 2	
PB-100MM ASSEMBLED TO 140G-H3POLE CB		Size D	Ver 00
Drawn by: UMUNUSW	Date: OCT-18-2013	10000851925	