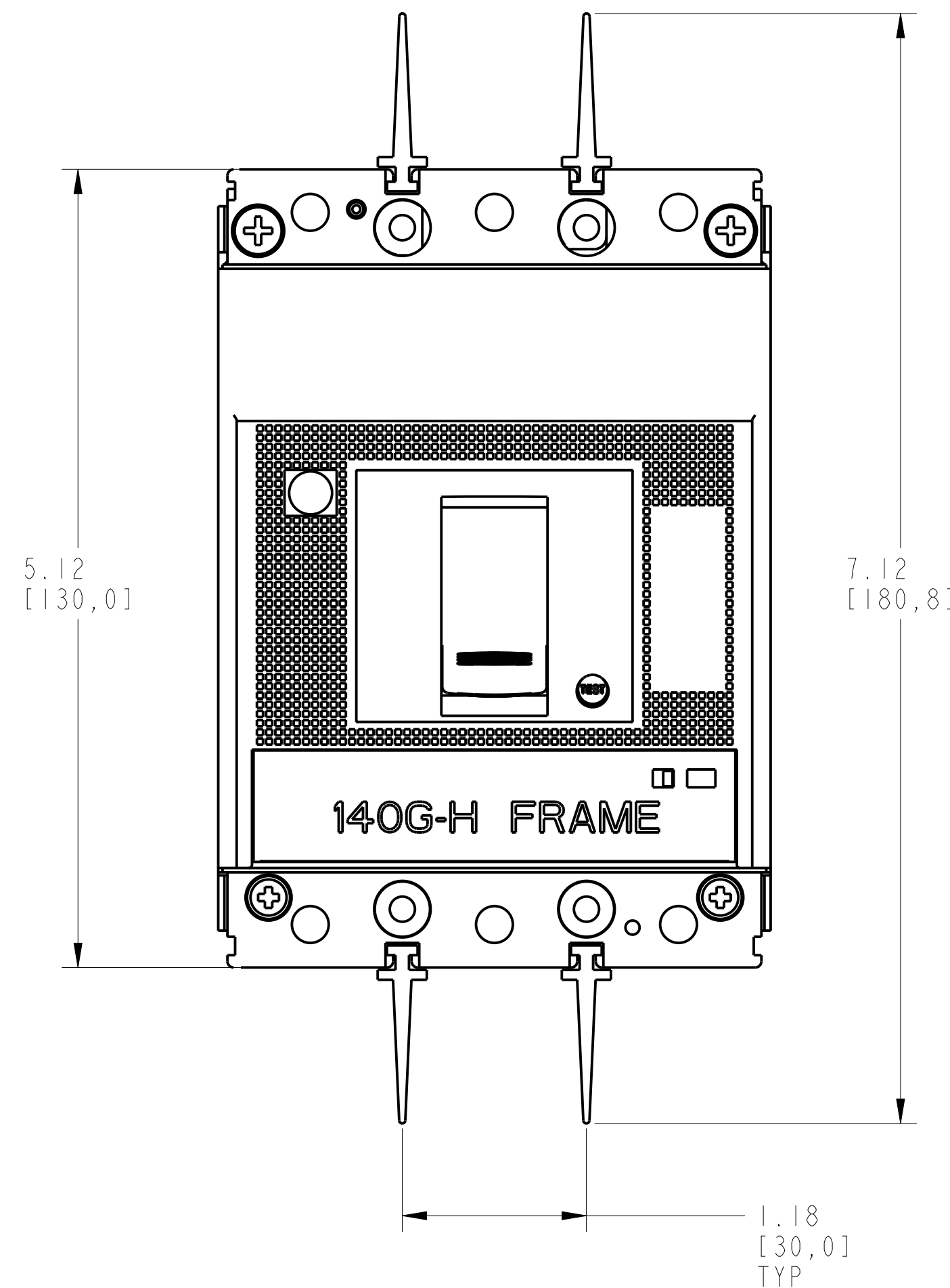
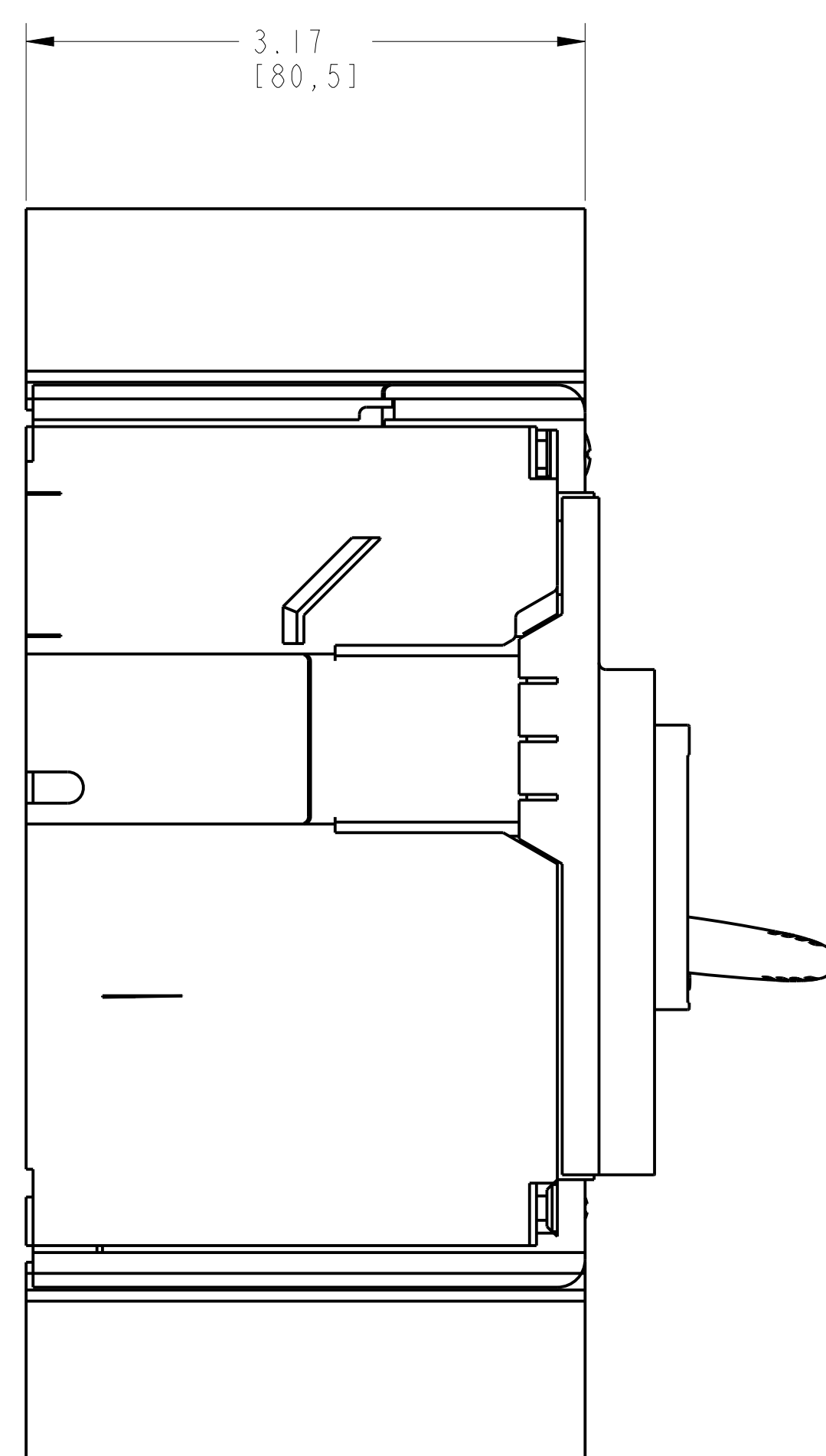
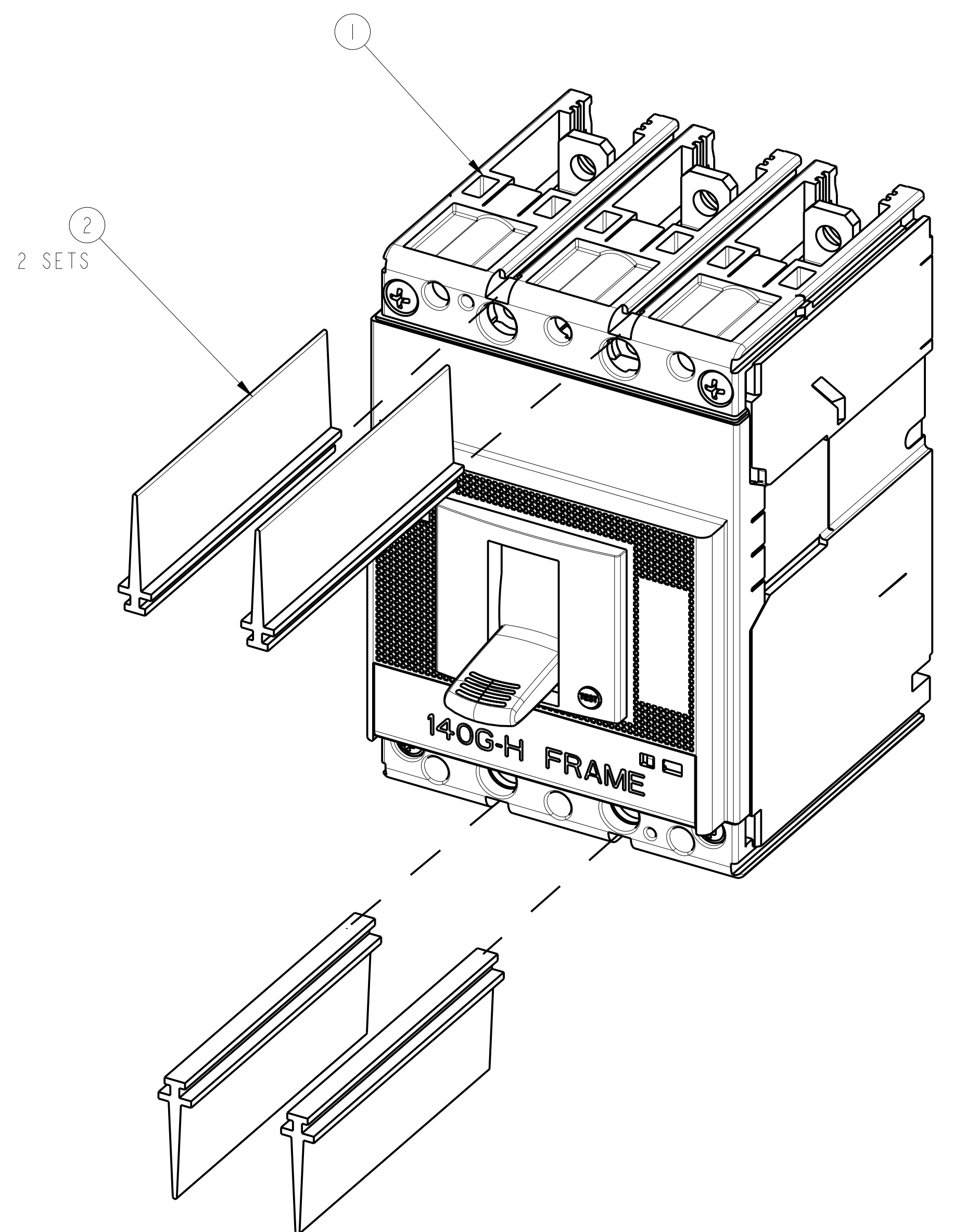
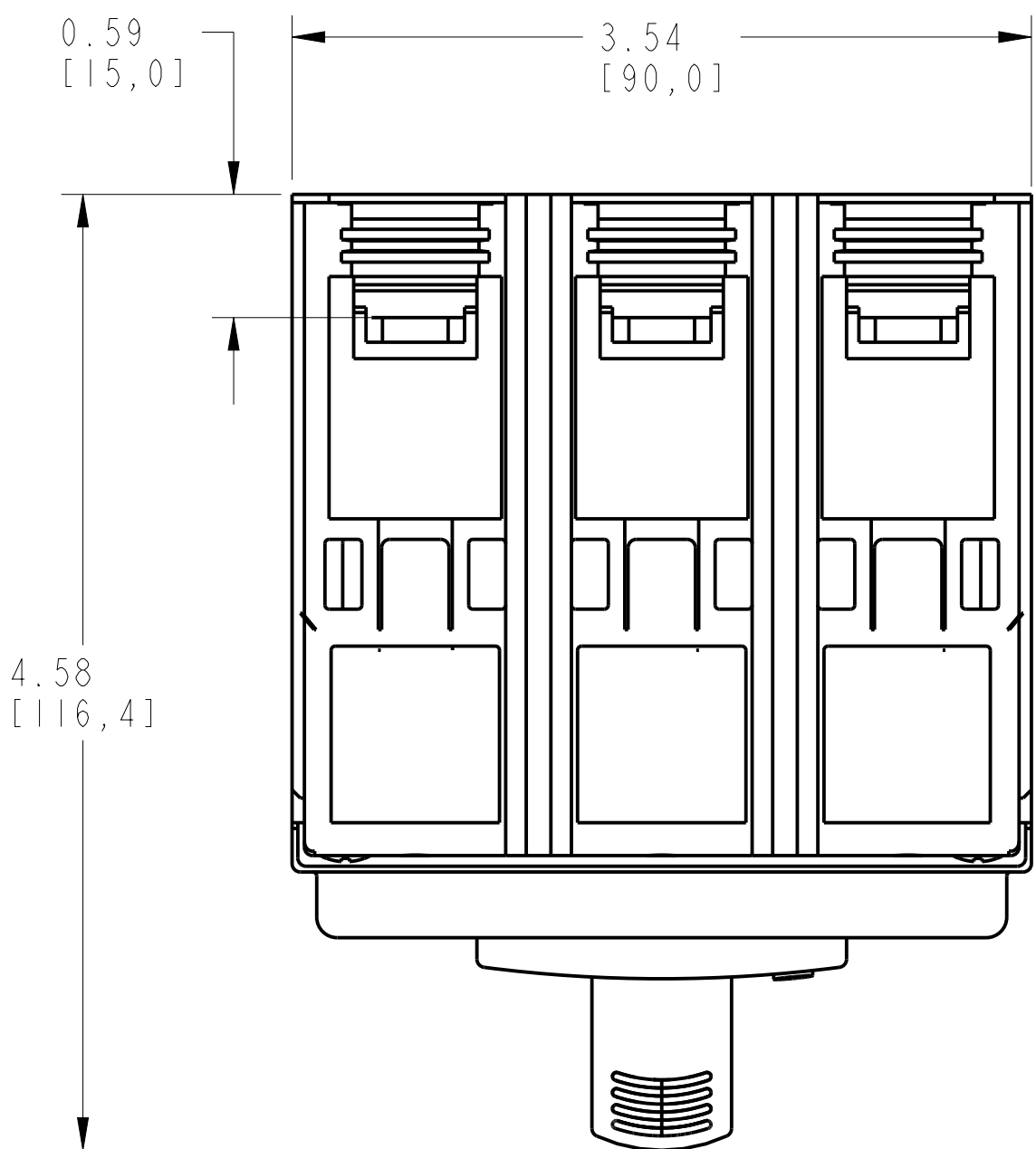


1 2 3 4 5 6 7 8

PHASE BARRIERS 25mm ASSEMBLY

ITEM	DESCRIPTION	QTY	AB CAT NUMBER
1	MOLDED CASE CIRCUIT BREAKER	1	140G-H-3P CB
2	PHASE BARRIERS 25MM (2 PCS)	2 SETS	140G-H-PB3M

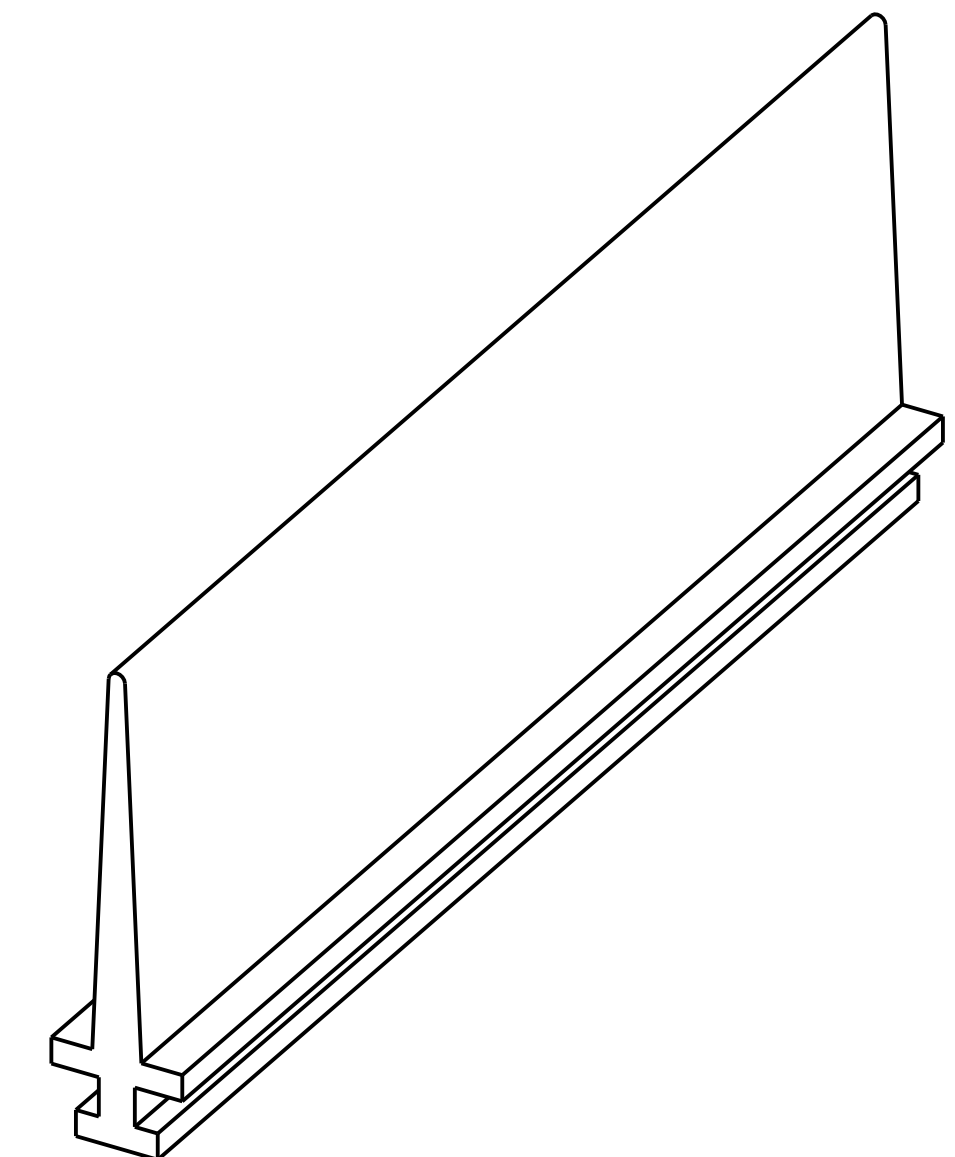
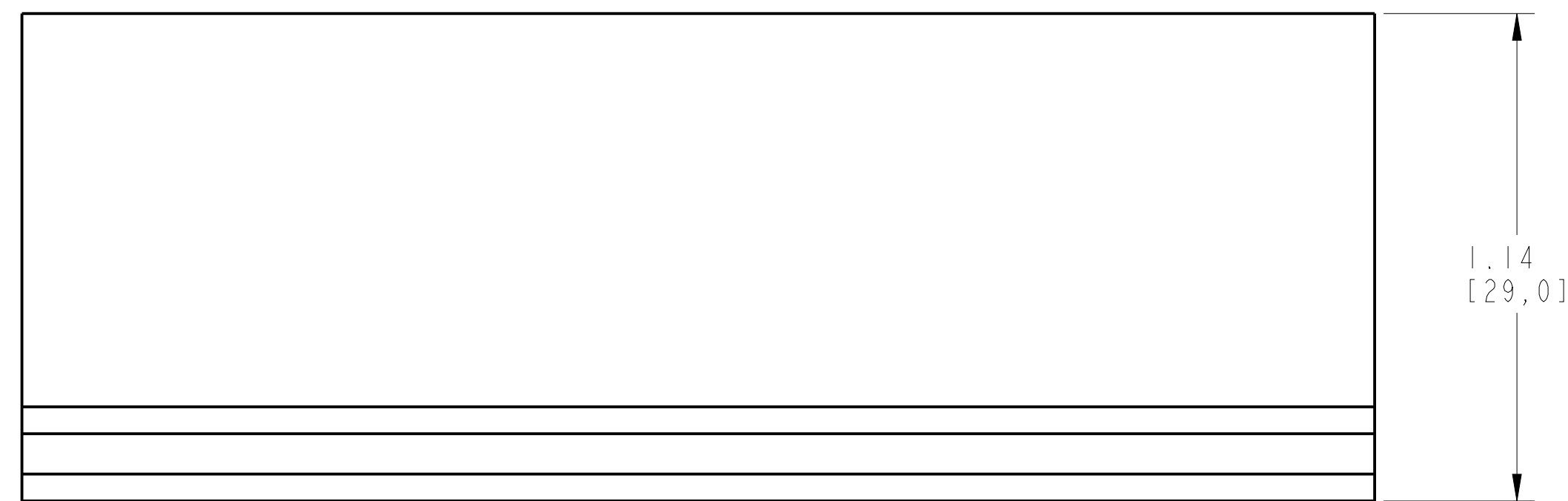
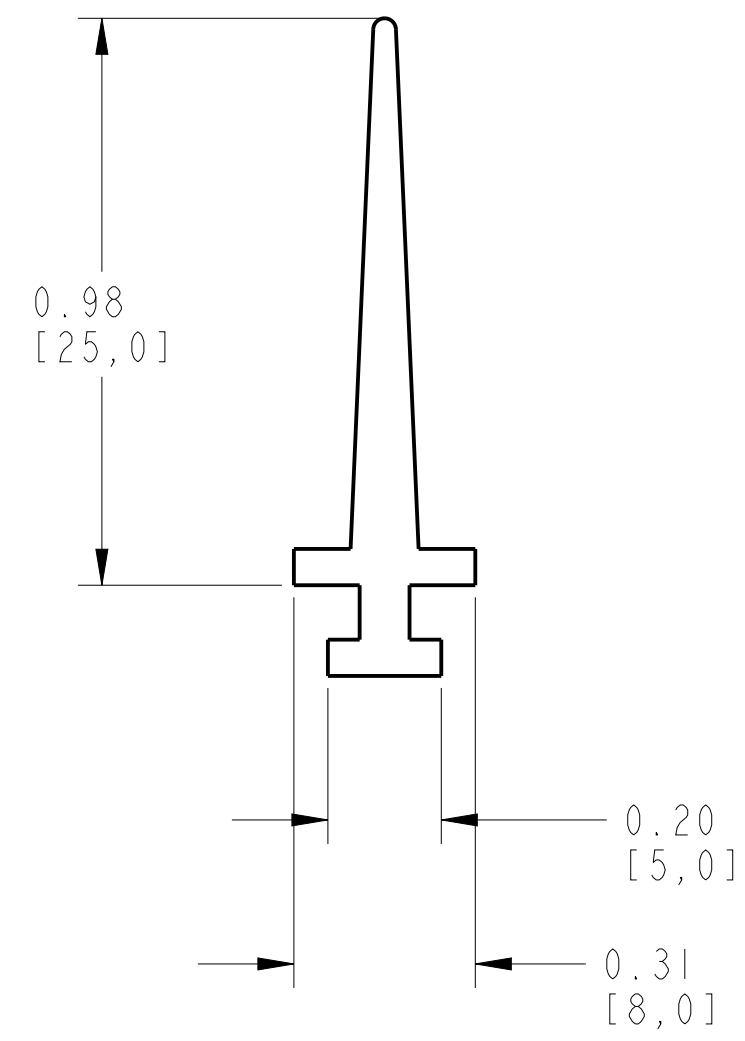


PHASE BARRIERS ASSEMBLED TO 140G-H-3-POLE
SCALE 1.2:1

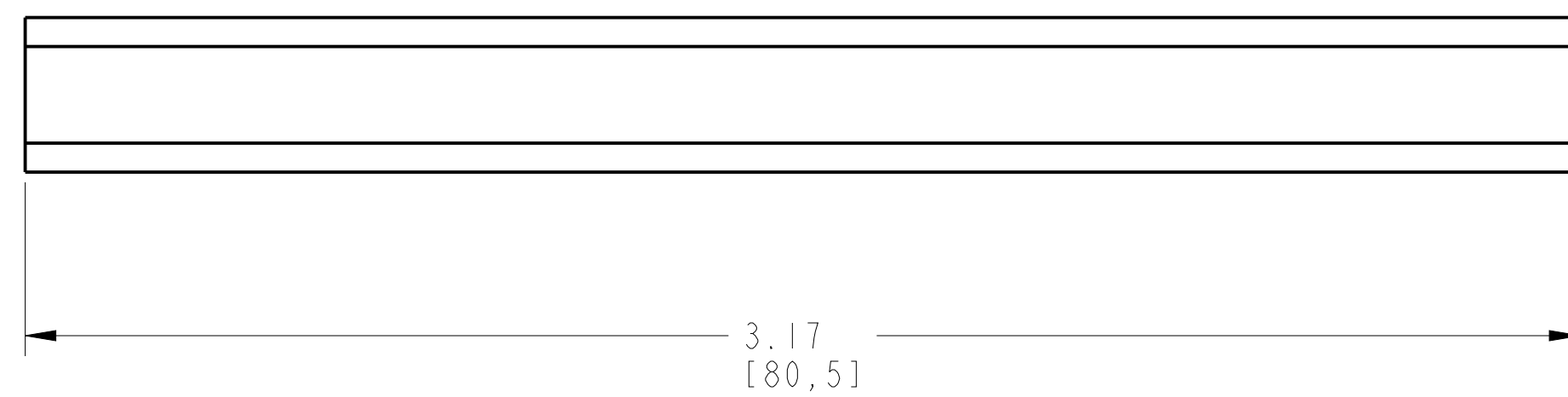
	<small>CONFIDENTIAL AND PROPRIETARY INFORMATION. THIS DOCUMENT CONTAINS CONFIDENTIAL AND PROPRIETARY INFORMATION OF ROCKWELL AUTOMATION, INC. AND MAY NOT BE USED, COPIED OR DISCLOSED TO OTHERS, EXCEPT WITH THE AUTHORIZED WRITTEN PERMISSION OF ROCKWELL AUTOMATION, INC.</small>	
	Sheet 1 Of 2	Ver
PB-25MM ASSEMBLED TO 140G-H3POLE CB	D	10000853695 00
Drawn by: TMBELLOW	Date: OCT-25-2013	

1 2 3 4 5 6 7 8

A
B
C
D
E
F
G
H



ISOMETRIC VIEW



ITEM 2 : PHASE BARRIERS 25MM
SCALE 3:1

		<small>CONFIDENTIAL AND PROPRIETARY INFORMATION THIS DOCUMENT CONTAINS CONFIDENTIAL AND PROPRIETARY INFORMATION OF ROCKWELL AUTOMATION, INC. AND MAY NOT BE USED, COPIED OR DISCLOSED TO OTHERS, EXCEPT WITH THE AUTHORIZED WRITTEN PERMISSION OF ROCKWELL AUTOMATION, INC.</small>	
		Sheet 2 Of 2	
PB-25MM ASSEMBLED TO 140G-H3POLE CB		Size D	Ver 00
Drawn by: TMBELLOW	Date: OCT-25-2013	10000853695	