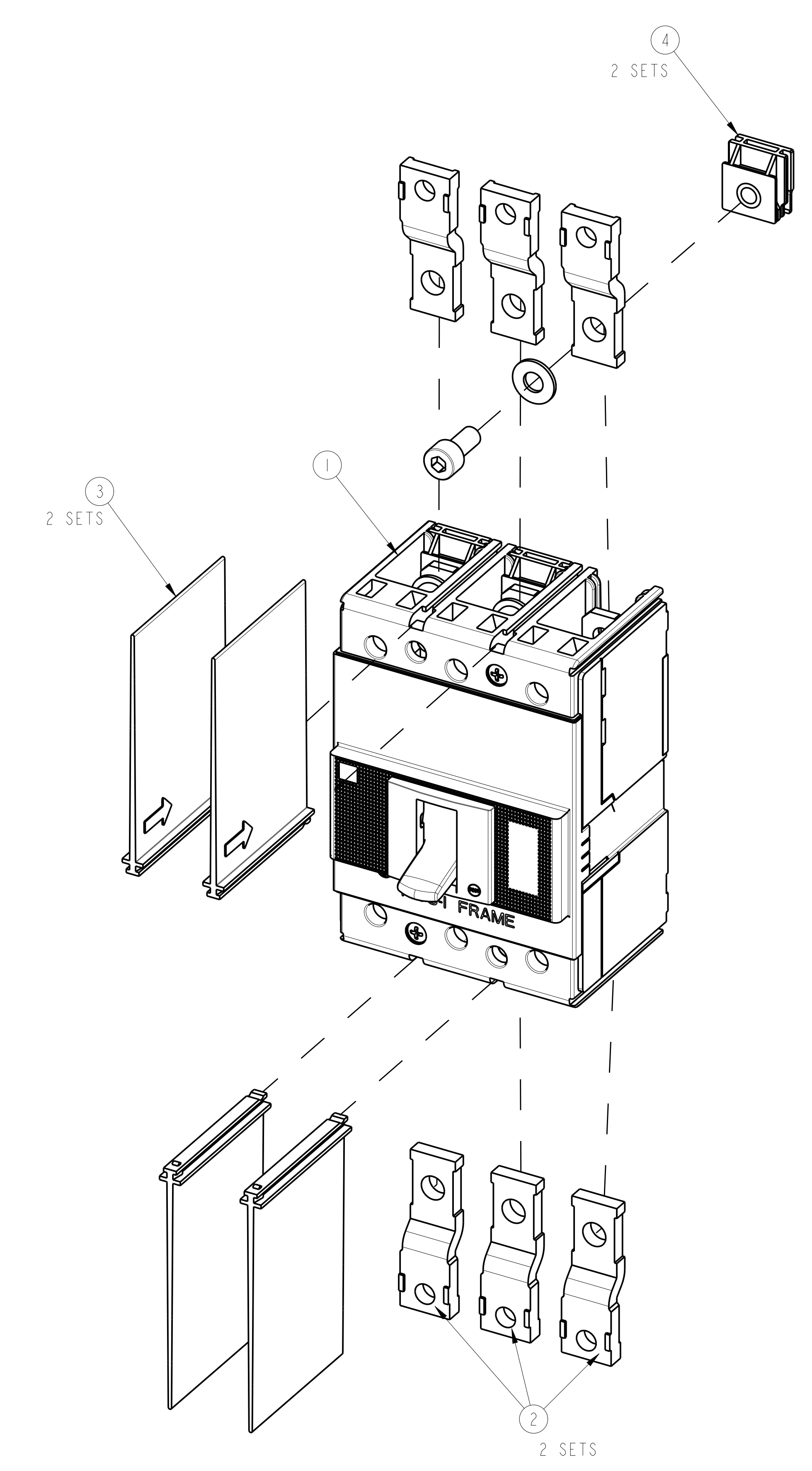
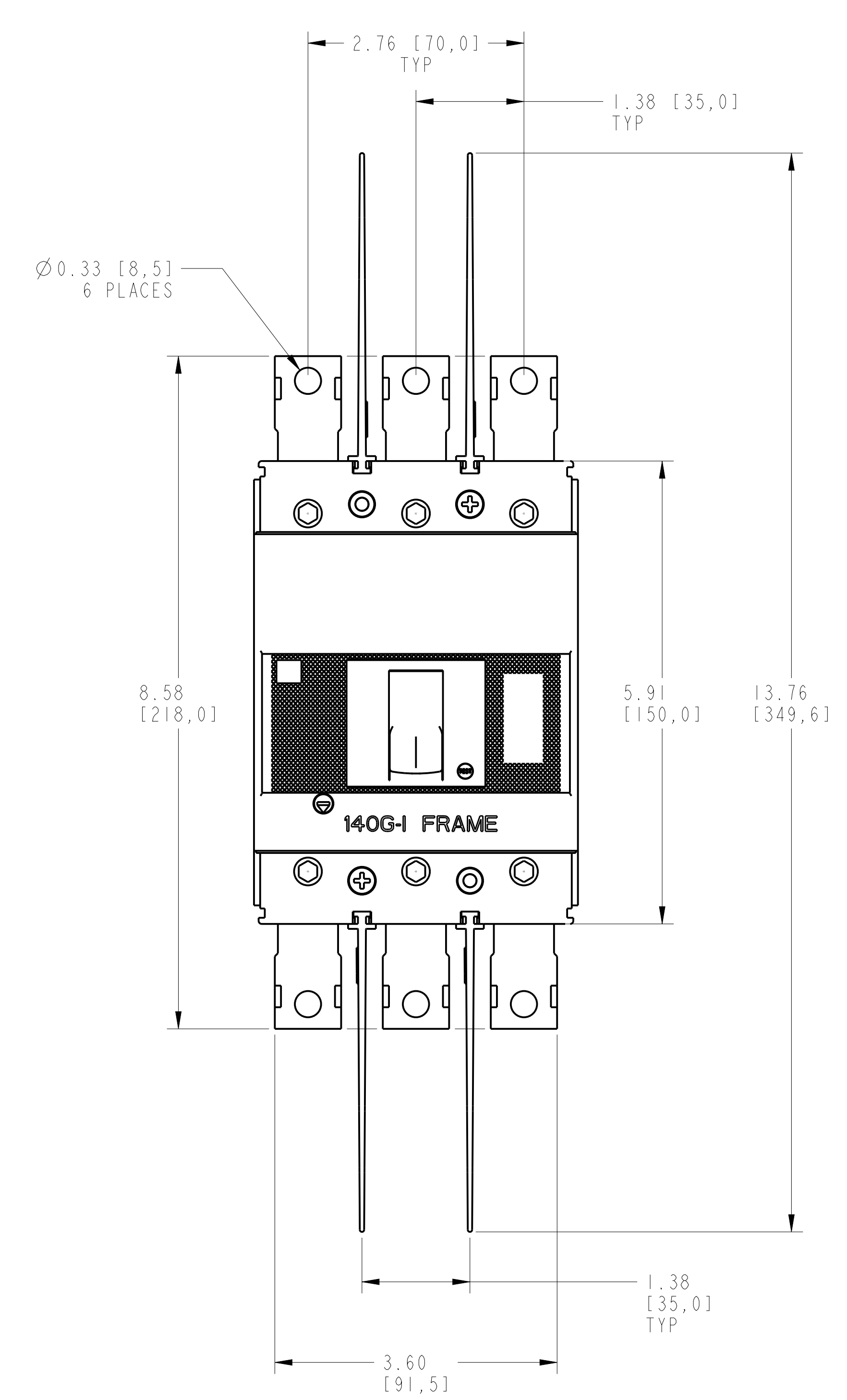
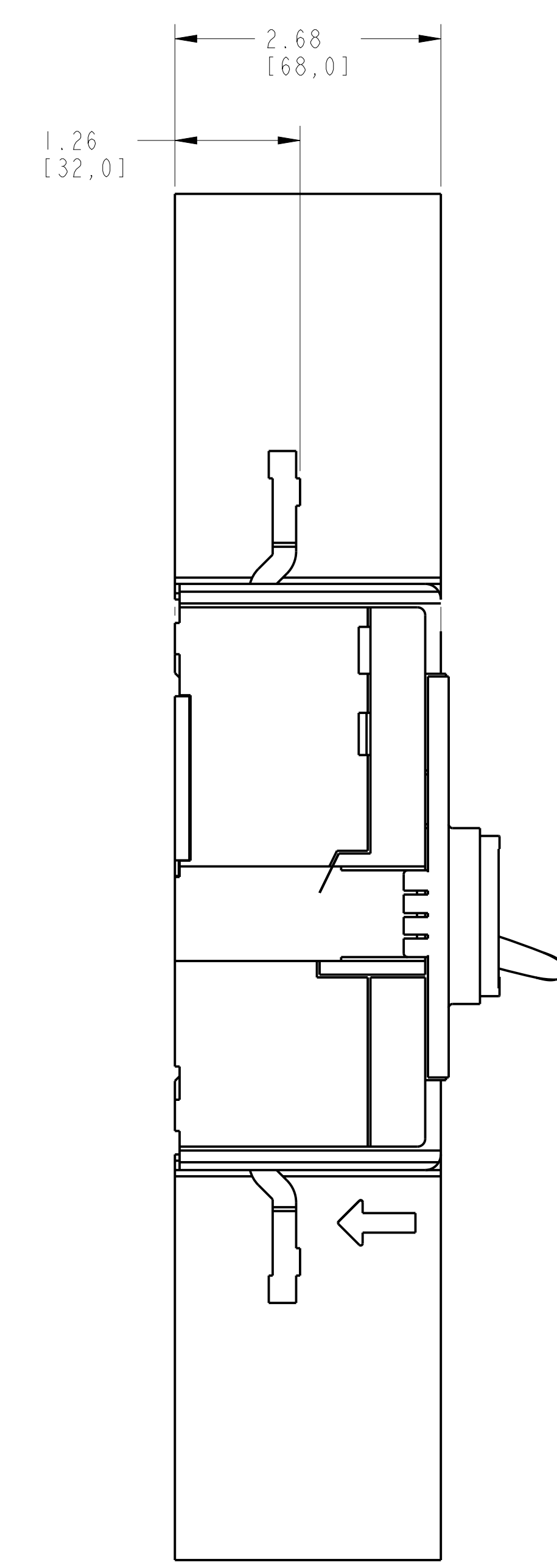
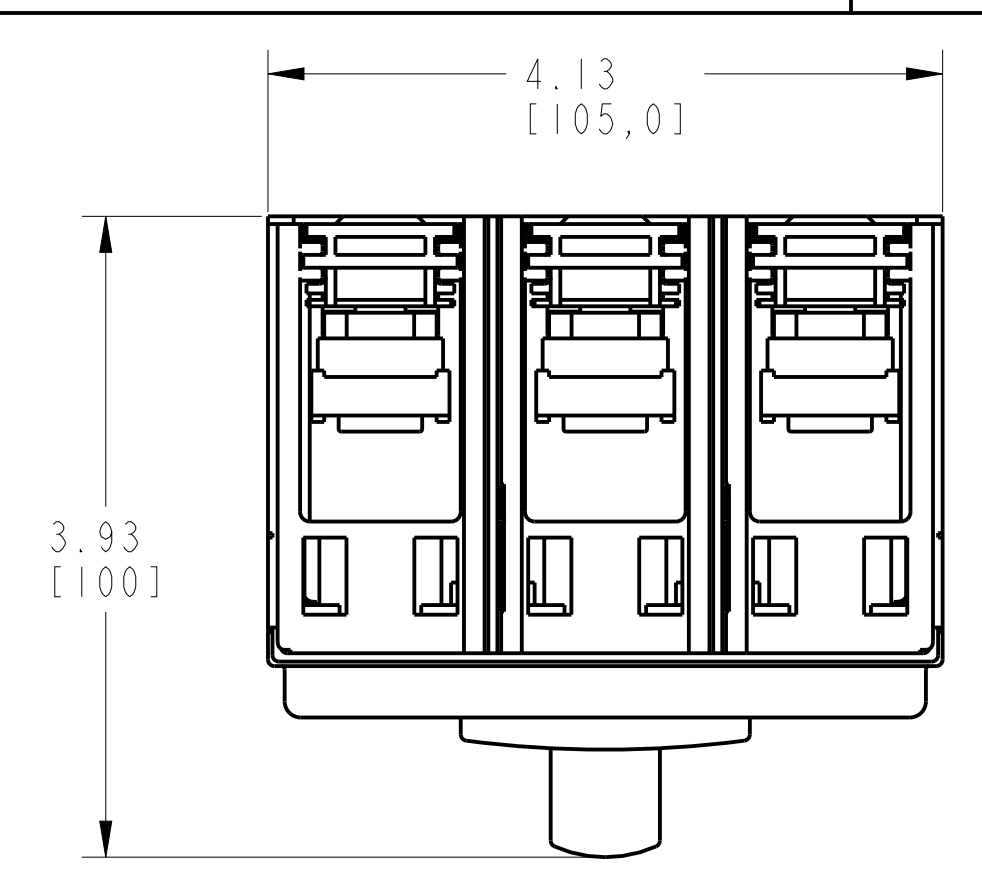


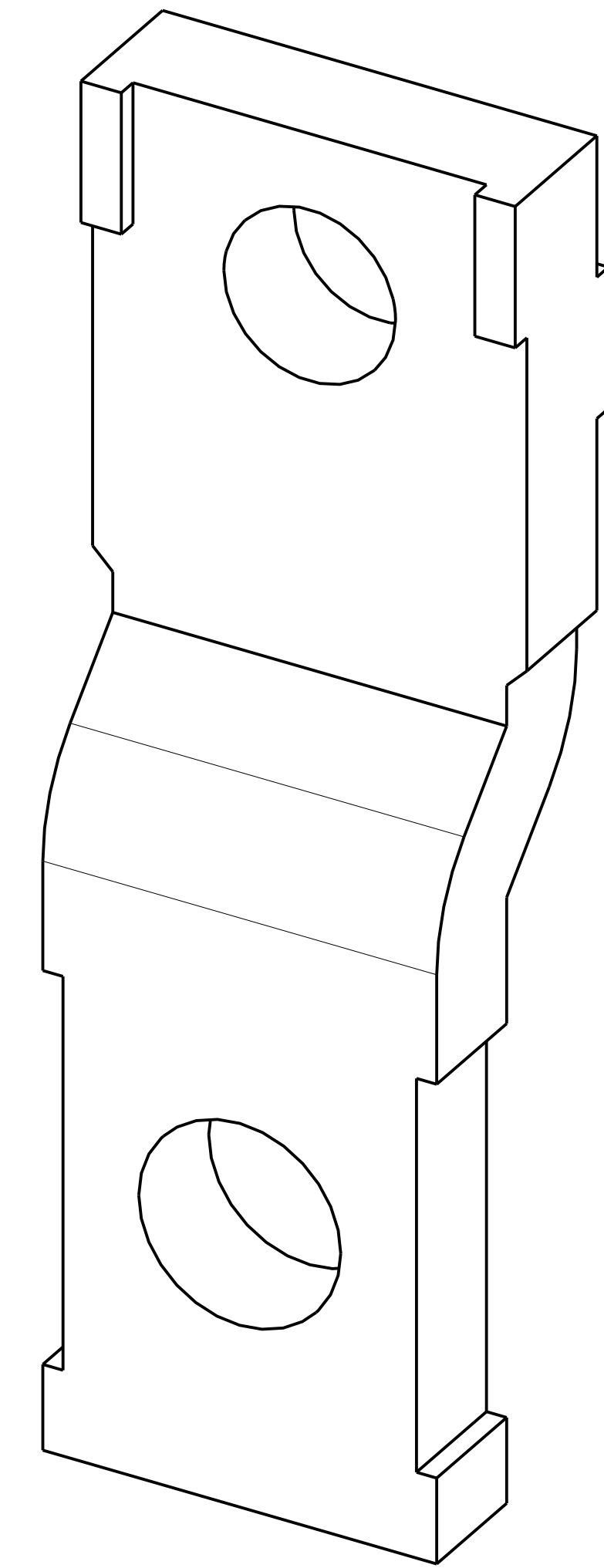
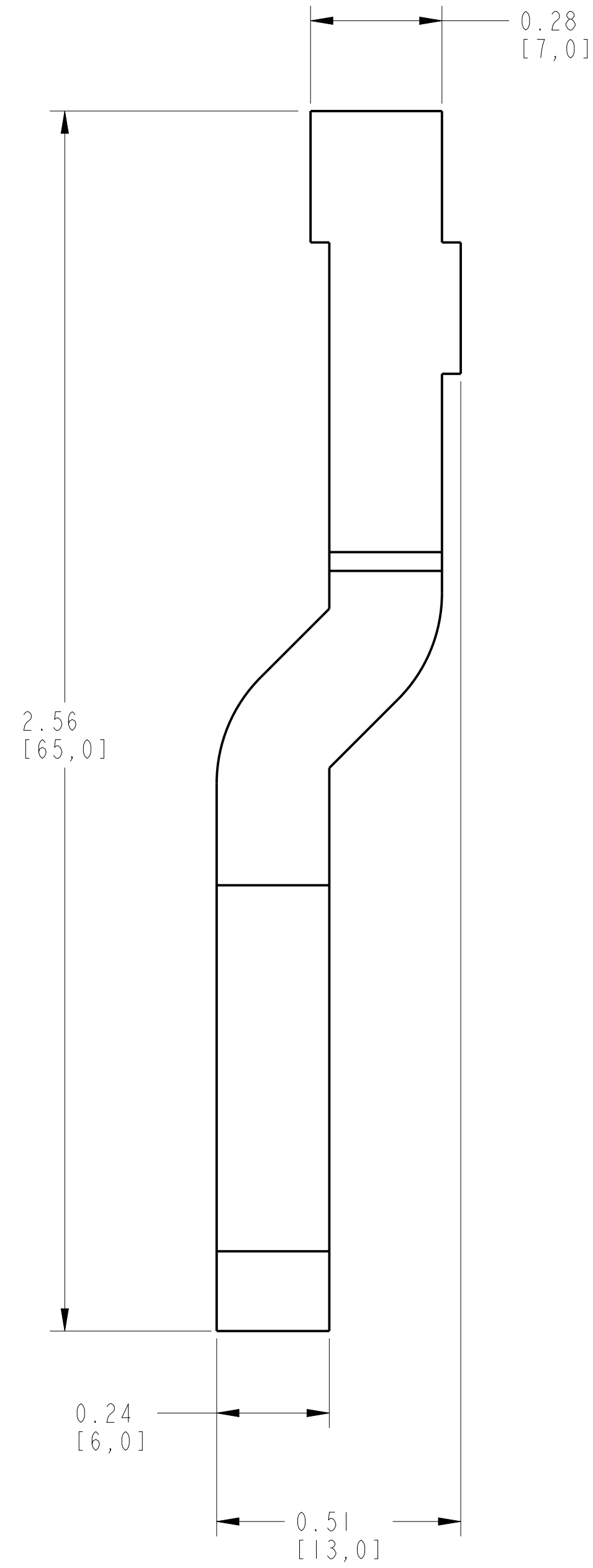
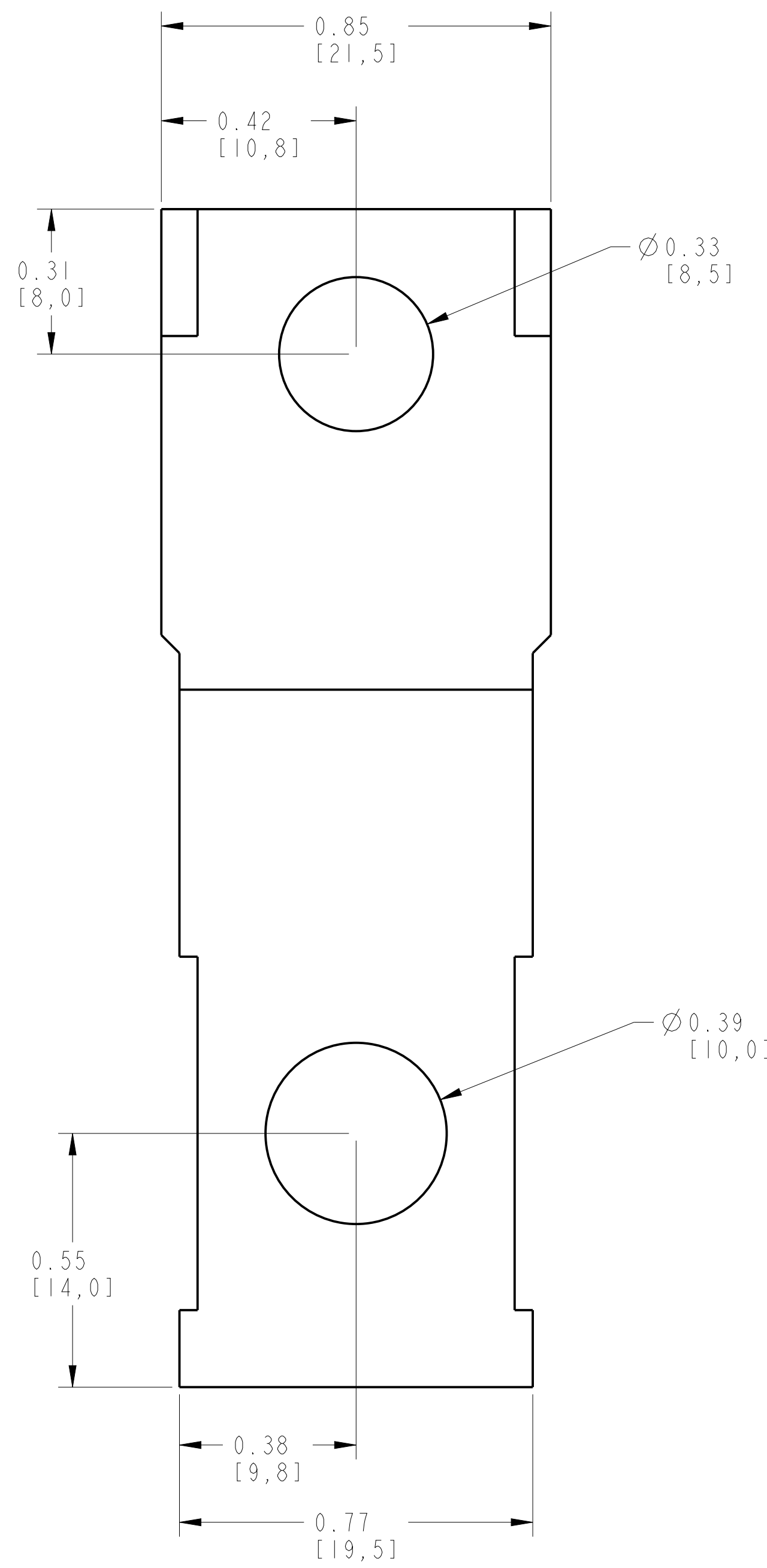
FRONT EXTENDED TERMINAL ASSEMBLY			
ITEM	DESCRIPTION	QTY	AB CAT NUMBER
1	MOLDED CASE CIRCUIT BREAKER	1	140G-I-3P CB
2	FRONT EXTENDED TERMINAL (3 PCS)	2 SETS	140G-I-EXT3
3	PHASE BARRIERS LOW 3 POLE (2 PCS)	2 SETS	140G-G-PB3L
4	ENDCAP ASSEMBLY (3 PCS)	2 SETS	-



FRONT EXTENDED TERMINAL ASSEMBLED TO 140G-I-3-POLE  
SCALE 0.85:1

1 2 3 4 5 6 7 8

A  
B  
C  
D  
E  
F  
G  
H



ISOMETRIC VIEW

ITEM 2 : FRONT EXTENDED TERMINAL  
SCALE 4:1

<b>Rockwell Automation</b>		CONFIDENTIAL AND PROPRIETARY INFORMATION. THIS DOCUMENT CONTAINS CONFIDENTIAL AND PROPRIETARY INFORMATION OF ROCKWELL AUTOMATION, INC. AND MAY NOT BE USED, COPIED OR DISCLOSED TO OTHERS, EXCEPT WITH THE AUTHORIZED WRITTEN PERMISSION OF ROCKWELL AUTOMATION, INC.	
FRNT EXTND TRMNL ASSEMBLED TO 140G-I-3P CB		Sheet 2 Of 2	Ver
Drawn by: UMUNUSW	Date: 11-18-13	D	10000888446 00