

1

2

3

4

5

6

7

8

MULTIPLE CABLE ASSEMBLY

ITEM	DESCRIPTION	QTY	AB CAT NUMBER
1	MOLDED CASE CIRCUIT BREAKER	1	140G-I-4P CB
2	MULTIPLE CABLE (4 PCS)	2 SETS	140G-I-MTL64
3	TERMINAL COVER HIGH	2	140G-I-TC4H

A

B

C

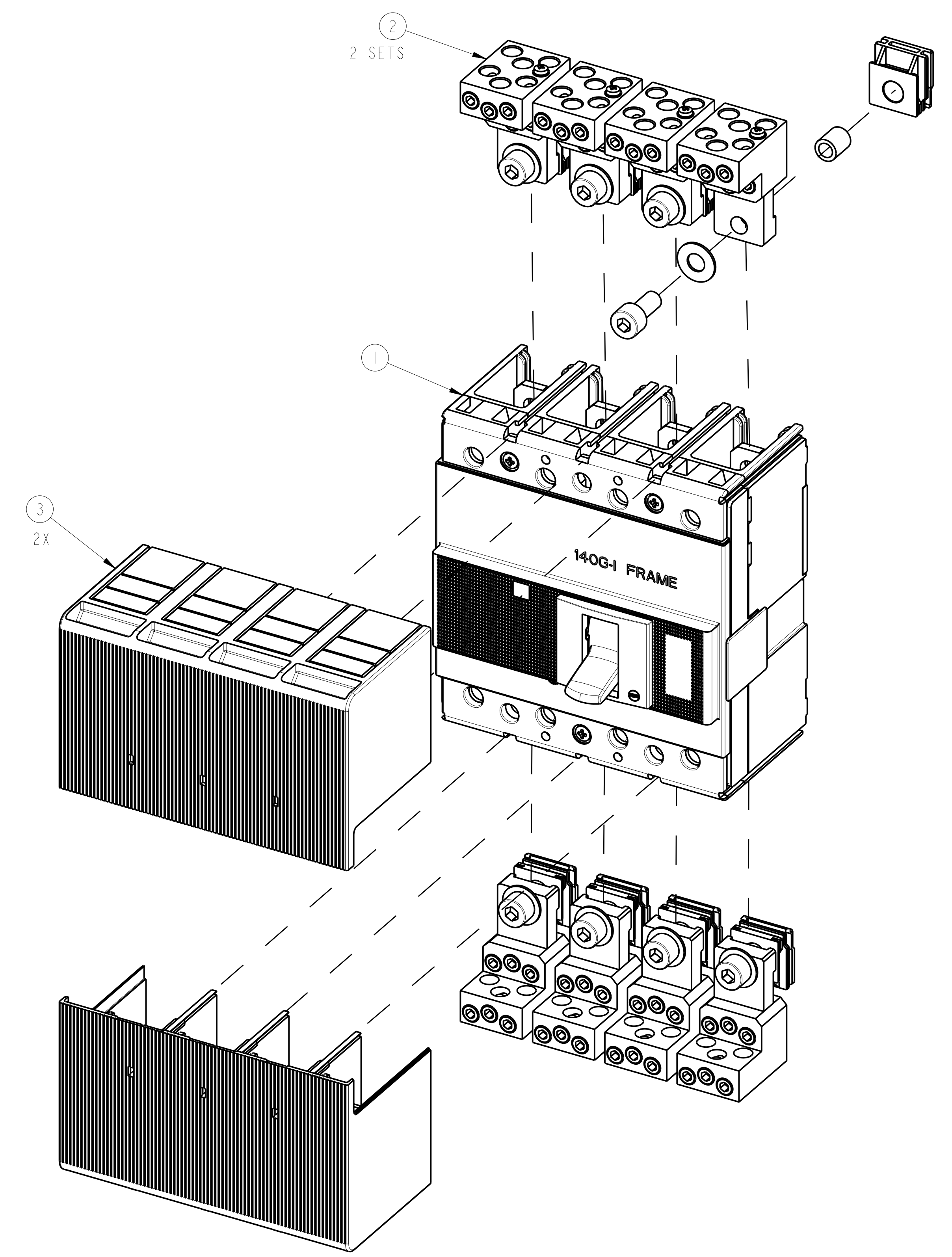
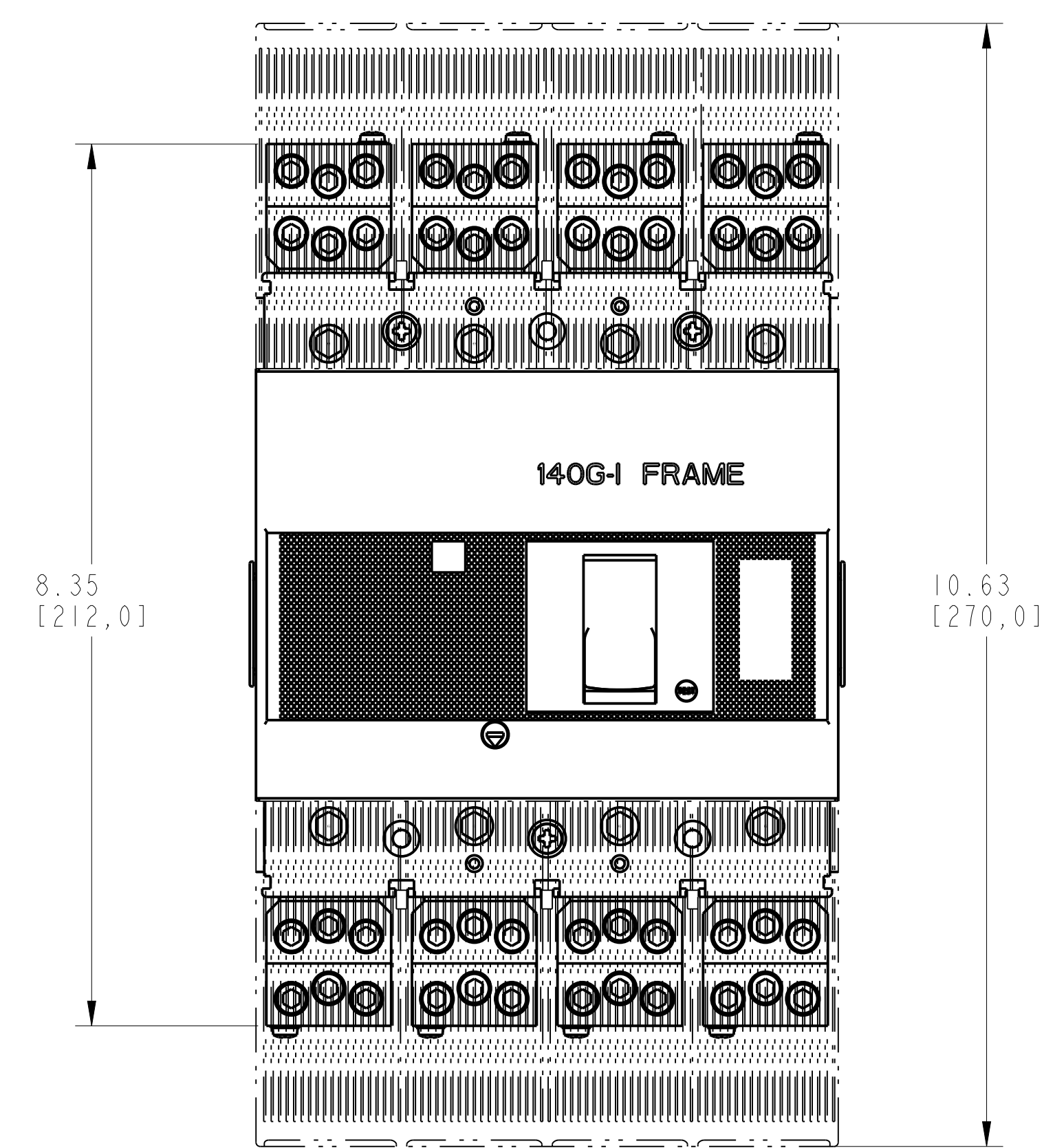
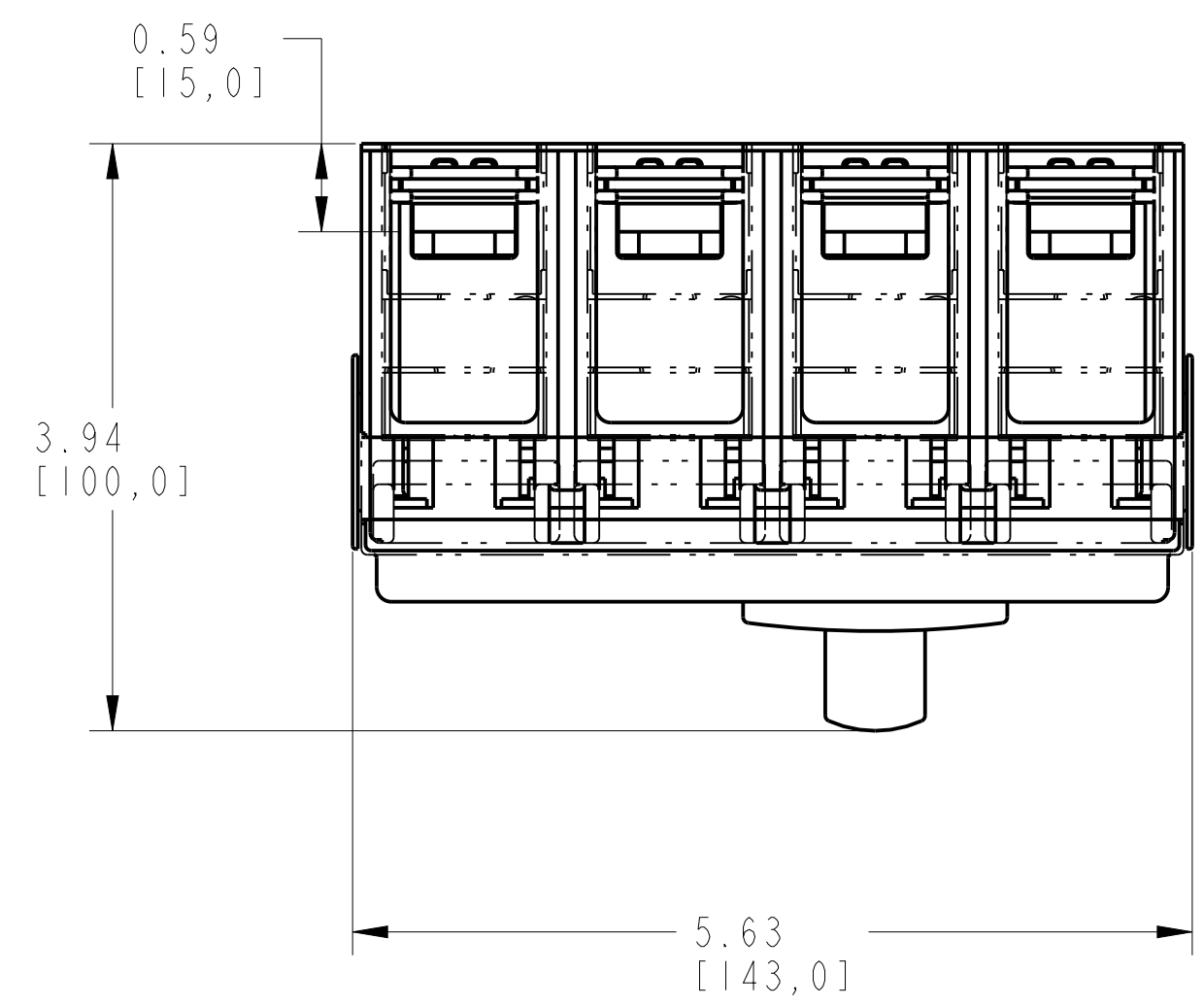
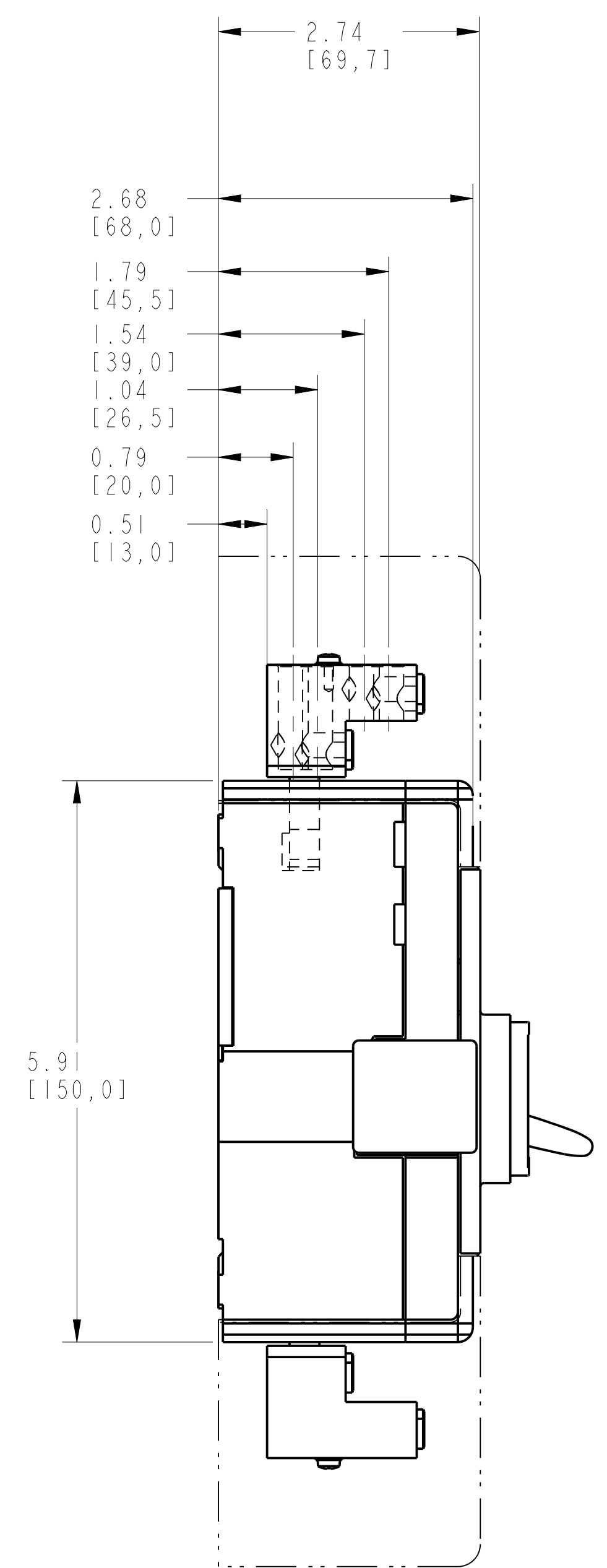
D

E

F

G

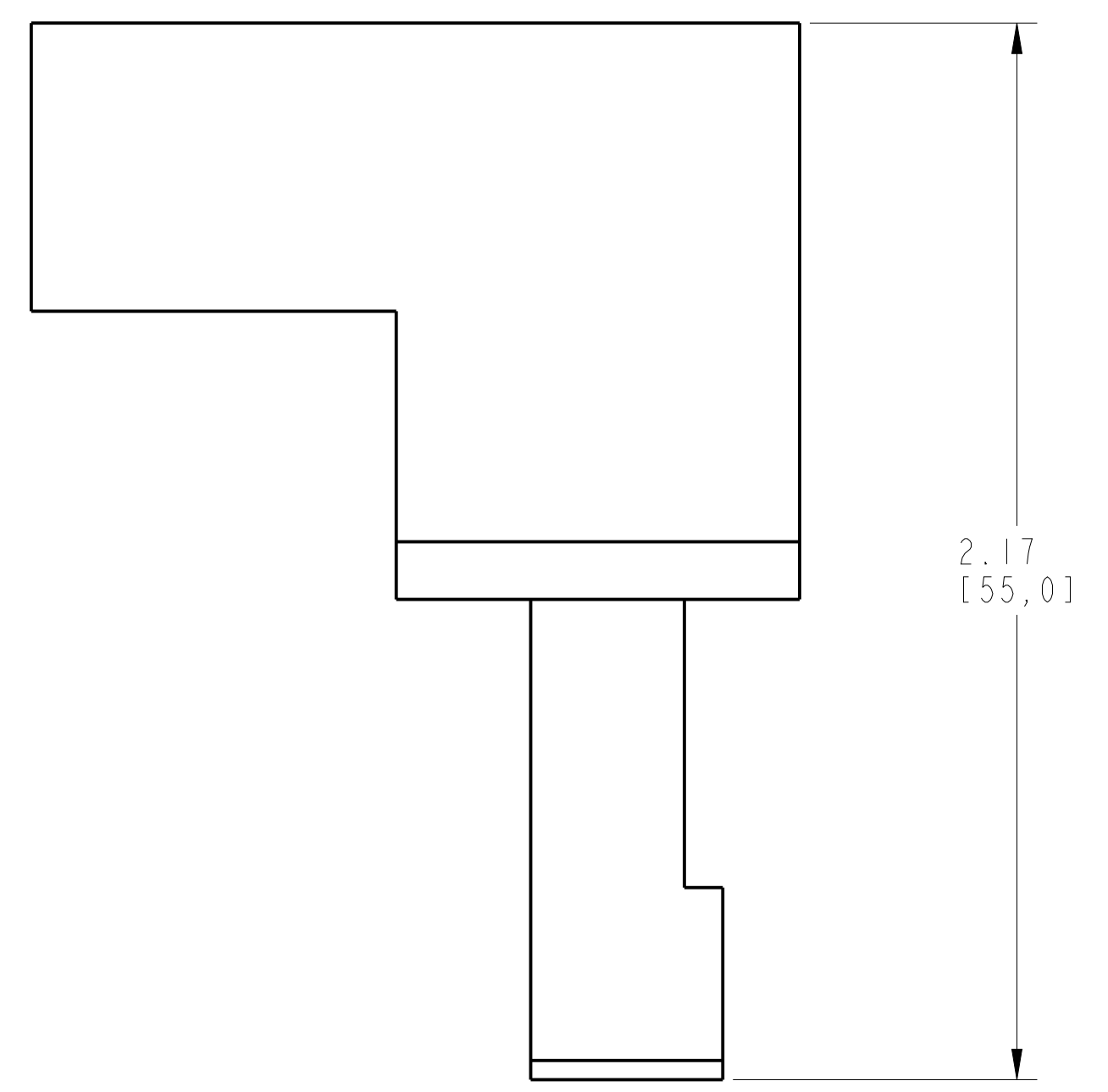
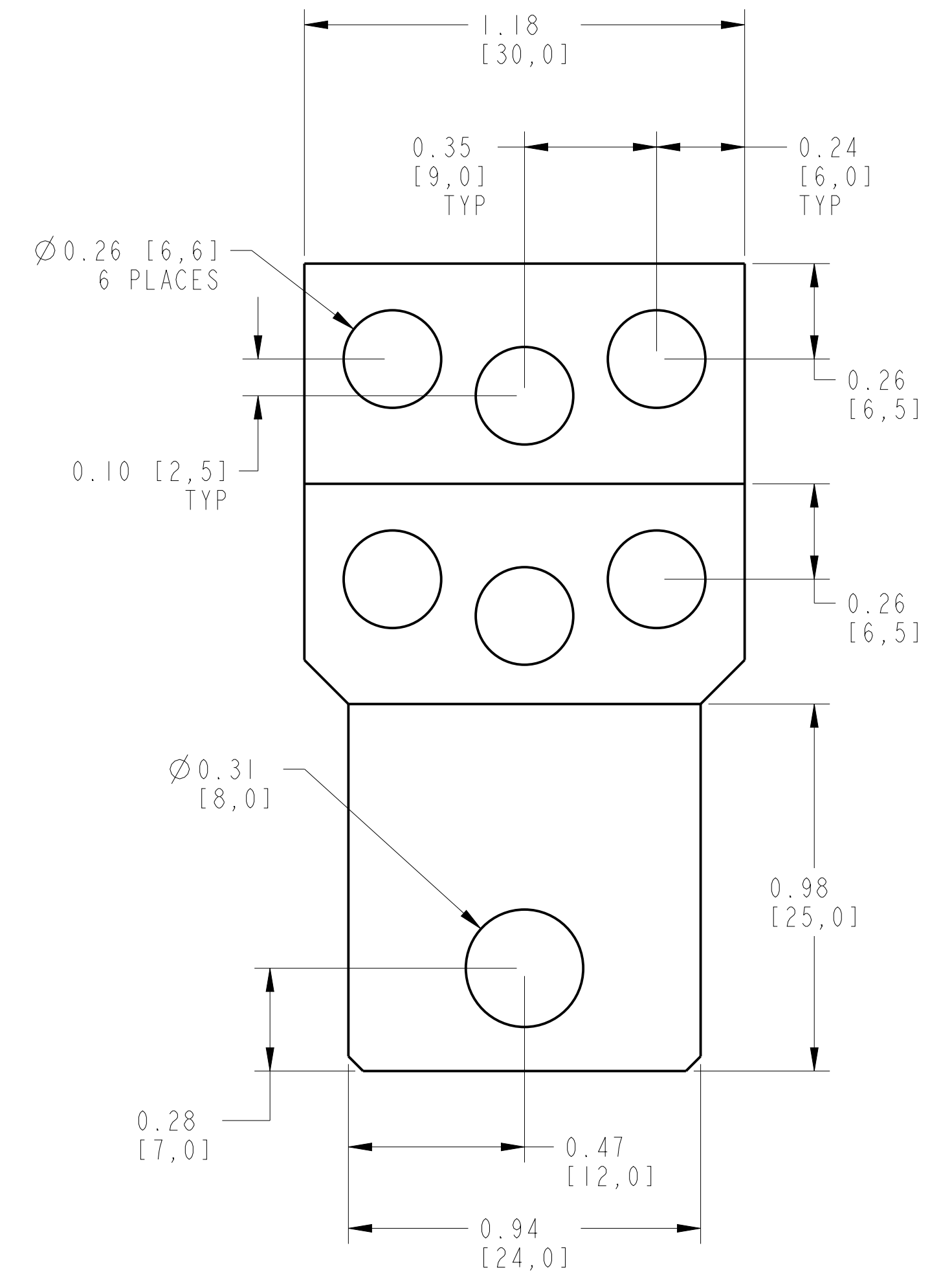
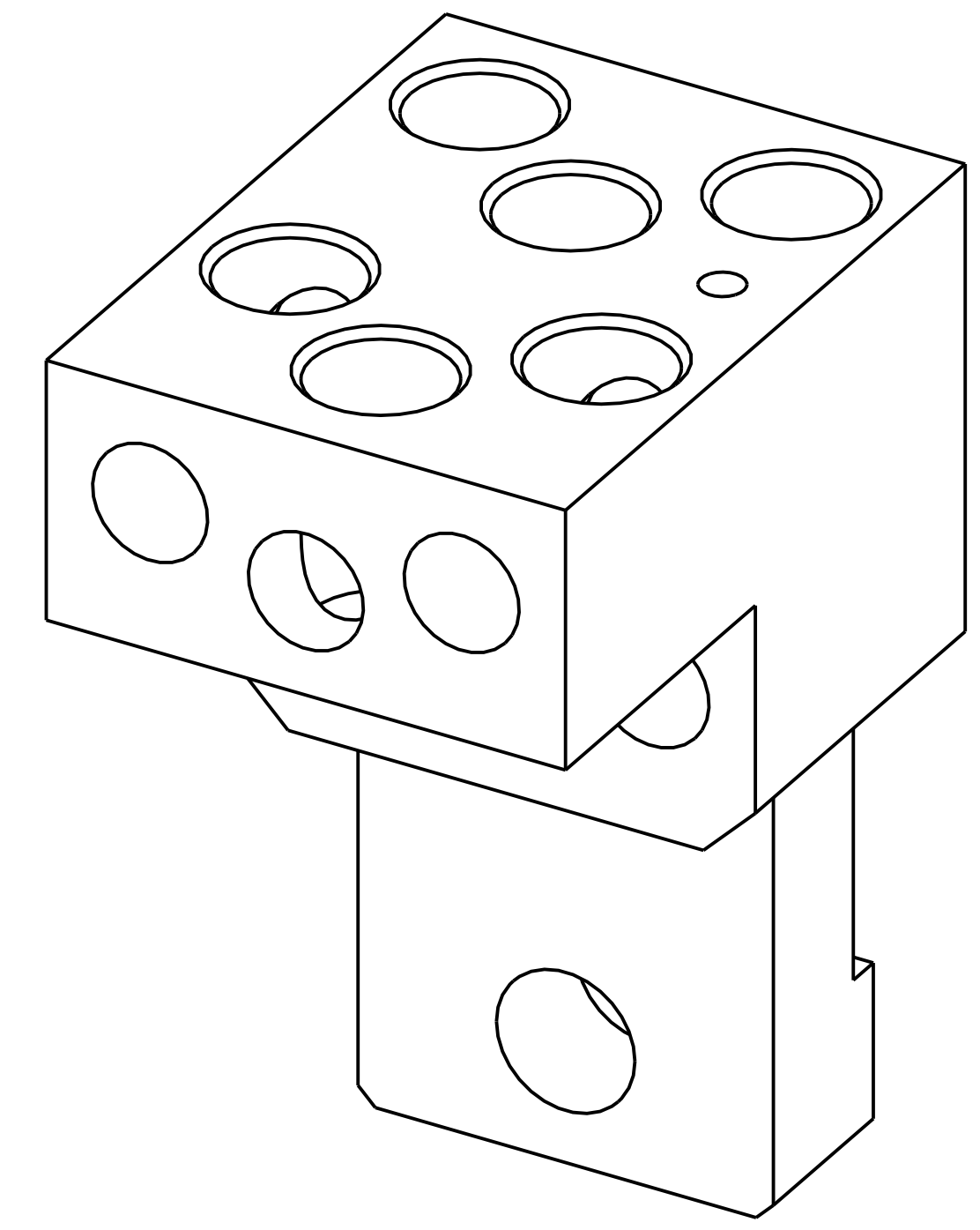
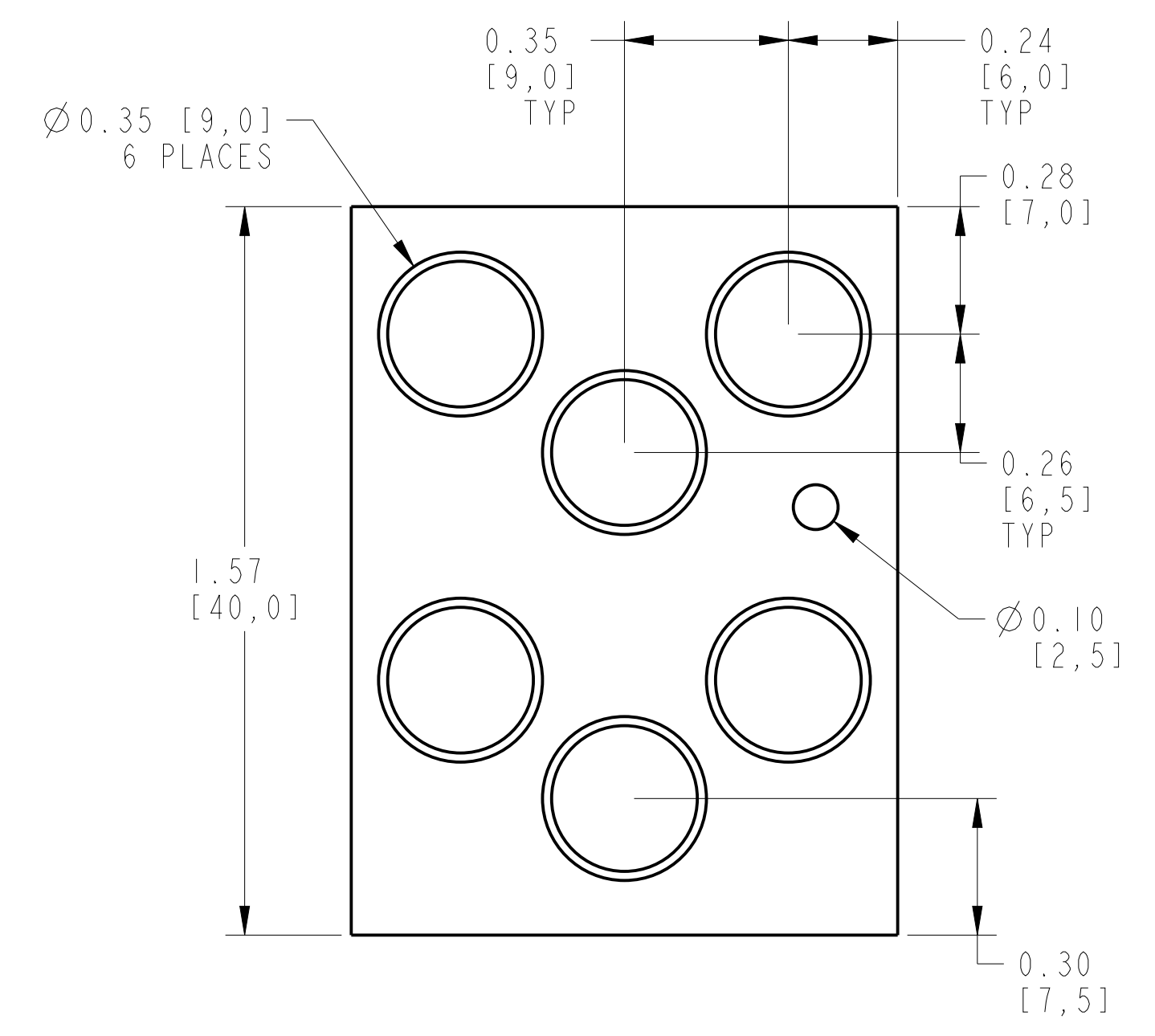
H



MULTIPLE CABLE ASSEMBLED TO 140G-I-4-POLE
SCALE 0.8:1

1 2 3 4 5 6 7 8

A
B
C
D
E
F
G
H



ITEM 2 : MULTIPLE CABLE LUG
SCALE 3:1

		<small>CONFIDENTIAL AND PROPRIETARY INFORMATION. THIS DOCUMENT CONTAINS CONFIDENTIAL AND PROPRIETARY INFORMATION OF ROCKWELL AUTOMATION, INC. AND MAY NOT BE USED, COPIED OR DISCLOSED TO OTHERS, EXCEPT WITH THE AUTHORIZED WRITTEN PERMISSION OF ROCKWELL AUTOMATION, INC.</small>	
		Sheet 2 Of 2	
MCCU LUGS ASSEMBLED TO 140-I-4P CB		Size D	Ver 00
Drawn by: UMUNUSW	Date: 10-29-13	10000851996	