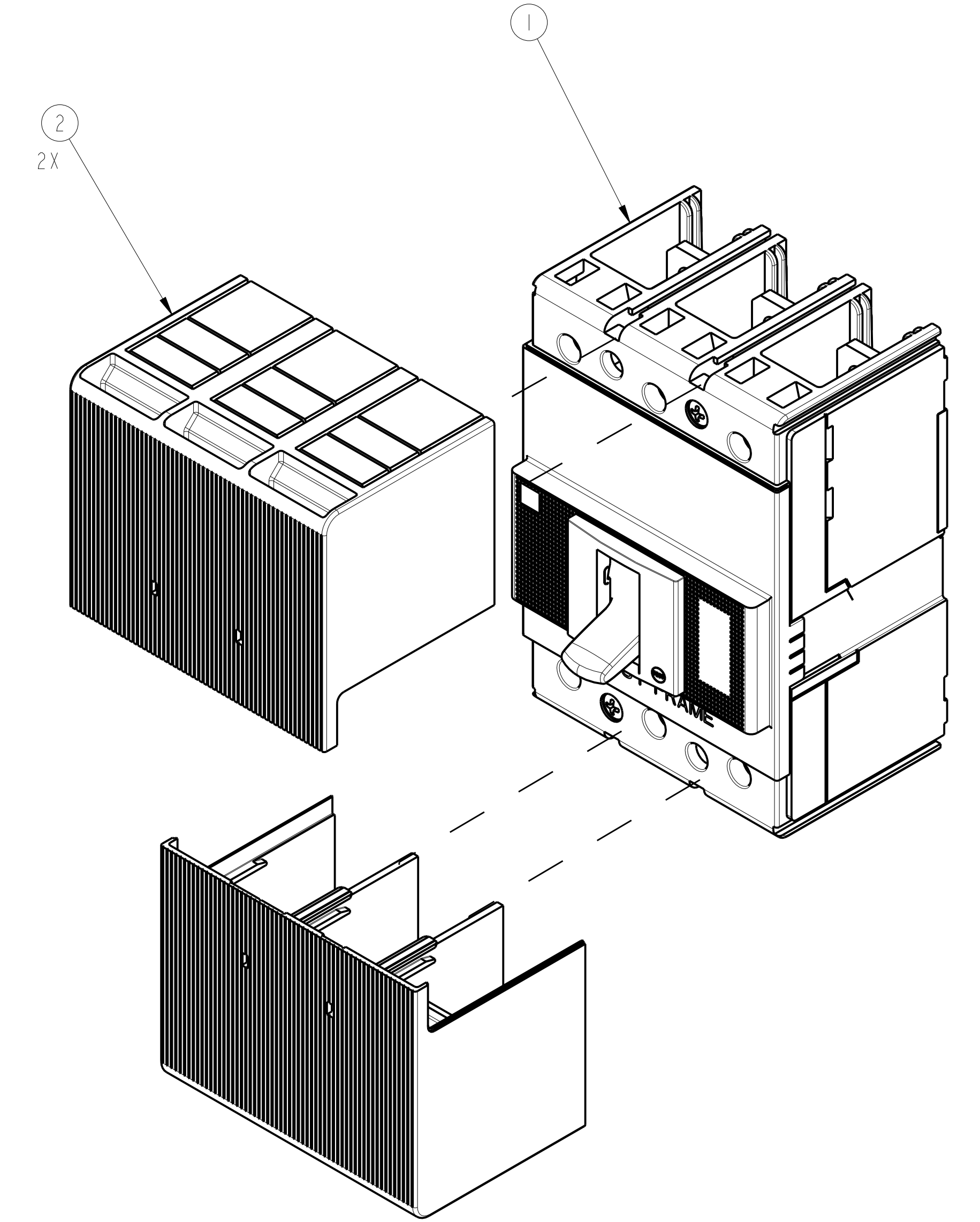
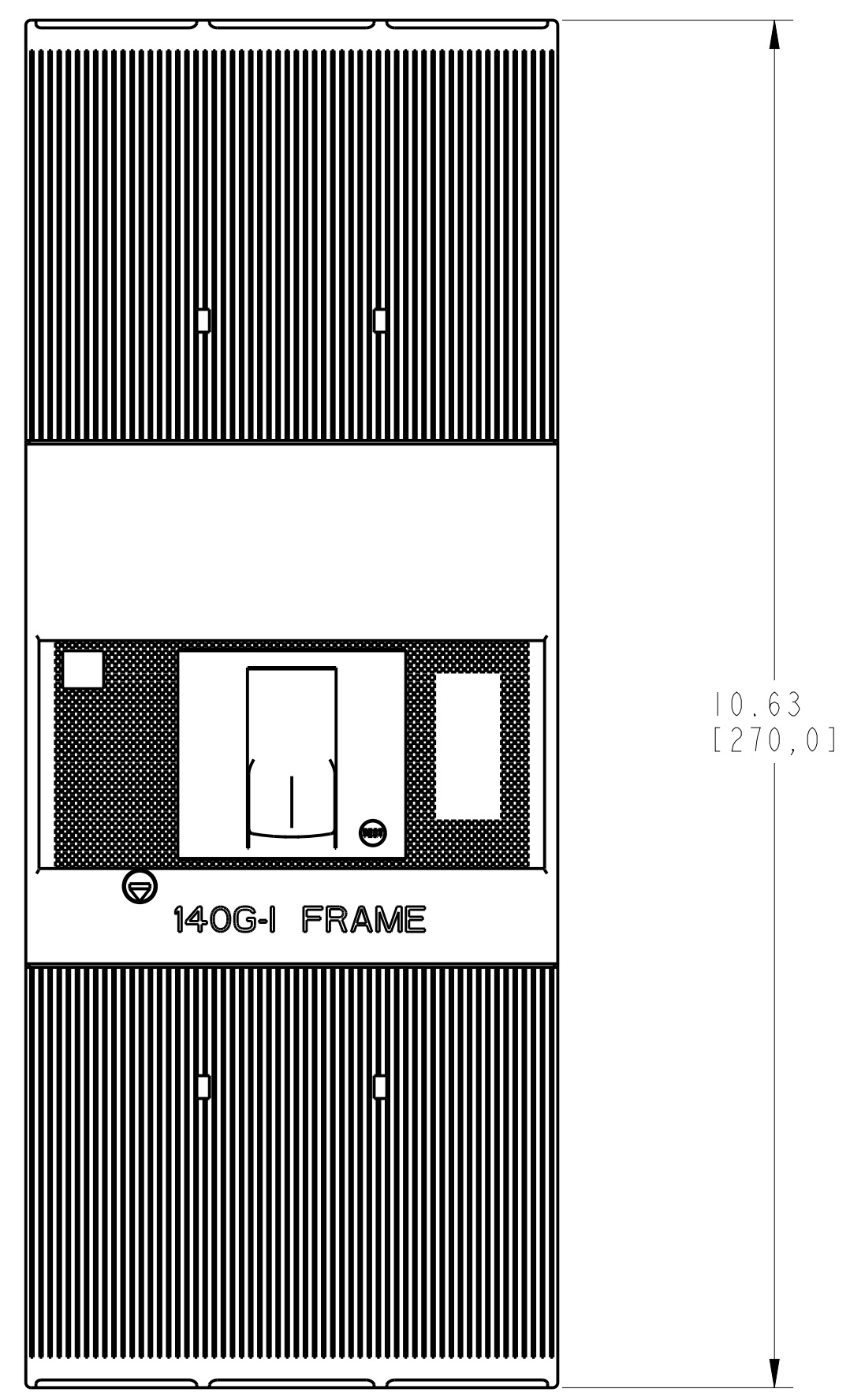
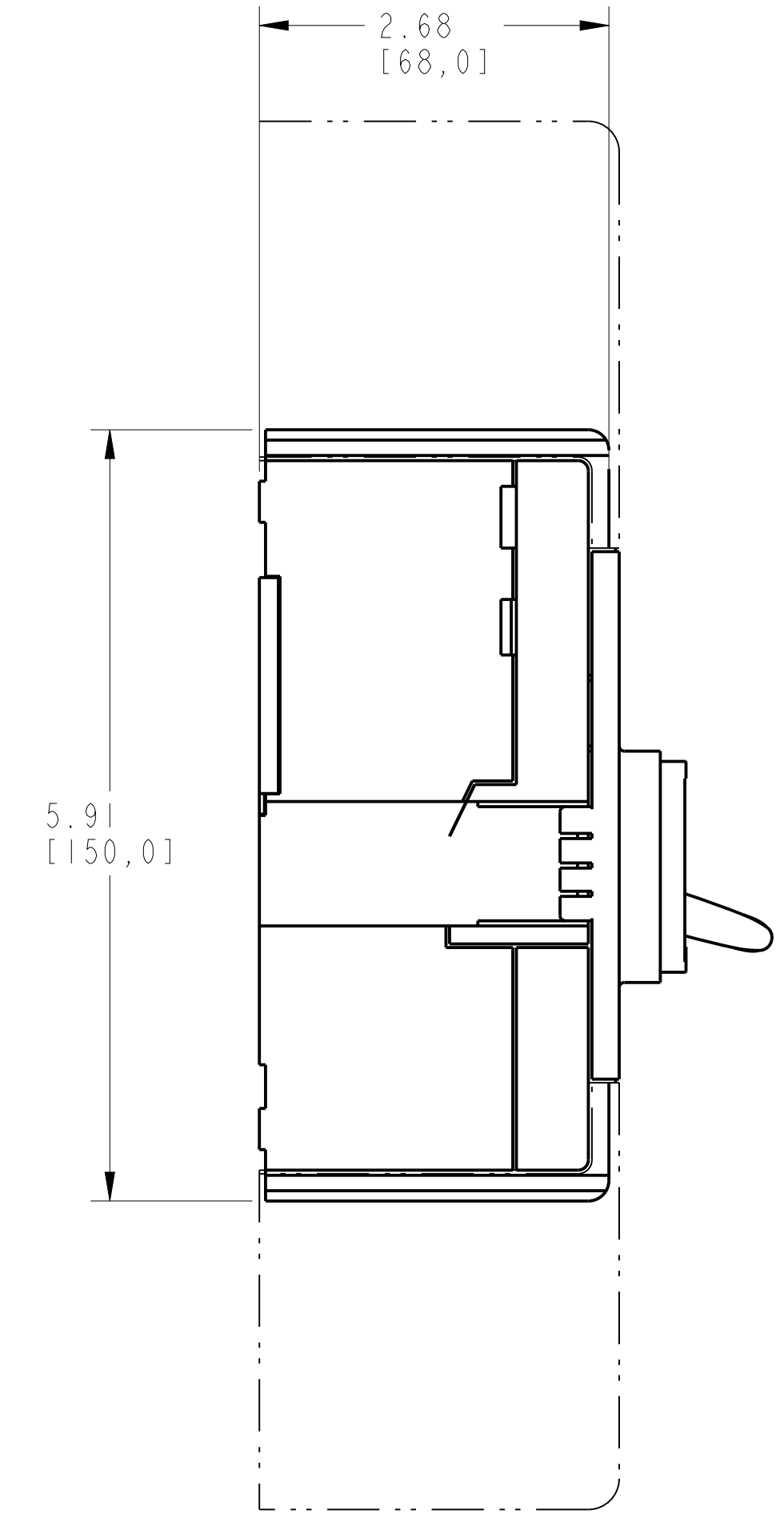
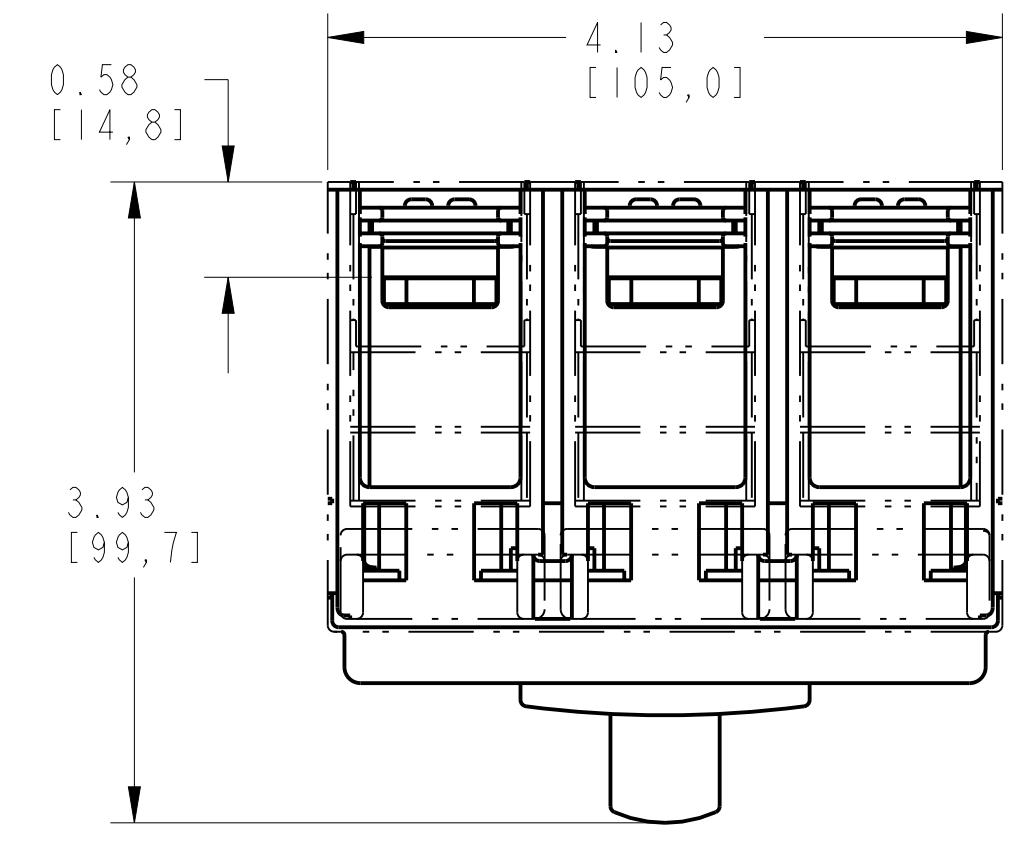


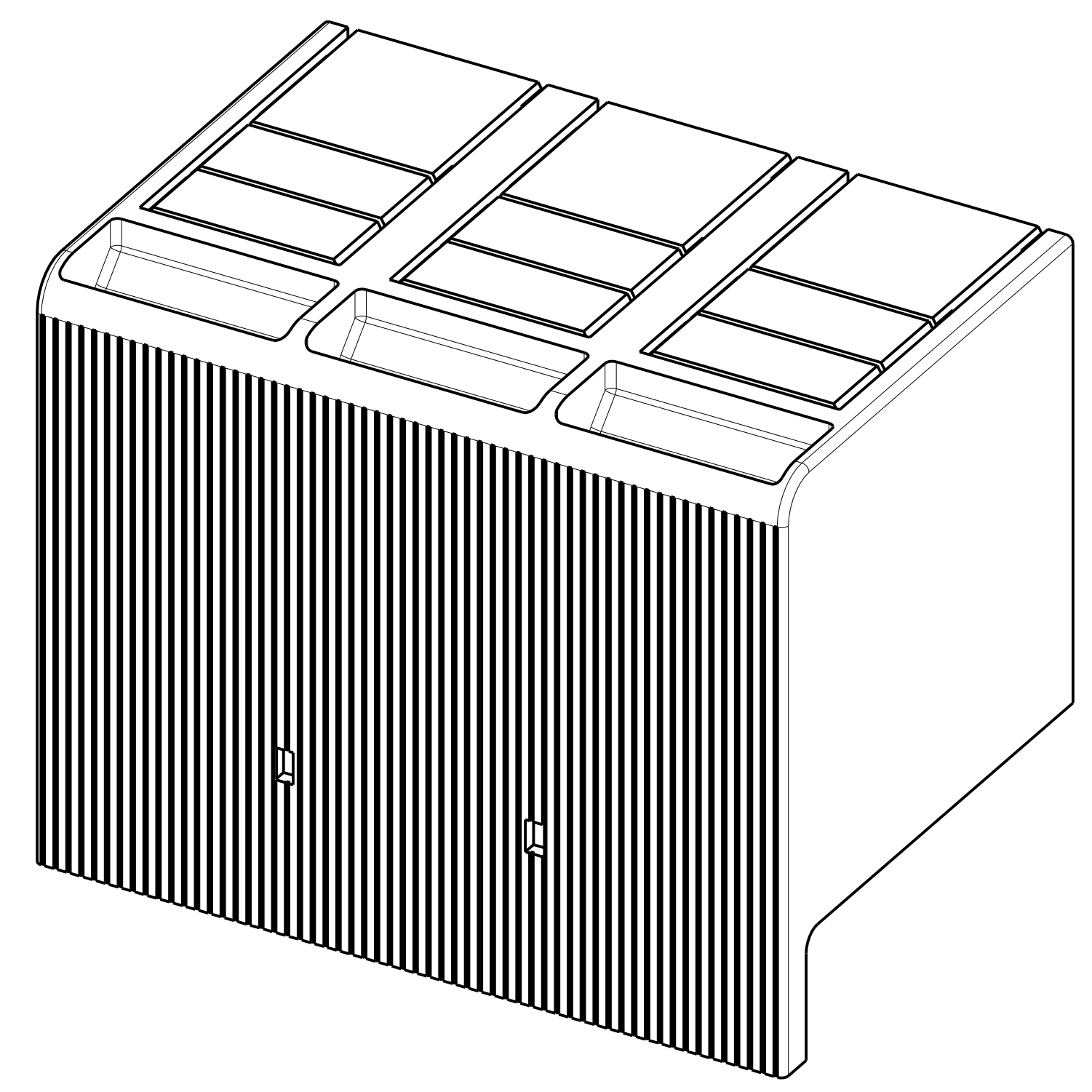
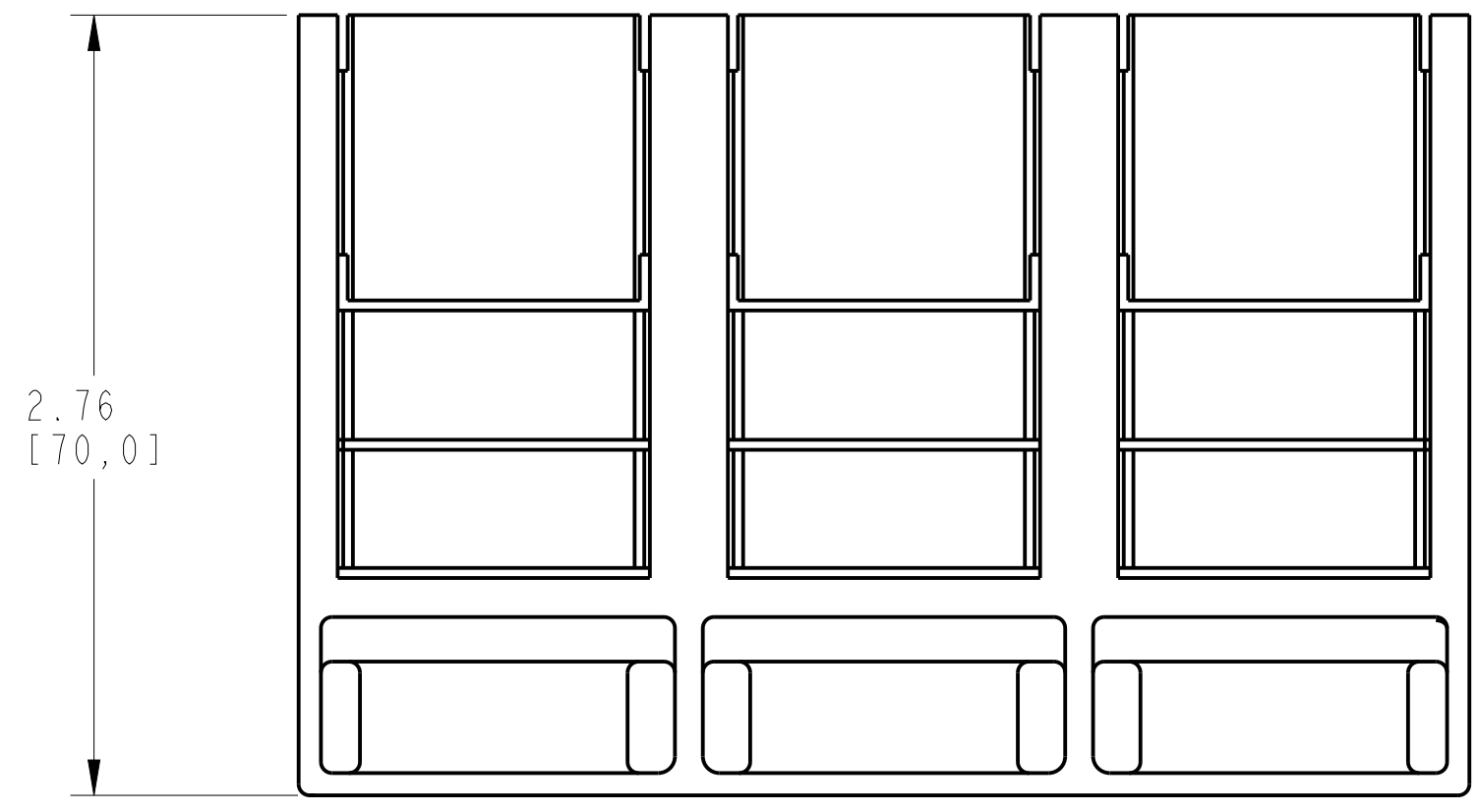
TERMINAL COVER HIGH ASSEMBLY			
ITEM	DESCRIPTION	QTY	AB CAT NUMBER
1	MOLDED CASE CIRCUIT BREAKER	1	140G-1-3P CB
2	TERMINAL COVER HIGH	2	140G-1-TC3H



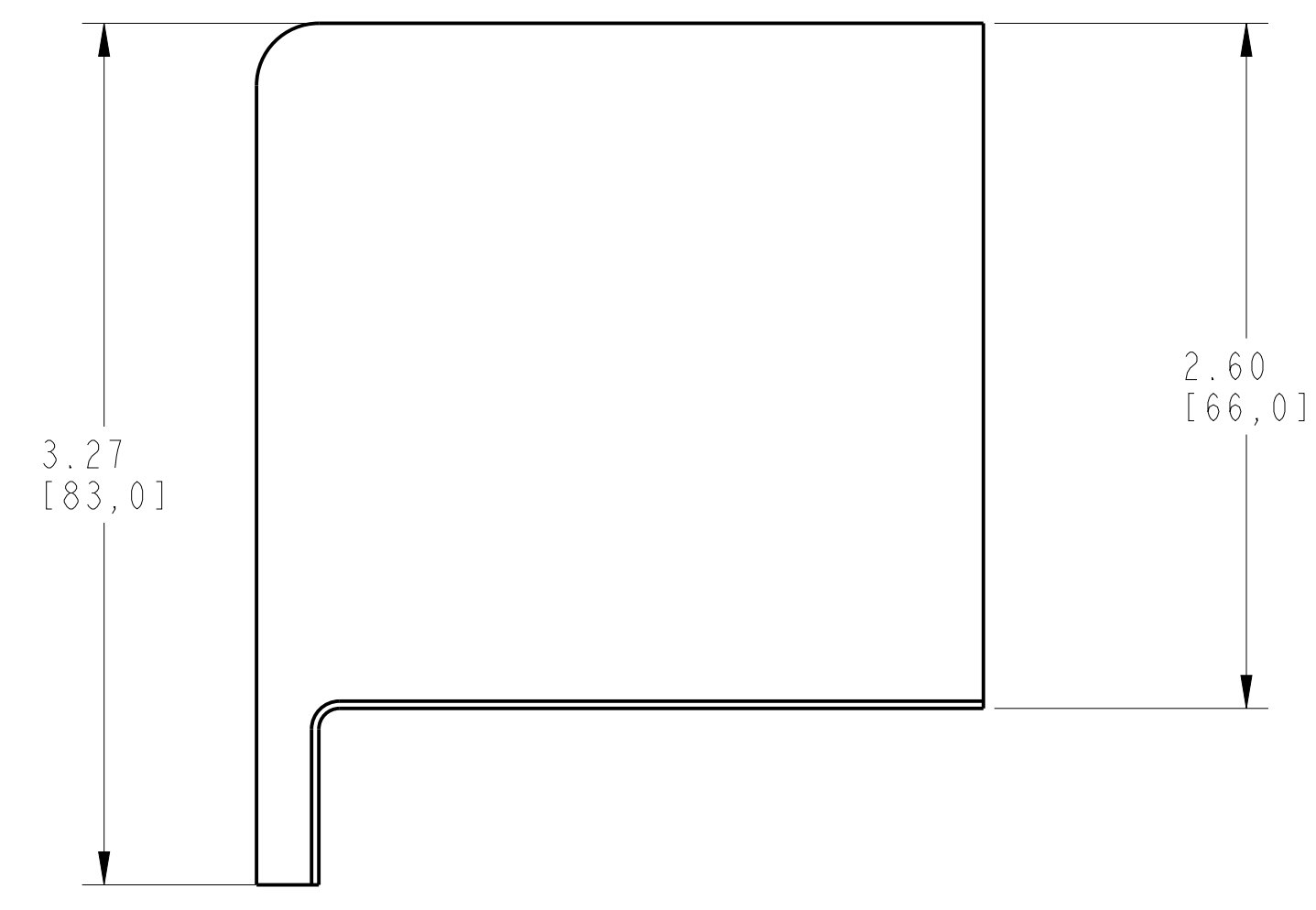
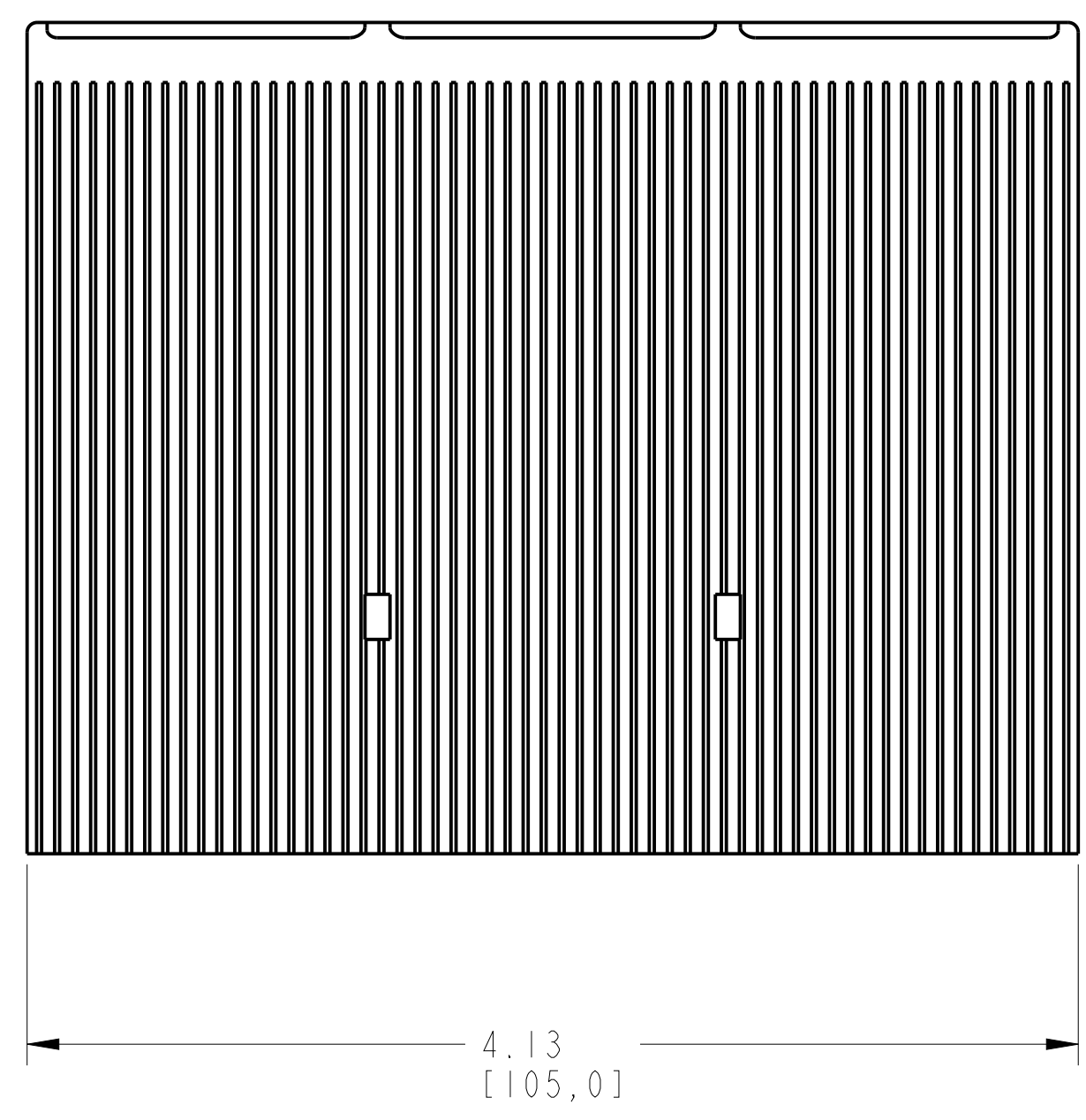
TERMINAL COVER HIGH ASSEMBLED TO 140G-1-3-POLE
SCALE 0.85:1

1 2 3 4 5 6 7 8

A
B
C
D
E
F
G
H



ISOMETRIC VIEW



ITEM 2 : TERMINAL COVER HIGH
SCALE 1.5:1

		<small>CONFIDENTIAL AND PROPRIETARY INFORMATION THIS DOCUMENT CONTAINS CONFIDENTIAL AND PROPRIETARY INFORMATION OF ROCKWELL AUTOMATION, INC. AND MAY NOT BE USED, COPIED OR DISCLOSED TO OTHERS, EXCEPT WITH THE AUTHORIZED WRITTEN PERMISSION OF ROCKWELL AUTOMATION, INC.</small>	
		Sheet 2 Of 2	
TERMINAL COVER HIGH ASSEMBLED TO 140G-I-3P CB		Size D	Ver 00
Drawn by: UMUNUSW	Date: 11-18-13	1000888395	