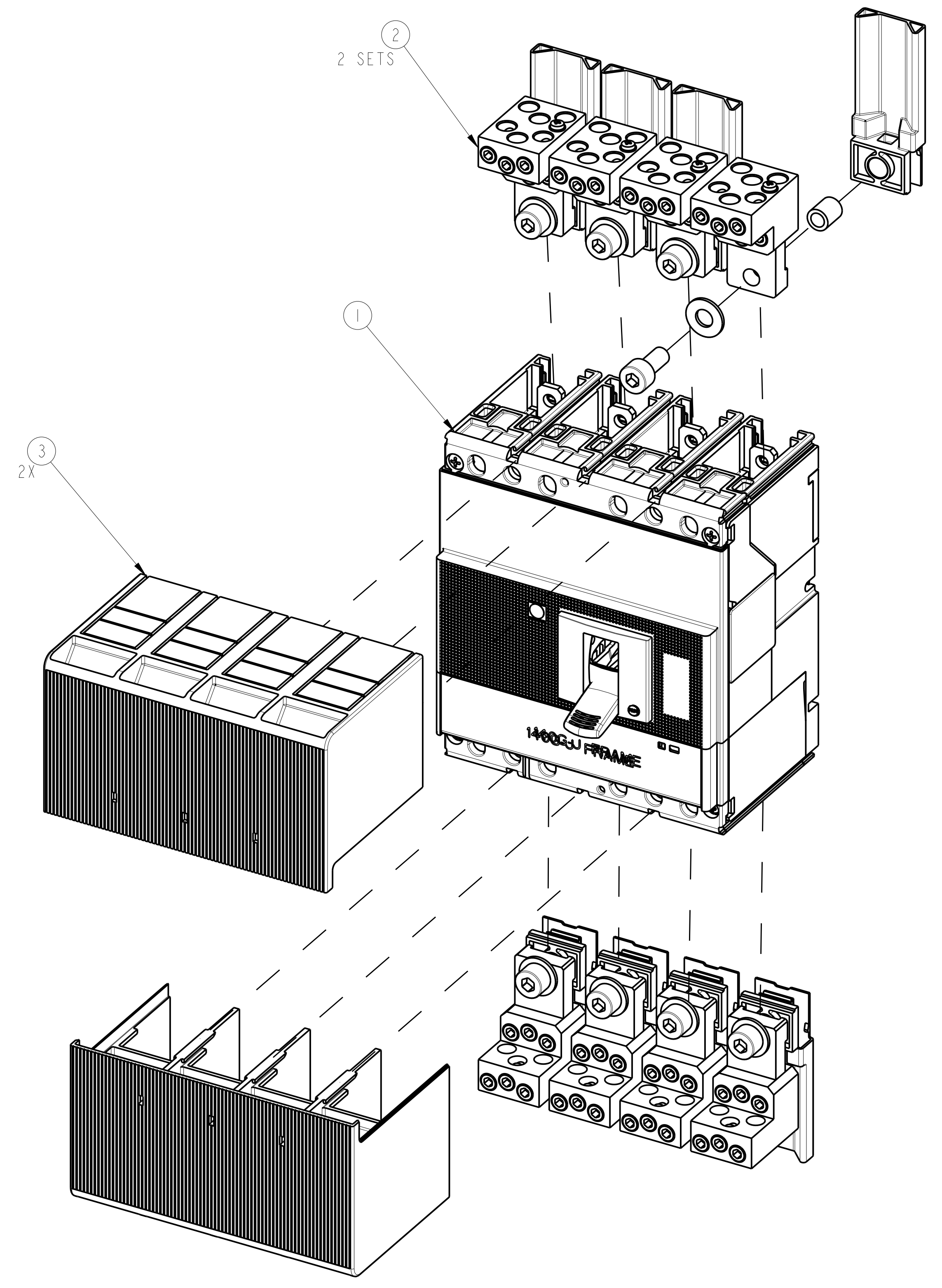
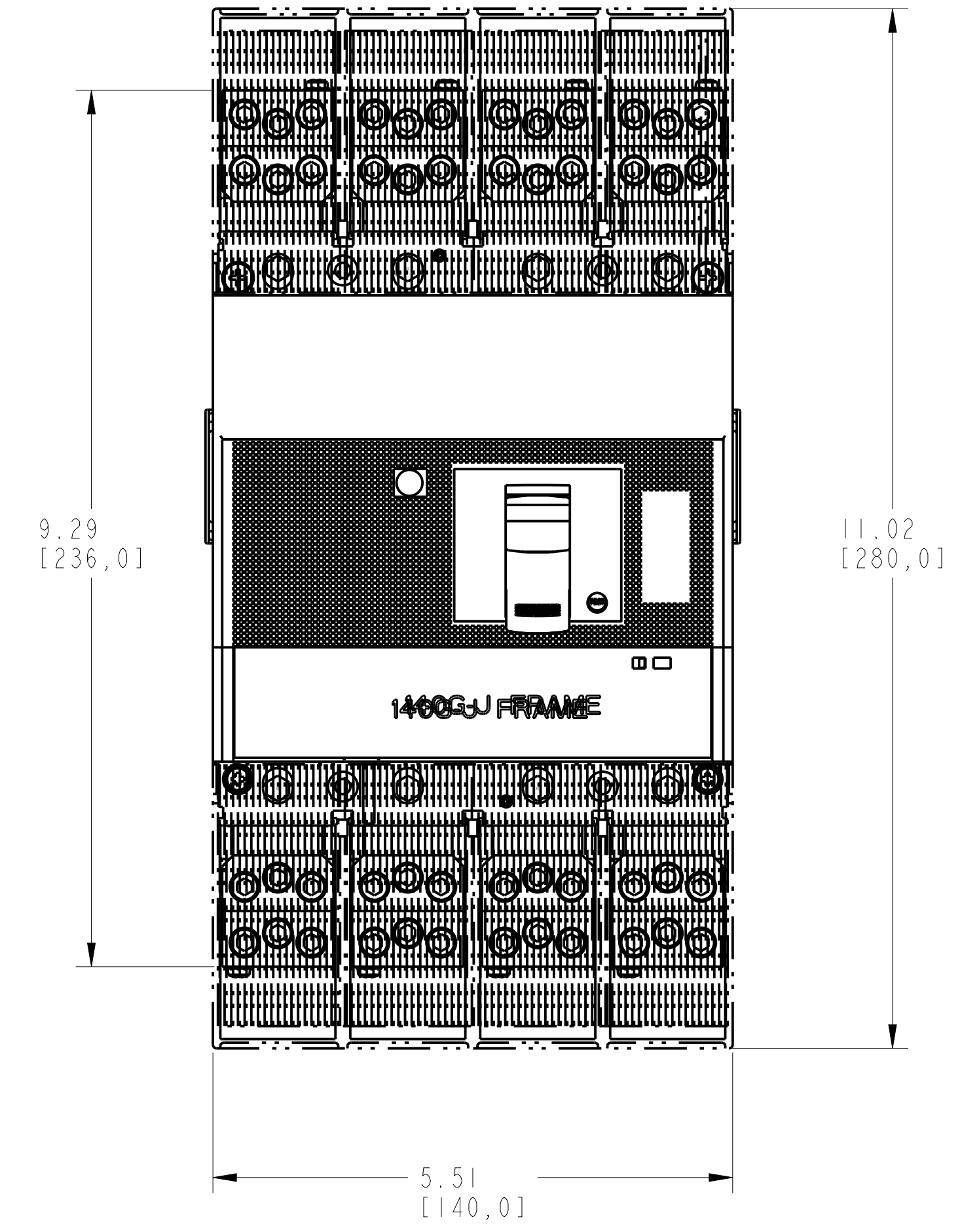
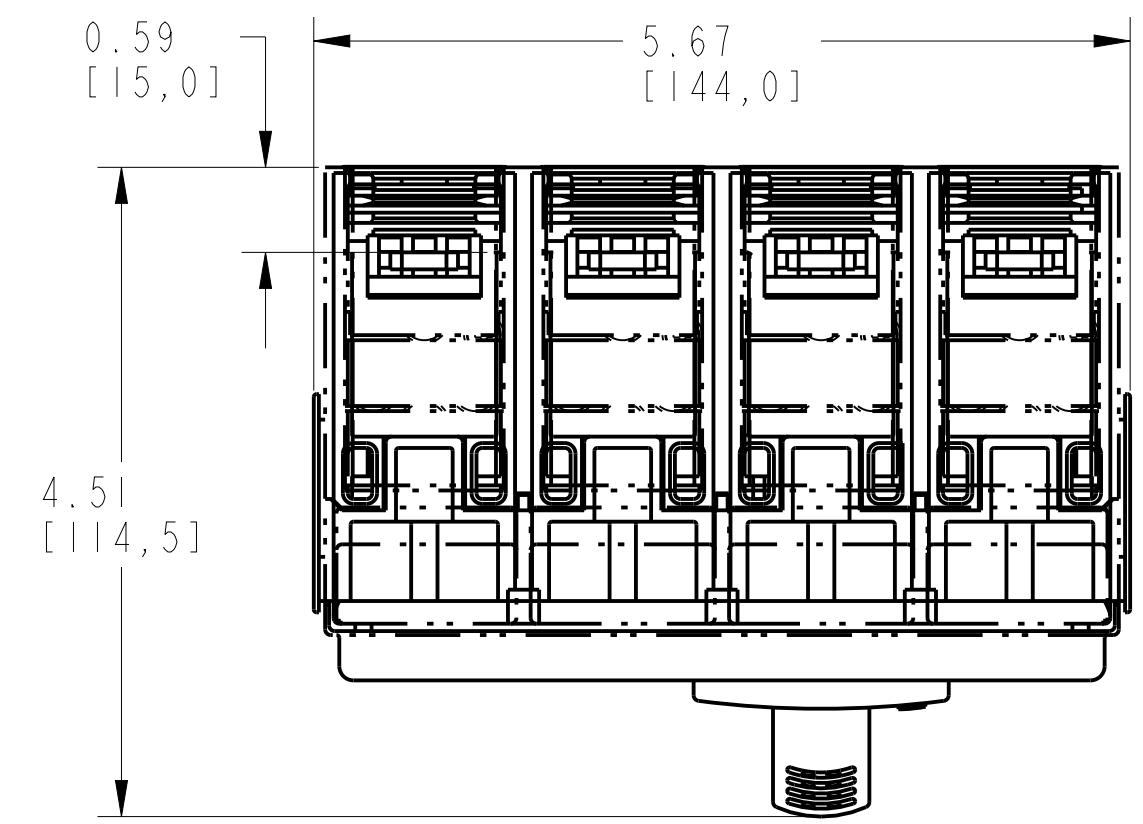
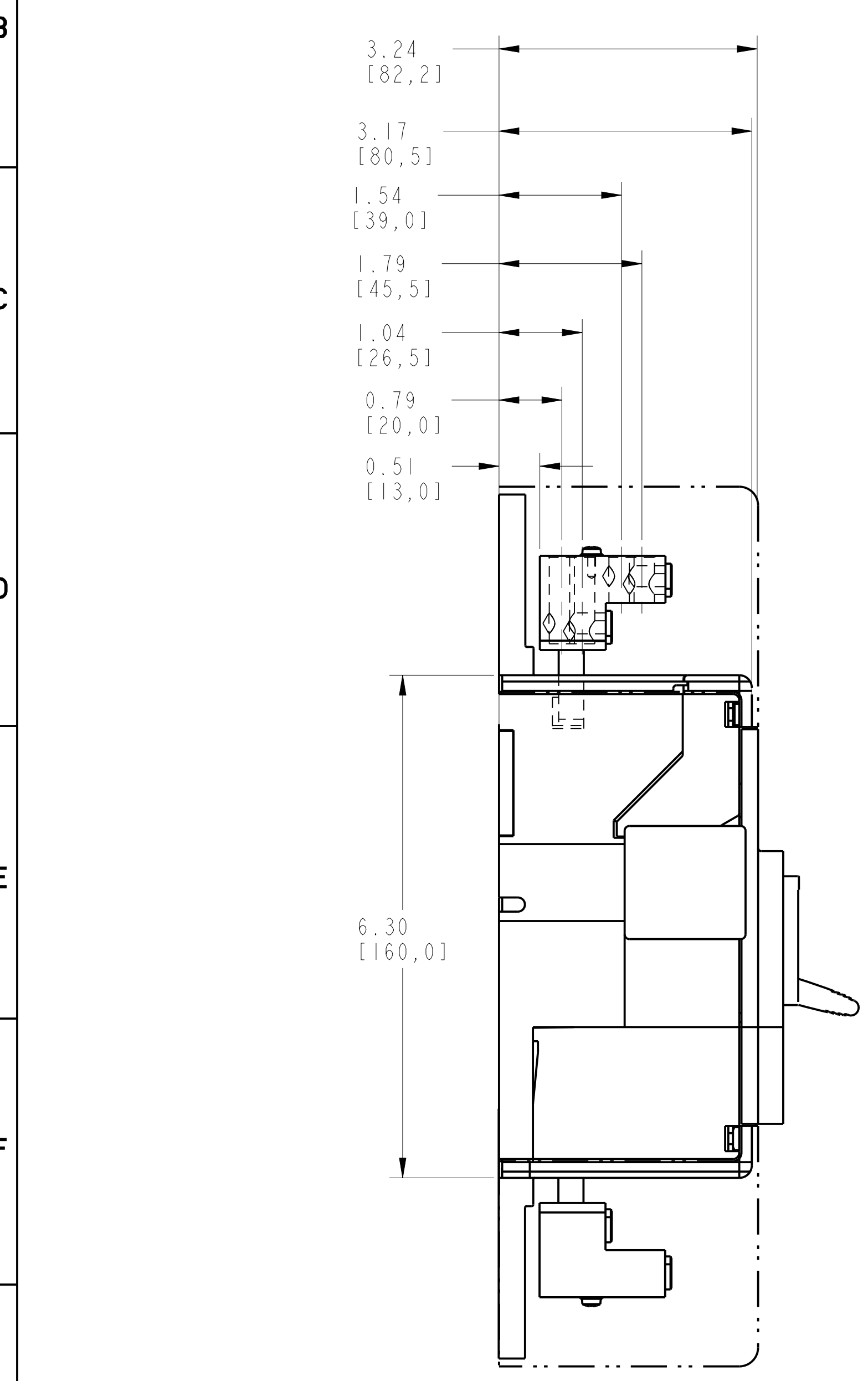
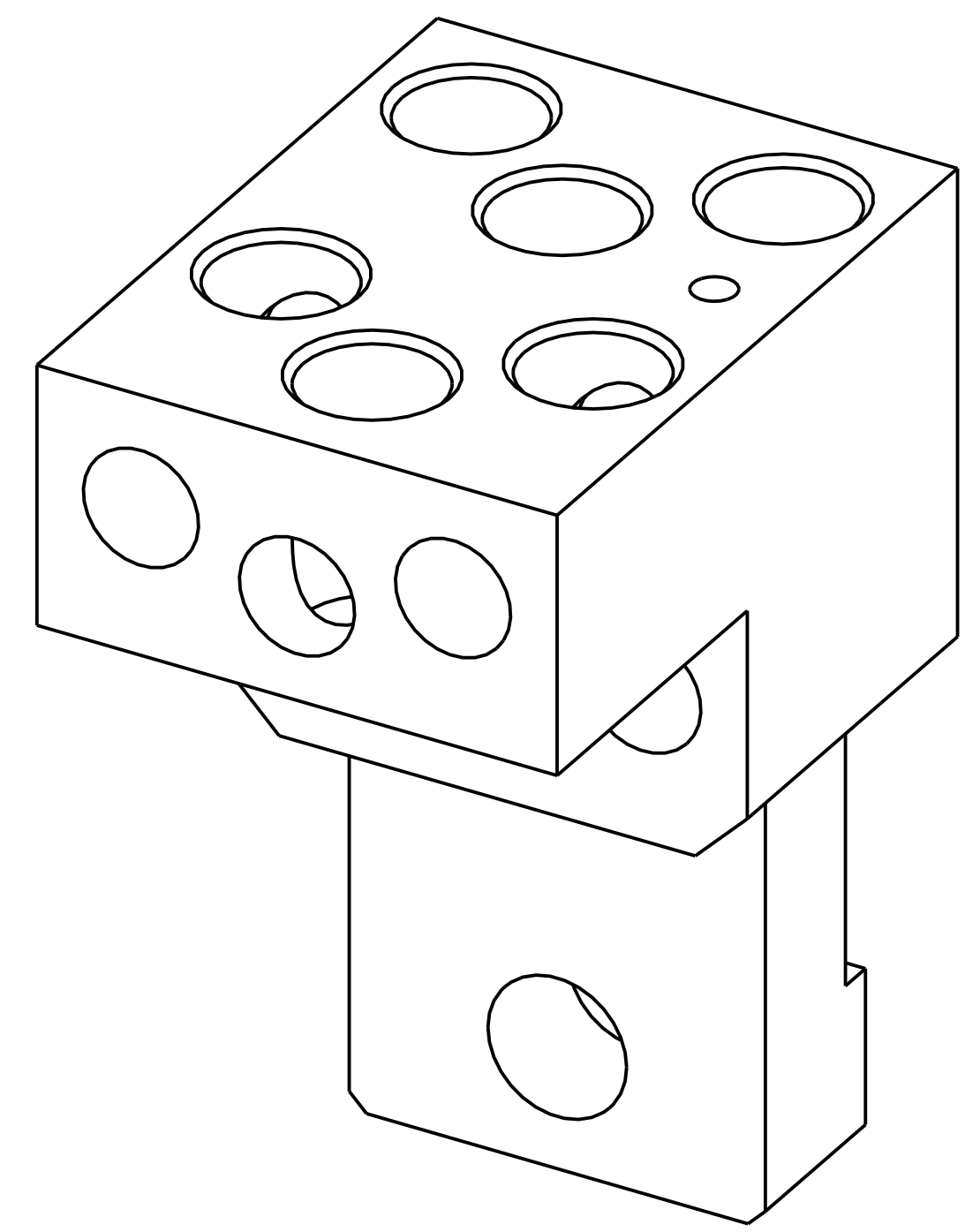
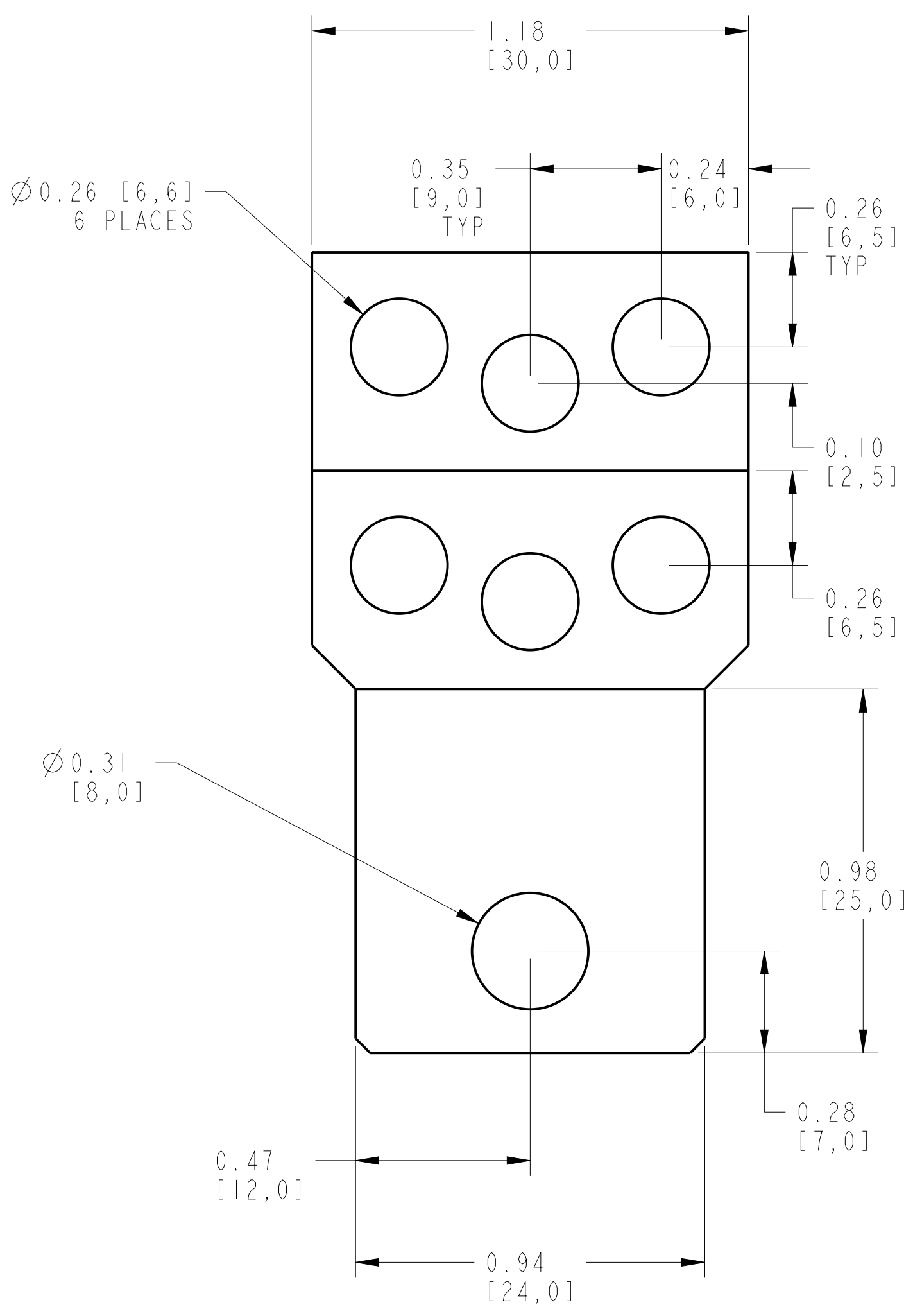
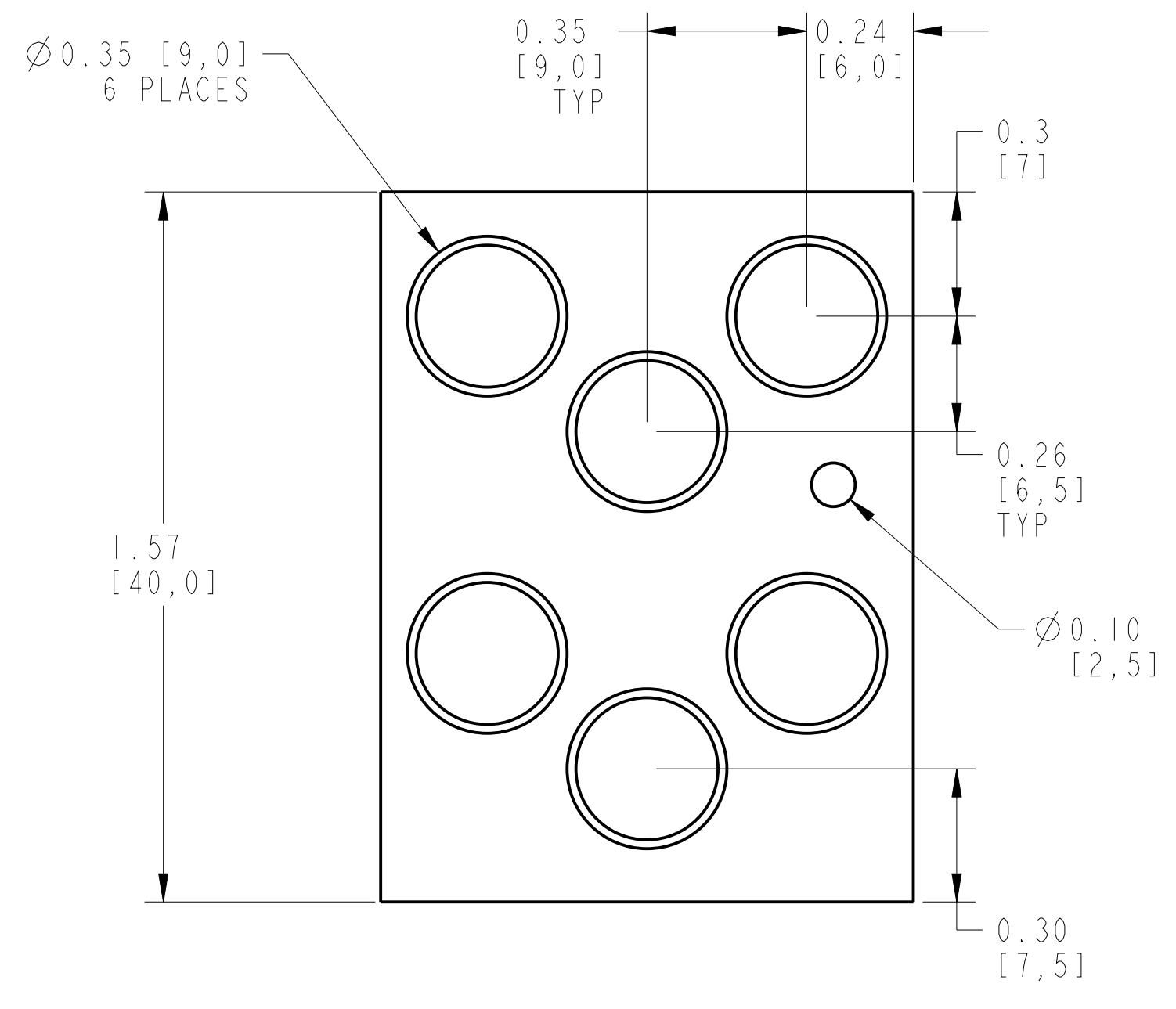


MULTIPLE CABLE LUG ASSEMBLY

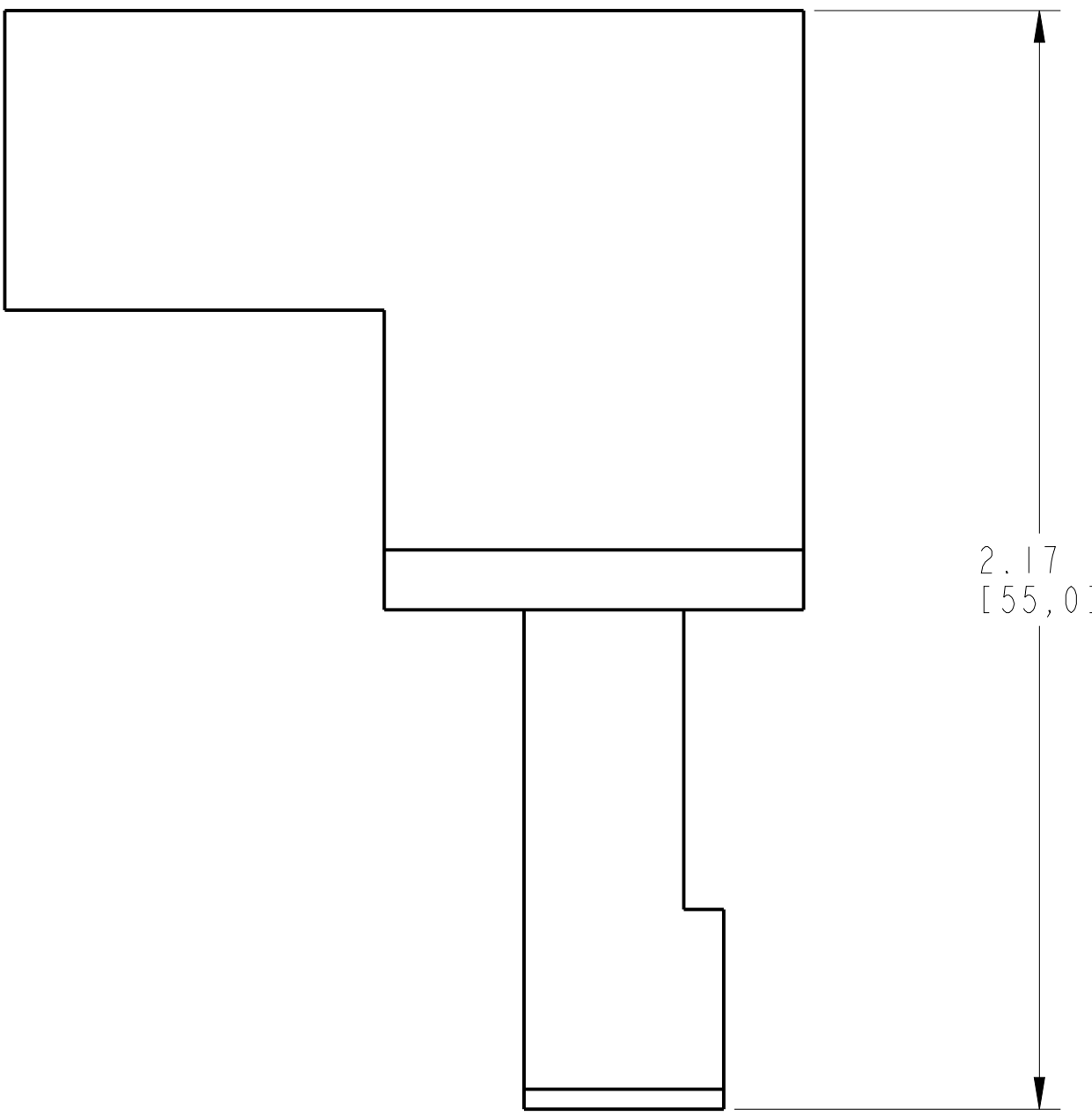
ITEM	DESCRIPTION	QTY	AB CAT NUMBER
1	MOLDED CASE CIRCUIT BREAKER	1	140G-J-4P CB
2	MULTIPLE CABLE LUG (4 PCS)	2 SETS	140G-J-MTL64
3	TERMINAL COVER HIGH	2	140G-J-TC4H



MULTIPLE CABEL LUG ASSEMBLED TO 140G-J-4-POLE  
 SCALE 0.75:1



ISOMETRIC VIEW



ITEM 2 : MULTIPLE CABEL LUG  
SCALE 3:1

		CONFIDENTIAL AND PROPRIETARY INFORMATION THIS DOCUMENT CONTAINS CONFIDENTIAL AND PROPRIETARY INFORMATION OF ROCKWELL AUTOMATION, INC. AND MAY NOT BE USED, COPIED OR DISCLOSED TO OTHERS, EXCEPT WITH THE AUTHORIZED WRITTEN PERMISSION OF ROCKWELL AUTOMATION, INC.	
		Sheet 2 Of 2	
MCCU ASSEMBLED TO 140G-J-4POLE CB		Size D	Ver 00
Drawn by: UMUNUSW	Date: OCT-16-2013	10000848889	