

1

2

3

4

5

6

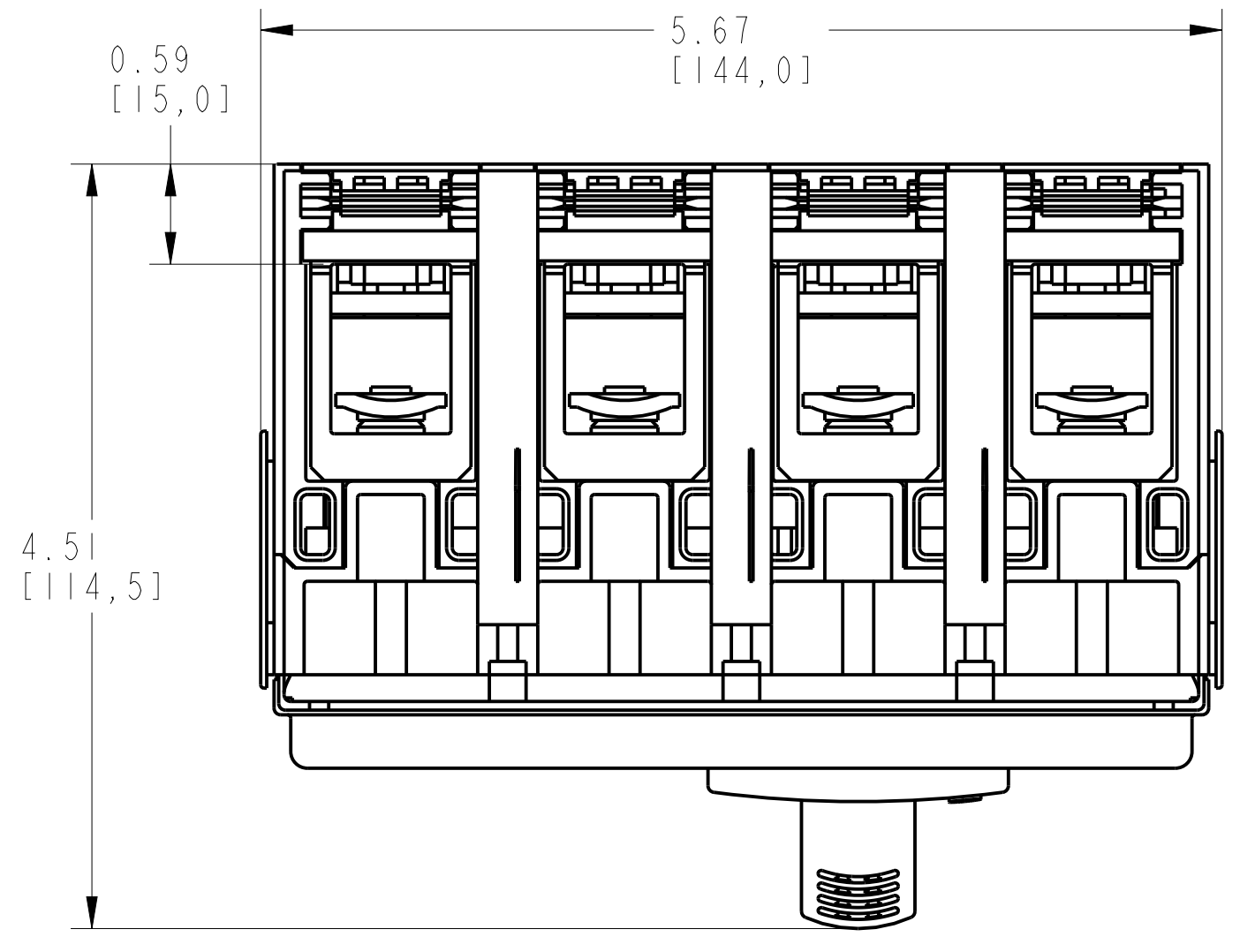
7

8

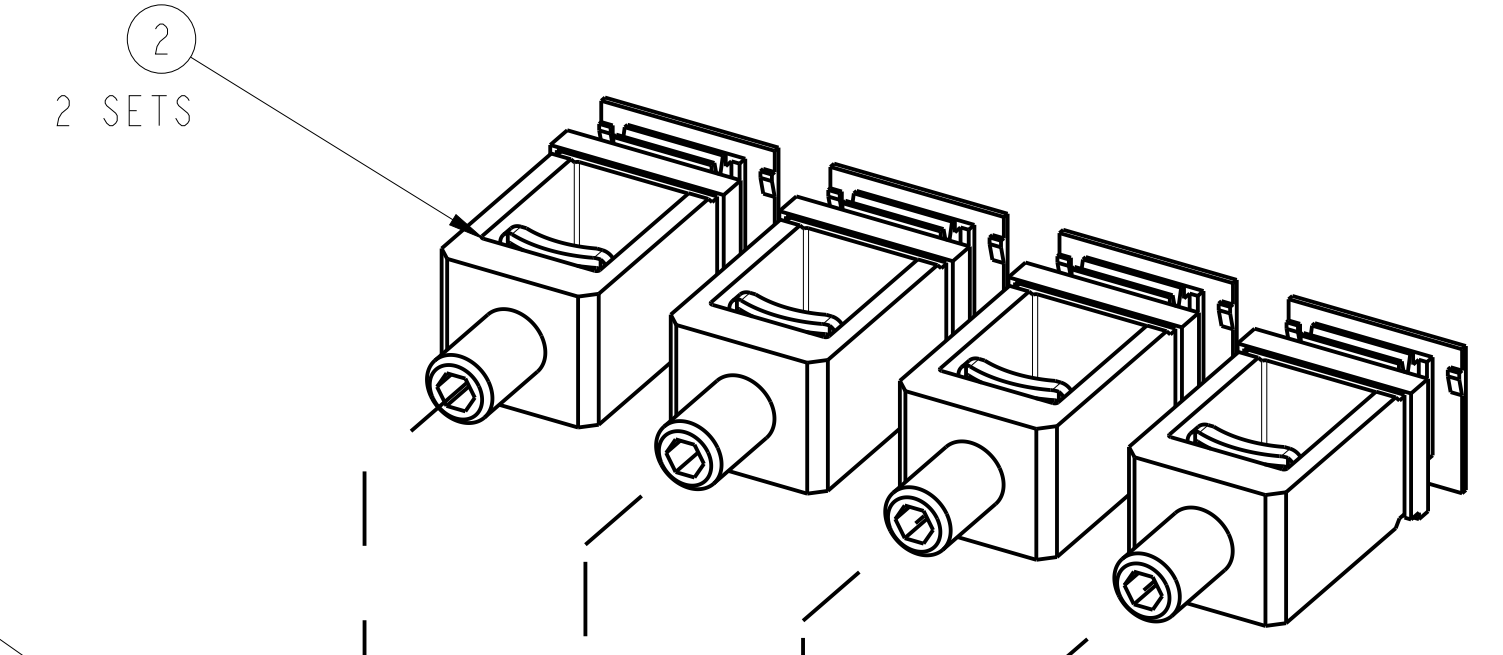
TERMINAL FOR FCCU-AL ASSEMBLY

ITEM	DESCRIPTION	QTY	AB CAT NUMBER
1	MOLDED CASE CIRCUIT BREAKER	1	140G-J-4P CB
2	FCCU-AL TERMINAL (4 PCS)	2 SETS	140G-J-TLA1B4
3	PHASE BARRIERS 25MM 4POLE (3 PCS)	2 SETS	140G-H-PB4M

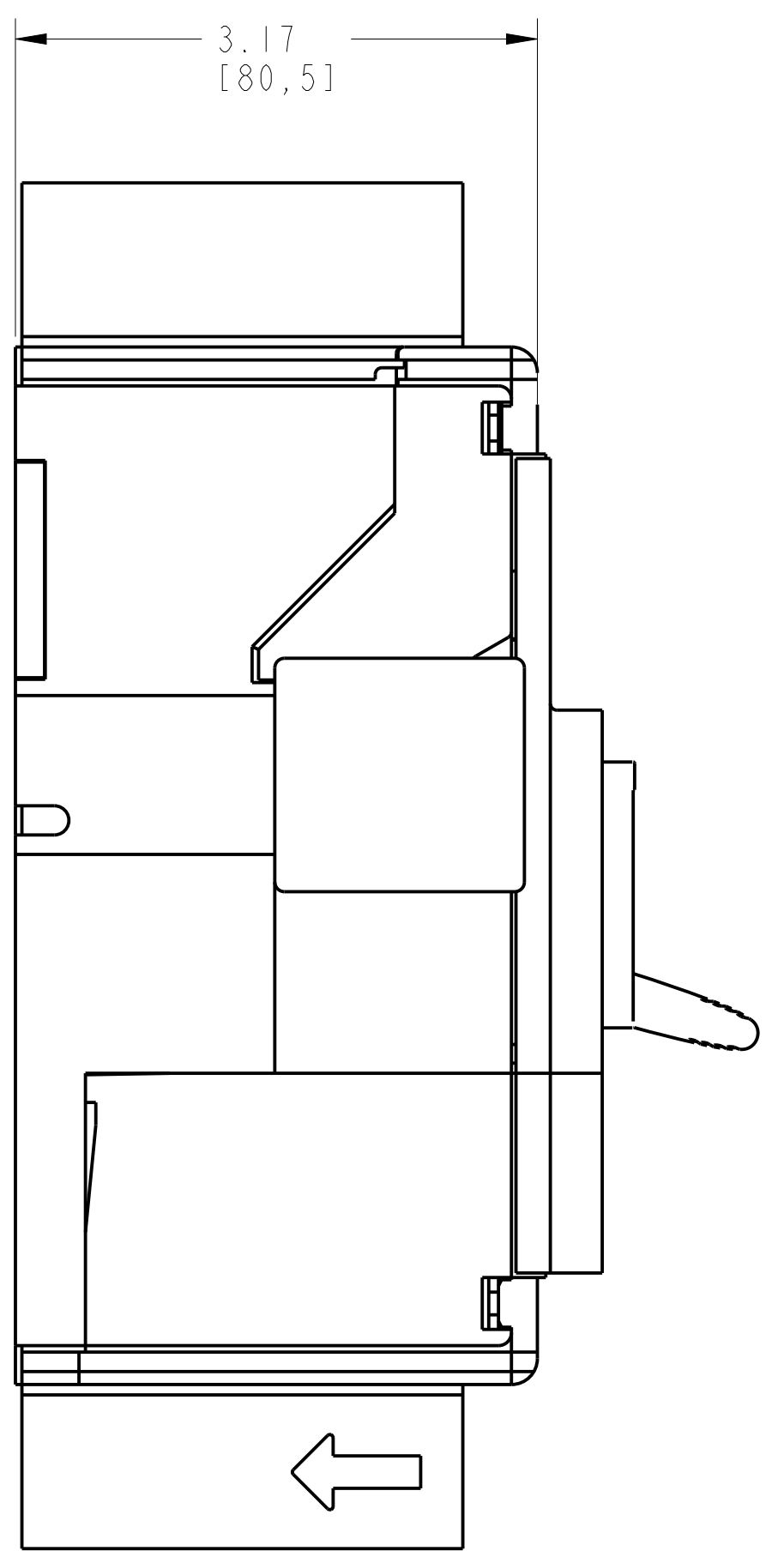
A



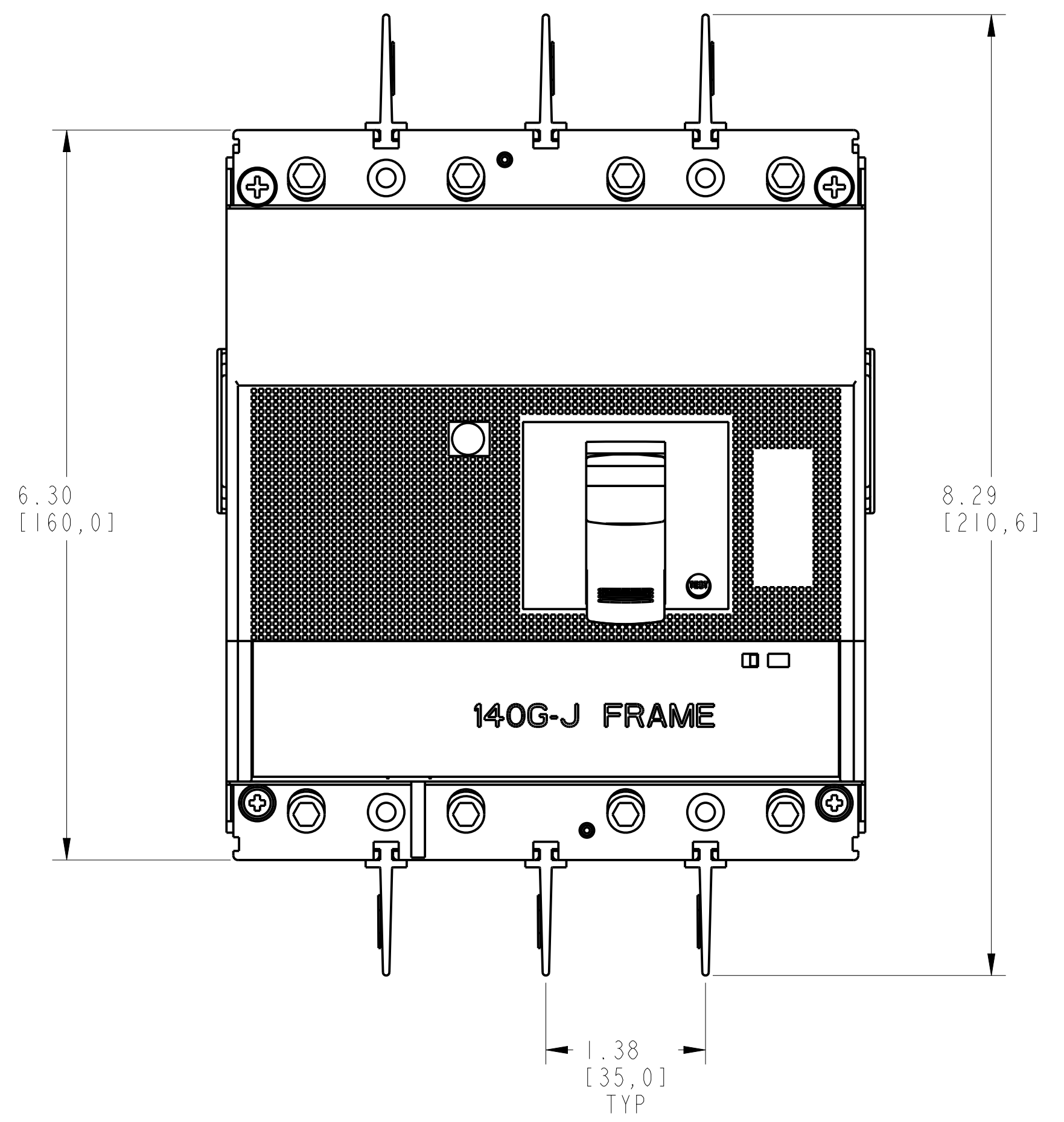
B



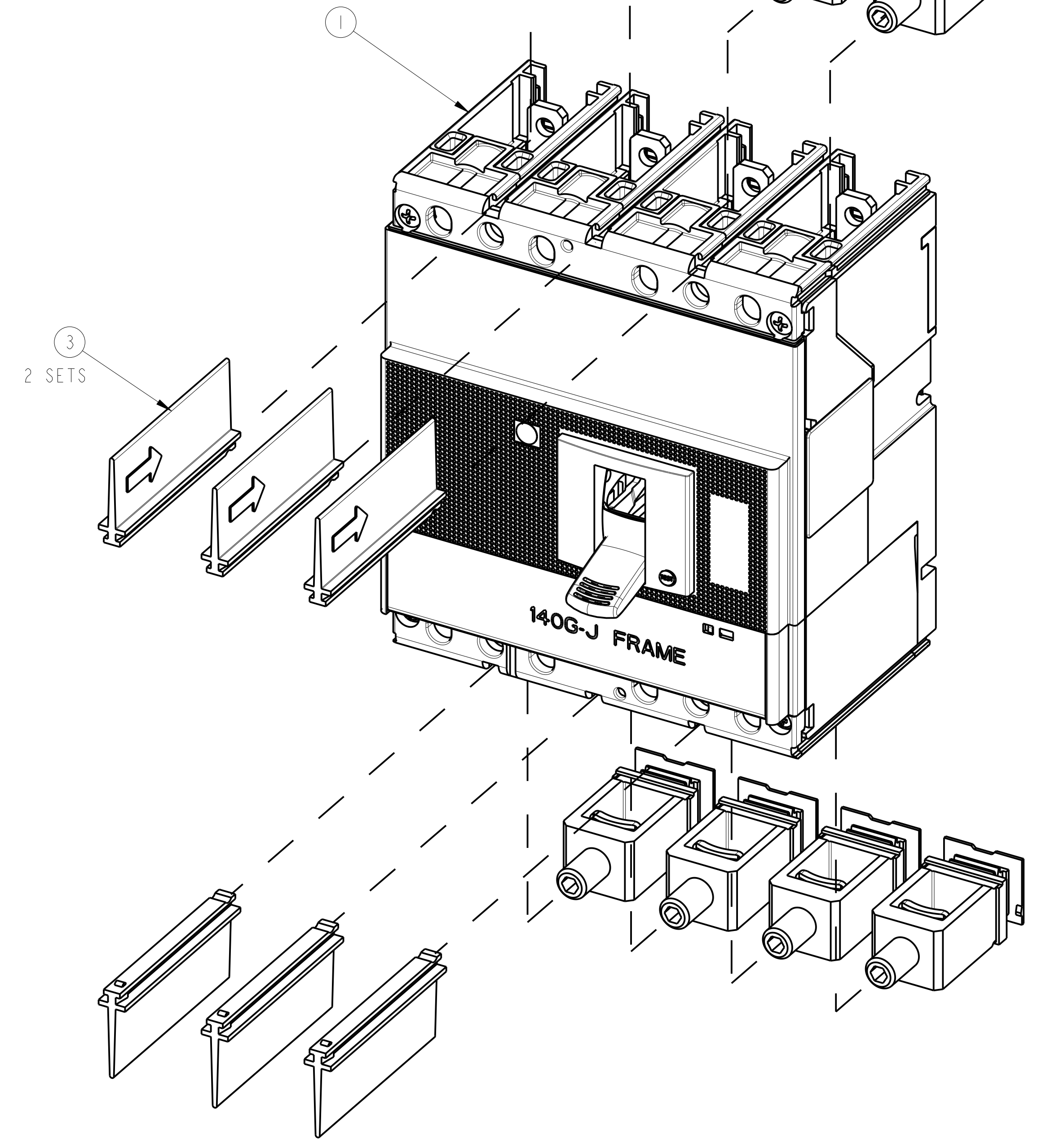
C



D



E



F

G

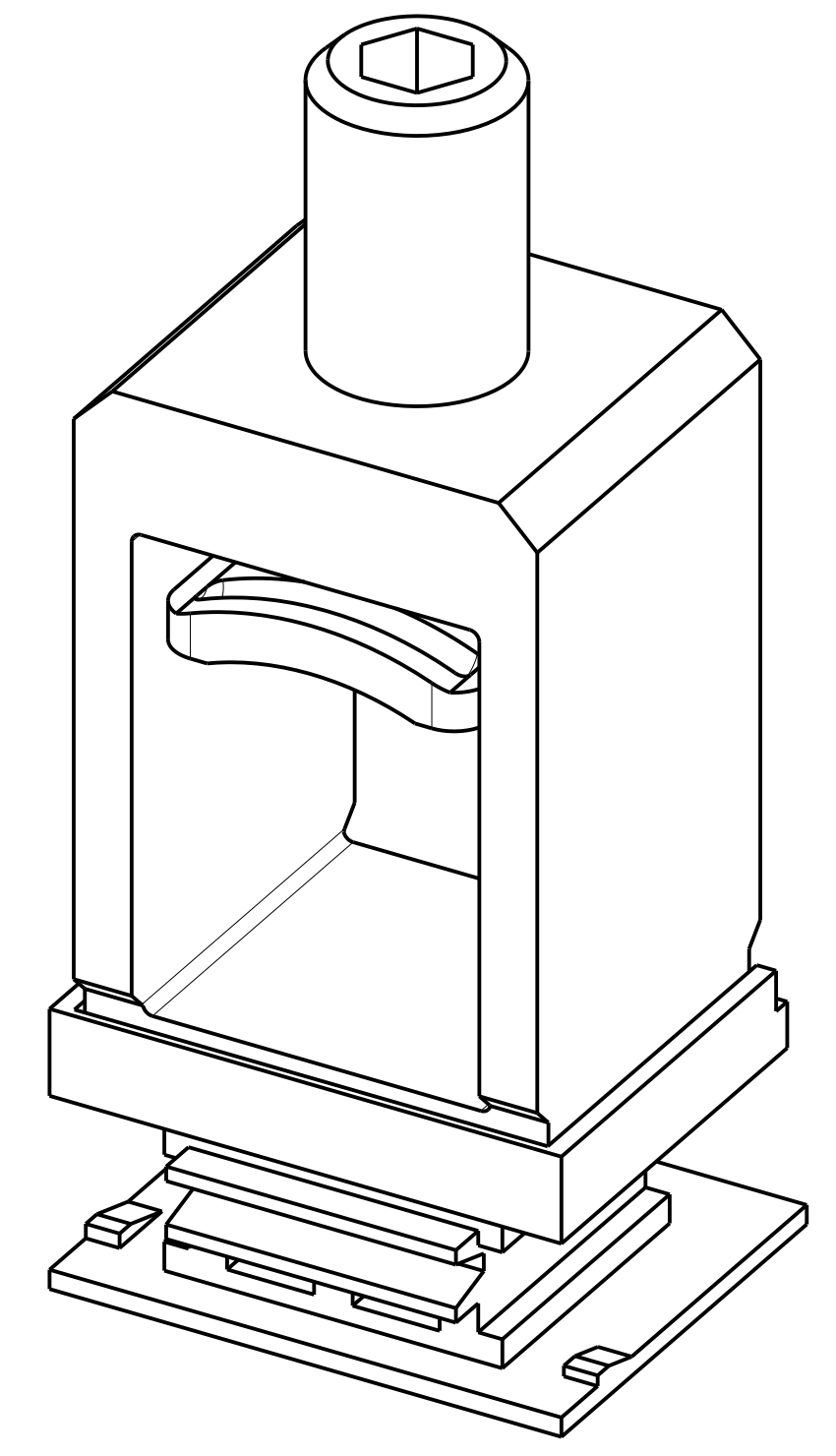
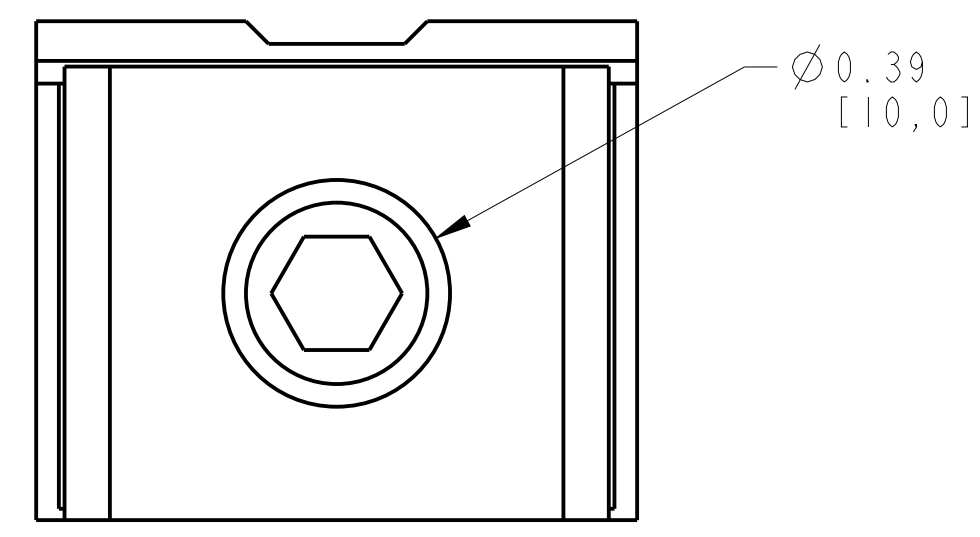
H

TERMINAL FOR FCCU-AL ASSEMBLED TO 140G-J-4-POLE
SCALE 1:1

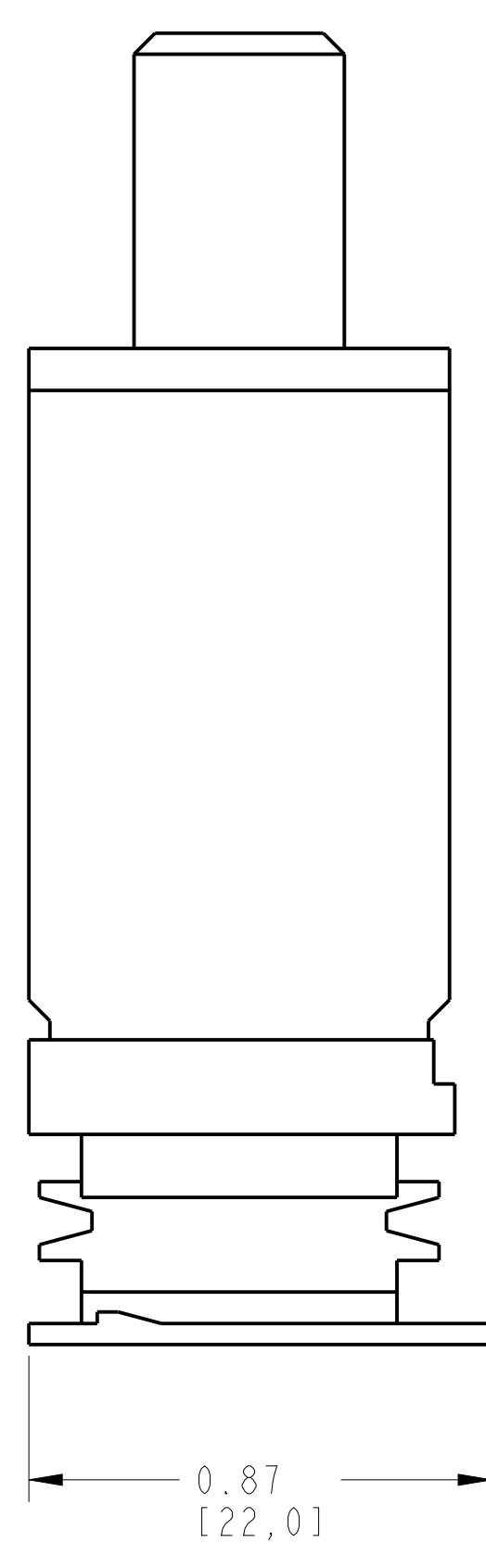
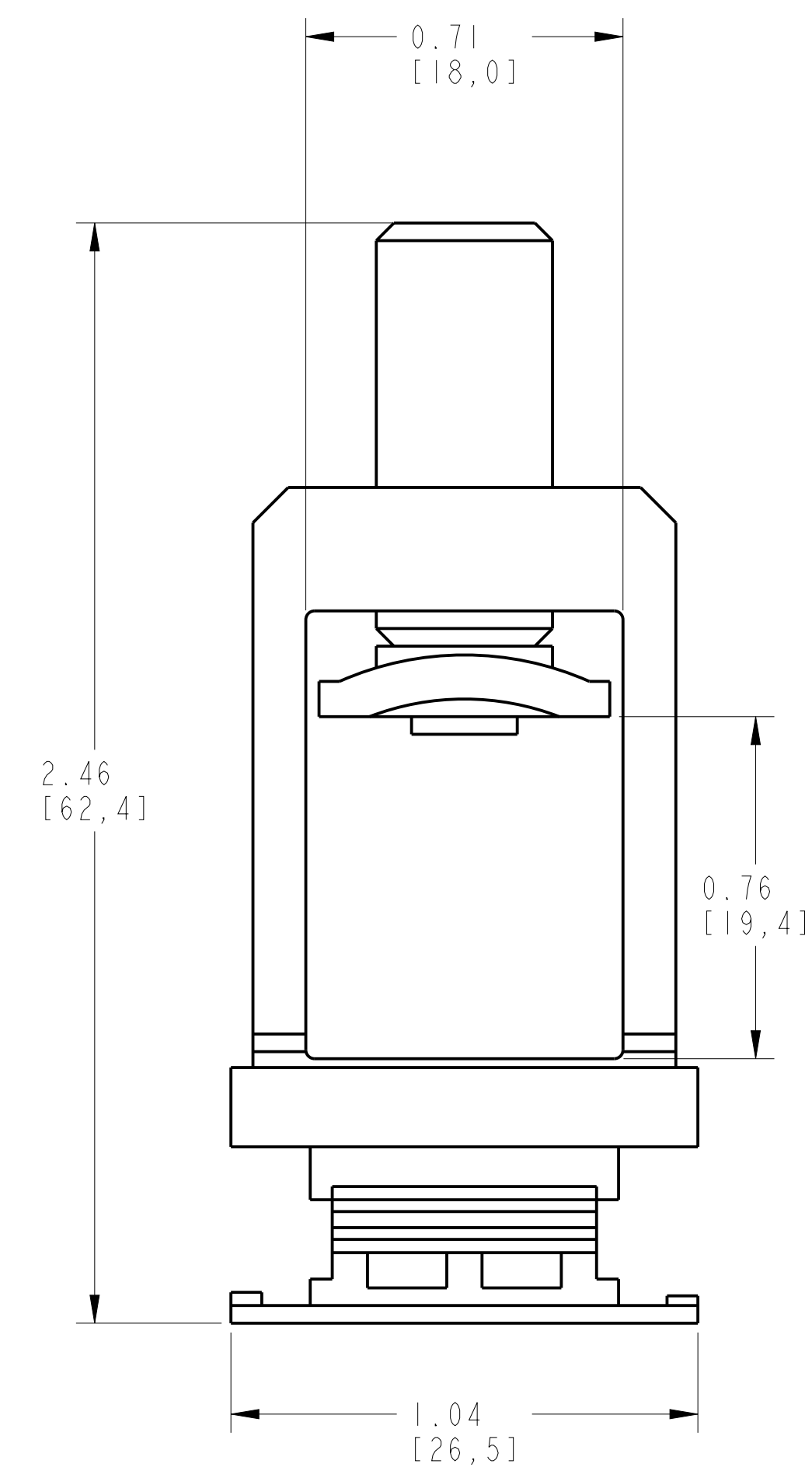
		<small>CONFIDENTIAL AND PROPRIETARY INFORMATION THIS DOCUMENT CONTAINS CONFIDENTIAL AND PROPRIETARY INFORMATION OF ROCKWELL AUTOMATION, INC. AND MAY NOT BE USED, COPIED OR DISCLOSED TO OTHERS, EXCEPT WITH THE AUTHORIZED WRITTEN PERMISSION OF ROCKWELL AUTOMATION, INC.</small>	
		Sheet 1 Of 2	Ver
FCCU-AL ASSEMBLED TO 140G-J-4POLE CB		D	10000848915
Drawn by: UMUNUSW	Date: OCT-16-2013		

1 2 3 4 5 6 7 8

A
B
C
D
E
F
G
H



ISOMETRIC VIEW



ITEM 2 : TERMINAL FOR FCCU-AL
SCALE 3:1

		<small>CONFIDENTIAL AND PROPRIETARY INFORMATION THIS DOCUMENT CONTAINS CONFIDENTIAL AND PROPRIETARY INFORMATION OF ROCKWELL AUTOMATION, INC. AND MAY NOT BE USED, COPIED OR DISCLOSED TO OTHERS, EXCEPT WITH THE AUTHORIZED WRITTEN PERMISSION OF ROCKWELL AUTOMATION, INC.</small>	
		Sheet 2 Of 2	
FCCU-AL ASSEMBLED TO 140G-J-4POLE CB		Size D	Ver 00
Drawn by: UMUNUSW	Date: OCT-16-2013	10000848915	