

1

2

3

4

5

6

7

8

BACK PLATE 3 POLE INSULATION ASSEMBLY

ITEM	DESCRIPTION	QTY	PART NUMBER
1	MOLDED CASE CIRCUIT BREAKER	1	140G-K-3P CB
2	INSULATION BACK PLATE 3 POLE	1	140G-K-BP3

A

B

C

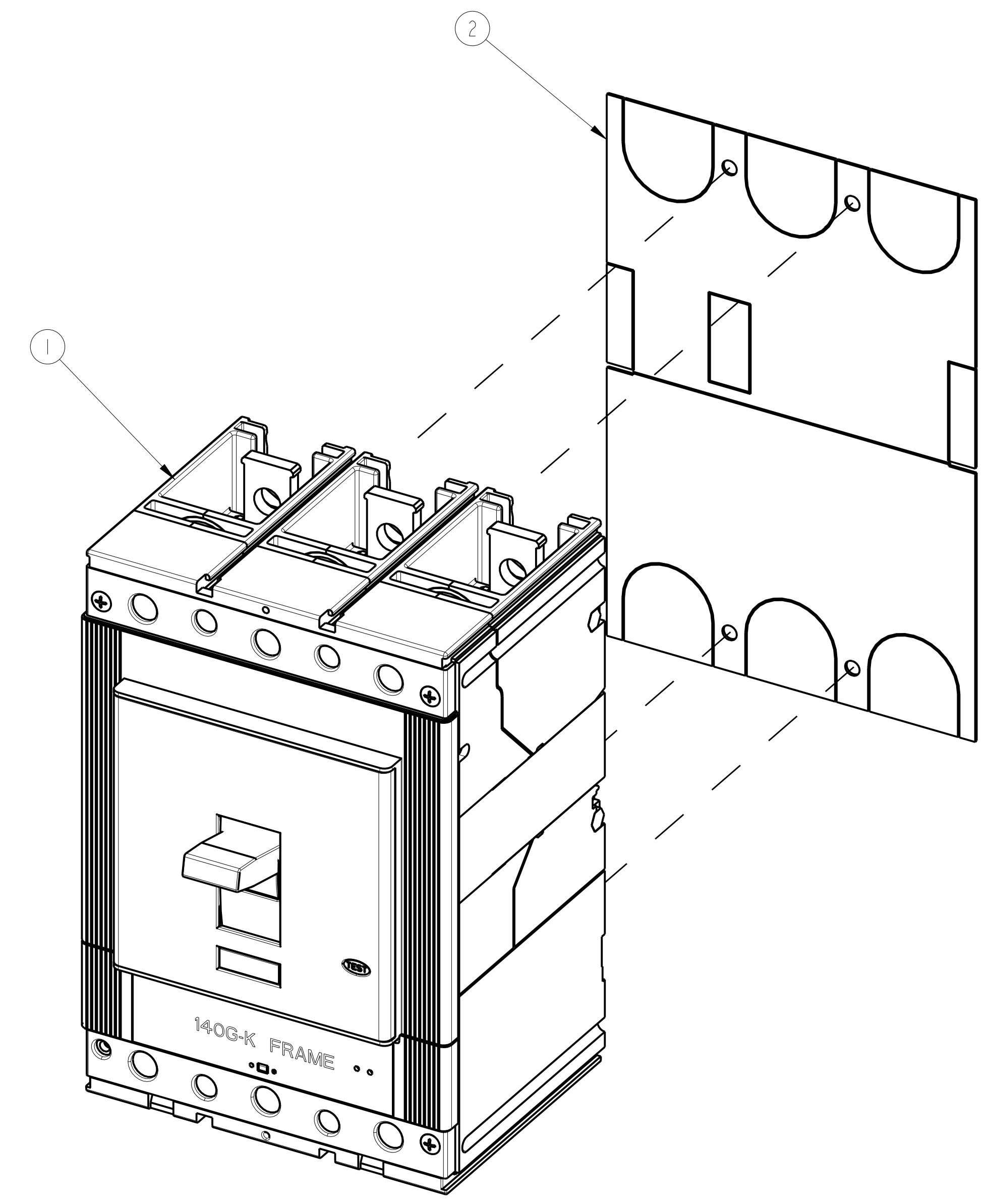
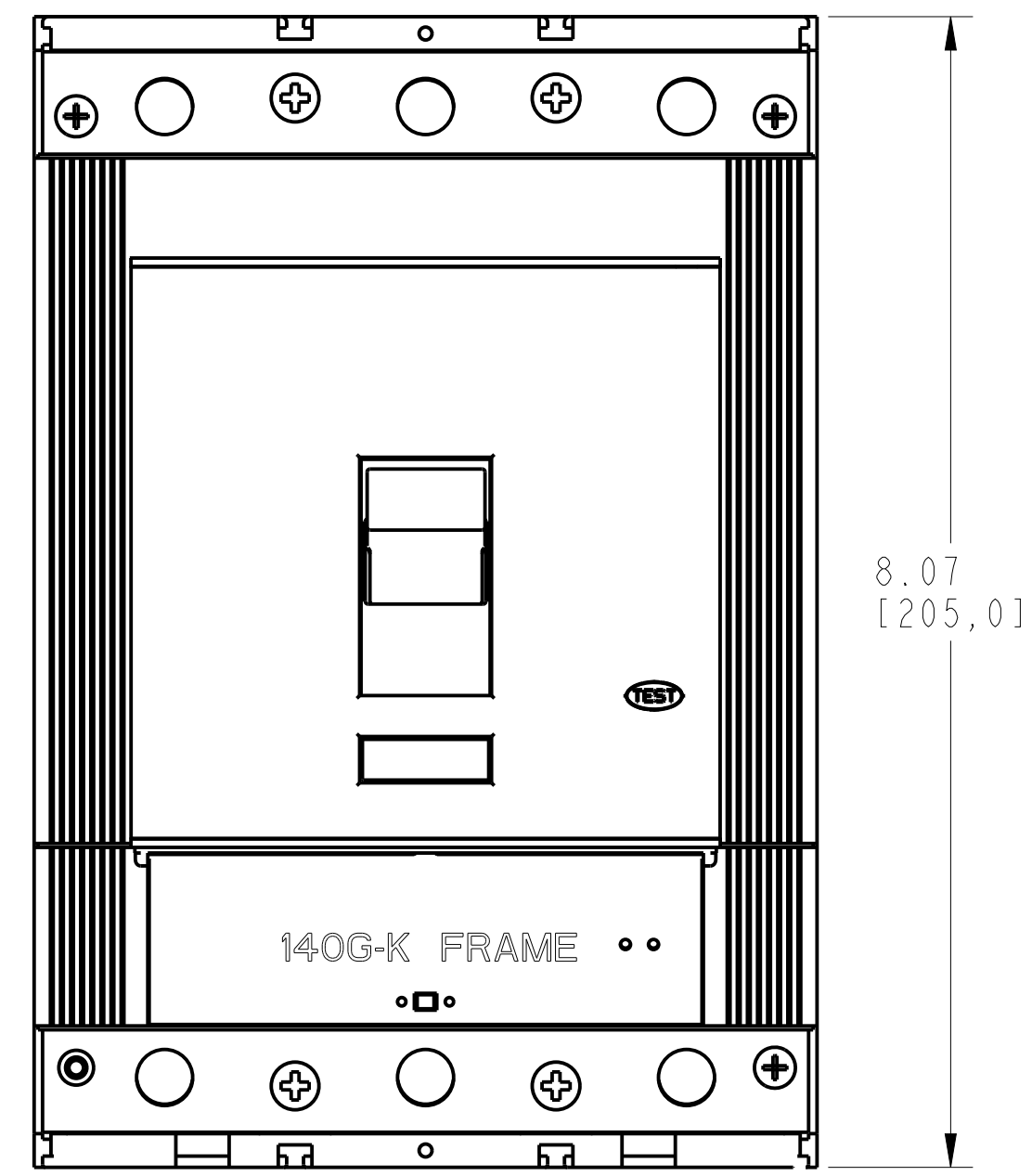
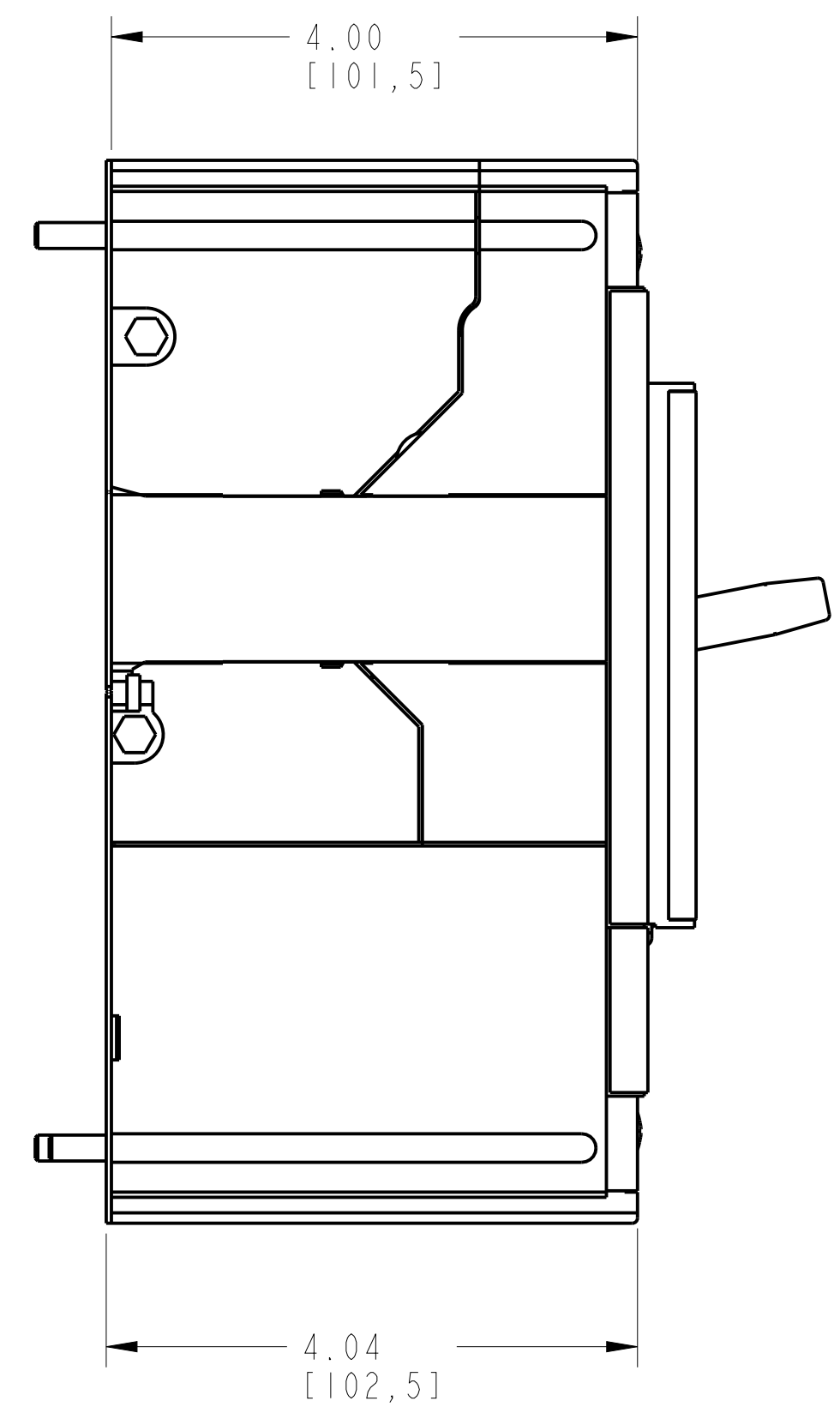
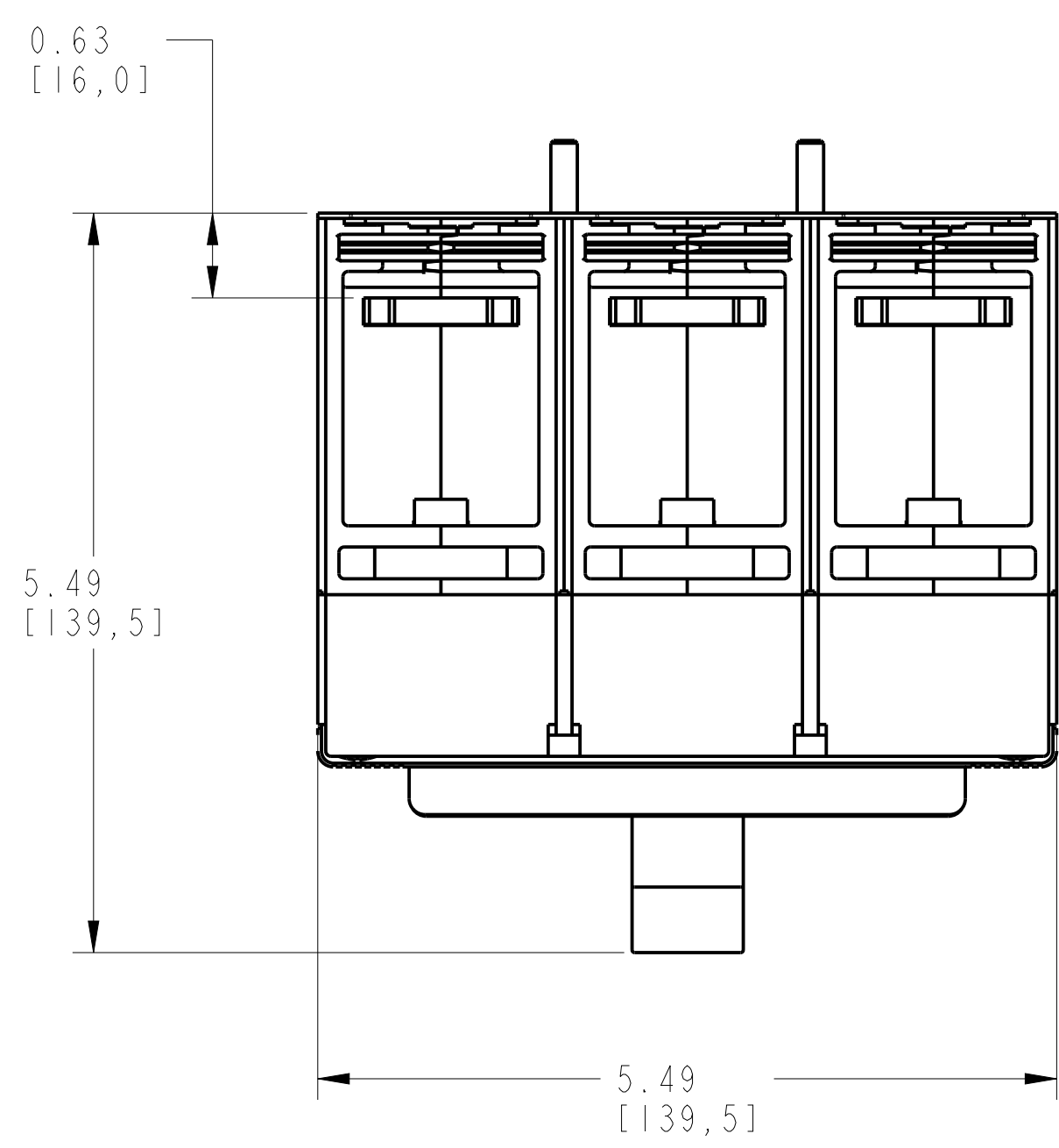
D

E

F

G

H

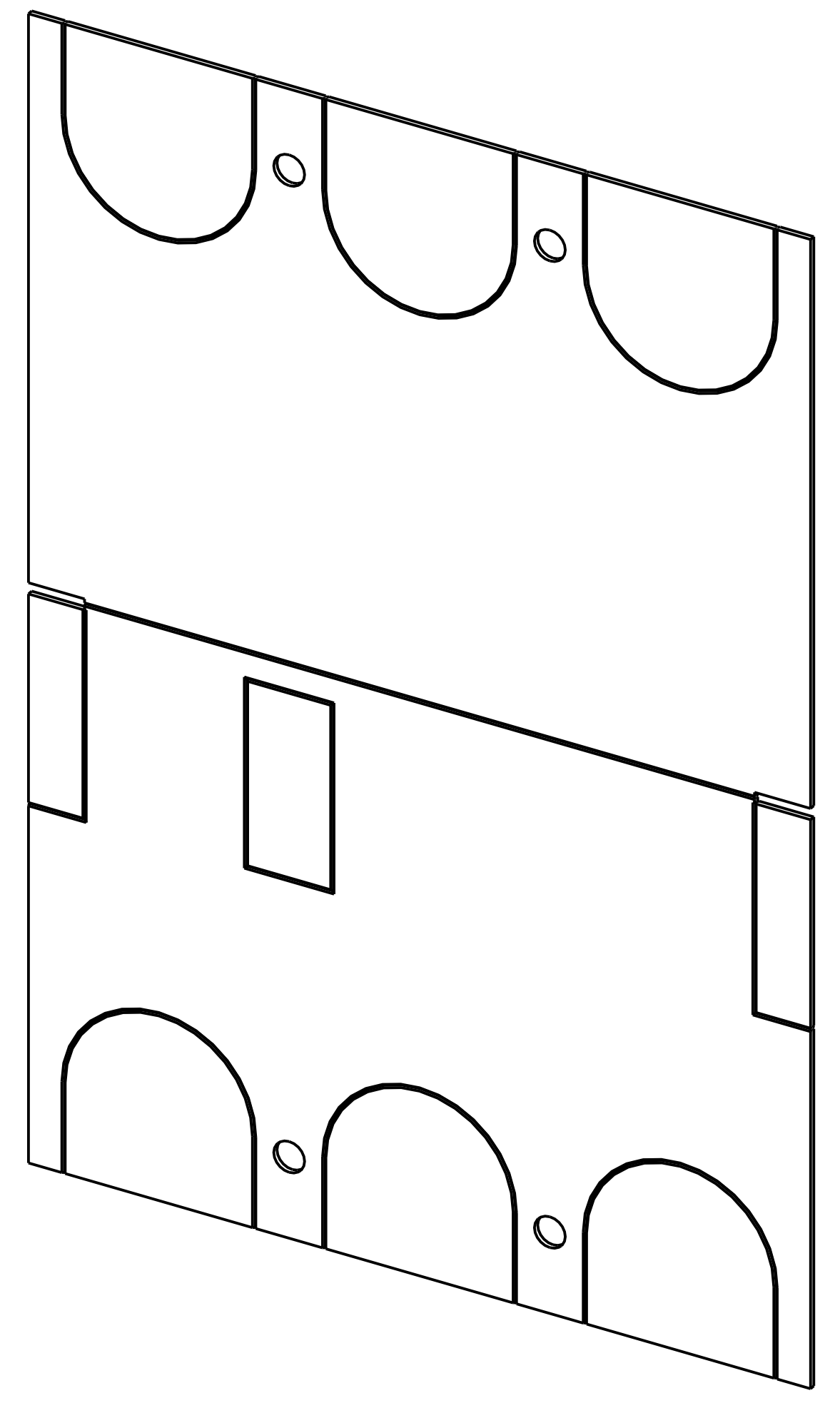
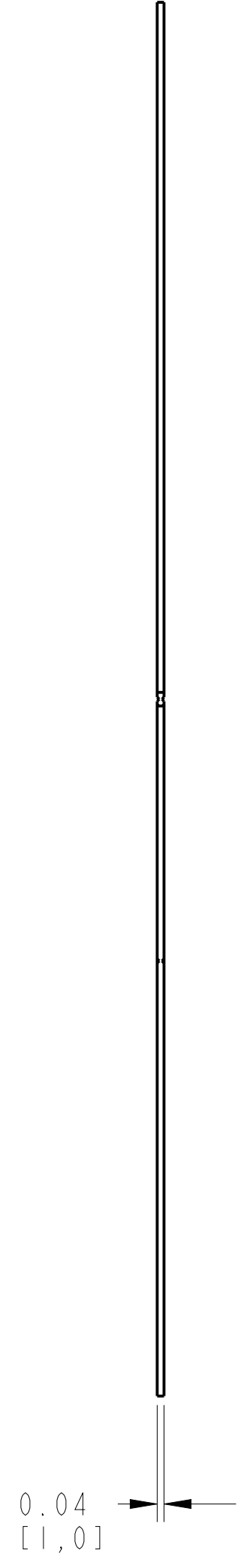
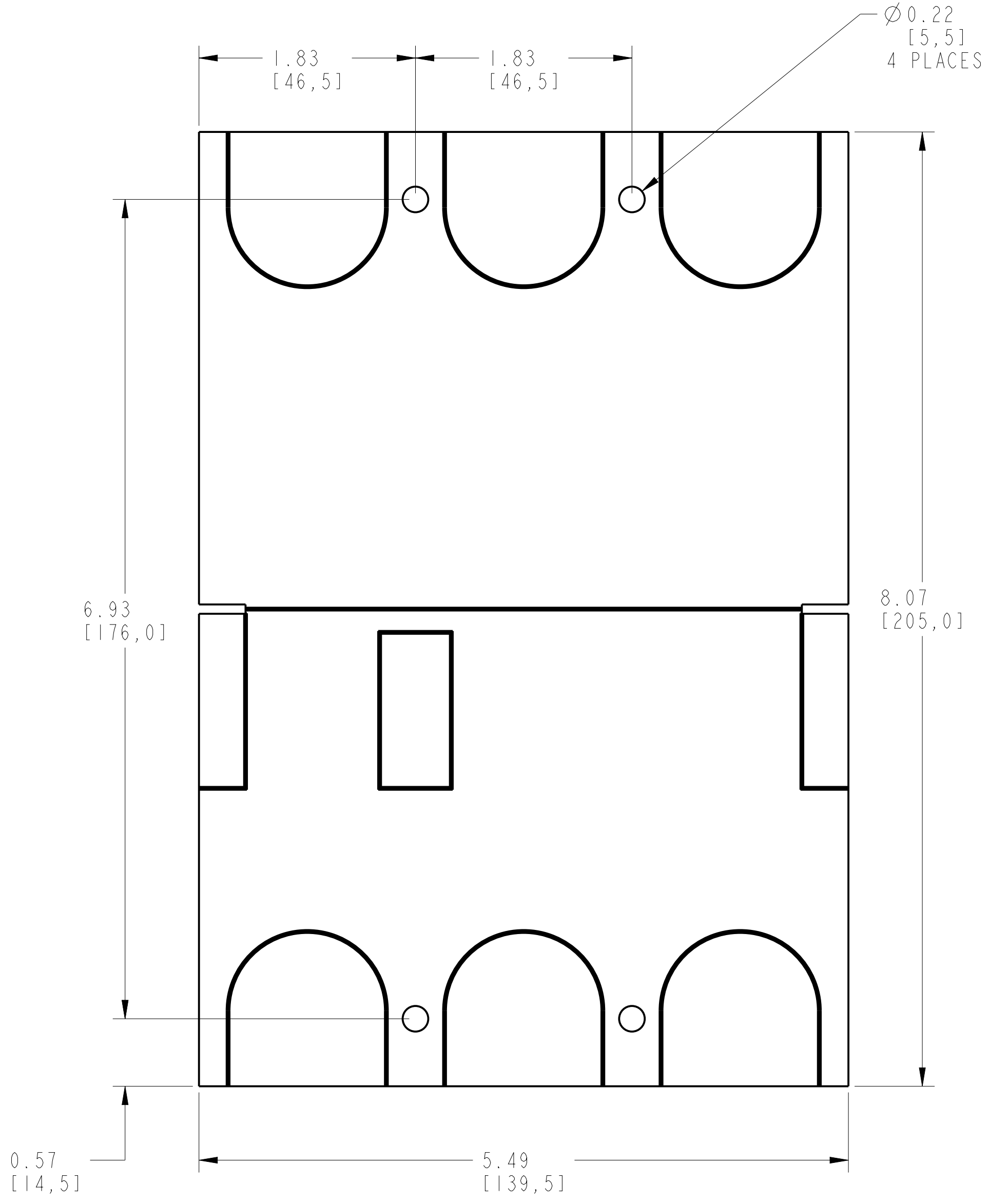


INSULATION BACK PLATE 3 POLE ASSEMBLED TO 140G-K-3-POLE
SCALE 0.80:1

		<small>CONFIDENTIAL AND PROPRIETARY INFORMATION. THIS DOCUMENT CONTAINS CONFIDENTIAL AND PROPRIETARY INFORMATION OF ROCKWELL AUTOMATION, INC. AND MAY NOT BE USED, COPIED OR DISCLOSED TO OTHERS, EXCEPT WITH THE AUTHORIZED WRITTEN PERMISSION OF ROCKWELL AUTOMATION, INC.</small>	
		Sheet 1 Of 2	
BACK PLATE ASSEMBLED TO 140G-K-4P CB		Size D	Ver 00
Drawn by: UMUNUSW	Date: 10-28-13	10000850641	

1 2 3 4 5 6 7 8

A
B
C
D
E
F
G
H



ITEM 2 : INSULATION BACK PLATE 3 POLE
SCALE 1:20:1

		<small>CONFIDENTIAL AND PROPRIETARY INFORMATION THIS DOCUMENT CONTAINS CONFIDENTIAL AND PROPRIETARY INFORMATION OF ROCKWELL AUTOMATION, INC. AND MAY NOT BE USED, COPIED OR DISCLOSED TO OTHERS, EXCEPT WITH THE AUTHORIZED WRITTEN PERMISSION OF ROCKWELL AUTOMATION, INC.</small>	
		Sheet 2 Of 2	
BACK PLATE ASSEMBLED TO 140G-K-4P CB		Size D	Ver 00
Drawn by: UMUNUSW	Date: 10-28-13	10000850641	