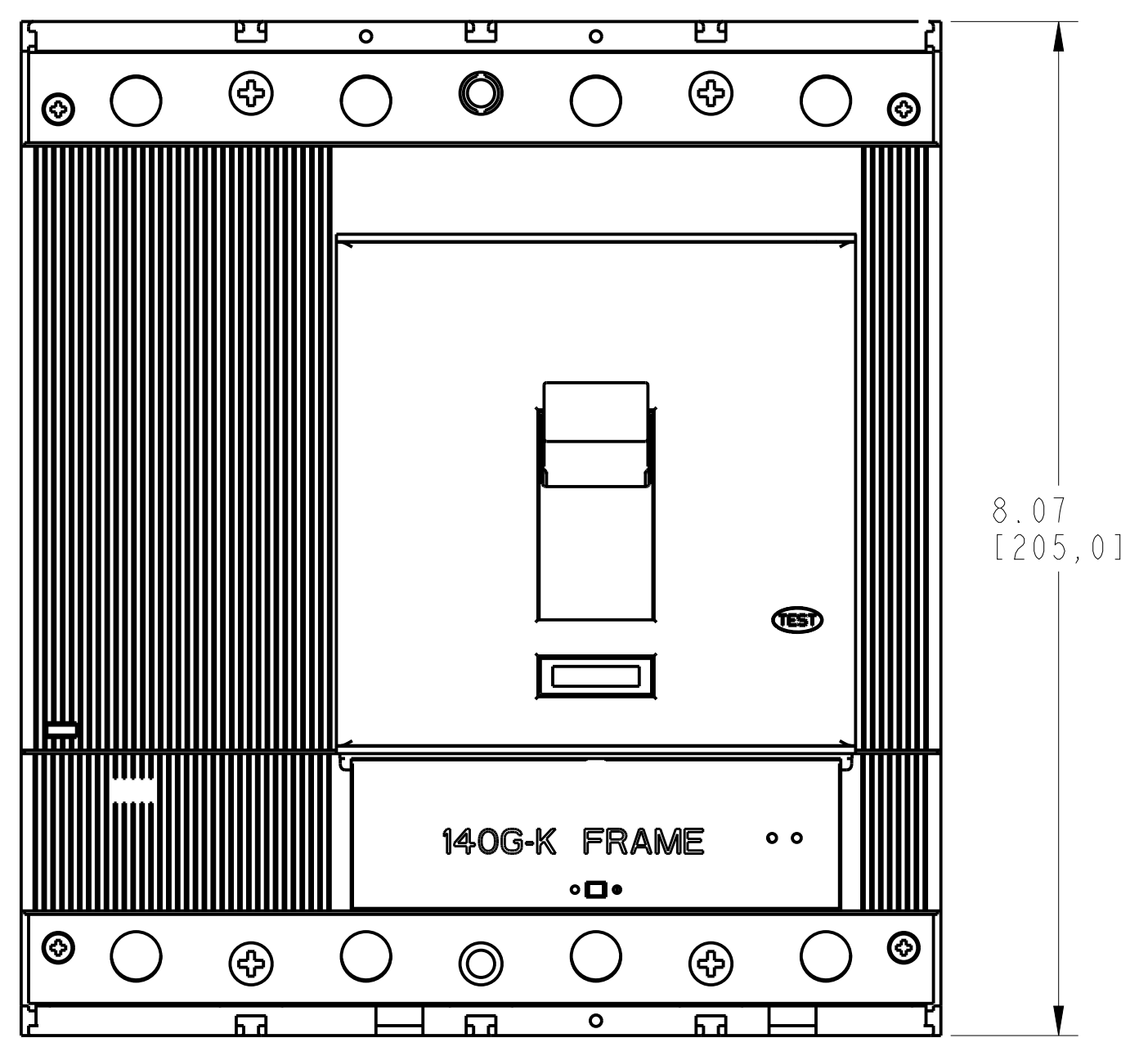
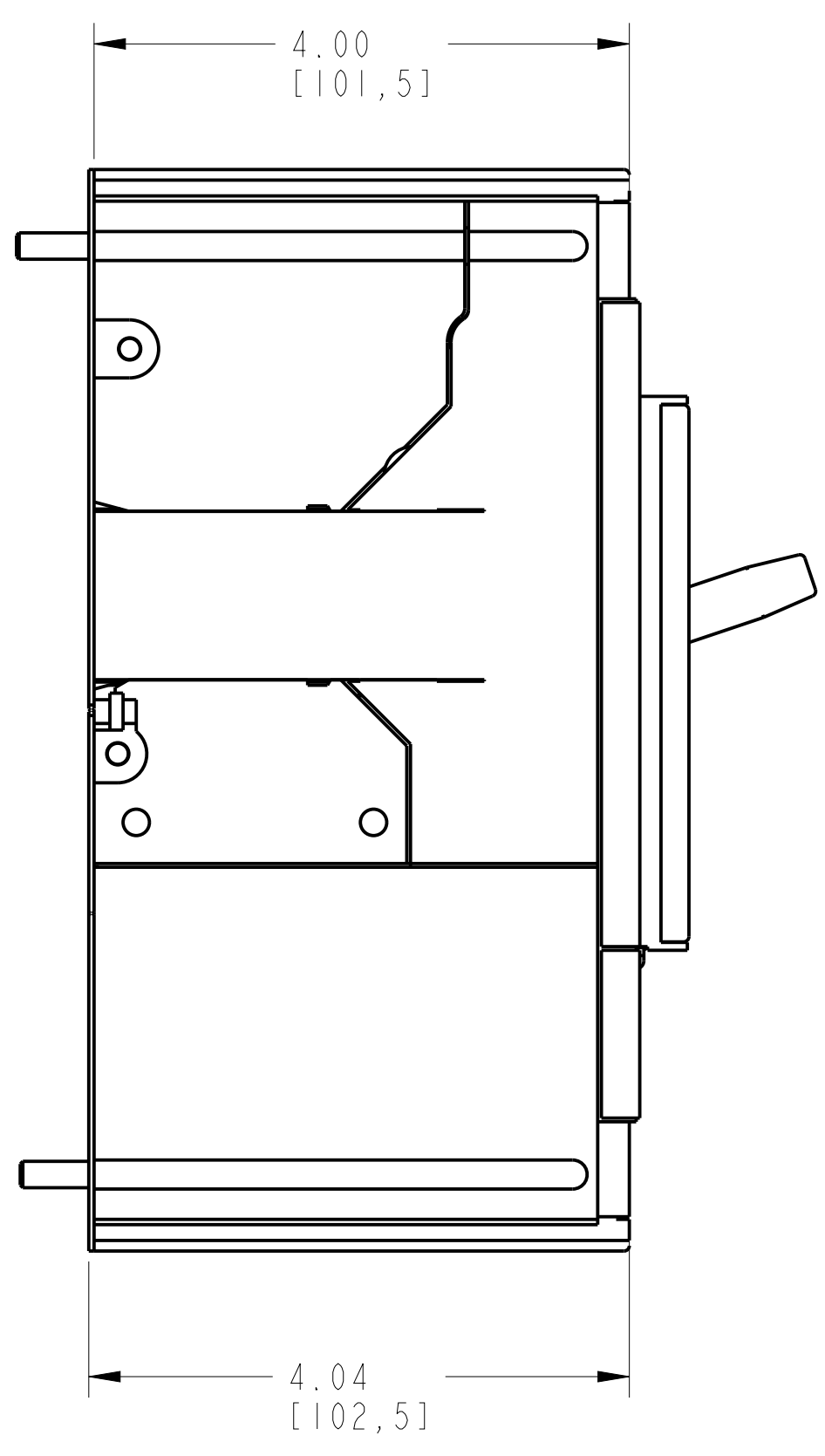
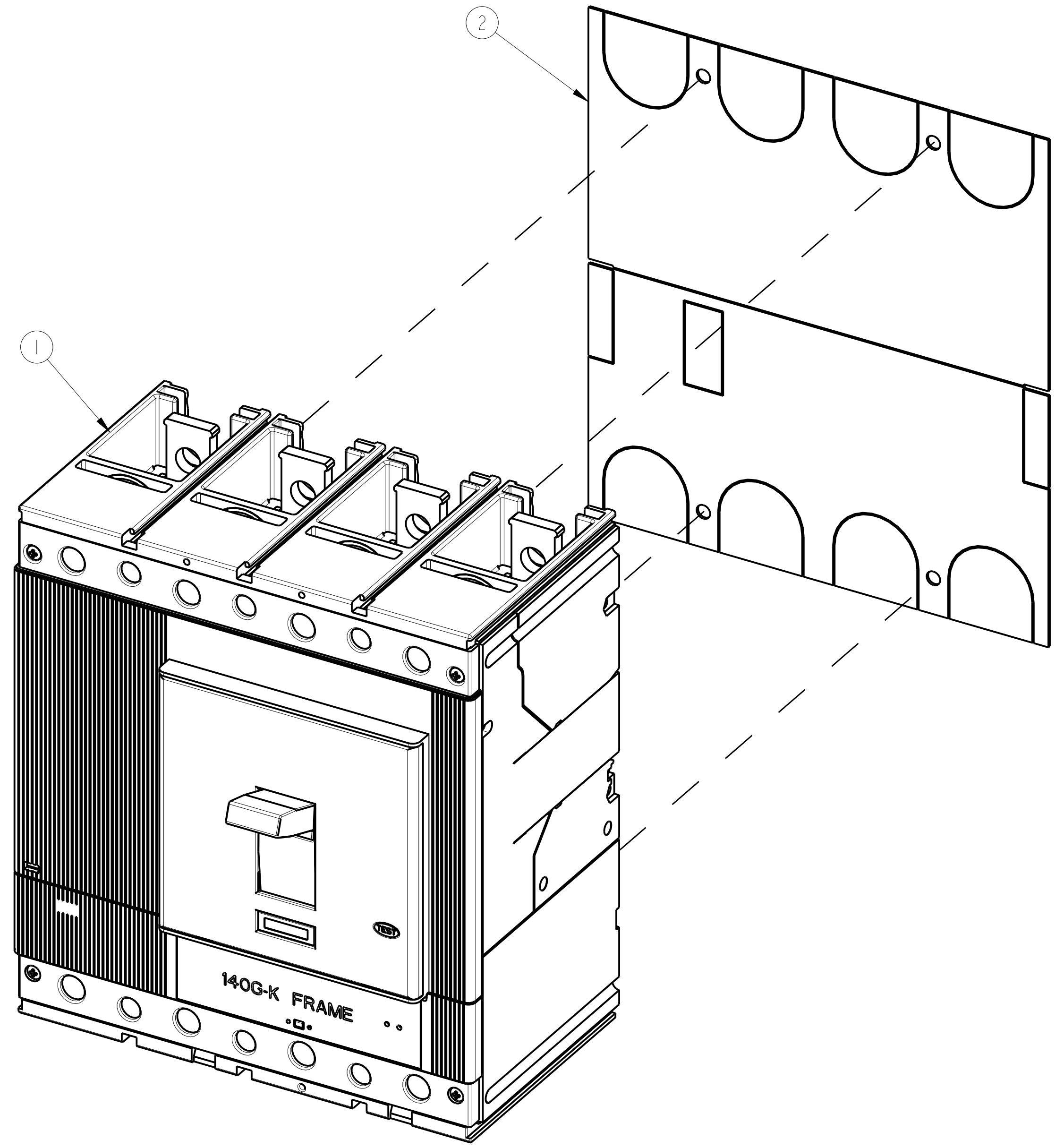
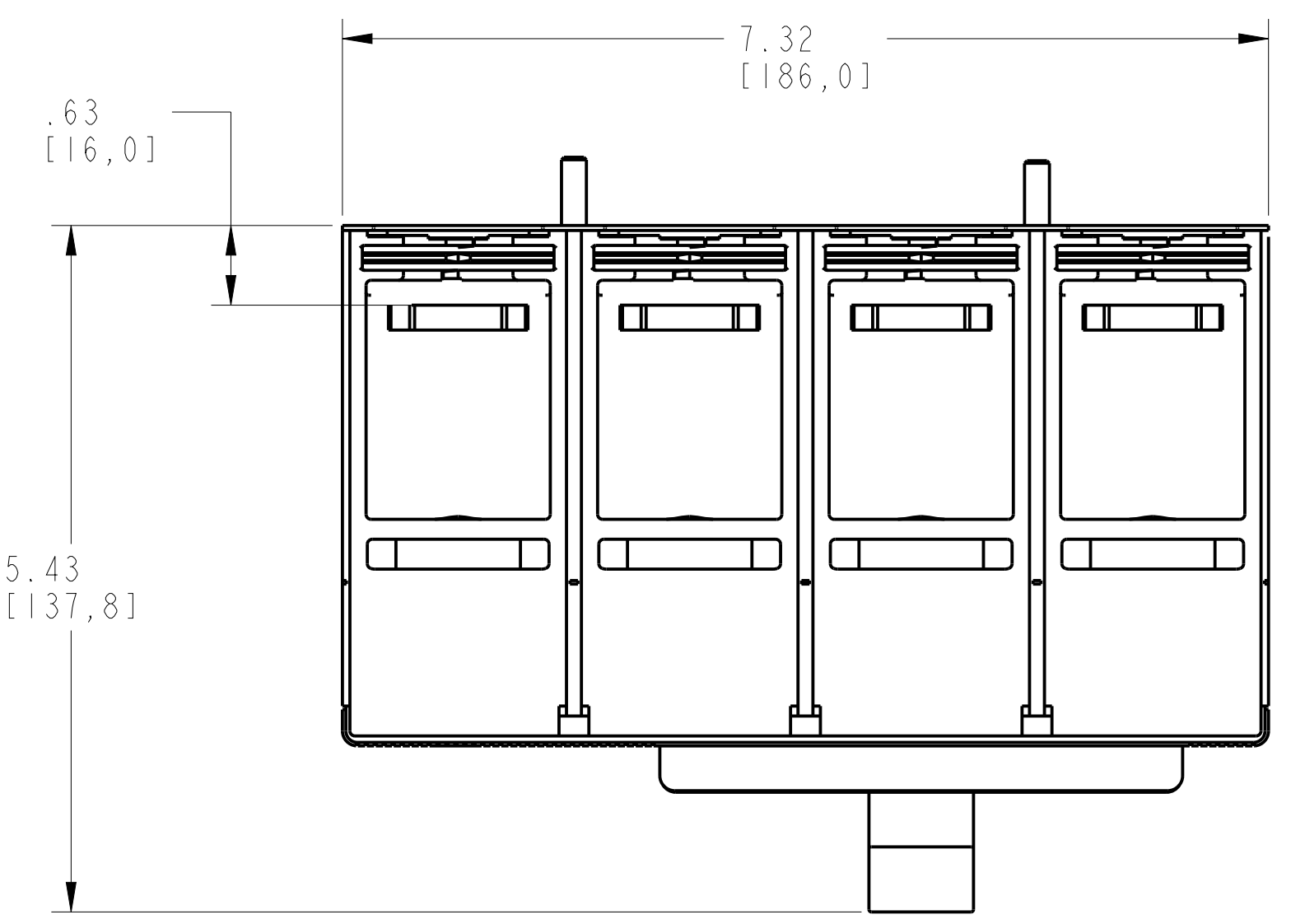


1 2 3 4 5 6 7 8

INSULATION BACK PLATE 4 POLE ASSEMBLY

ITEM	DESCRIPTION	QTY	AB CAT NUMBER
1	MOLDED CASE CIRCUIT BREAKER	1	140G-K-4P CB
2	INSULATION BACK PLATE 4 POLE	1	140G-K-BP4

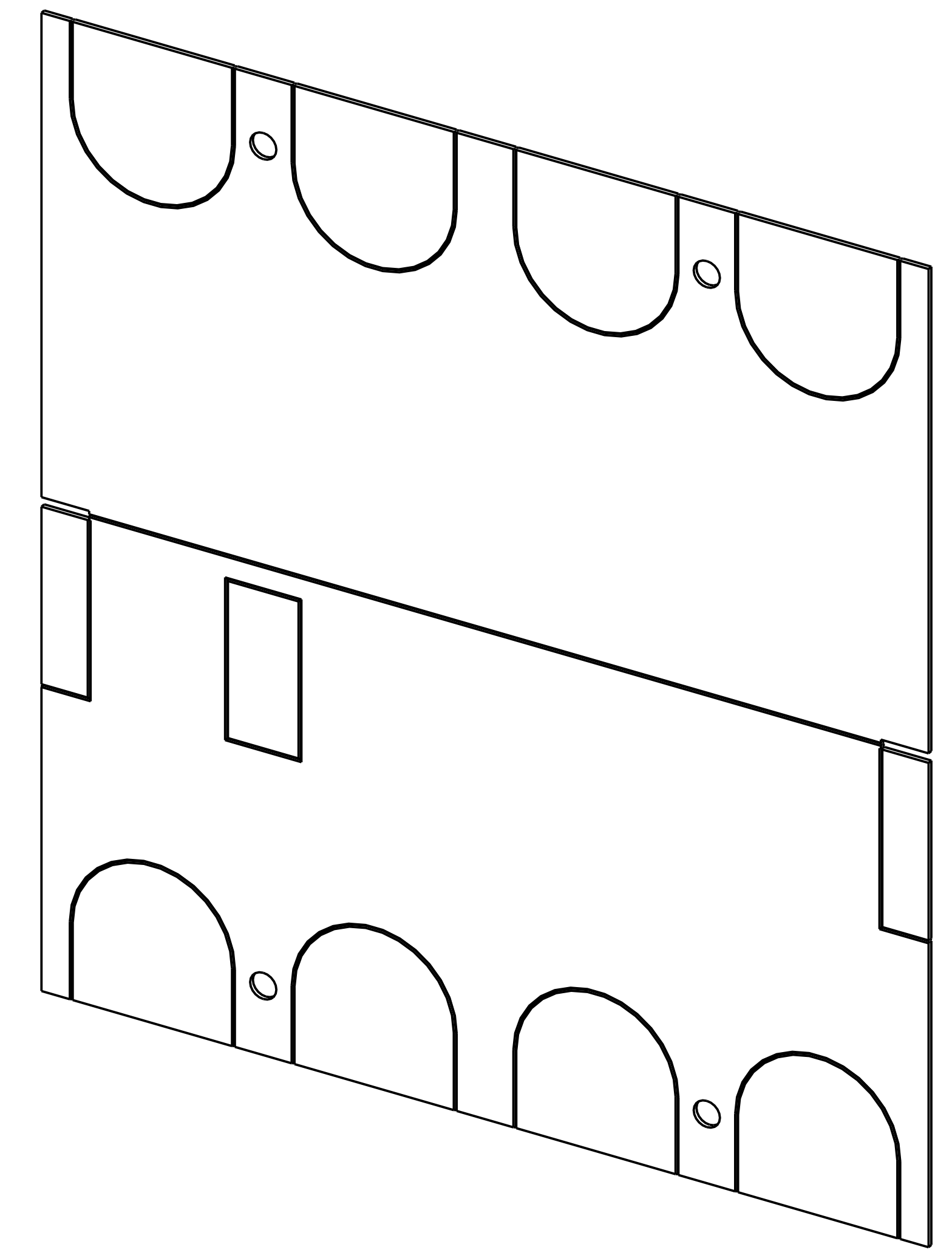
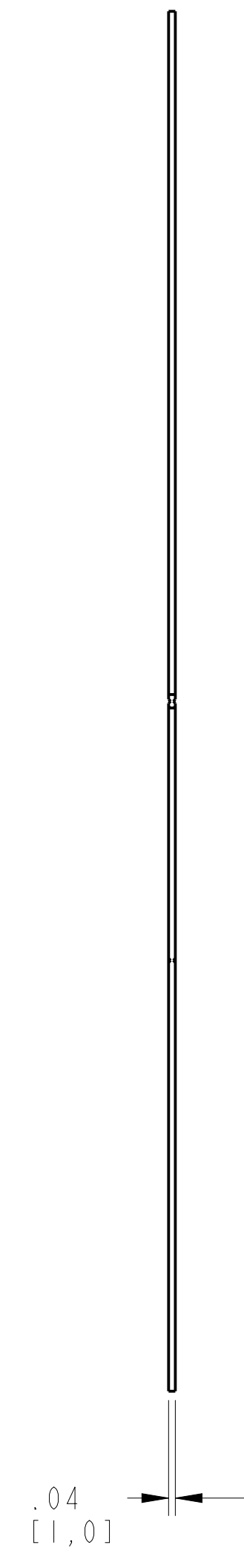
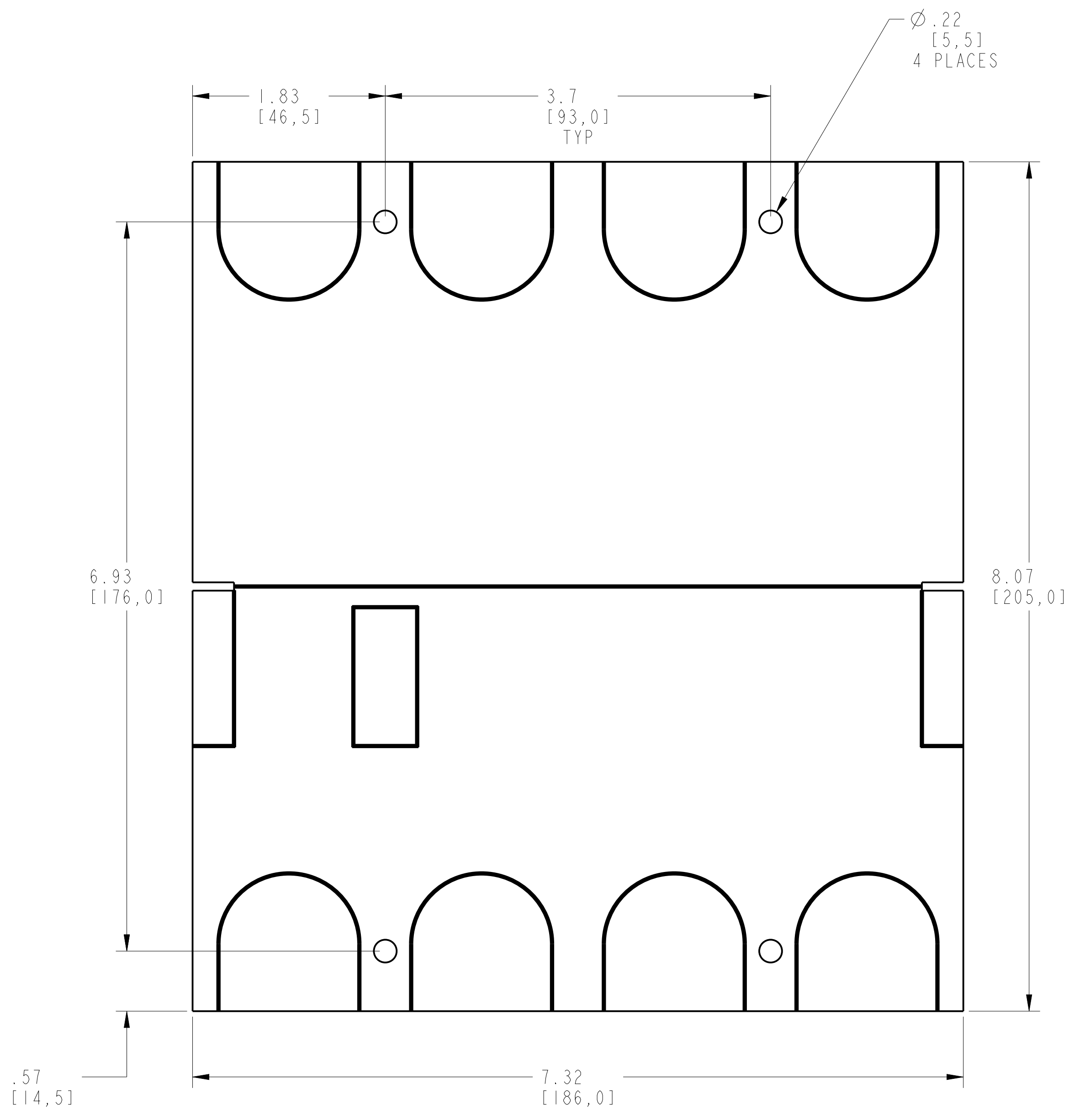


INSULATION BACK PLATE 4 POLE ASSEMBLED TO 140G-K-4-POLE  
SCALE 0.80:1

		<small>CONFIDENTIAL AND PROPRIETARY INFORMATION. THIS DOCUMENT CONTAINS CONFIDENTIAL AND PROPRIETARY INFORMATION OF ROCKWELL AUTOMATION, INC. AND MAY NOT BE USED, COPIED OR DISCLOSED TO OTHERS, EXCEPT WITH THE AUTHORIZED WRITTEN PERMISSION OF ROCKWELL AUTOMATION, INC.</small>	
		Sheet 1 Of 2	
BACK PLATE FOR INSULATION ASSEMBLED TO 140G-K-4POLE CB		Size <b>D</b>	Ver <b>00</b>
Drawn by: UMUNUSW	Date: 10-17-13	1000850733	

1 2 3 4 5 6 7 8

A  
B  
C  
D  
E  
F  
G  
H



ITEM 2 : INSULATION BACK PLATE 4 POLE  
SCALE 1.2:1

		<small>CONFIDENTIAL AND PROPRIETARY INFORMATION. THIS DOCUMENT CONTAINS CONFIDENTIAL AND PROPRIETARY INFORMATION OF ROCKWELL AUTOMATION, INC. AND MAY NOT BE USED, COPIED OR DISCLOSED TO OTHERS, EXCEPT WITH THE AUTHORIZED WRITTEN PERMISSION OF ROCKWELL AUTOMATION, INC.</small>	
		Sheet 2 Of 2	
BACK PLATE FOR INSULATION ASSEMBLED TO 140G-K-4POLE CB		Size <b>D</b>	Ver <b>00</b>
Drawn by: UMUNUSW	Date: 10-17-13	<b>1000850733</b>	