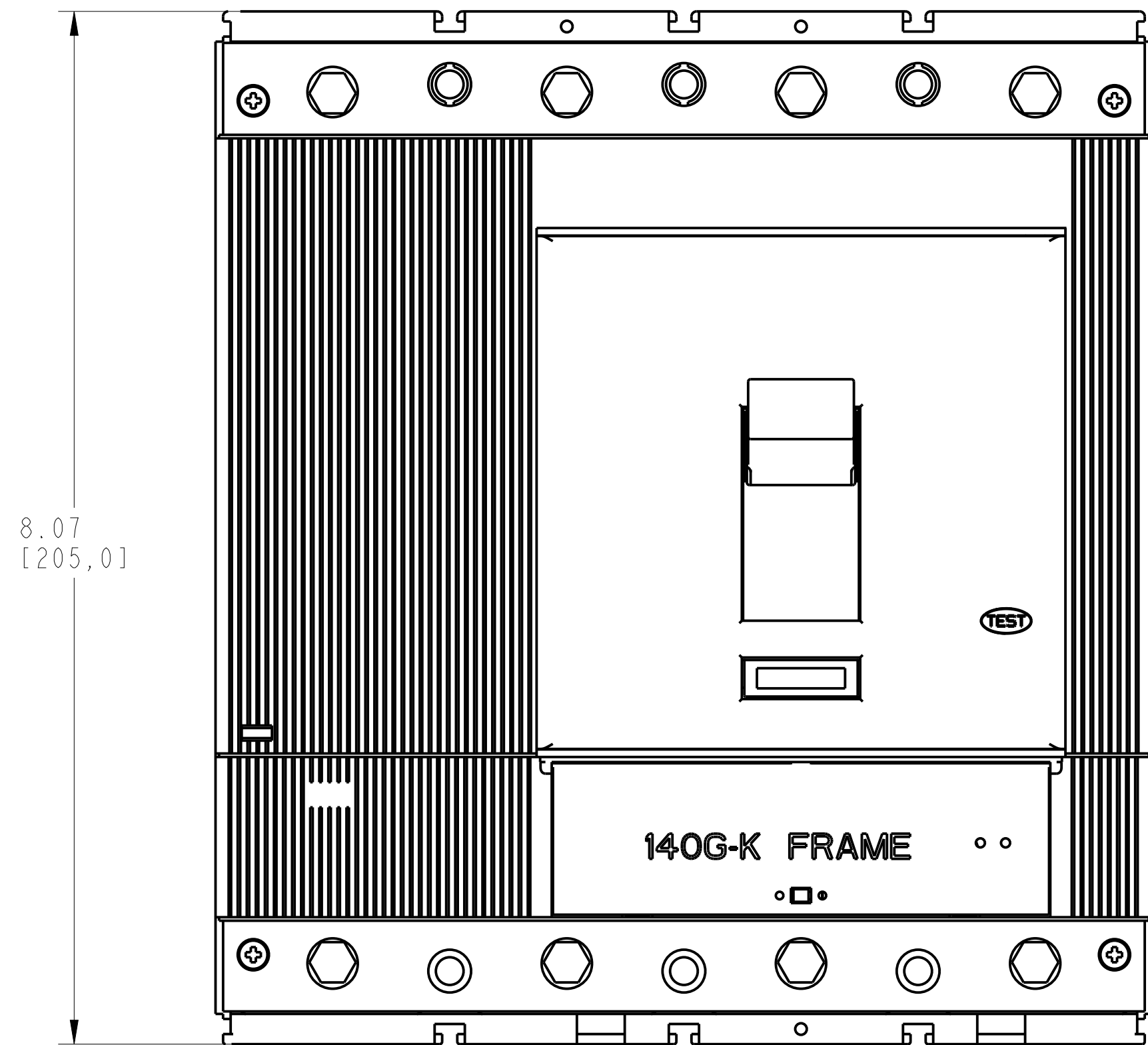
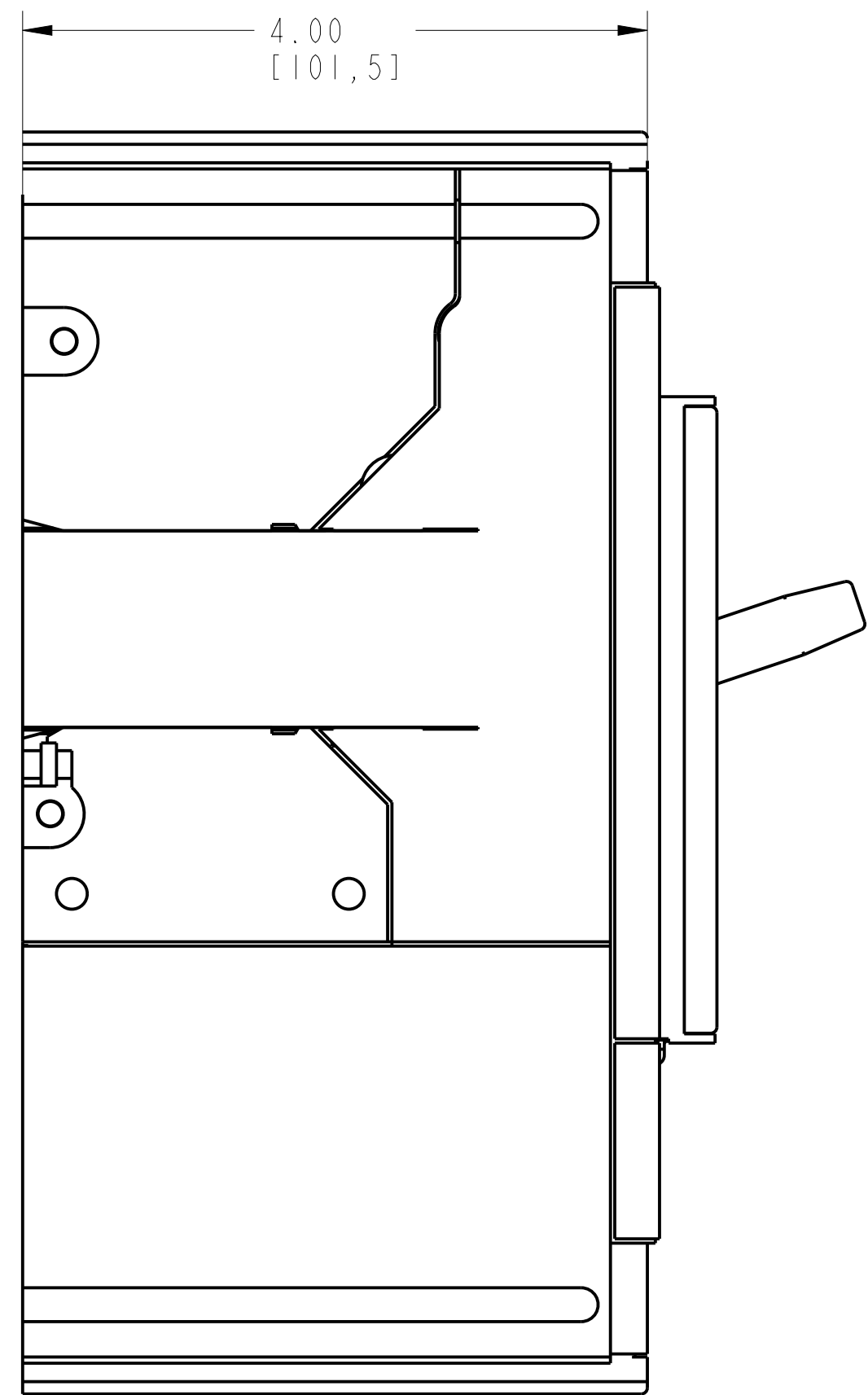
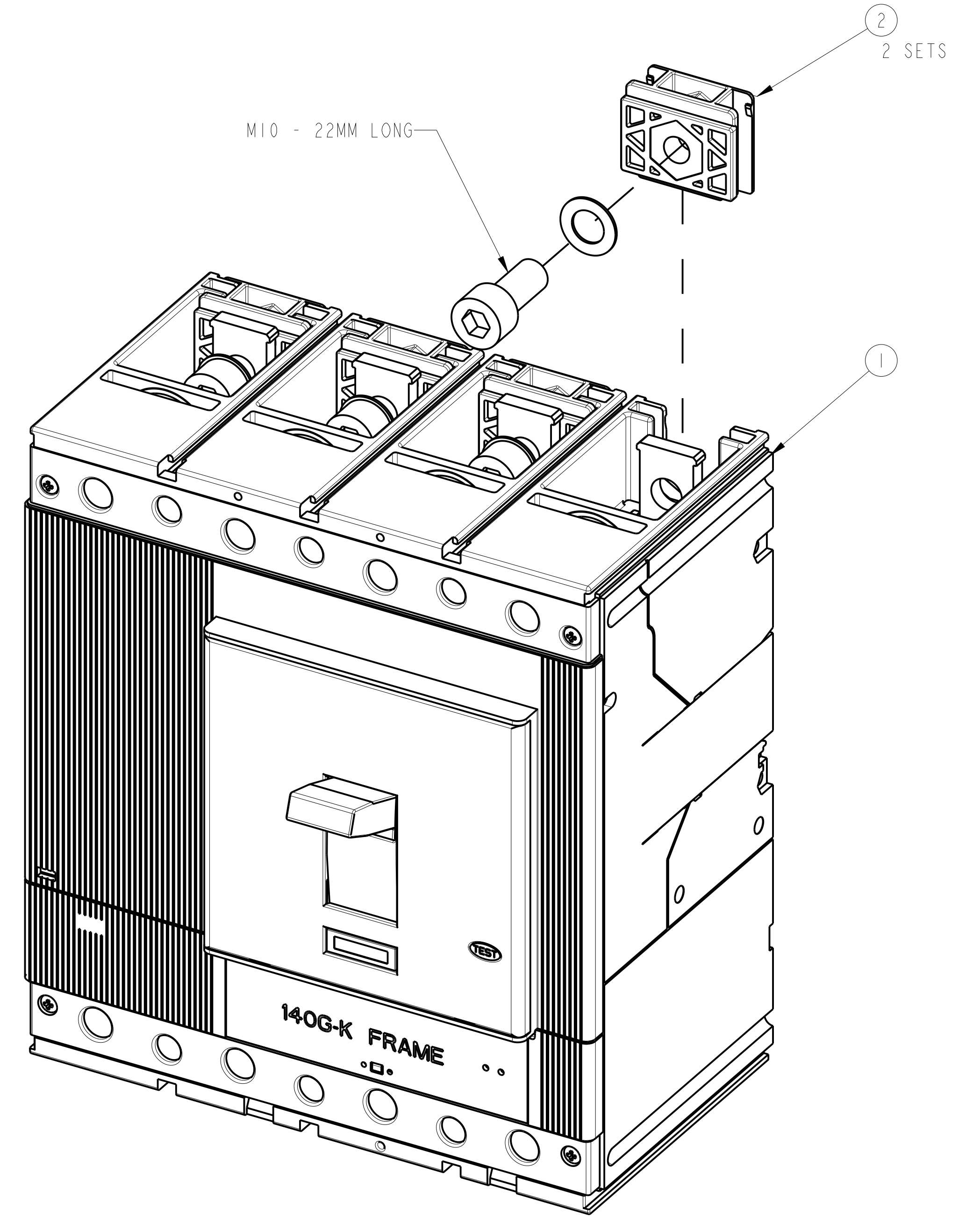
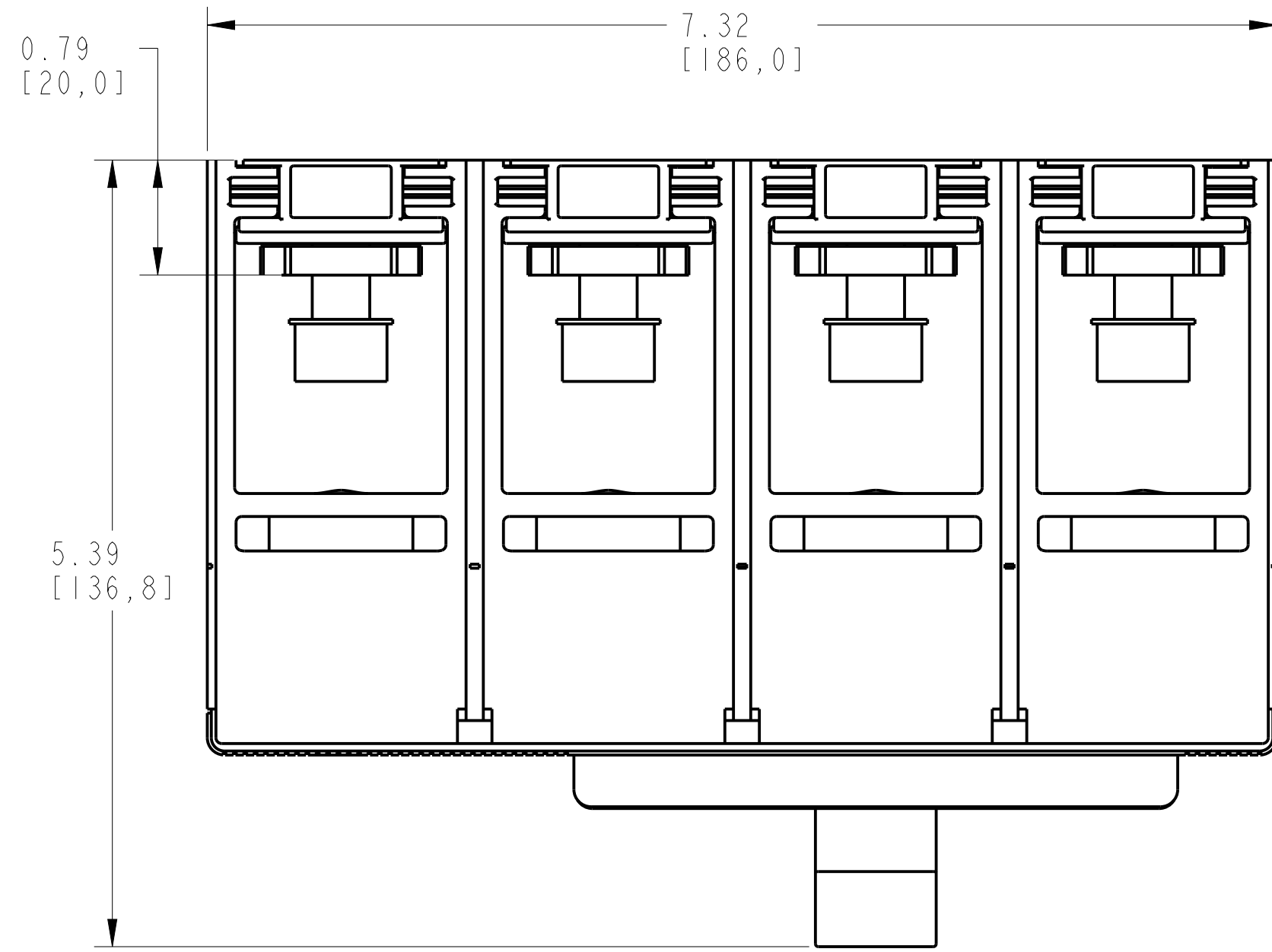
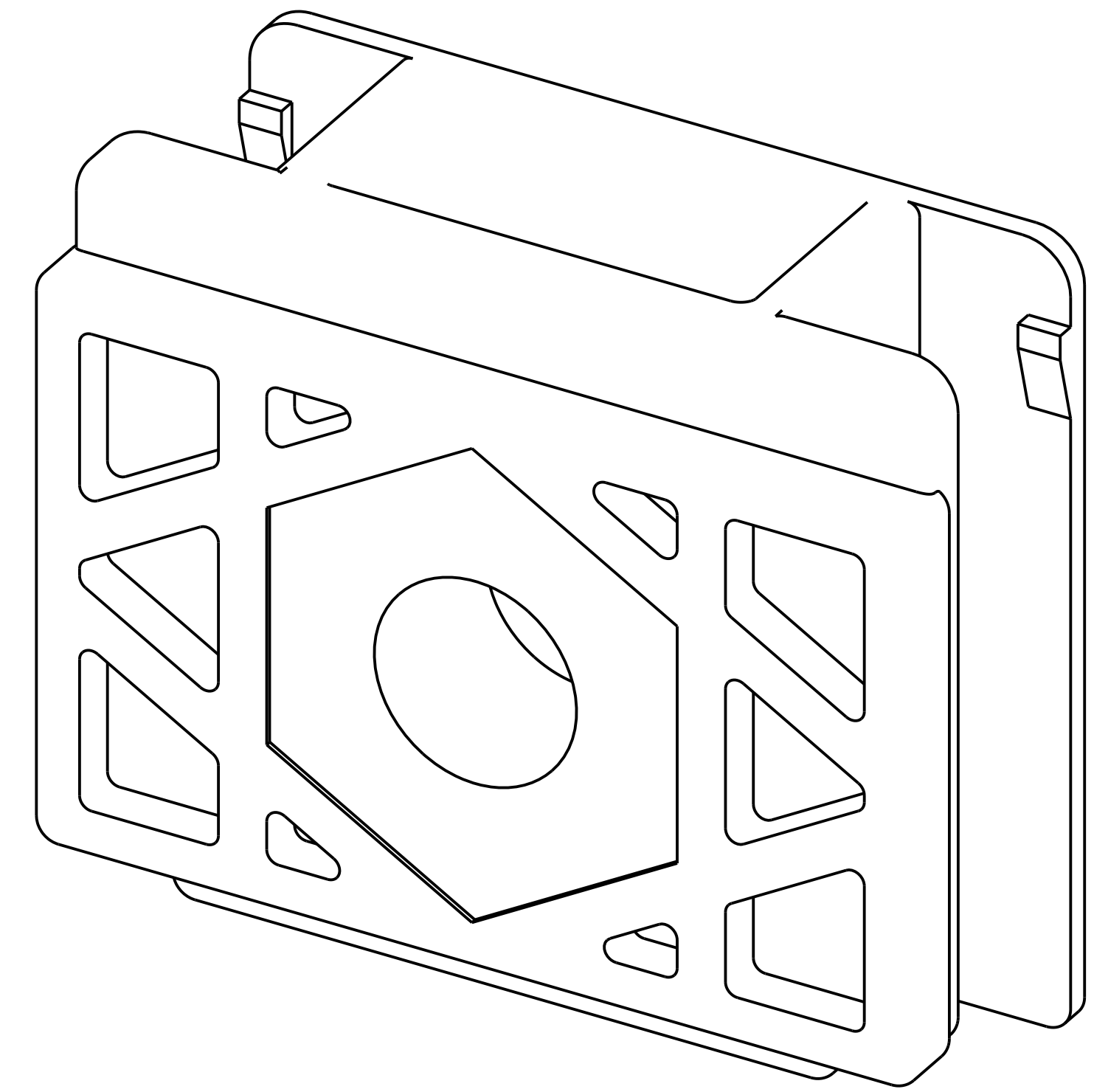
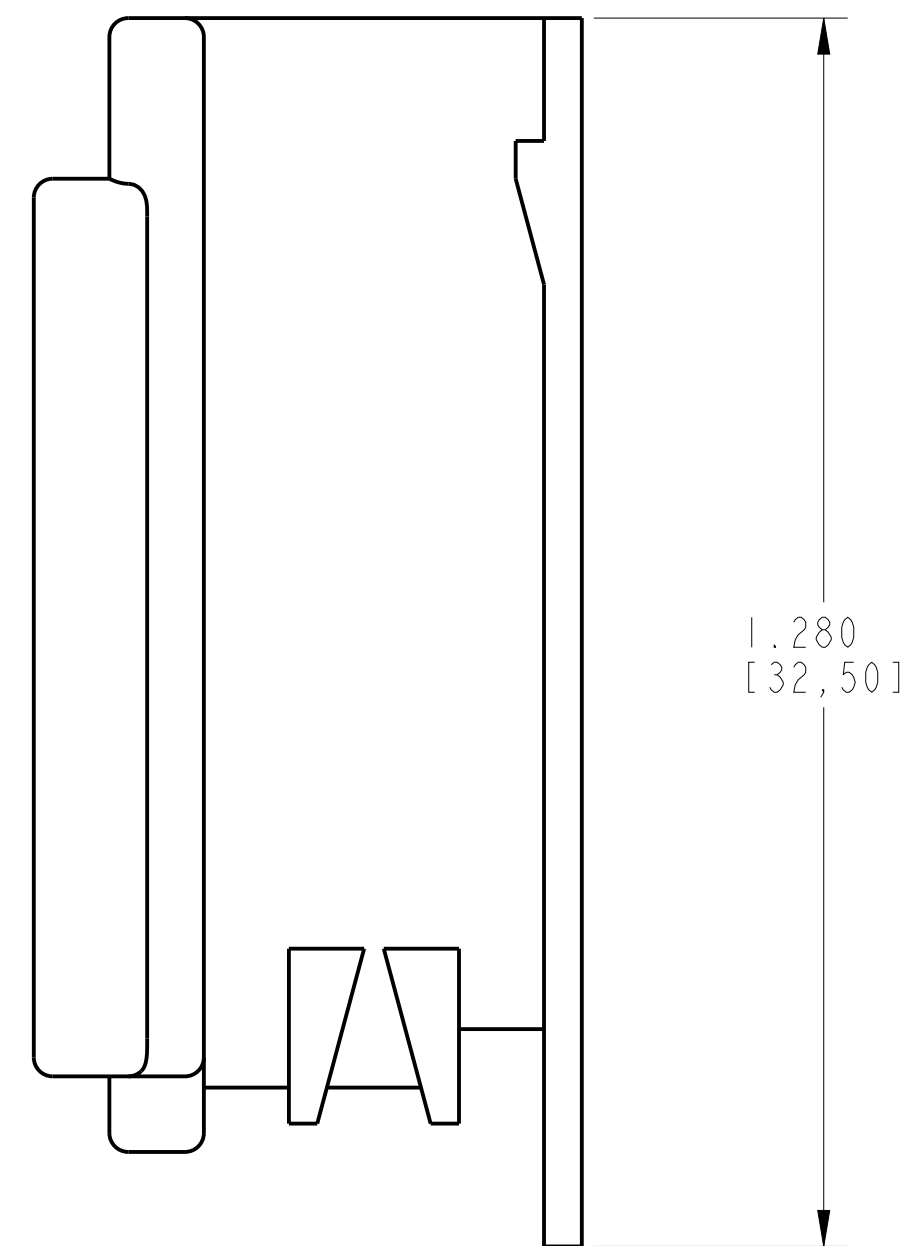
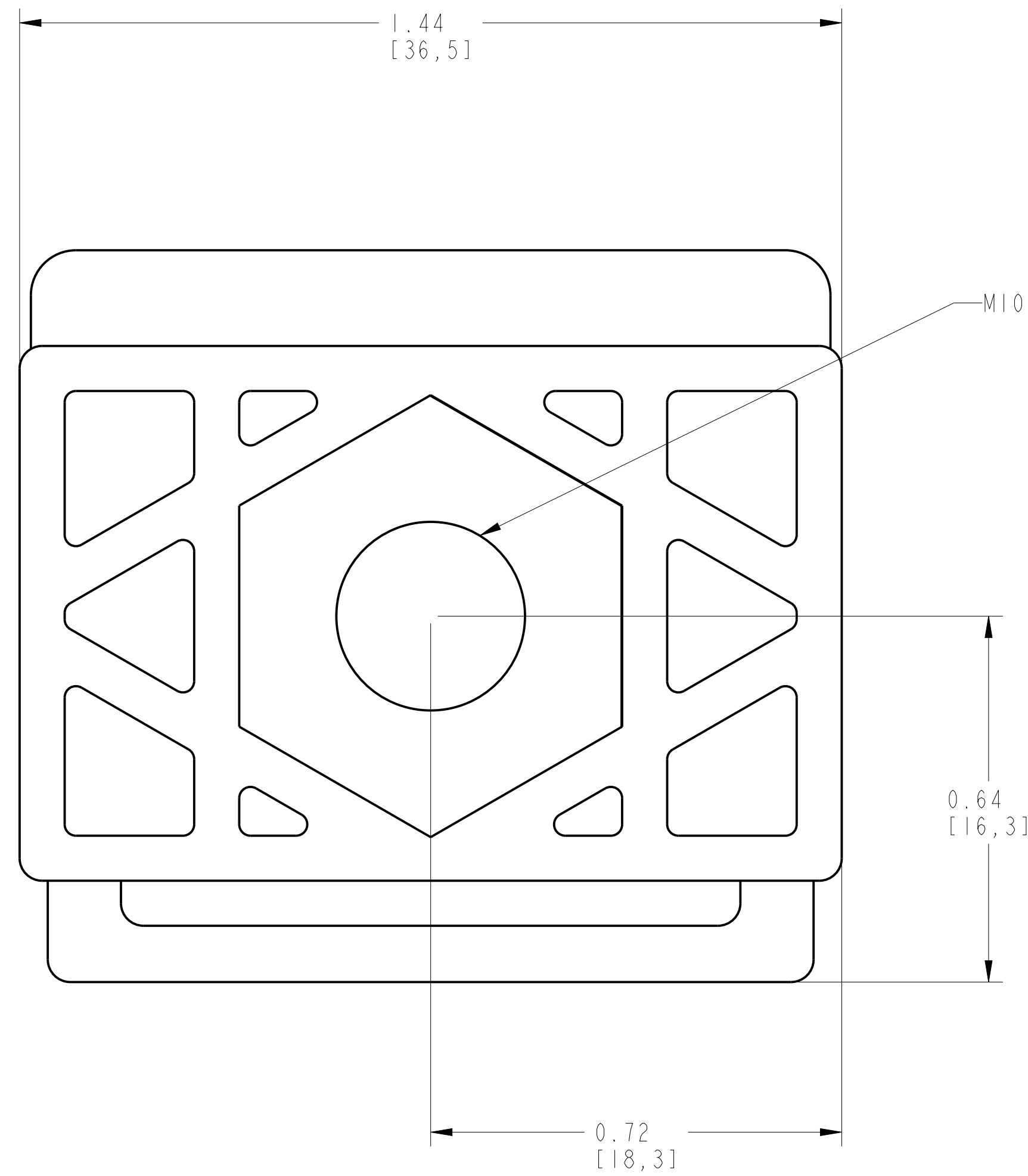
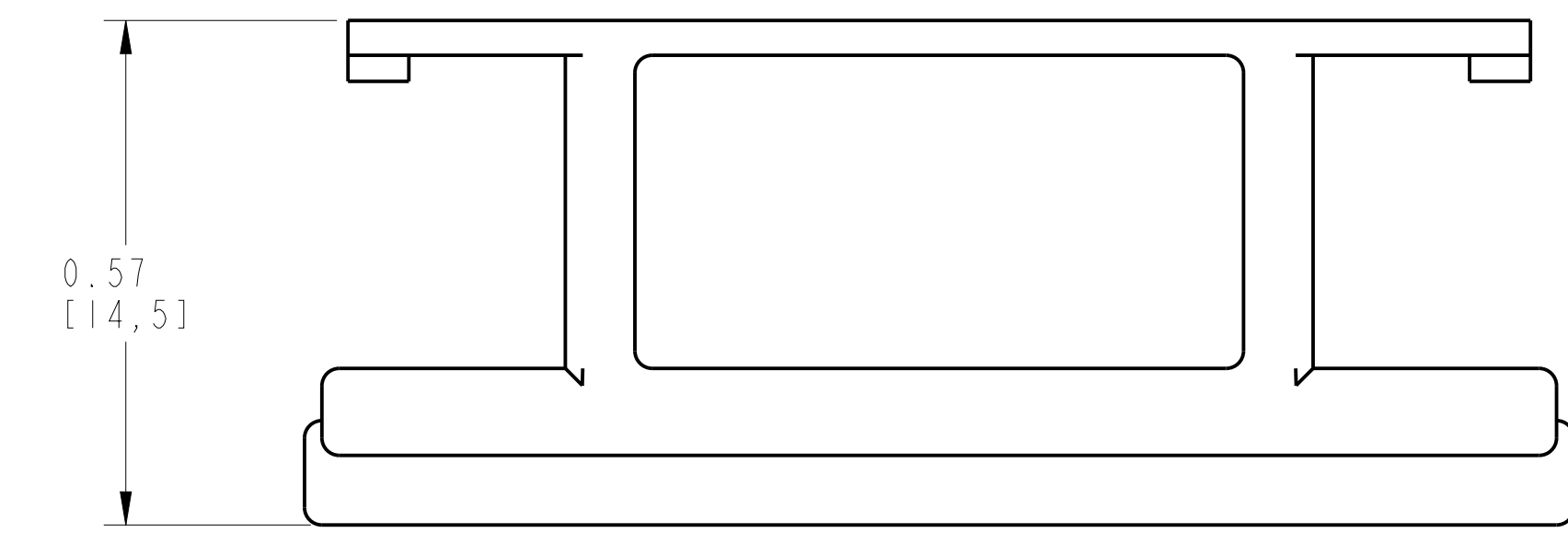


ENDCAP KIT ASSEMBLY			
ITEM	DESCRIPTION	QTY	AB CAT NUMBER
1	MOLDED CASE CIRCUIT BREAKER	1	140G-K-4P CB
2	ENDCAP KIT (4 PCS)	2 SETS	140G-K-ECM4



ENDCAP KIT ASSEMBLED TO 140G-K-4-POLE
SCALE 1:1



ISOMETRIC VIEW

ITEM 2 : ENDCAP KIT
SCALE 5:1

		<small>CONFIDENTIAL AND PROPRIETARY INFORMATION THIS DOCUMENT CONTAINS CONFIDENTIAL AND PROPRIETARY INFORMATION OF ROCKWELL AUTOMATION, INC. AND MAY NOT BE USED, COPIED OR DISCLOSED TO OTHERS, EXCEPT WITH THE AUTHORIZED WRITTEN PERMISSION OF ROCKWELL AUTOMATION, INC.</small>	
		Sheet 2 Of 2	
ENDCAP KIT ASSEMBLED TO 140G-K-4P CB		Size D	Ver 00
Drawn by: UMUNUSW	Date: 10-16-13	10000911319	