

1 2 3 4 5 6 7 8

FRONT SPREADER TERMINAL (UP/LOW) 3P ASSEMBLY

ITEM	DESCRIPTION	QTY	AB CAT NUMBER
1	MOLDED CASE CIRCUIT BREAKER	1	140G-K-3P CB
2	FRONT SPREADER TERMINAL (UP/LOW) 3P (3 PCS)	2 SETS	140G-K-EXS3
3	PHASE BARRIERS LOW 3 POLE (2 PCS)	2 SETS	140G-K-PB3L
4	INSULATION BACK PLATE 3P (2 PCS)	1 SET	-
5	ENDCAP ASSEMBLY (3 PCS)	2 SETS	-

B

C

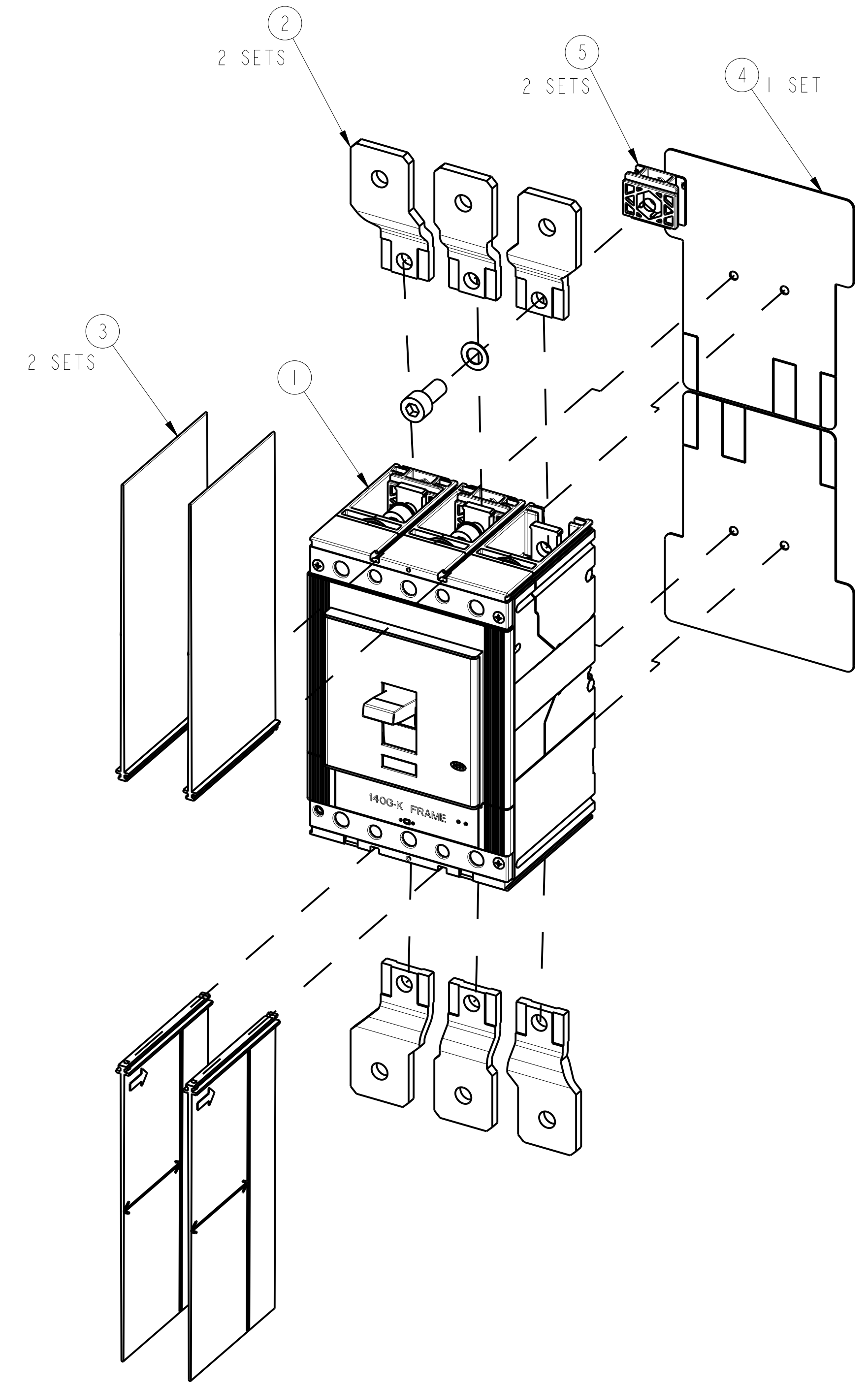
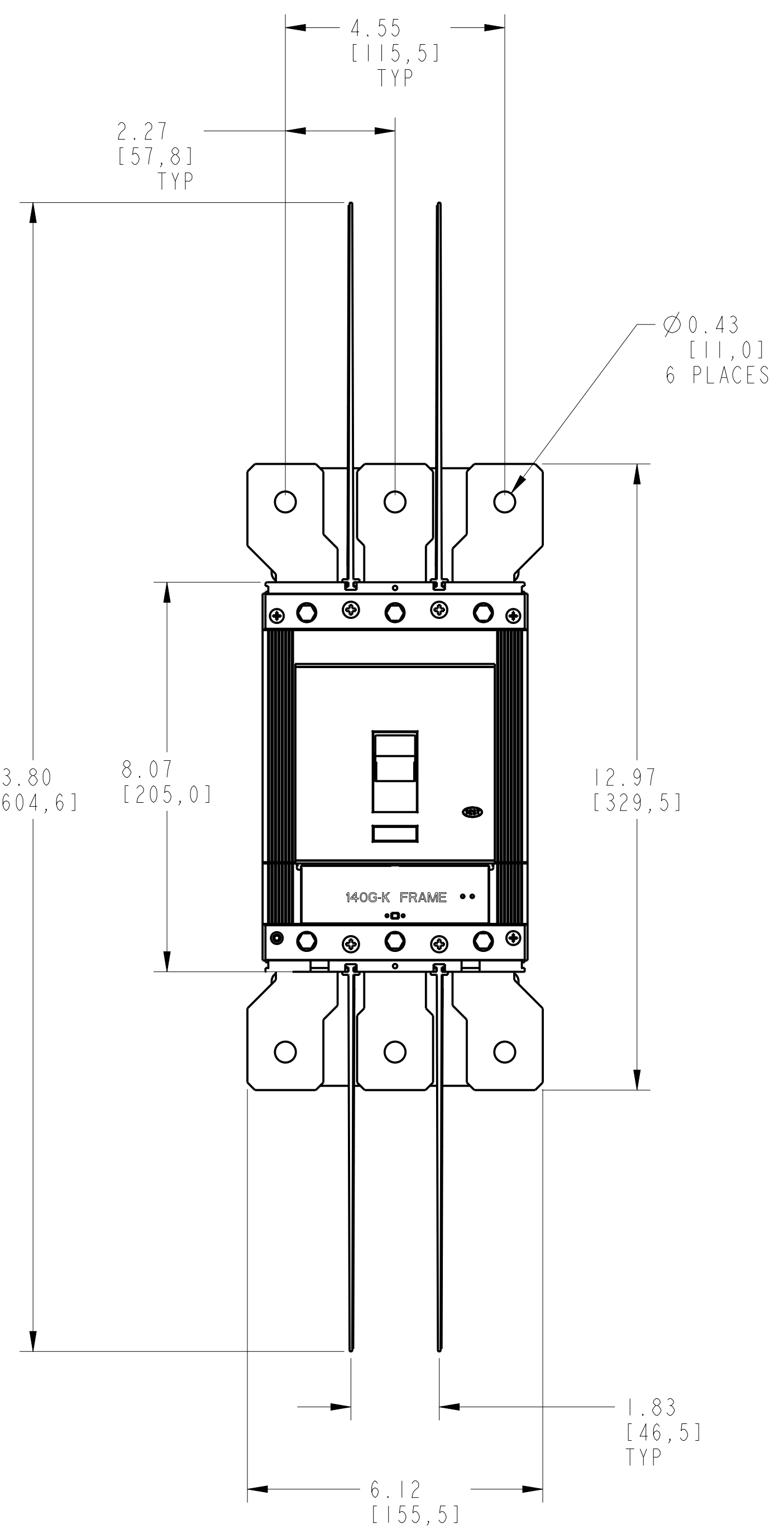
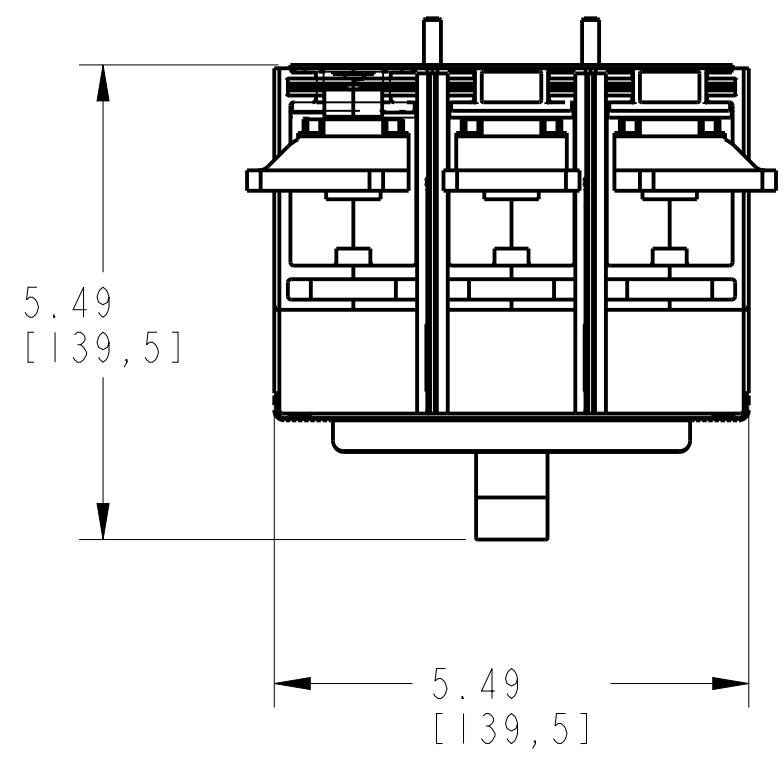
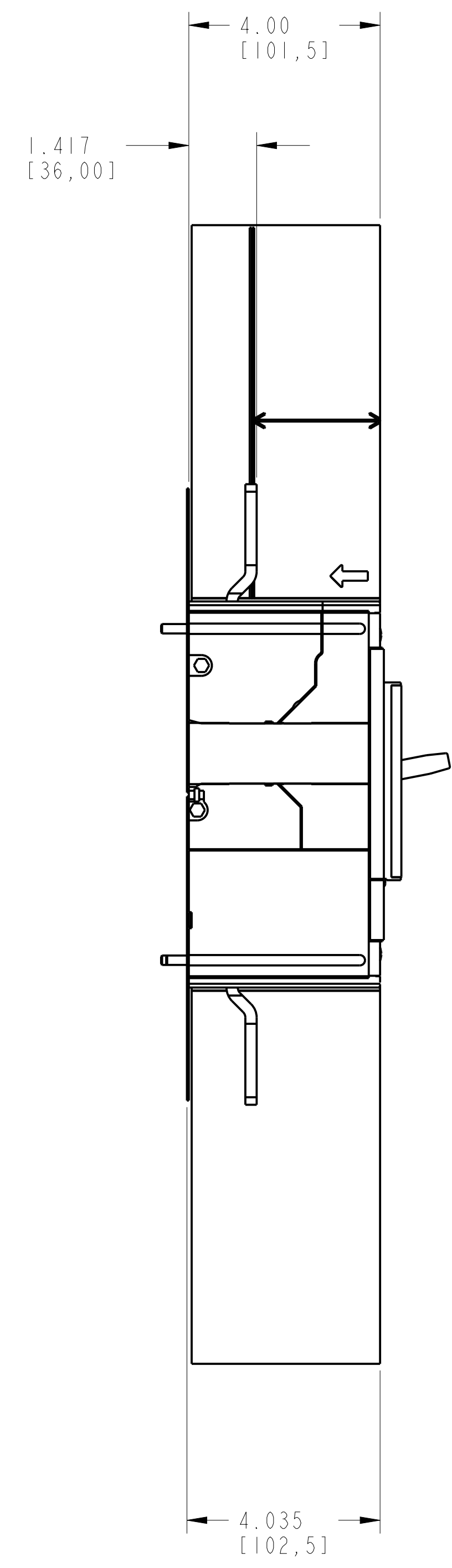
D

E

F

G

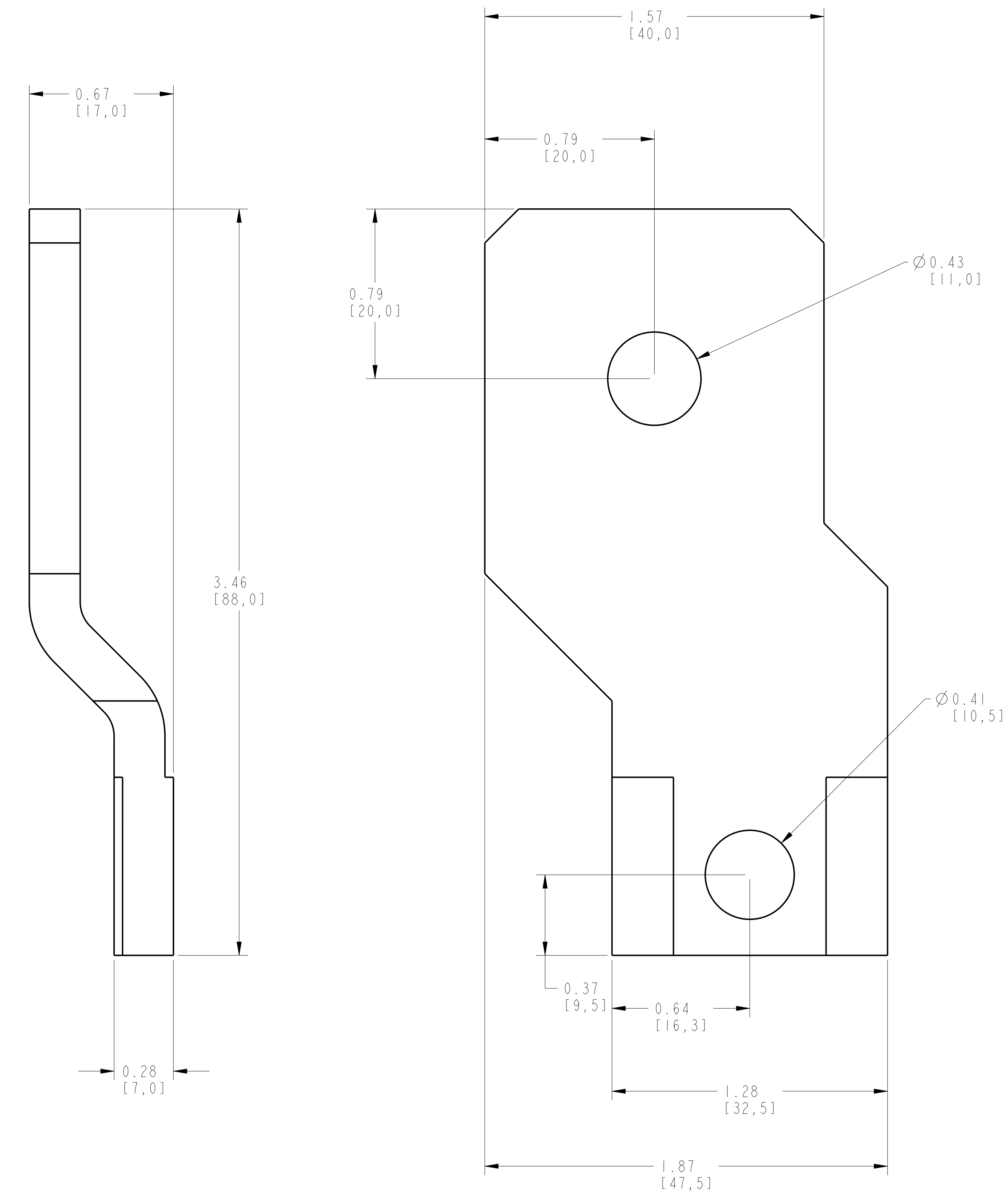
H



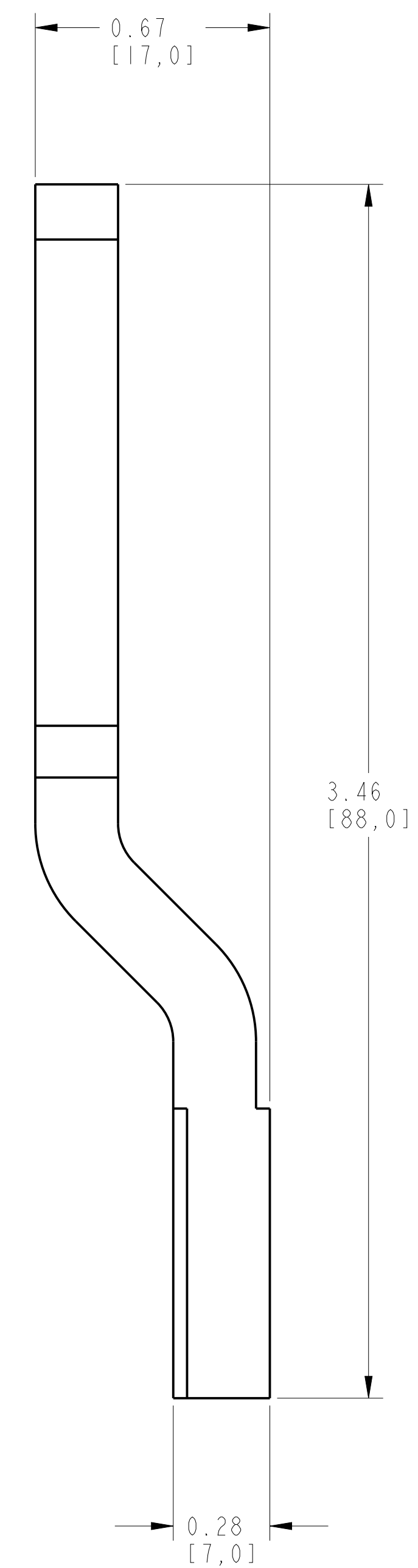
FRONT SPREADER TERMINAL (UP/LOW) ASSEMBLED TO 140G-K-3-POLE

SCALE 0.45:1

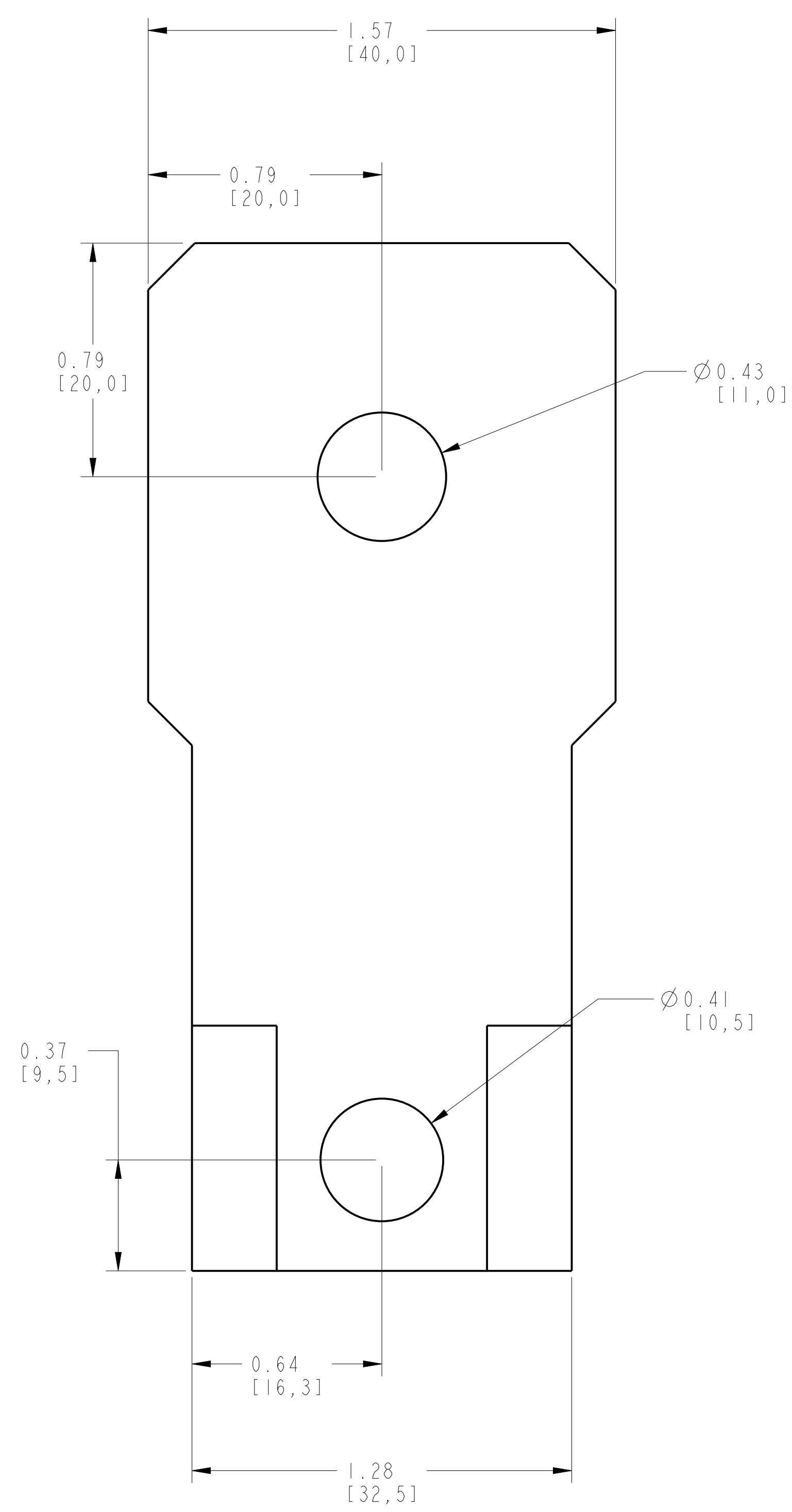
		<small>CONFIDENTIAL AND PROPRIETARY INFORMATION. THIS DOCUMENT CONTAINS CONFIDENTIAL AND PROPRIETARY INFORMATION OF ROCKWELL AUTOMATION, INC. AND MAY NOT BE USED, COPIED OR DISCLOSED TO OTHERS, EXCEPT WITH THE AUTHORIZED WRITTEN PERMISSION OF ROCKWELL AUTOMATION, INC.</small>	
		Sheet 1 Of 2	
SPRDR TRMNL ASSEMBLED TO 140G-K-3P CB		Size D	Ver 00
Drawn by: UMUNUSW	Date: 10-24-13	10000911416	



ITEM 2 : FRONT SPREADER TERMINAL LH/RH END
SCALE 3:1



ITEM 2 : FRONT SPREADER TERMINAL MIDDLE
SCALE 3:1



Rockwell Automation

SPRDR TRMNL ASSEMBLED TO 140G-K-3P CB

Drawn by: UMUNUSW Date: 10-24-13

CONFIDENTIAL AND PROPRIETARY INFORMATION
THIS DOCUMENT CONTAINS CONFIDENTIAL AND PROPRIETARY
INFORMATION OF ROCKWELL AUTOMATION, INC. AND MAY
NOT BE USED, COPIED OR DISCLOSED TO OTHERS, EXCEPT
WITH THE AUTHORIZED WRITTEN PERMISSION OF ROCKWELL
AUTOMATION, INC.

Sheet 2 Of 2

Size: **D** Part No: **10000911416** Ver: **00**